



US00D641600S

(12) **United States Design Patent**  
**Fukuda et al.**

(10) **Patent No.:** **US D641,600 S**  
(45) **Date of Patent:** **\*\* Jul. 19, 2011**

(54) **OPTICAL FIBER JACKET STRIPPER**

(75) Inventors: **Masakazu Fukuda**, Kanagawa (JP);  
**Masahiro Hasegawa**, Kanagawa (JP);  
**Kiyoshi Nakazawa**, Kanagawa (JP);  
**Toshihiko Honma**, Kanagawa (JP)

(73) Assignees: **Sumitomo Electric Industries, Ltd.**,  
Osaka (JP); **Sei Optifrontier Co., Ltd.**,  
Yokohama-shi, Kanagawa (JP)

(\*\*) Term: **14 Years**

(21) Appl. No.: **29/367,752**

(22) Filed: **Aug. 12, 2010**

(51) **LOC (9) Cl.** ..... **08-05**

(52) **U.S. Cl.** ..... **D8/29.1; D8/30**

(58) **Field of Classification Search** ..... D8/14,  
D8/14.1, 29.1, 29.2, 30, 51; 30/90.1, 90.3;  
81/9.4, 9.41-9.44; 219/221, 225-235, 240,  
219/241; 156/509

See application file for complete search history.

(56) **References Cited**

**U.S. PATENT DOCUMENTS**

2,385,353	A *	9/1945	Frankel	.....	156/509
2,721,602	A *	10/1955	Castedello et al.	.....	156/509
2,973,802	A *	3/1961	Moquist	.....	156/509
6,192,587	B1 *	2/2001	Thompson	.....	30/90.1
6,708,749	B2 *	3/2004	McLeod	.....	156/584

**OTHER PUBLICATIONS**

JR-5/B Heated Jacket Remover. Downloaded Mar. 9, 2011 at www.SumikmotoElectric.com.\*

\* cited by examiner

*Primary Examiner* — Phillip S Hyder

*Assistant Examiner* — Roselynn Cody

(74) *Attorney, Agent, or Firm* — Drinker Biddle & Reath LLP

(57) **CLAIM**

The ornamental design for an optical fiber jacket stripper, as shown and described.

**DESCRIPTION**

FIG. 1 is a perspective view of front, top plan and left side of an optical fiber jacket stripper showing our new design;

FIG. 2 is a front view thereof;

FIG. 3 is a rear view thereof;

FIG. 4 is a top plan view thereof;

FIG. 5 is a bottom view thereof;

FIG. 6 is a left side view thereof;

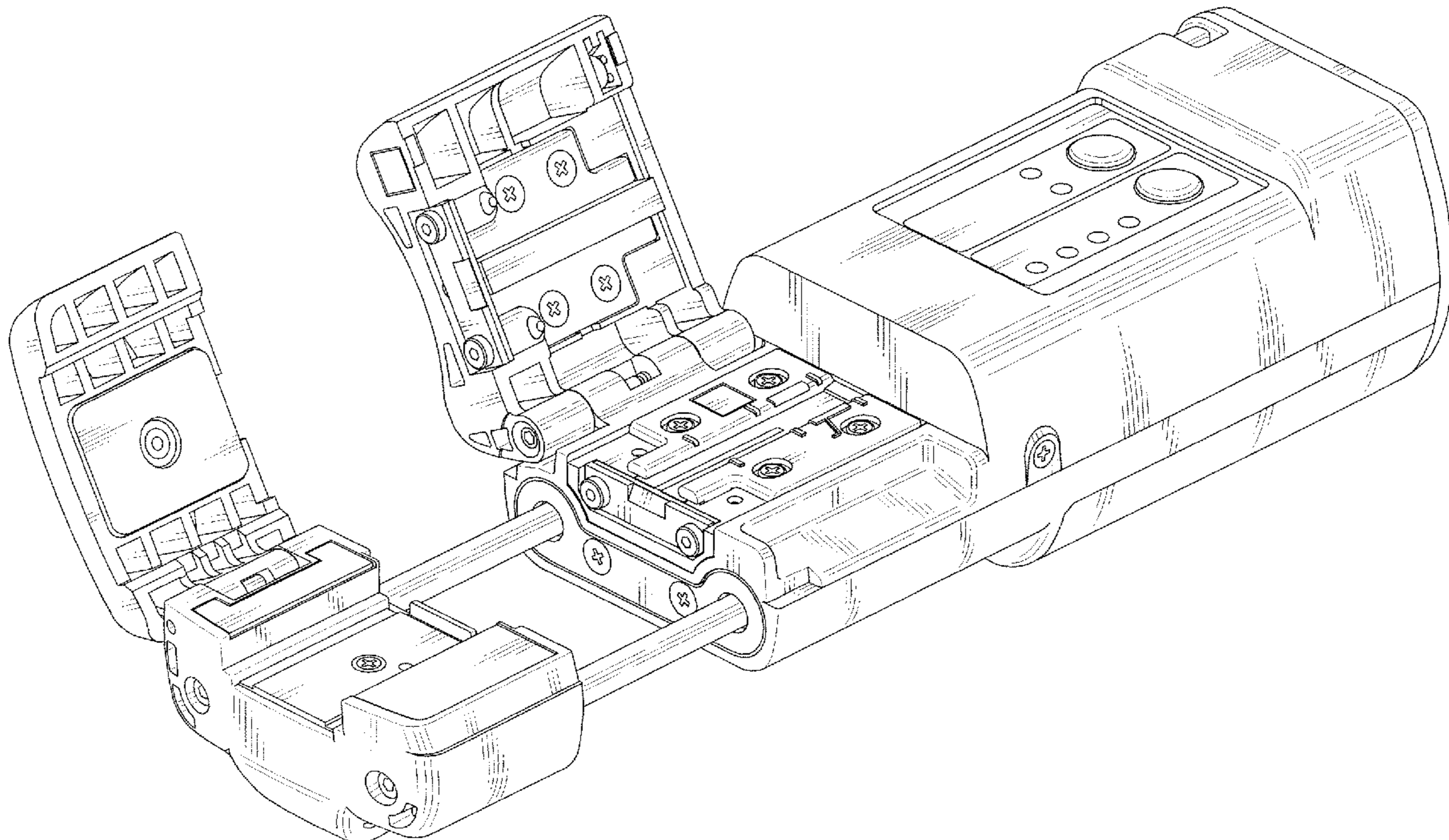
FIG. 7 is a right side view thereof;

FIG. 8 is a perspective reference view showing a state where a lid is opened and a slide portion is apart from a main body thereof; and,

FIG. 9 is a perspective reference view of usage thereof.

The portions of the article in broken lines are shown for illustrative purposes only and form no part of the claimed design.

**1 Claim, 6 Drawing Sheets**



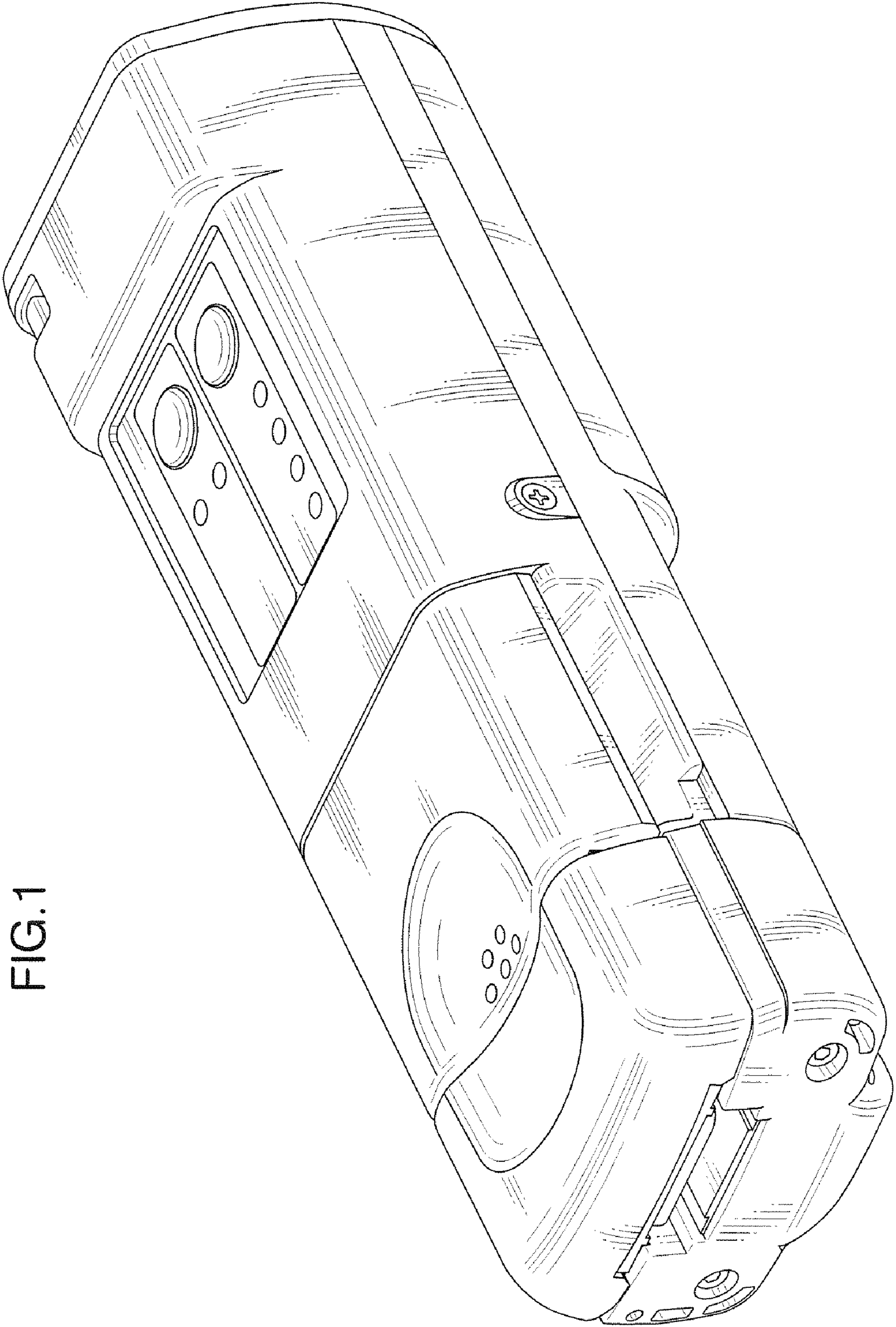


FIG.1

FIG.2

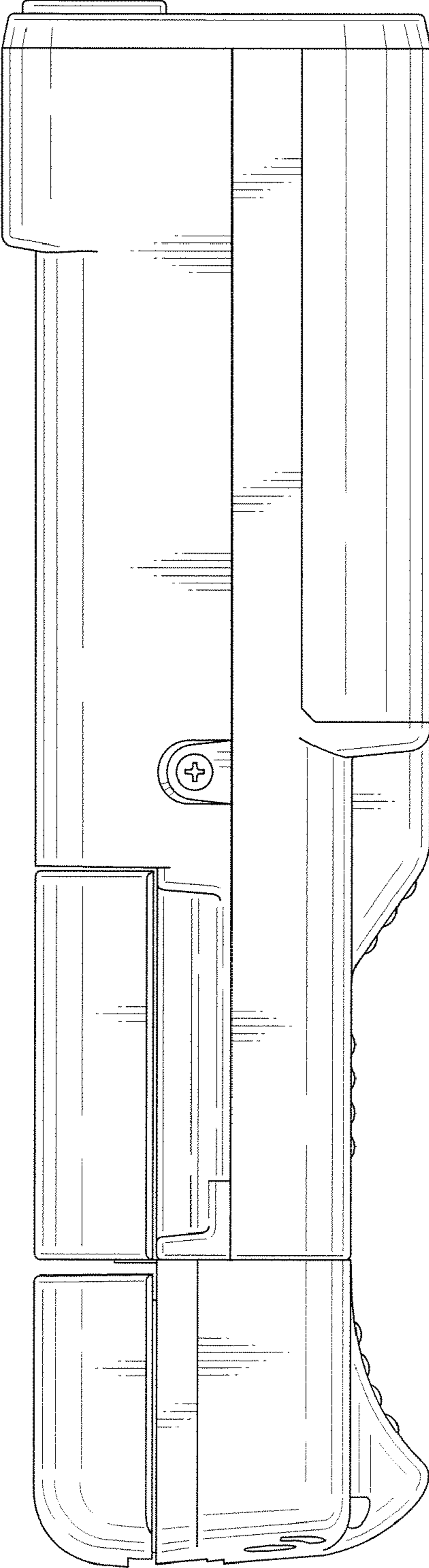


FIG.3

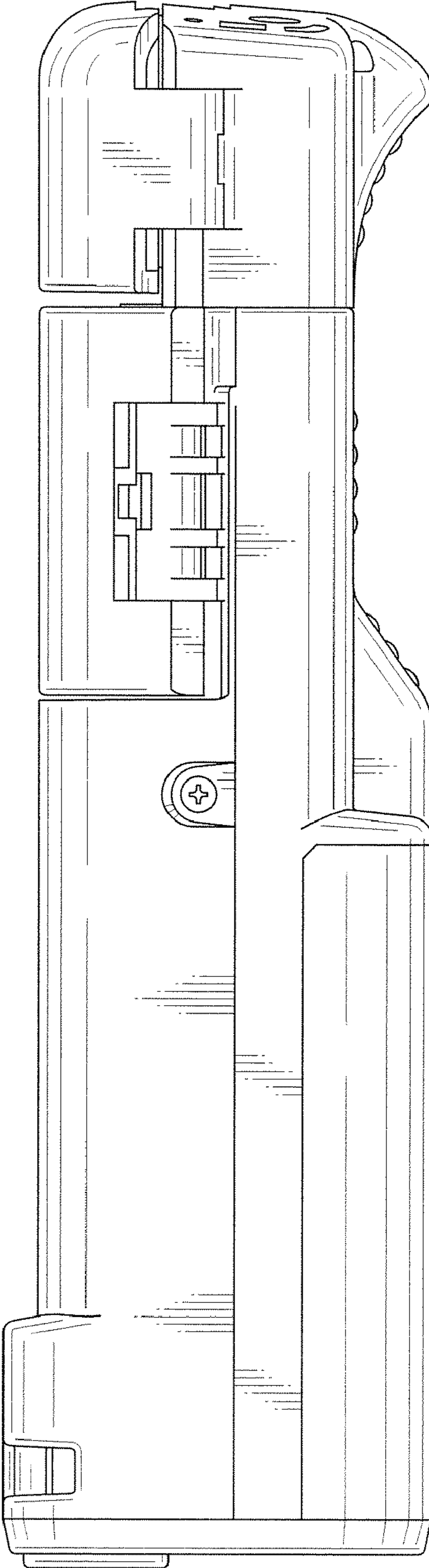


FIG.4

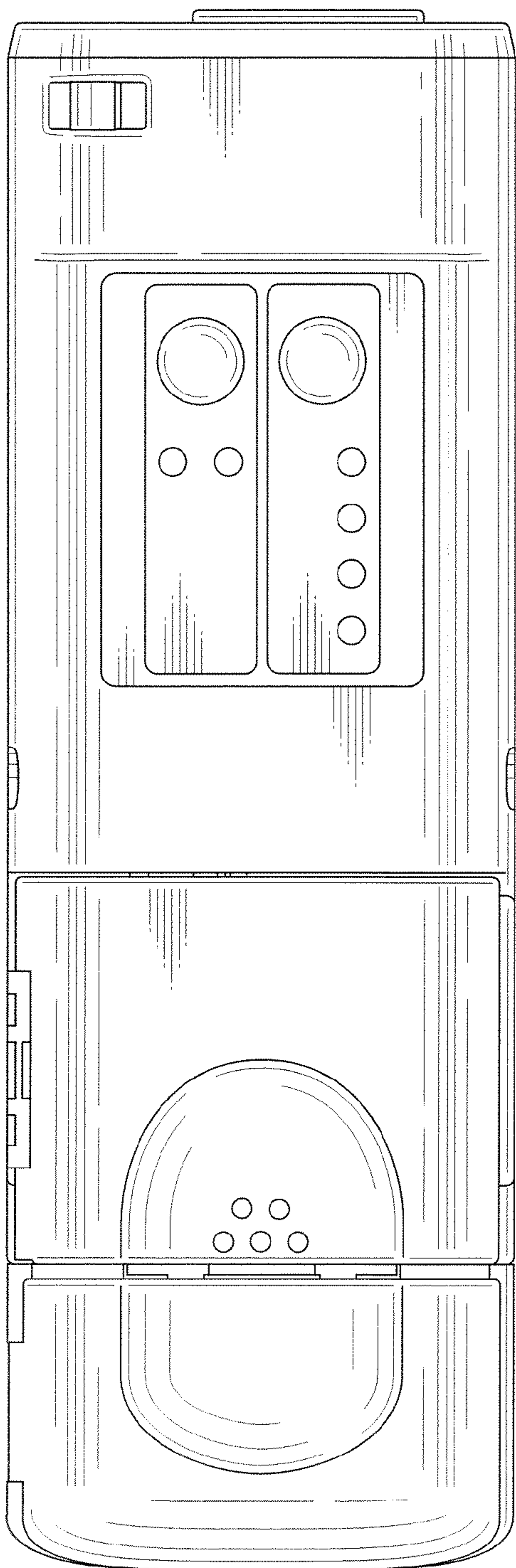


FIG.5

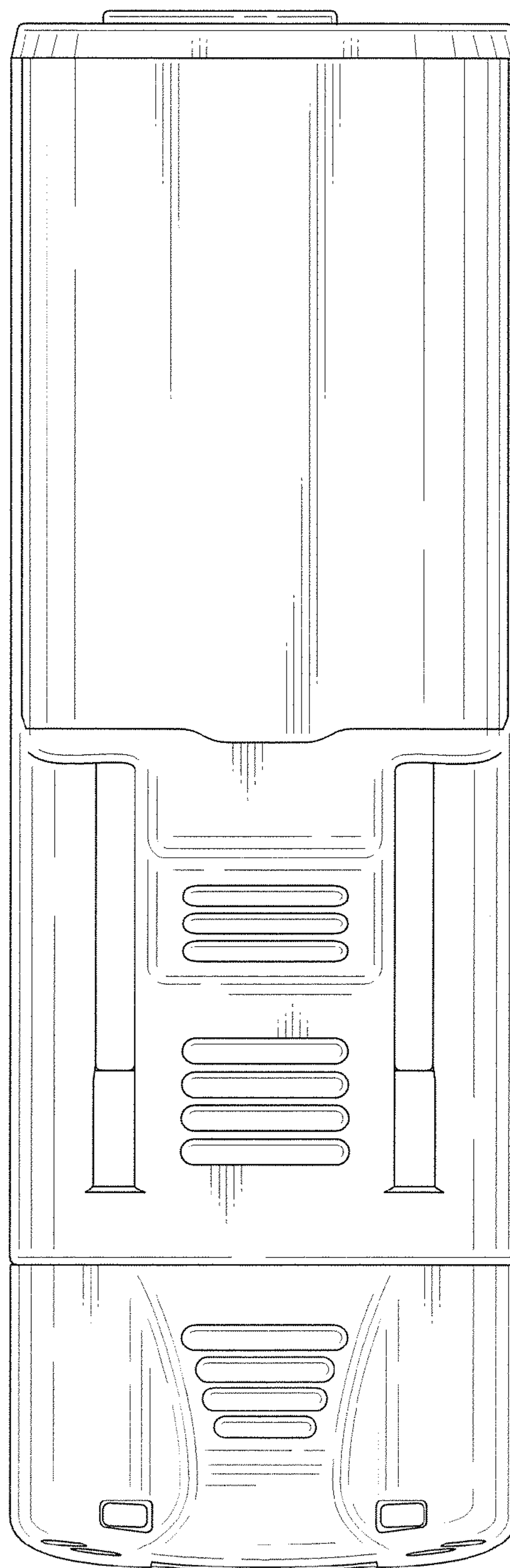


FIG.7

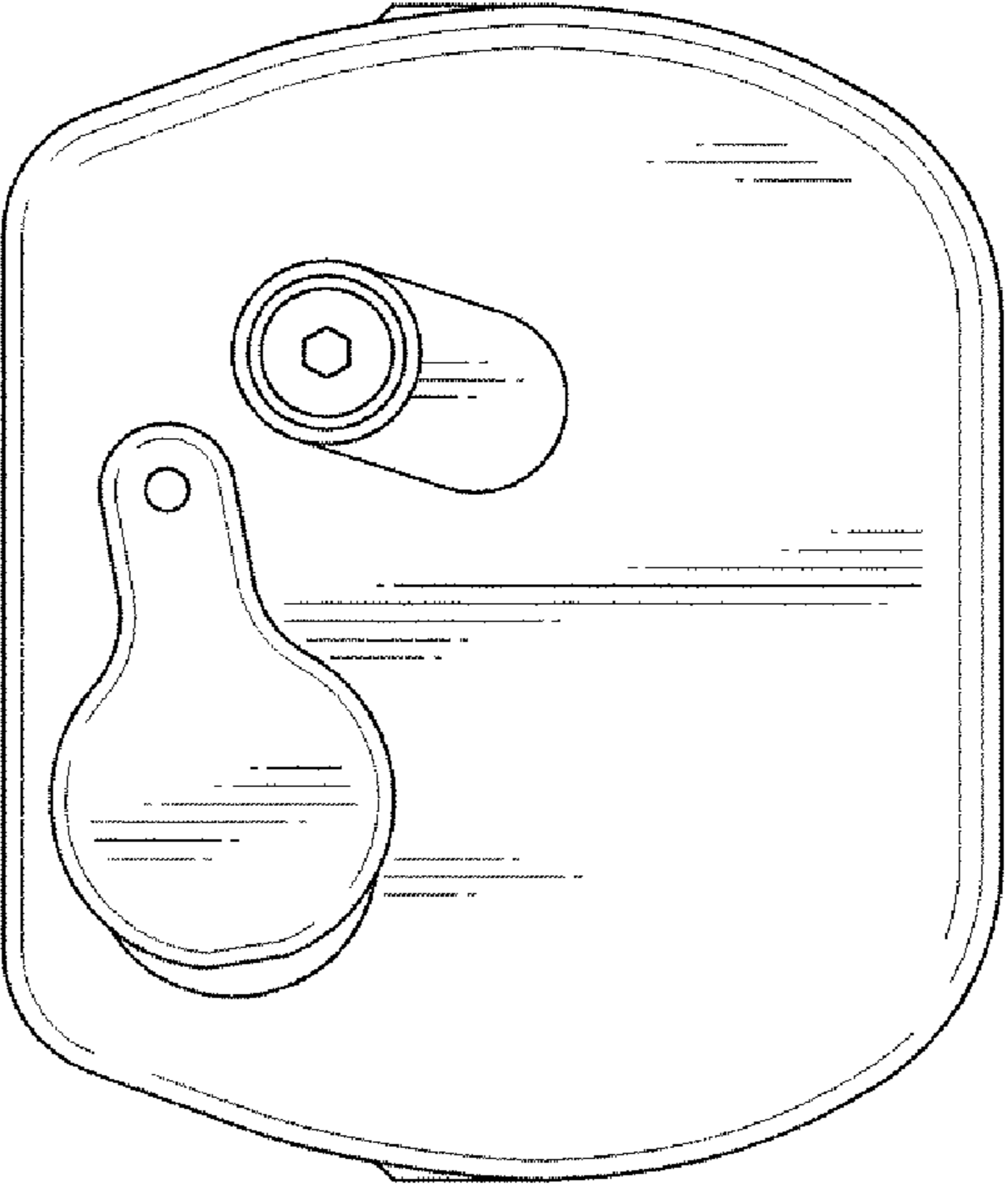


FIG.6

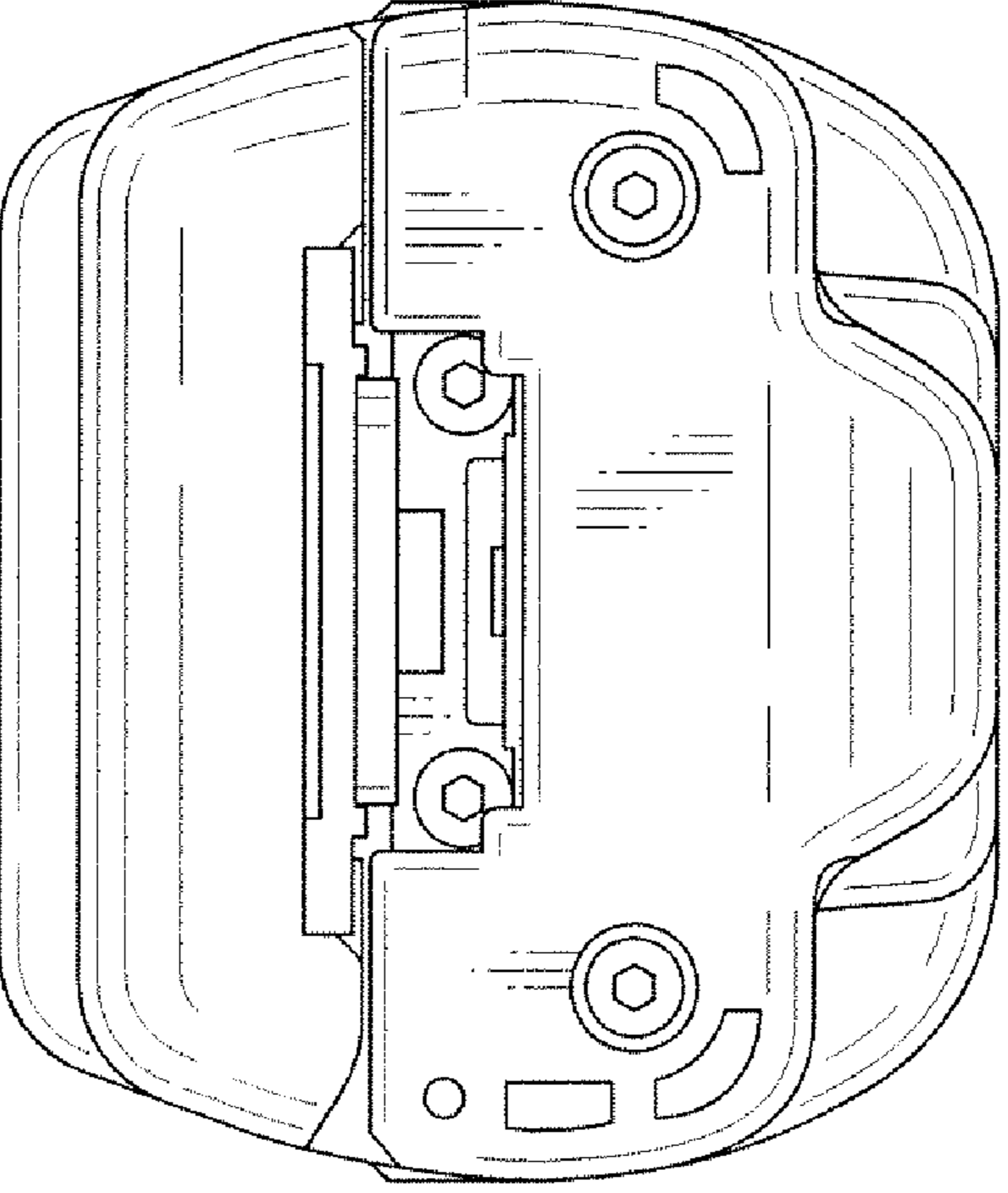


FIG. 8

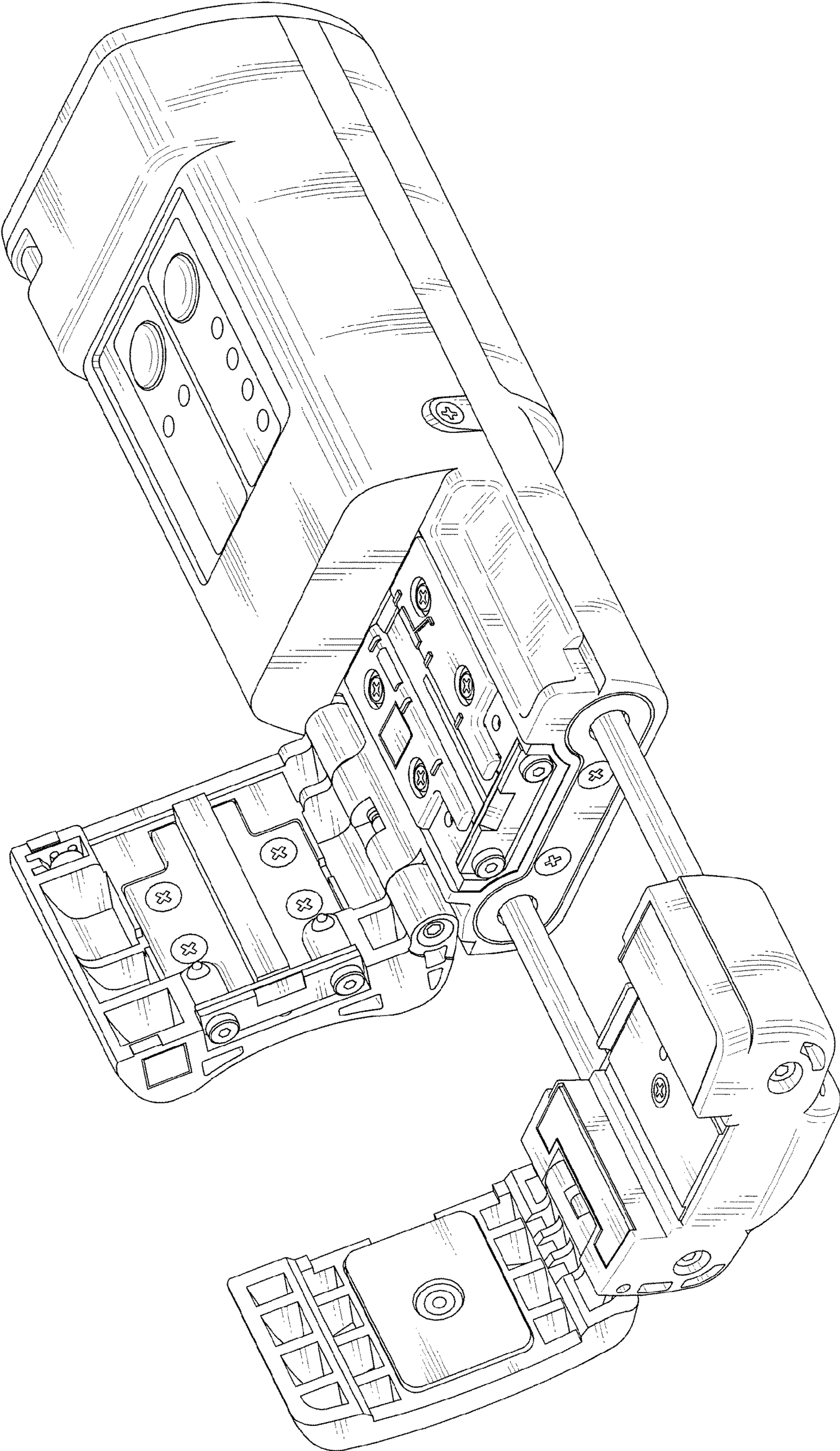


FIG. 9

