



US00D641599S

(12) **United States Design Patent**  
**Huff**

(10) **Patent No.:** **US D641,599 S**  
(45) **Date of Patent:** **\*\* Jul. 19, 2011**

(54) **FENCING TOOL**

(75) Inventor: **Christopher M. Huff**, Reeds, MO (US)

(73) Assignee: **H B Mechanics LLC**, Reeds, MO (US)

(\*\*) Term: **14 Years**

(21) Appl. No.: **29/369,507**

(22) Filed: **Sep. 9, 2010**

(51) **LOC (9) Cl.** ..... **08-05**

(52) **U.S. Cl.** ..... **D8/14**

(58) **Field of Classification Search** ..... D22/134,  
D22/149; D8/14, 51, 88, 354, 356; 140/11,  
140/106, 123.5; 242/388.2, 388.4; 256/47,  
256/57

See application file for complete search history.

(56) **References Cited**

**U.S. PATENT DOCUMENTS**

|           |     |         |                 |           |
|-----------|-----|---------|-----------------|-----------|
| 396,682   | A * | 1/1889  | Butler          | 140/106   |
| 1,792,468 | A * | 2/1931  | Sheckels et al. | 242/388.4 |
| 1,801,453 | A * | 4/1931  | Patterson       | 211/163   |
| 1,925,312 | A * | 9/1933  | Elliott         | 140/123.5 |
| 2,090,005 | A * | 8/1937  | Kendzy          | 242/388.4 |
| 2,124,416 | A * | 7/1938  | Hadland         | 140/123.5 |
| 2,291,792 | A * | 8/1942  | Caston          | 242/388.4 |
| D183,759  | S * | 10/1958 | Martin          | D8/51     |
| D194,611  | S * | 2/1963  | Faulker         | D22/147   |
| 3,078,534 | A * | 2/1963  | McAdams         | 24/71.1   |
| 3,568,261 | A * | 3/1971  | Korb            | 24/71.1   |
| 3,831,642 | A * | 8/1974  | Greeott         | 140/106   |
| D315,012  | S * | 2/1991  | Koga            | D22/147   |

|           |      |         |               |           |
|-----------|------|---------|---------------|-----------|
| 5,012,559 | A *  | 5/1991  | Flannery      | 242/405.1 |
| 5,832,690 | A *  | 11/1998 | Kaines        | 52/677    |
| 5,909,910 | A *  | 6/1999  | Shaffer       | 29/243.56 |
| D432,001  | S *  | 10/2000 | Taylor        | D8/356    |
| 6,499,514 | B1 * | 12/2002 | Hodge, Sr.    | 140/57    |
| 6,802,495 | B1 * | 10/2004 | Schmidt       | 256/57    |
| 7,270,291 | B2 * | 9/2007  | Von Seidel    | 242/388.2 |
| D582,258  | S *  | 12/2008 | Ripley et al. | D8/354    |
| 7,520,491 | B1 * | 4/2009  | Post          | 256/57    |
| D628,464  | S *  | 12/2010 | Oskey         | D8/356    |

\* cited by examiner

*Primary Examiner* — Phillip S Hyder

*Assistant Examiner* — Roselynn Cody

(74) *Attorney, Agent, or Firm* — Martin & Associates, LLC;  
Derek P. Martin

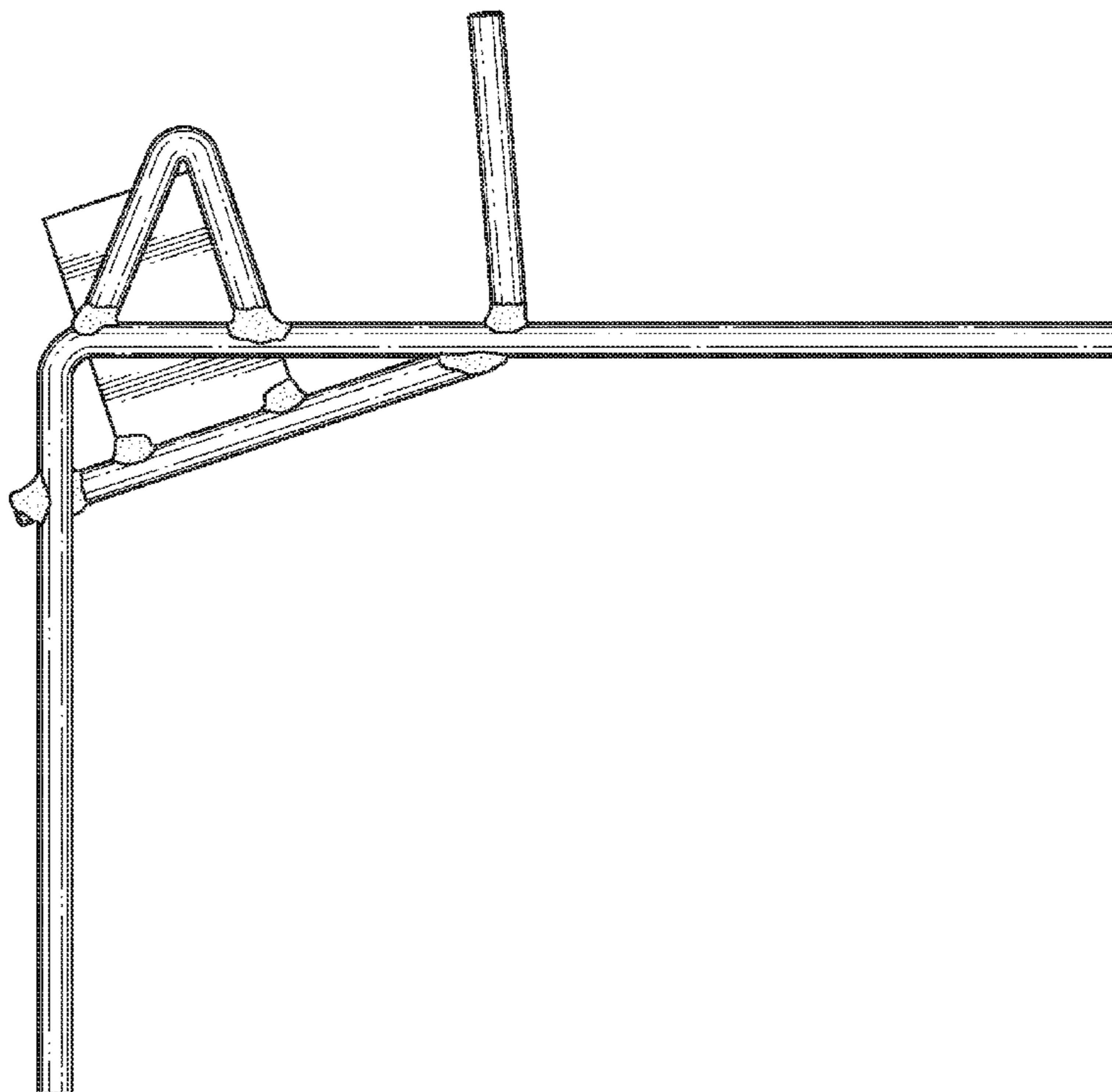
(57) **CLAIM**

The ornamental design for a fencing tool, as shown and described.

**DESCRIPTION**

FIG. 1 is a front view of a fencing tool showing my new design;  
FIG. 2 is a back view thereof;  
FIG. 3 is a top view thereof;  
FIG. 4 is a bottom view thereof;  
FIG. 5 is a right side view thereof; and  
FIG. 6 is a left side view thereof; and,  
FIG. 7 is a perspective view thereof.

**1 Claim, 3 Drawing Sheets**



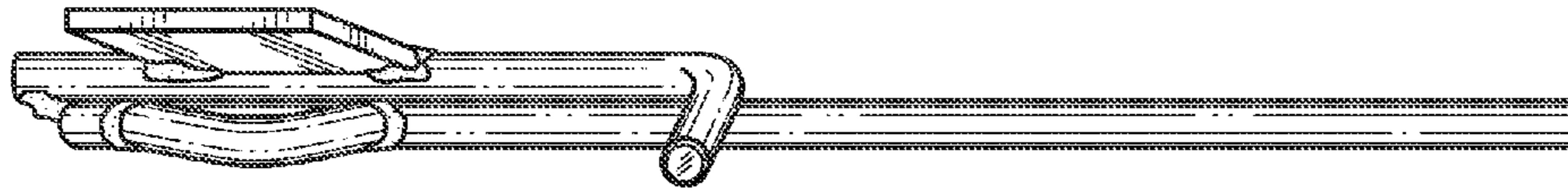


FIG. 3

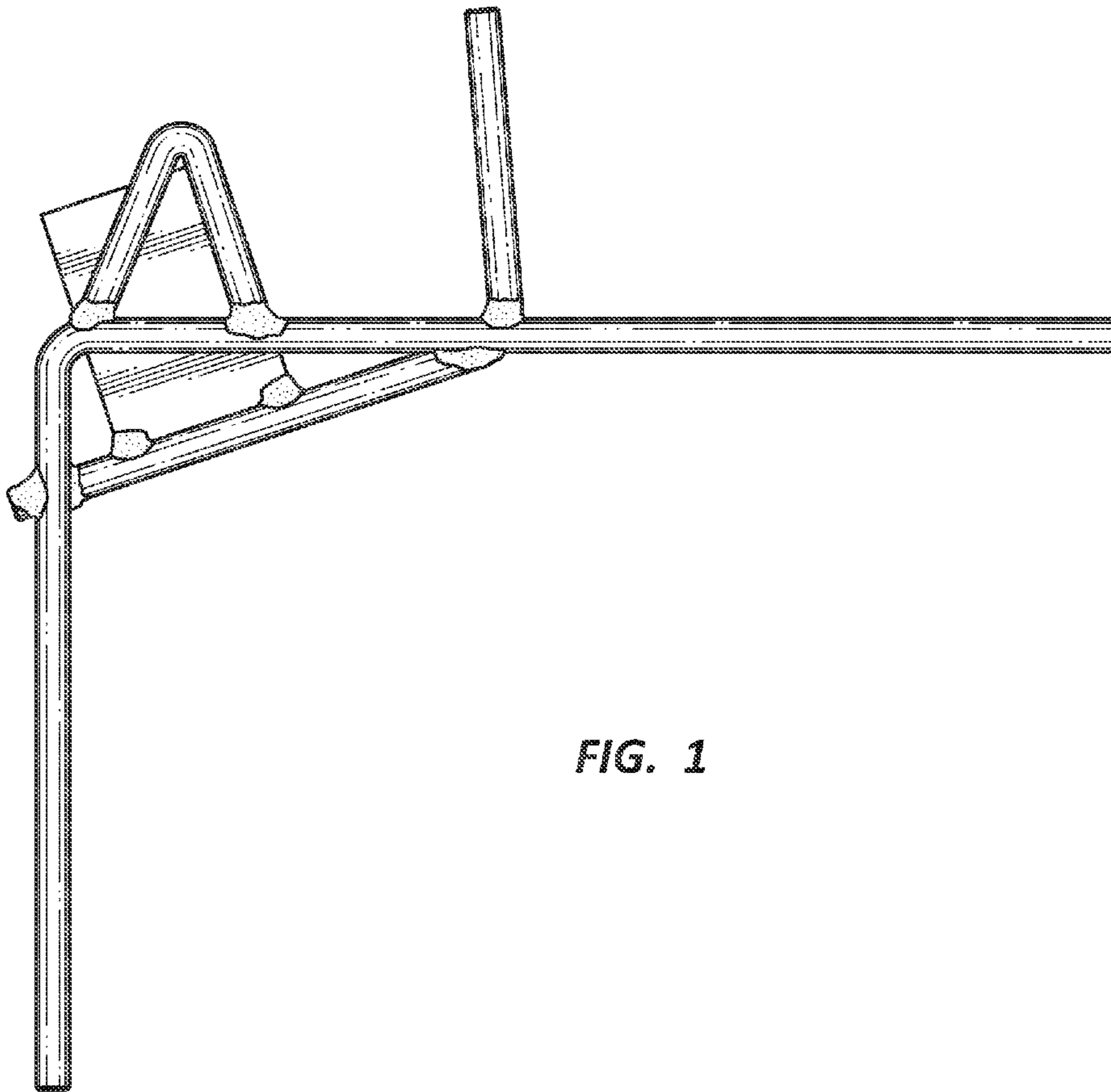


FIG. 1

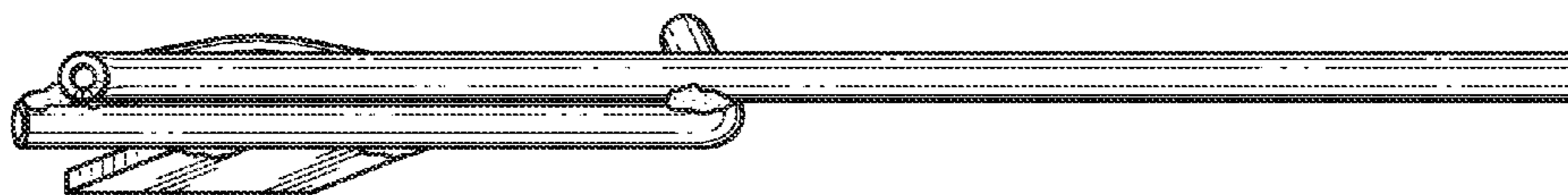


FIG. 4

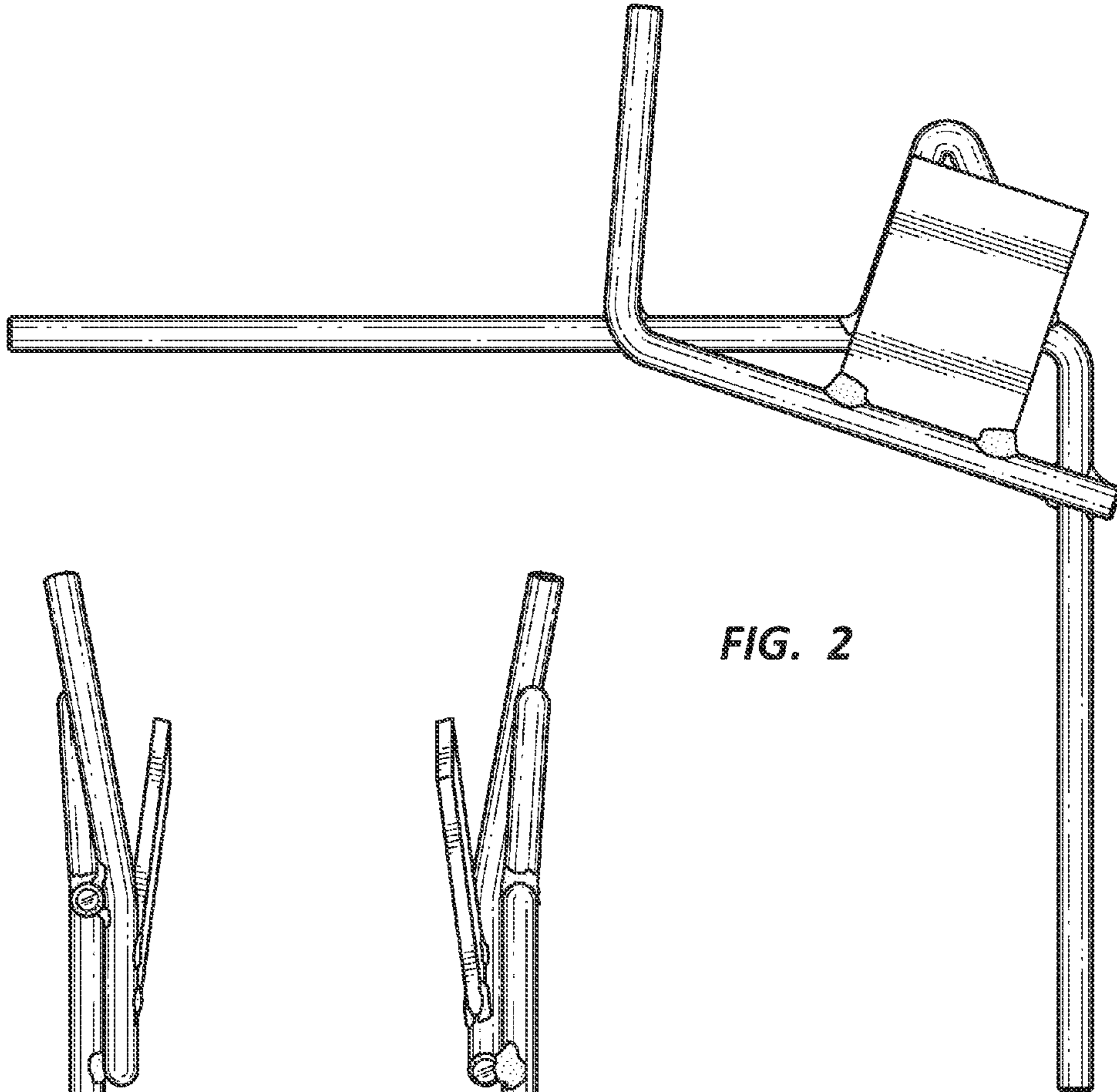


FIG. 2

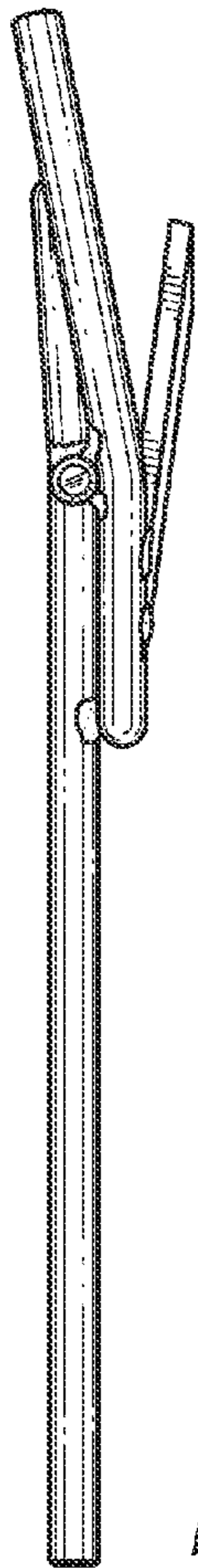


FIG. 5

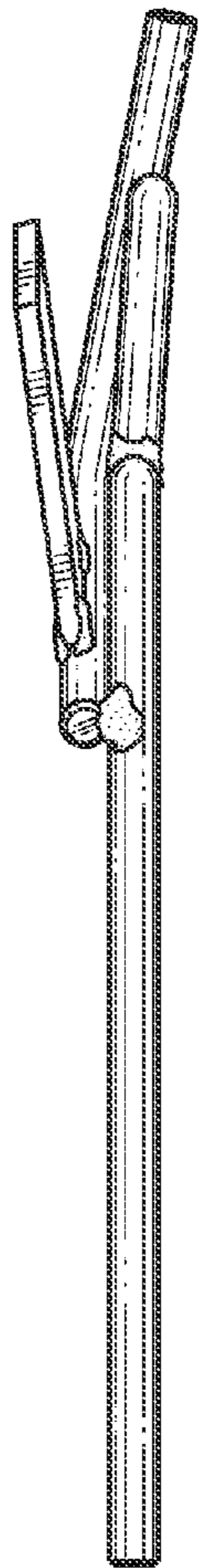


FIG. 6

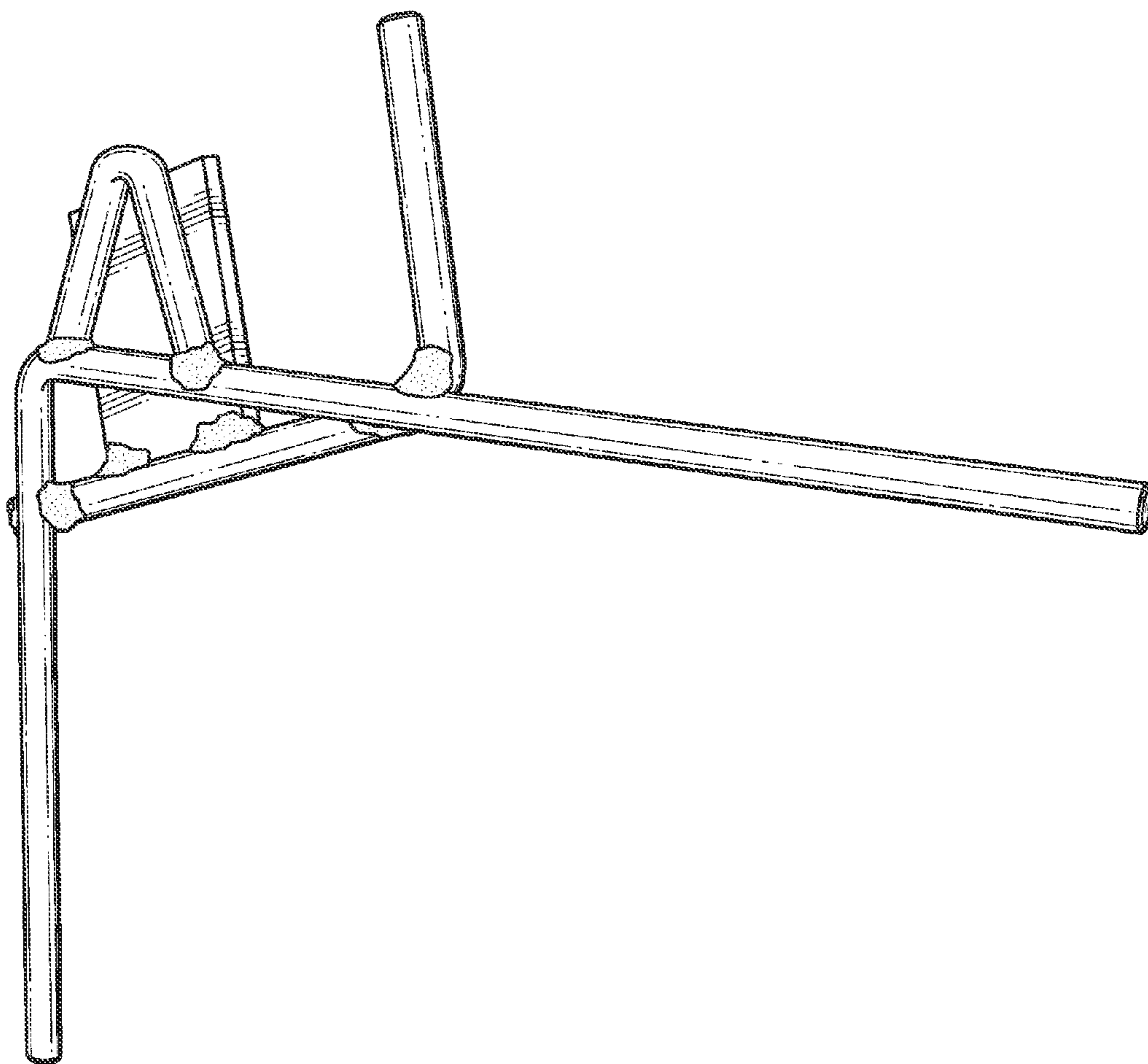


FIG. 7