



US00D641598S

(12) **United States Design Patent**  
**Hashim**

(10) **Patent No.:** **US D641,598 S**  
(45) **Date of Patent:** **\*\* Jul. 19, 2011**

(54) **CUTTING BOARD**

(76) Inventor: **Paul R. Hashim**, Bakersfield, CA (US)

(\*\*) Term: **14 Years**

(21) Appl. No.: **29/290,482**

(22) Filed: **Dec. 10, 2007**

(51) **LOC (9) Cl.** ..... **07-04**

(52) **U.S. Cl.** ..... **D7/698**

(58) **Field of Classification Search** ..... D7/388,  
D7/409, 505, 549, 553.5, 586, 624.1, 637-638,  
D7/673, 696, 698-699; D15/127; 99/446,  
99/449; 269/13-16, 54.5, 289 R, 291-292,  
269/297-298, 302.1

See application file for complete search history.

(56) **References Cited**

**U.S. PATENT DOCUMENTS**

4,116,426	A *	9/1978	Kessler	.....	269/307
D348,809	S *	7/1994	Ladwig	.....	D7/698
D376,606	S *	12/1996	Thompson	.....	D15/127
6,702,273	B1 *	3/2004	Sellers	.....	269/289 R
6,722,644	B1 *	4/2004	Prosser	.....	269/289 R

6,910,685	B2 *	6/2005	Sellers	.....	269/289 R
7,036,809	B1 *	5/2006	Mitchell	.....	269/289 R
7,213,806	B2 *	5/2007	Mitchell	.....	269/289 R
D543,802	S *	6/2007	Fuchs	.....	D7/698
D587,539	S *	3/2009	Almeda et al.	.....	D7/698
2003/0094744	A1 *	5/2003	scott	.....	269/289 R
2004/0119220	A1 *	6/2004	Davis	.....	269/289 R
2009/0200723	A1 *	8/2009	Lim et al.	.....	269/289 R

\* cited by examiner

*Primary Examiner* — Ricky Pham

(57) **CLAIM**

The ornamental design for a cutting board, as shown and described.

**DESCRIPTION**

FIG. 1 is a top plan view of a cutting board showing my new design;

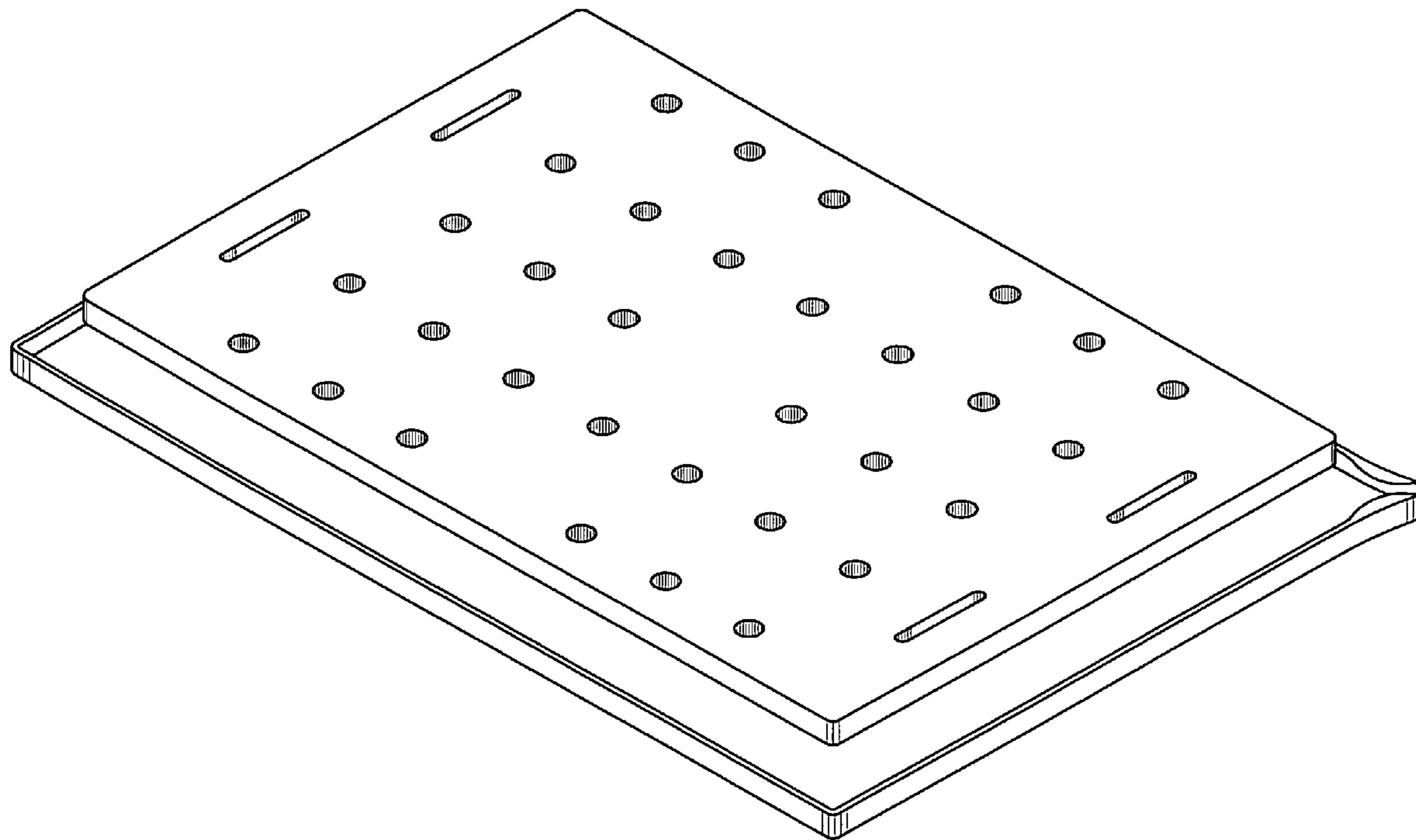
FIG. 2 is a side-view taken through line 2-2 of FIG. 1;

FIG. 3 is a cross-sectional view taken through line 3-3 of the circular drip hole of FIG. 1;

FIG. 4 is a cross-sectional view taken through line 4-4 of the elongated drip hole of FIG. 1; and,

FIG. 5 is an isometric view thereof.

**1 Claim, 2 Drawing Sheets**



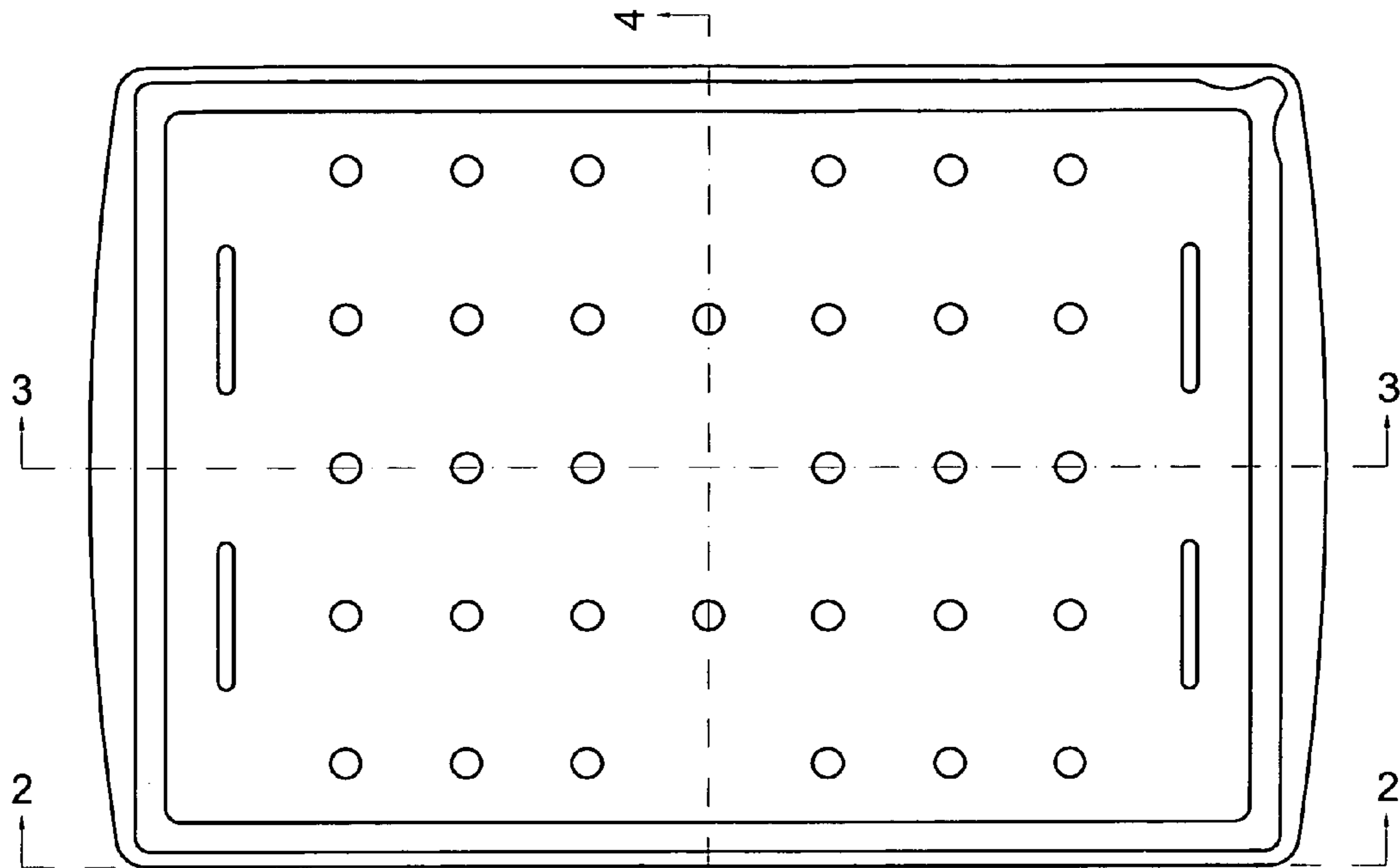


FIG. 1

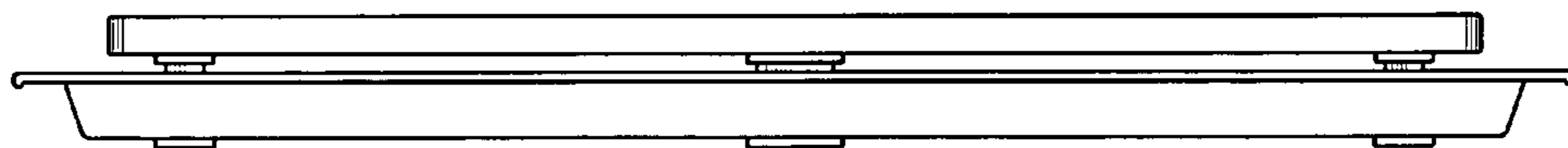


FIG. 2

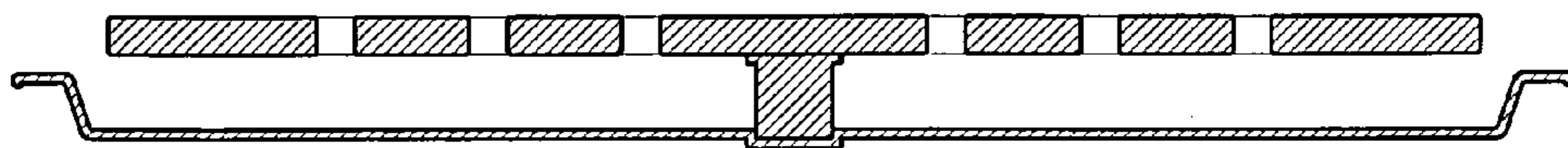


FIG. 3

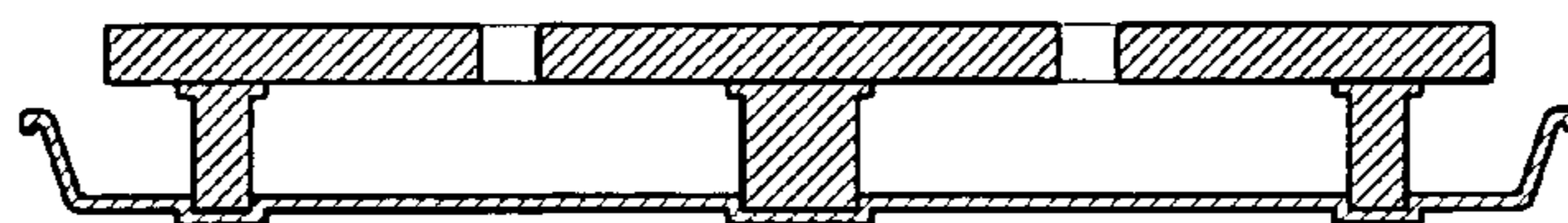


FIG. 4

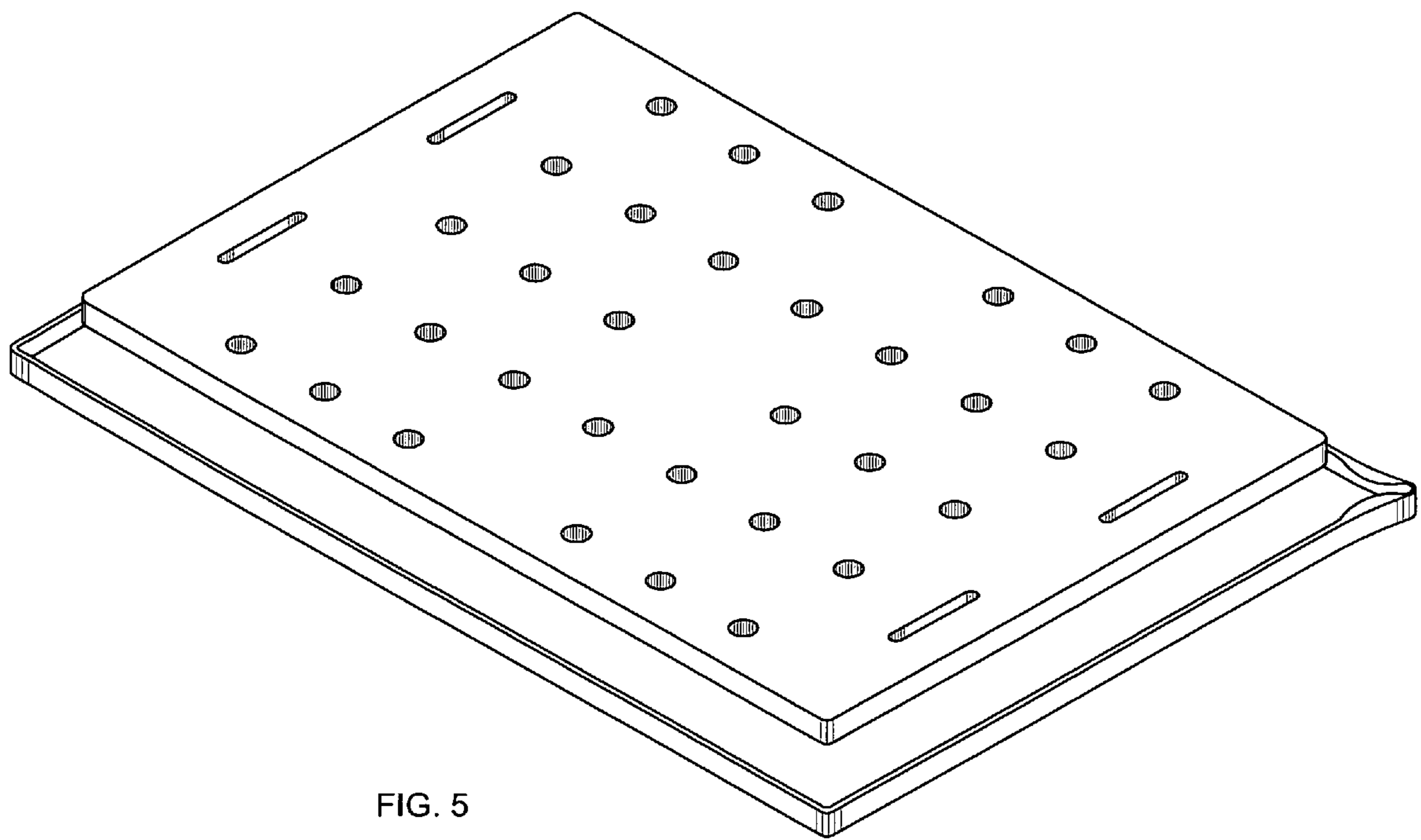


FIG. 5