



US00D641597S

(12) **United States Design Patent**
Tang

(10) **Patent No.:** **US D641,597 S**

(45) **Date of Patent:** **** Jul. 19, 2011**

(54) **FOOD GRATER**

(75) Inventor: **Lee Shek Tang**, New Territories (HK)

(73) Assignee: **Best Luck Technology Development Limited**, New Territories (HK)

(**) Term: **14 Years**

(21) Appl. No.: **29/368,599**

(22) Filed: **Aug. 26, 2010**

(30) **Foreign Application Priority Data**

Mar. 16, 2010 (HK) 1000463

(51) **LOC (9) Cl.** **07-04**

(52) **U.S. Cl.** **D7/678**

(58) **Field of Classification Search** D7/678,
D7/693, 669, 368, 371, 372, 376, 383; 241/93,
241/95, 92, 280, 273.1–273.4, 168, 169.1,
241/169; 99/501–511

See application file for complete search history.

(56) **References Cited**

U.S. PATENT DOCUMENTS

D215,390 S * 9/1969 McGee D7/383
3,610,304 A * 10/1971 Popeil et al. 241/92
D233,123 S * 10/1974 Riggmonti D7/372

4,227,656 A * 10/1980 Engebretsen 241/93
D260,129 S * 8/1981 Shun D7/678
D261,472 S * 10/1981 Graham et al. D7/383
D276,202 S * 11/1984 Shun D7/678
D493,074 S * 7/2004 Brousseau et al. D7/678
D507,455 S * 7/2005 Bertulis D7/376
D517,873 S * 3/2006 So D7/678
D543,774 S * 6/2007 Rohrer D7/381
7,337,997 B2 * 3/2008 Ko 241/93

* cited by examiner

Primary Examiner — Terry Wallace

(74) *Attorney, Agent, or Firm* — Joseph G. Swan, P.C.

(57) **CLAIM**

The ornamental design for a food grater, as shown and described.

DESCRIPTION

FIG. 1 is a left side elevational view of a food grater according to the present invention.

FIG. 2 is a front elevational view of the food grater.

FIG. 3 is a rear elevational view of the food grater.

FIG. 4 is a top plan view of the food grater.

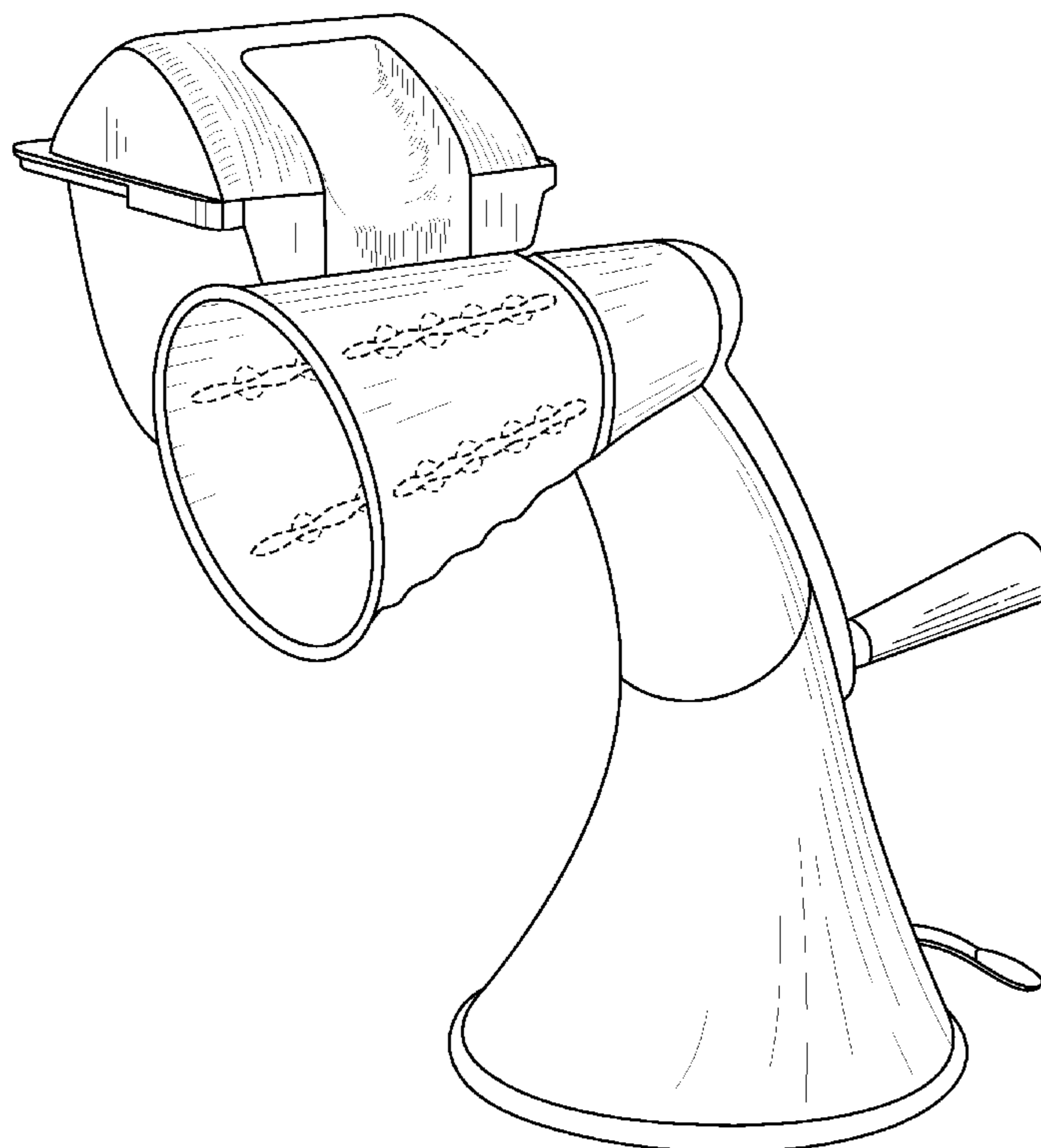
FIG. 5 is a bottom plan view of the food grater.

FIG. 6 is a right side elevational view of the food grater; and,

FIG. 7 is a perspective view of the food grater.

The portions shown in broken lines are solely for the purpose of illustrating context and form no part of the claimed design.

1 Claim, 7 Drawing Sheets



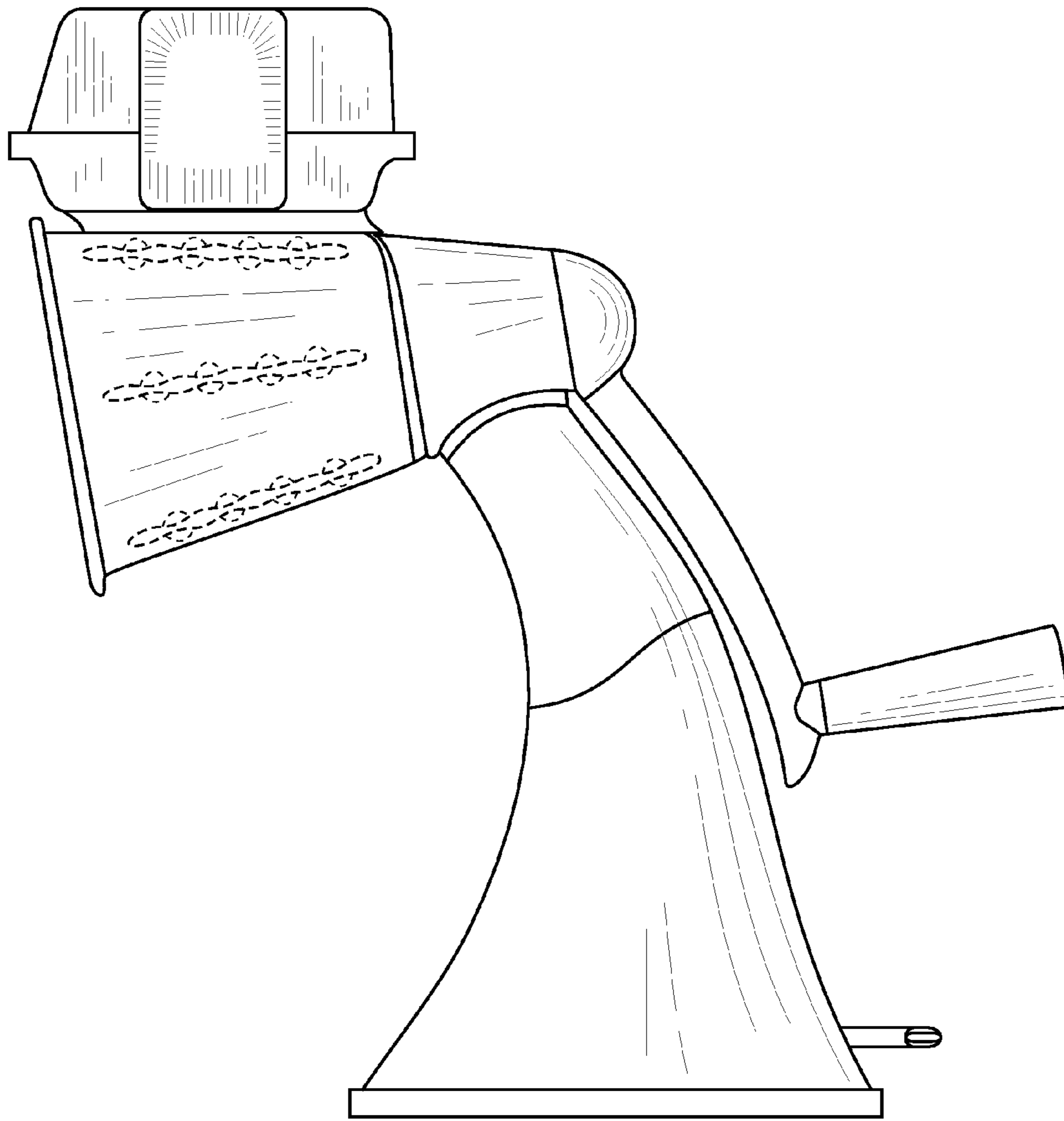


FIG. 1

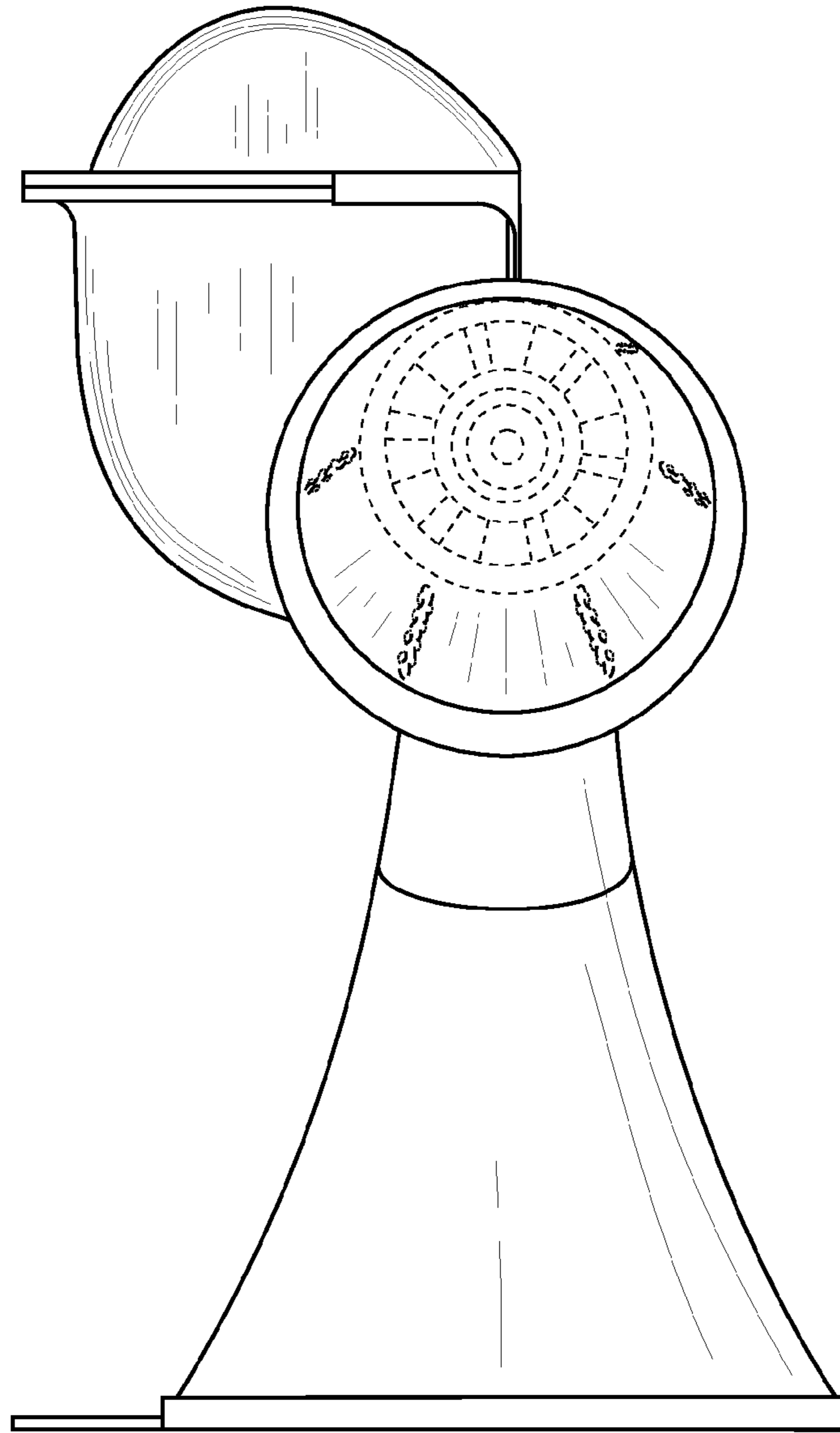


FIG. 2

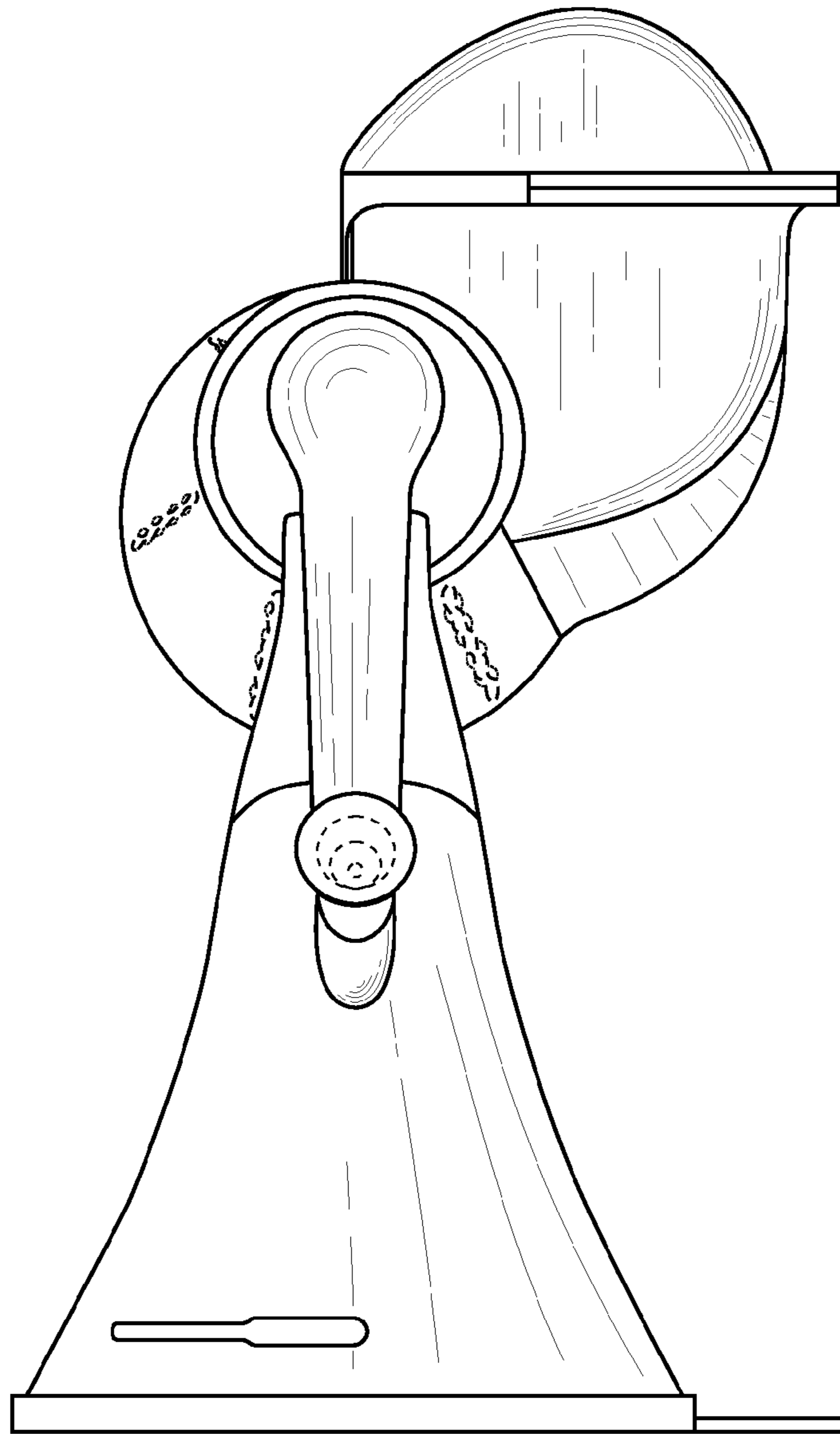


FIG. 3

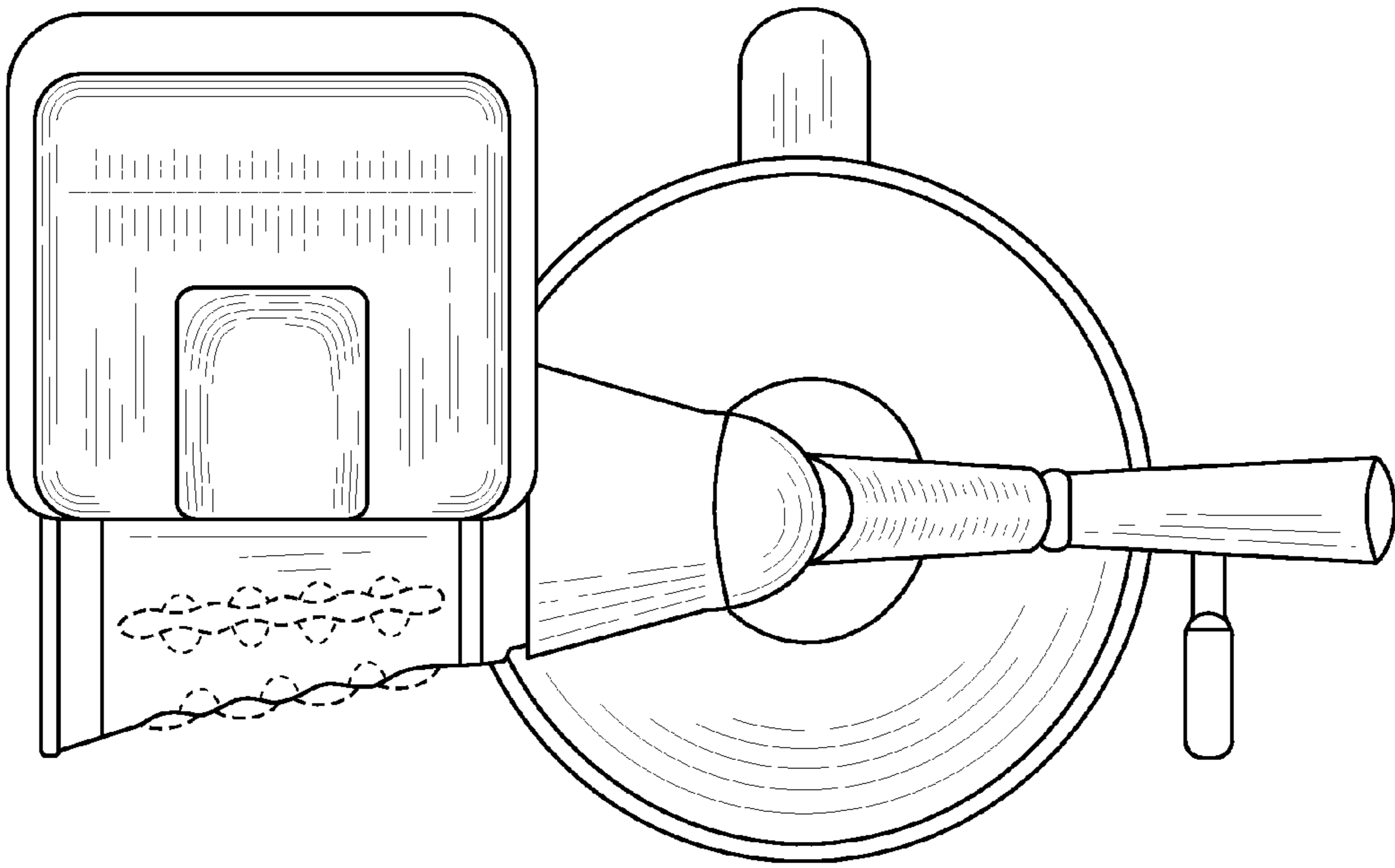


FIG. 4

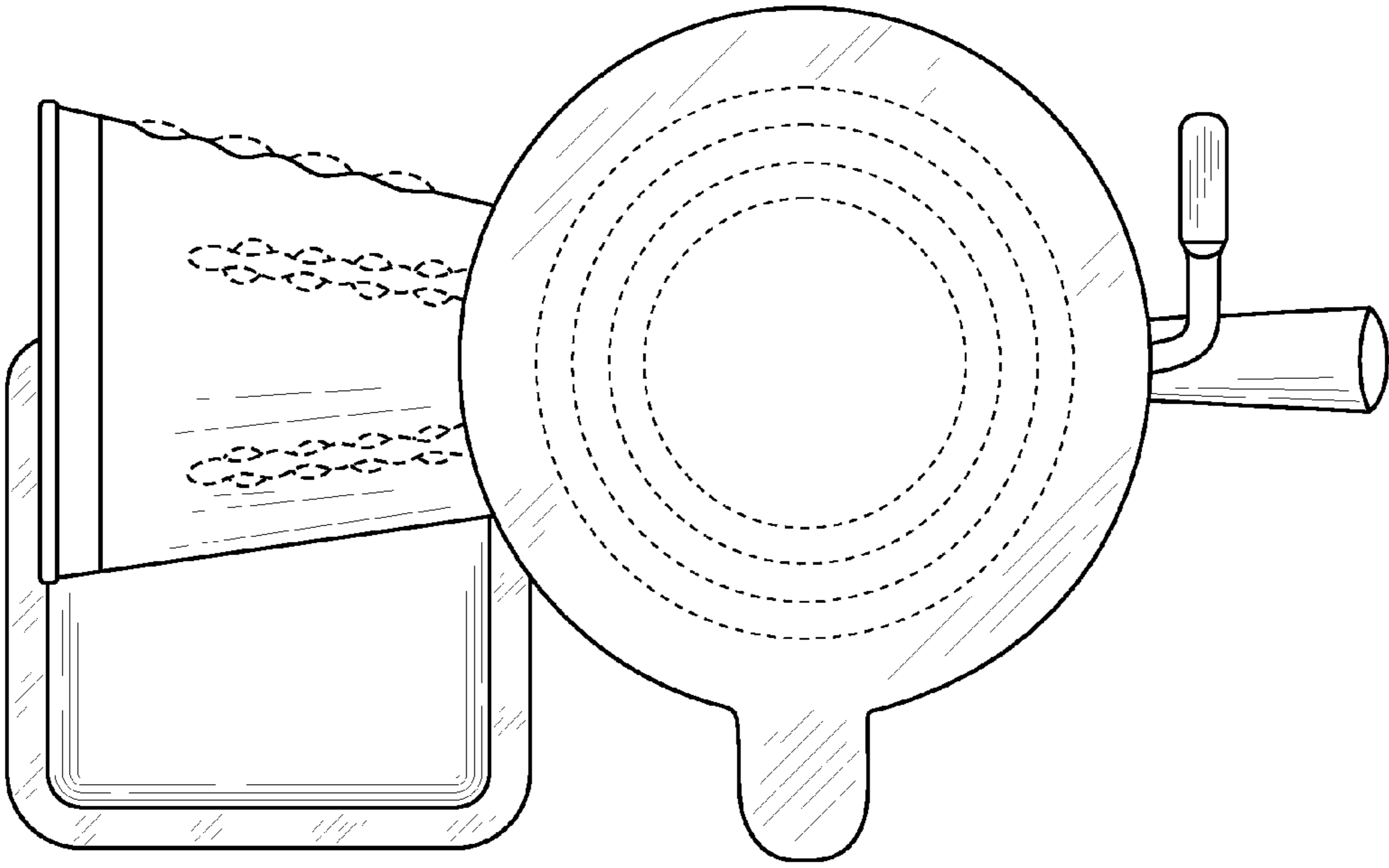


FIG. 5

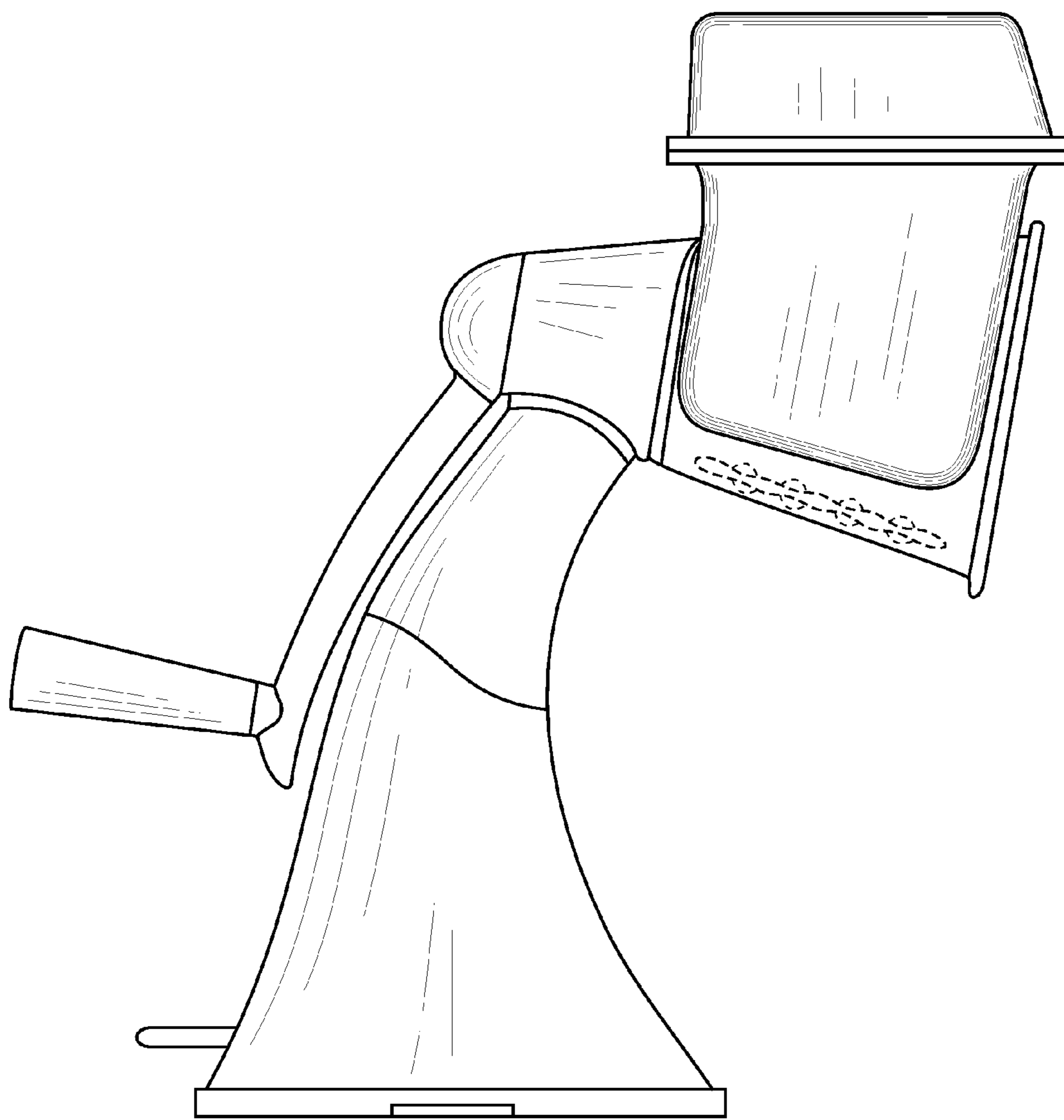


FIG. 6

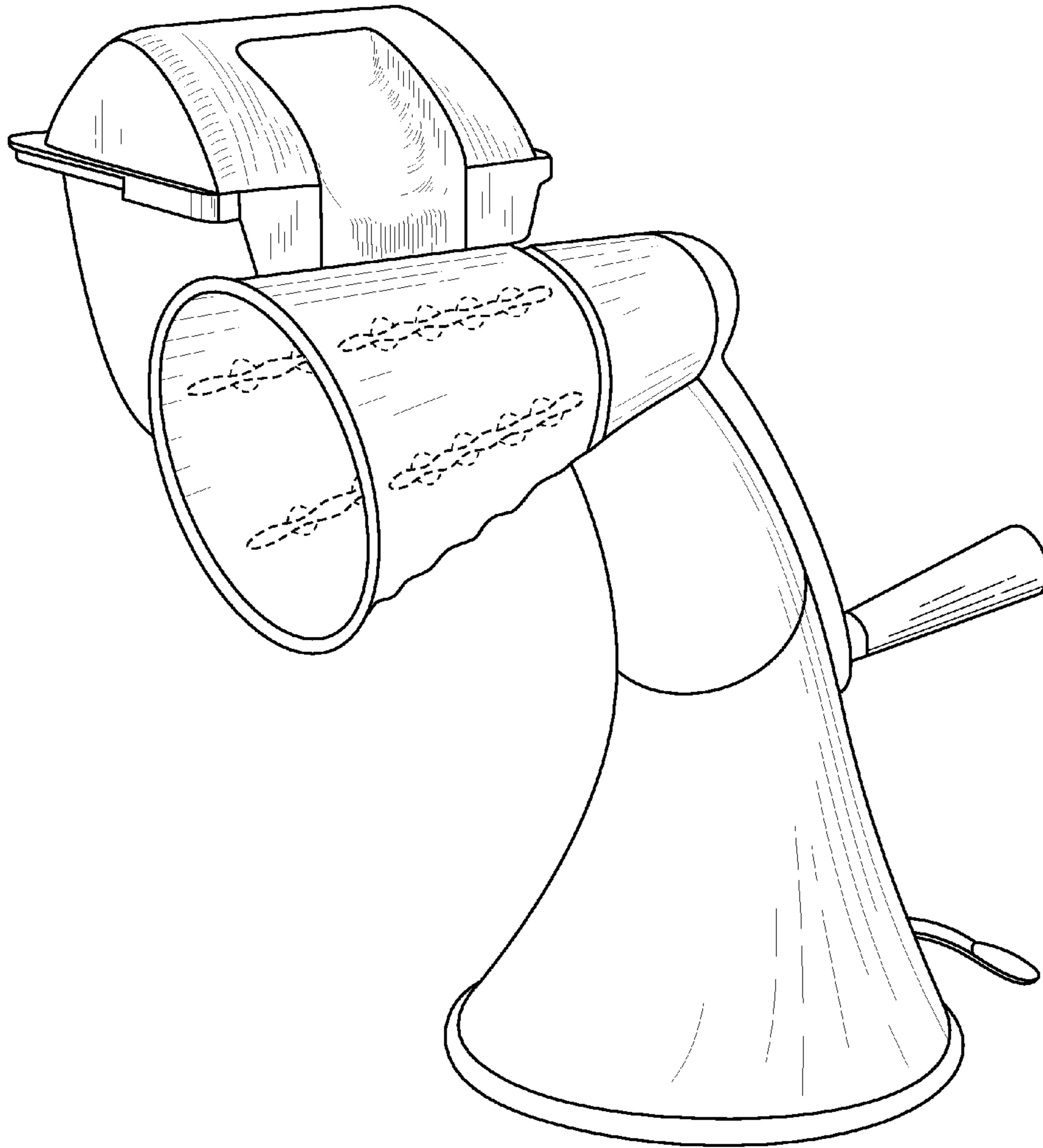


FIG. 7