



US00D641596S

(12) **United States Design Patent**
Chan

(10) **Patent No.:** **US D641,596 S**

(45) **Date of Patent:** **** Jul. 19, 2011**

(54) **SALAD CUTTER**

(76) Inventor: **Ru Jie Chan**, FoShan (CN)

(**) Term: **14 Years**

(21) Appl. No.: **29/372,602**

(22) Filed: **Dec. 13, 2010**

(51) **LOC (9) Cl.** **07-04**

(52) **U.S. Cl.** **D7/673; D7/693**

(58) **Field of Classification Search** D7/672,
D7/673, 693, 669, 368, 383, 371, 372, 376;
241/92, 93, 95, 280, 168, 169, 169.1, 273.1-273.4;
99/501-511

See application file for complete search history.

(56) **References Cited**

U.S. PATENT DOCUMENTS

D215,390	S	*	9/1969	McGee	D7/383
3,610,304	A	*	10/1971	Popeil et al.	241/92
D233,123	S	*	10/1974	Riggmonti	D7/372
4,227,656	A	*	10/1980	Engbretsen	241/93
D260,129	S	*	8/1981	Shun	D7/678
D261,472	S	*	10/1981	Graham et al.	D7/383
D276,202	S	*	11/1984	Shun	D7/678
D493,074	S	*	7/2004	Brousseau et al.	D7/678

D507,455	S	*	7/2005	Bertulis	D7/376
D517,873	S	*	3/2006	So	D7/678
D543,774	S	*	6/2007	Rohrer	D7/381
7,337,997	B2	*	3/2008	Ko	241/93

* cited by examiner

Primary Examiner — Terry Wallace

(74) *Attorney, Agent, or Firm* — Raymond Y. Chan; David and Raymond Patent Firm

(57) **CLAIM**

The ornamental design for a salad cutter, as shown and described.

DESCRIPTION

FIG. 1 is a front perspective view of salad cutter showing my new design.

FIG. 2 is a left view thereof.

FIG. 3 is a right view thereof.

FIG. 4 is a front view thereof.

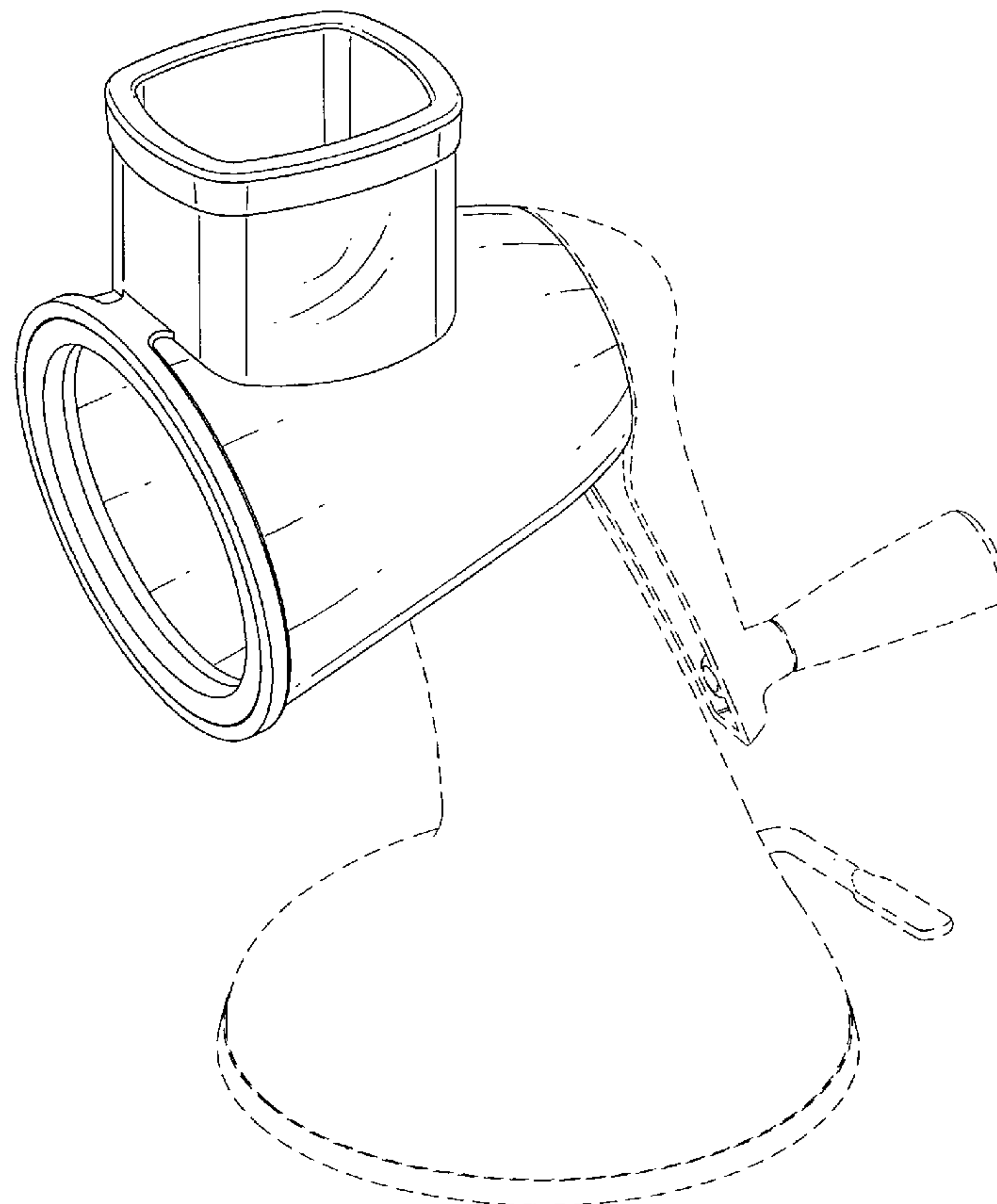
FIG. 5 is a rear view thereof.

FIG. 6 is a top view thereof; and,

FIG. 7 is a bottom perspective view thereof.

The broken lines are for illustrative purposes only and form no part of the claimed design.

1 Claim, 7 Drawing Sheets



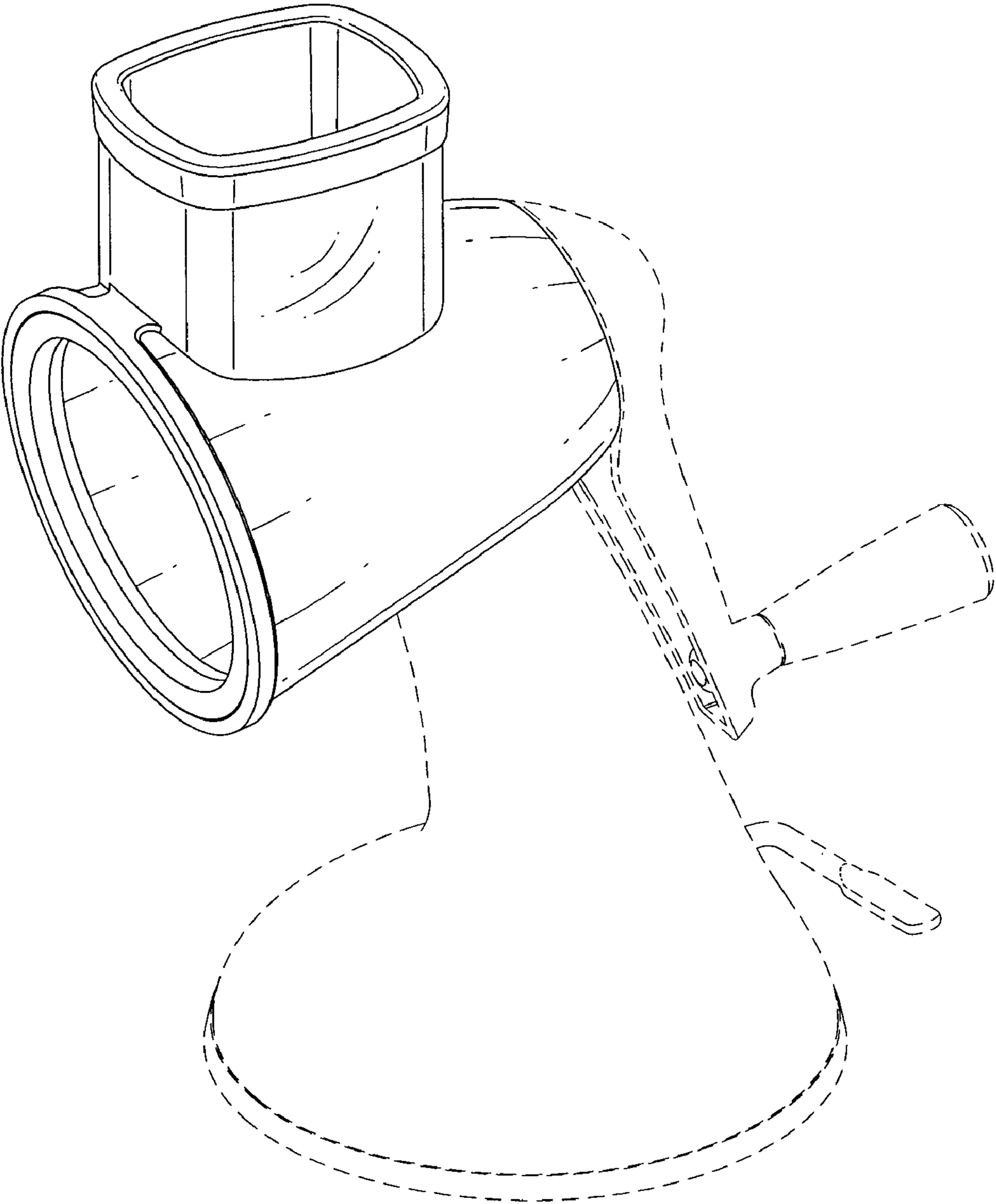


FIG. 1

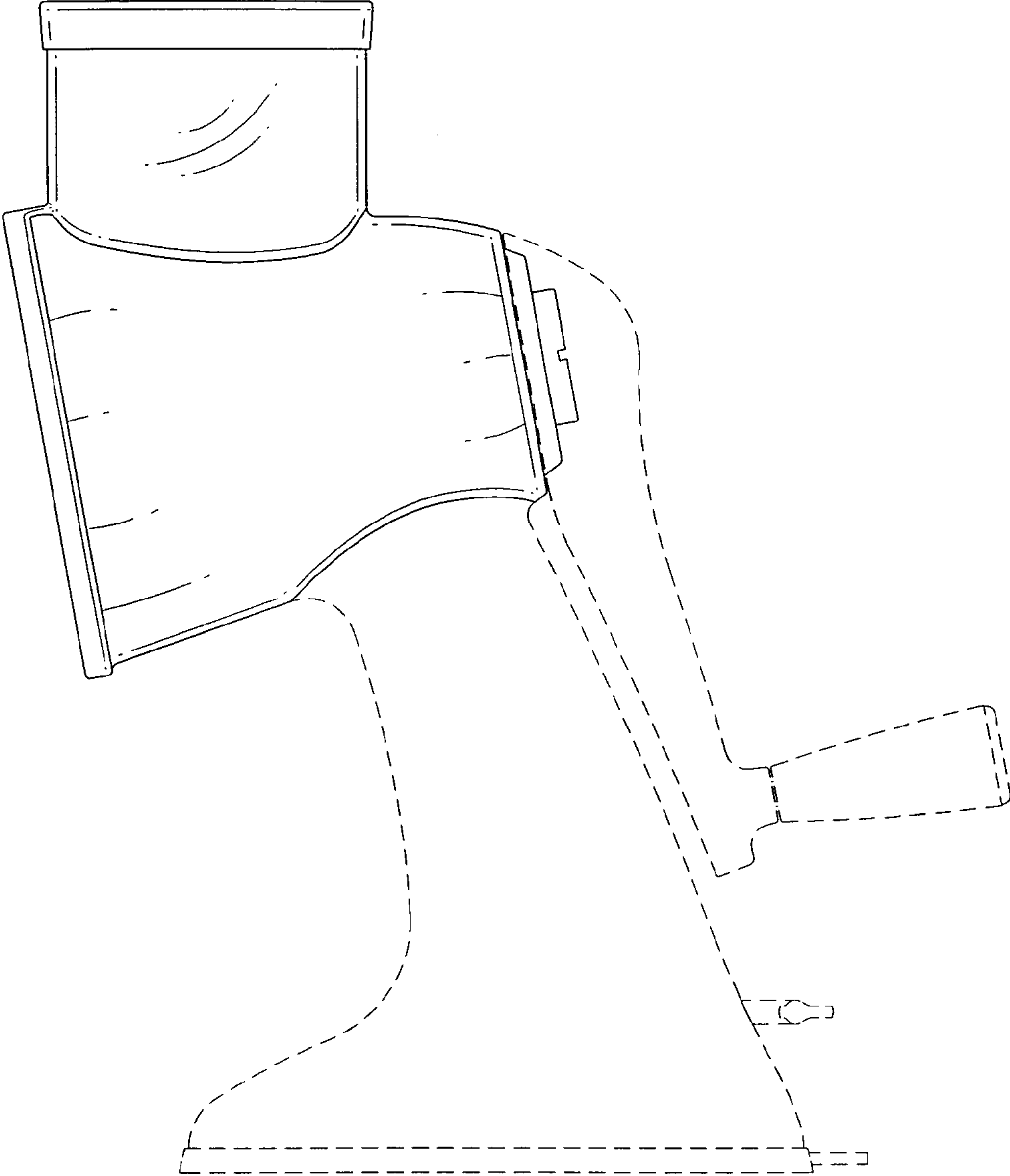


FIG.2

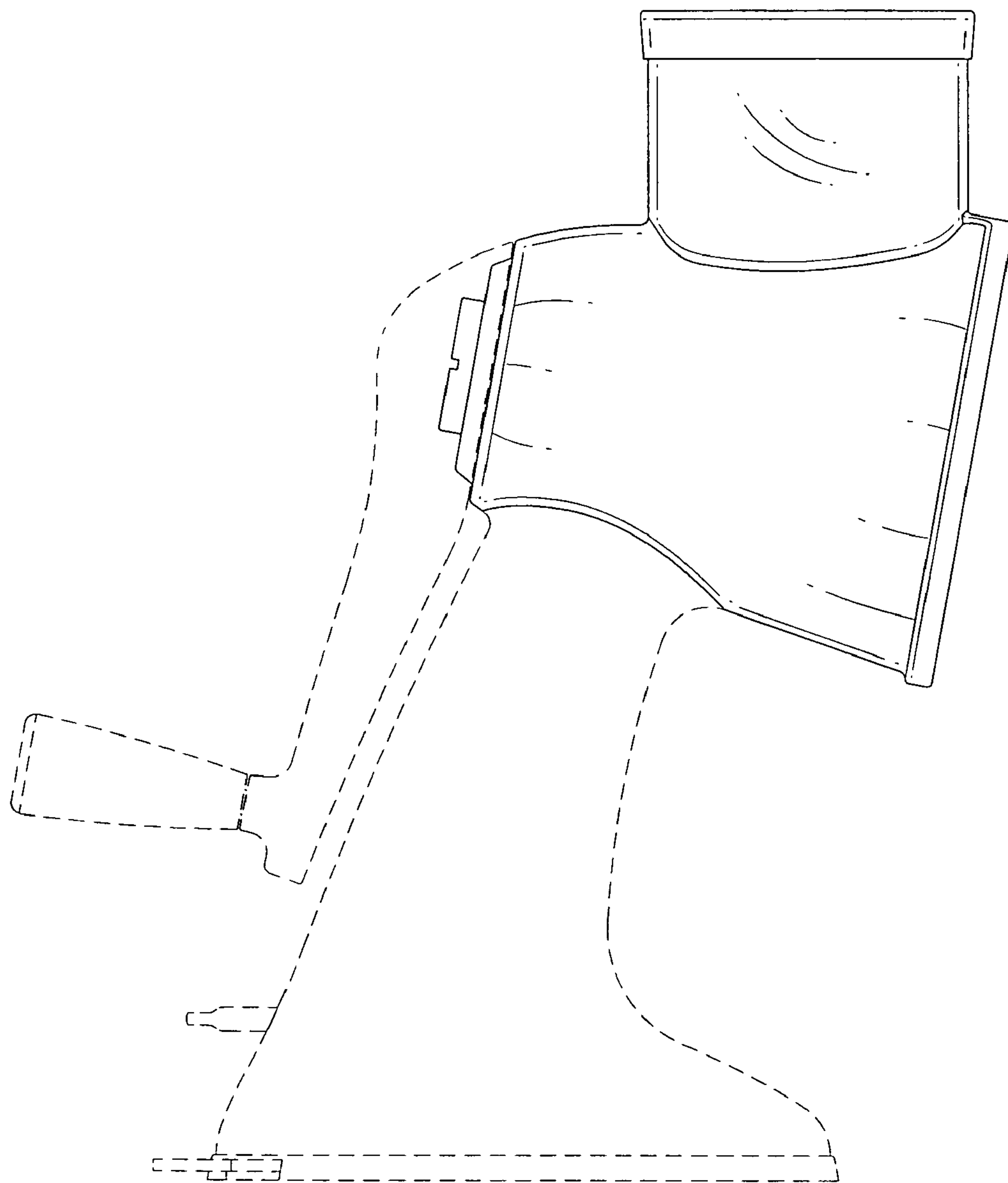


FIG.3

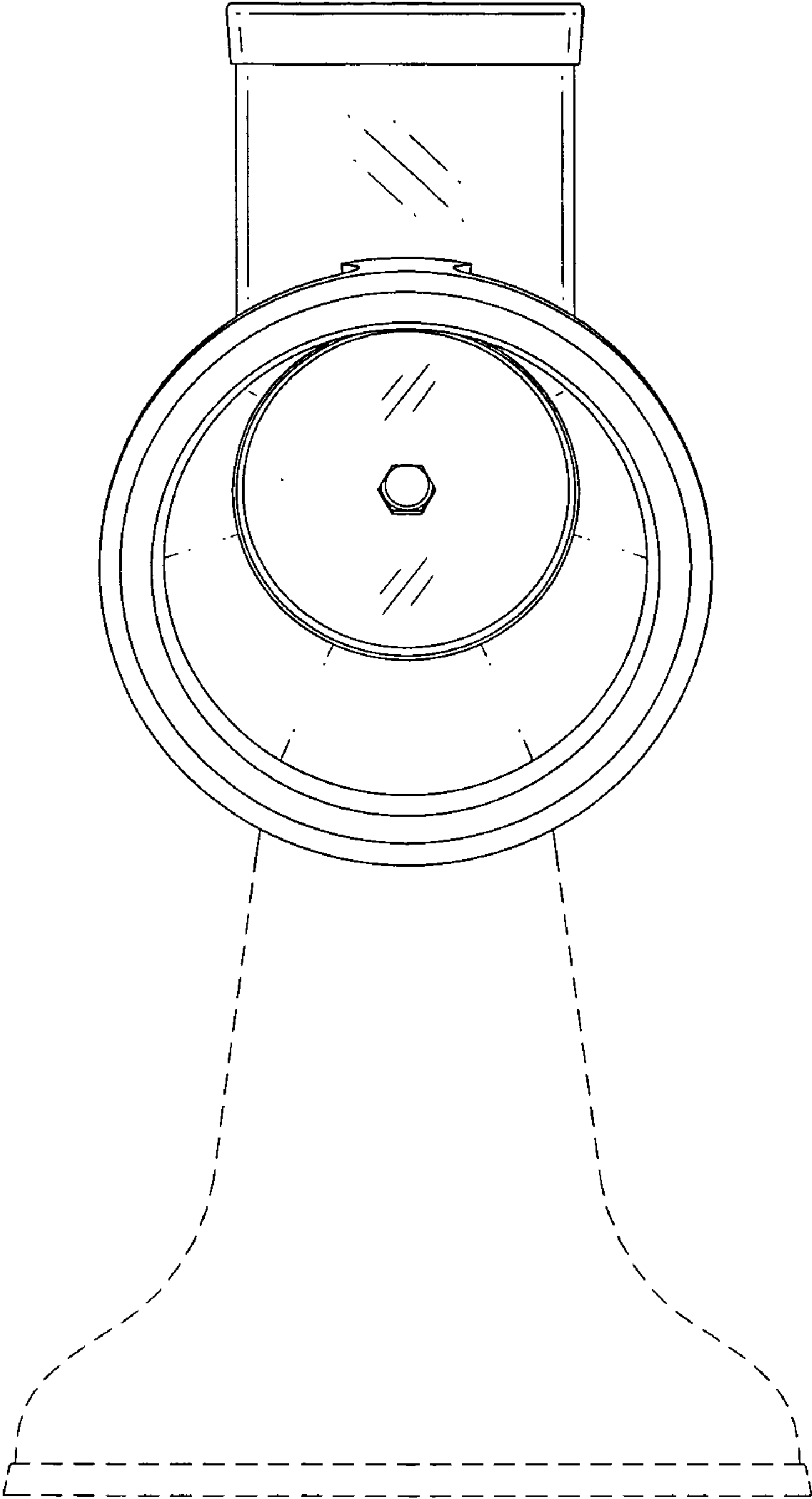


FIG.4

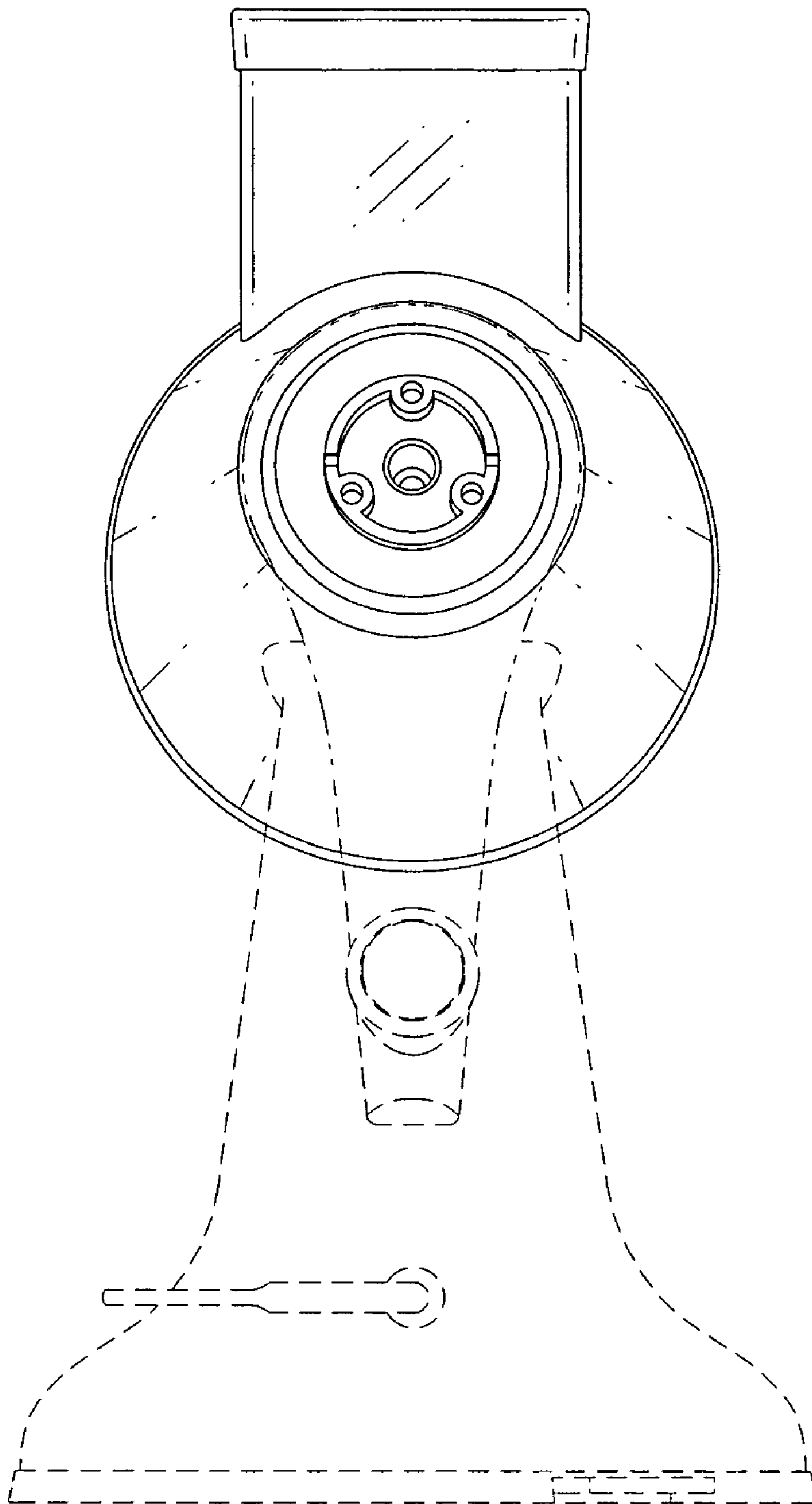


FIG. 5

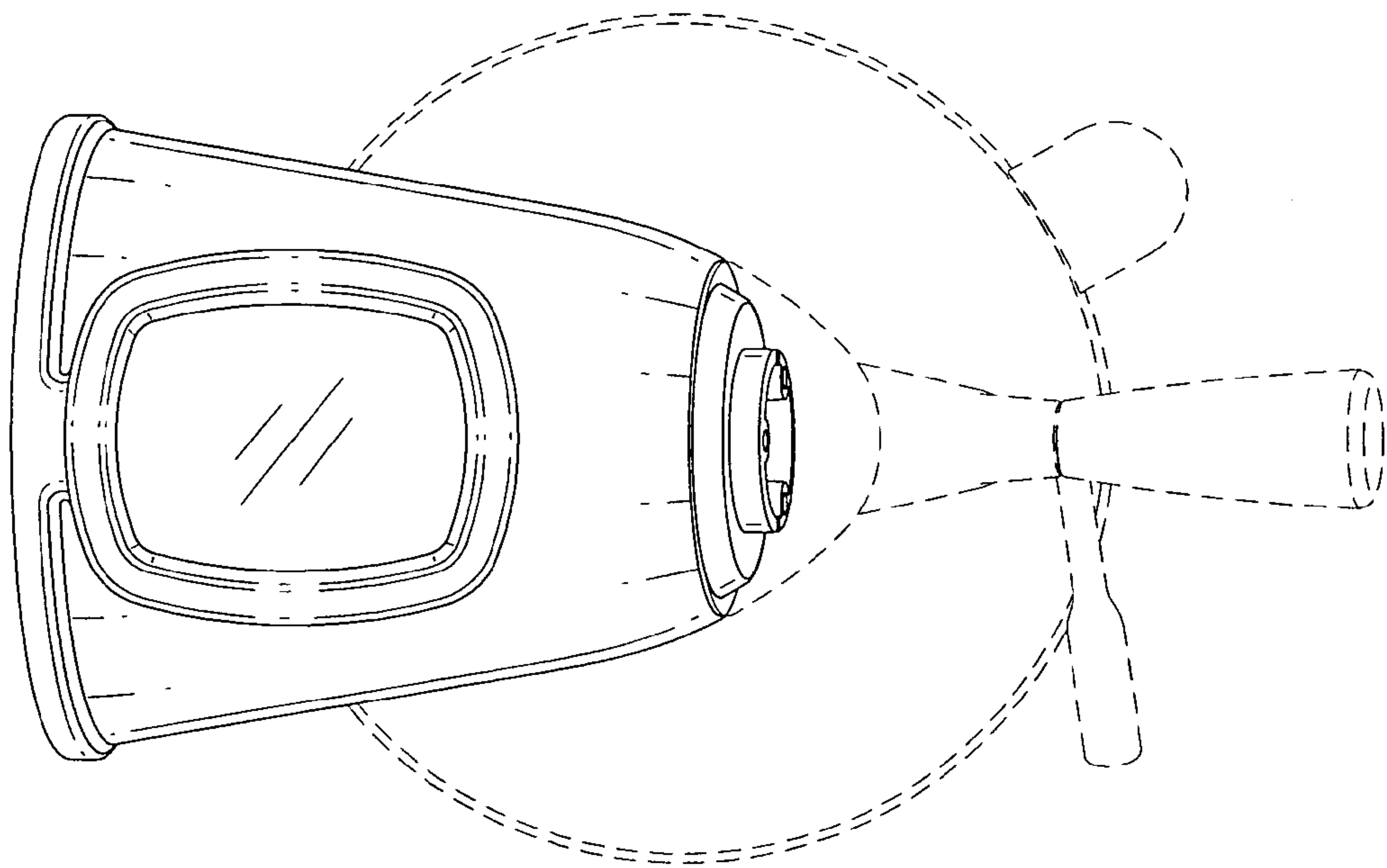


FIG.6

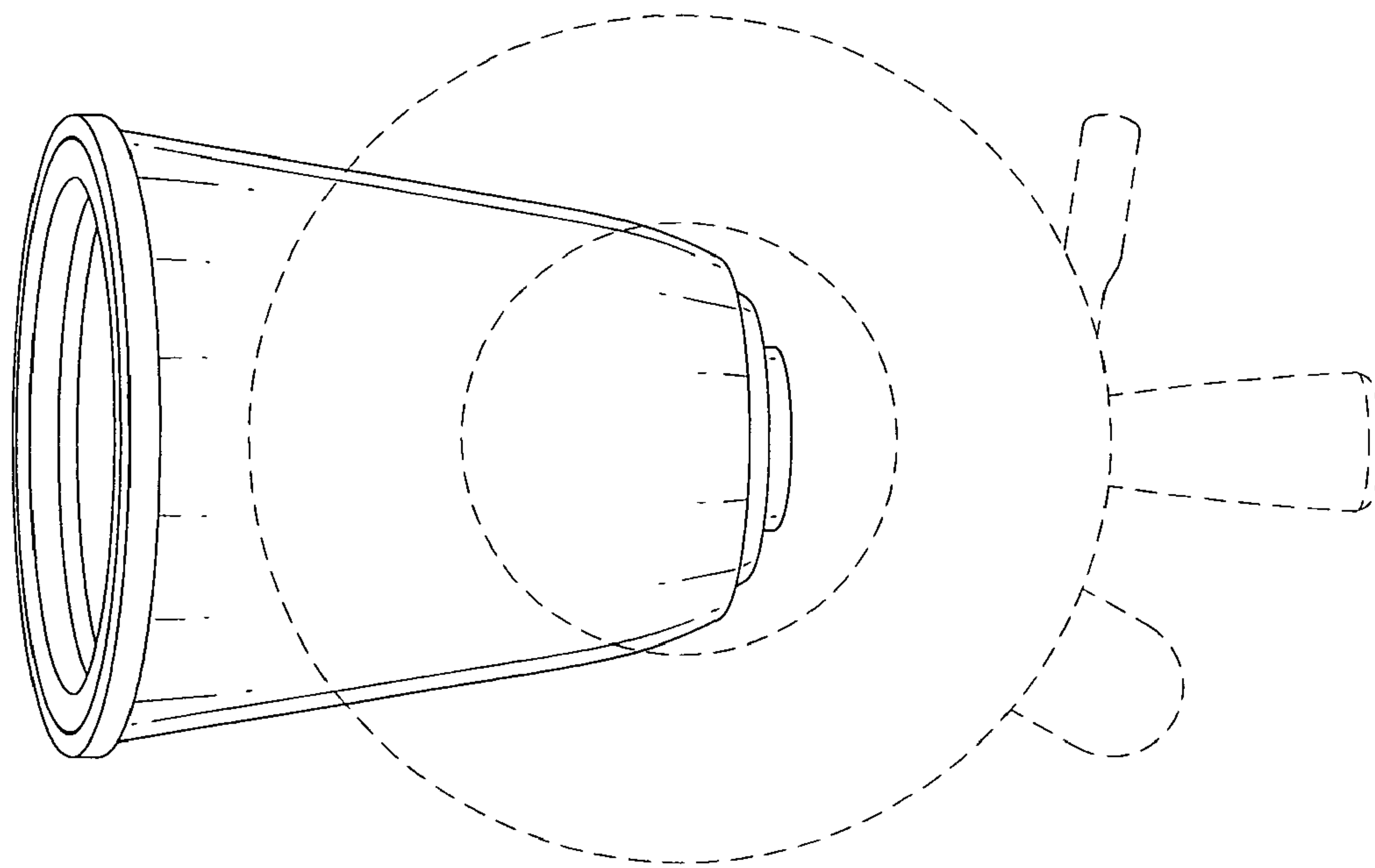


FIG.7