

US00D641594S

(12) **United States Design Patent**
Huang

(10) **Patent No.:** **US D641,594 S**

(45) **Date of Patent:** **** Jul. 19, 2011**

(54) **CONTAINER**

(76) **Inventor:** **Chiu-Yun Huang**, Taichung County (TW)

(**) **Term:** **14 Years**

(21) **Appl. No.:** **29/361,761**

(22) **Filed:** **May 14, 2010**

(51) **LOC (9) Cl.** **07-01**

(52) **U.S. Cl.** **D7/629; D7/608**

(58) **Field of Classification Search** D7/509, D7/510, 511, 523, 533, 538, 542, 543, 545, D7/566, 601, 602, 603, 605, 608, 619.1, 622, D7/629, 630, 393, 395; 215/200, 316, 318, 215/379, 381-385, 396, 397; 220/592.16, 220/592.17, 592.2, 592.21, 592.22, 592.28, 220/495.02, 495.03, 200, 345.1, 796, 62.11, 220/62.12, 660, 669, 675

See application file for complete search history.

(56) **References Cited**

U.S. PATENT DOCUMENTS

D157,637 S *	3/1950	Shawver	D7/608
D180,928 S *	9/1957	Bliss	D7/608
D188,553 S *	8/1960	Tupper	D7/542
D200,979 S *	4/1965	Pikey	D7/608
D249,465 S *	9/1978	MacTavish	D34/39
D249,466 S *	9/1978	Parrish, Sr.	D34/39
D261,088 S *	10/1981	Akimov et al.	D7/608
D262,856 S *	2/1982	MacTavish et al.	D7/320
4,399,926 A *	8/1983	Eidels-Dubovoy	220/288
4,537,044 A *	8/1985	Putnam	62/371

4,932,225 A *	6/1990	Bighthouse	62/457.4
D338,130 S *	8/1993	Costello	D7/320
D370,153 S *	5/1996	Chaney et al.	D7/511
D400,407 S *	11/1998	Platte	D7/629
D405,654 S *	2/1999	Moran	D7/629
D476,532 S *	7/2003	Edwards	D7/603
D518,335 S *	4/2006	Naft et al.	D7/608
D526,827 S *	8/2006	Allen et al.	D7/306
D530,161 S *	10/2006	Carreno et al.	D7/629
D546,130 S *	7/2007	Morales	D7/608
D546,131 S *	7/2007	Morales	D7/608
D557,994 S *	12/2007	Wahl	D7/629
D587,534 S *	3/2009	Carreno	D7/629
D593,372 S *	6/2009	Carreno	D7/629
D622,089 S *	8/2010	Daniel et al.	D7/313

* cited by examiner

Primary Examiner — Stella M Reid

Assistant Examiner — Elizabeth J Oswecki

(74) *Attorney, Agent, or Firm* — Muncy, Geissler, Olds & Lowe, PLLC

(57) **CLAIM**

The ornamental design for a container, as shown and described.

DESCRIPTION

FIG. 1 is a perspective view of a container showing my new design thereof;

FIG. 2 is a front side elevational view thereof;

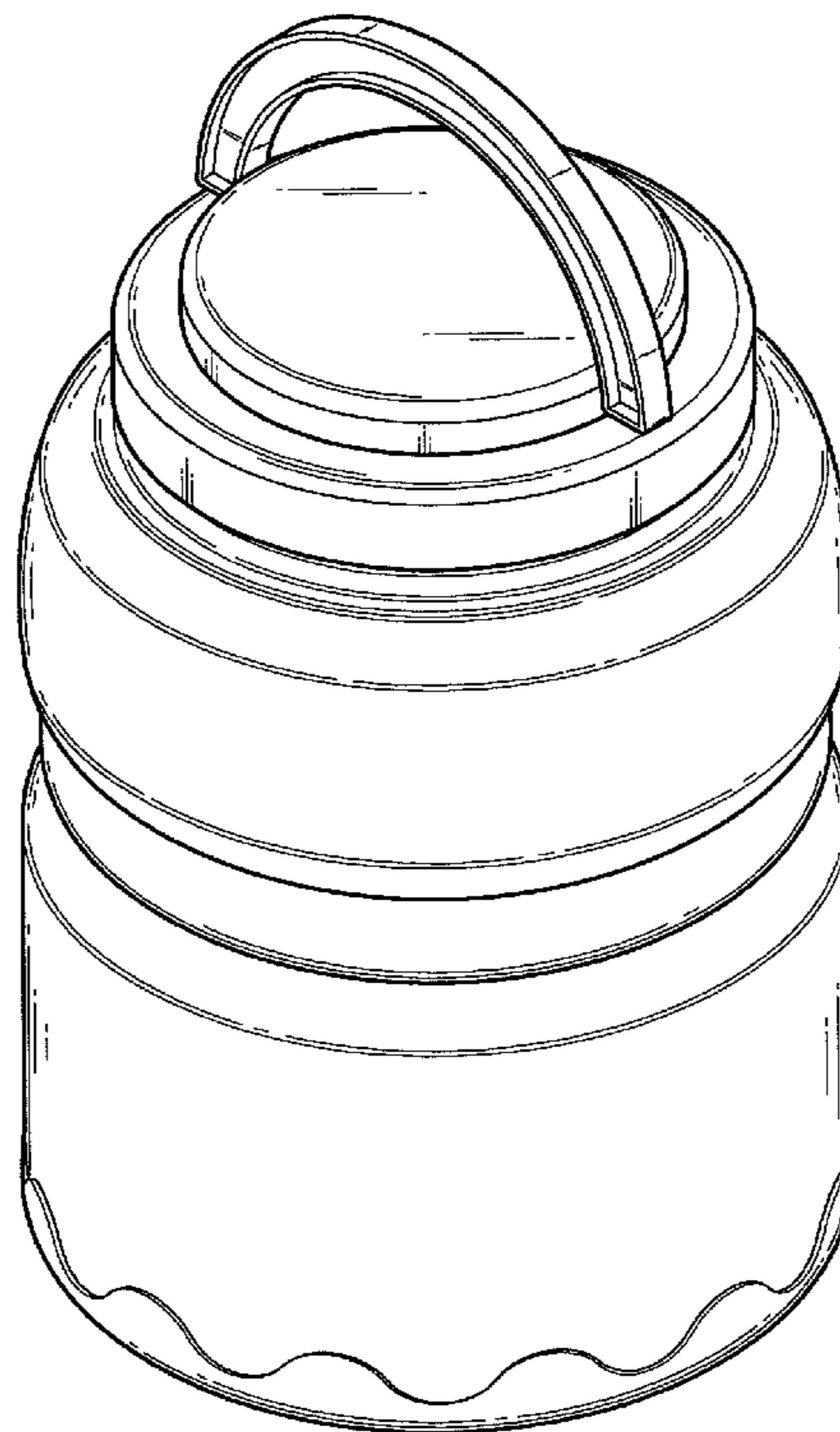
FIG. 3 is a rear side elevational view thereof;

FIG. 4 is a left side elevational view thereof;

FIG. 5 is a right side elevational view thereof; and,

FIG. 6 is a top plan view thereof.

1 Claim, 6 Drawing Sheets



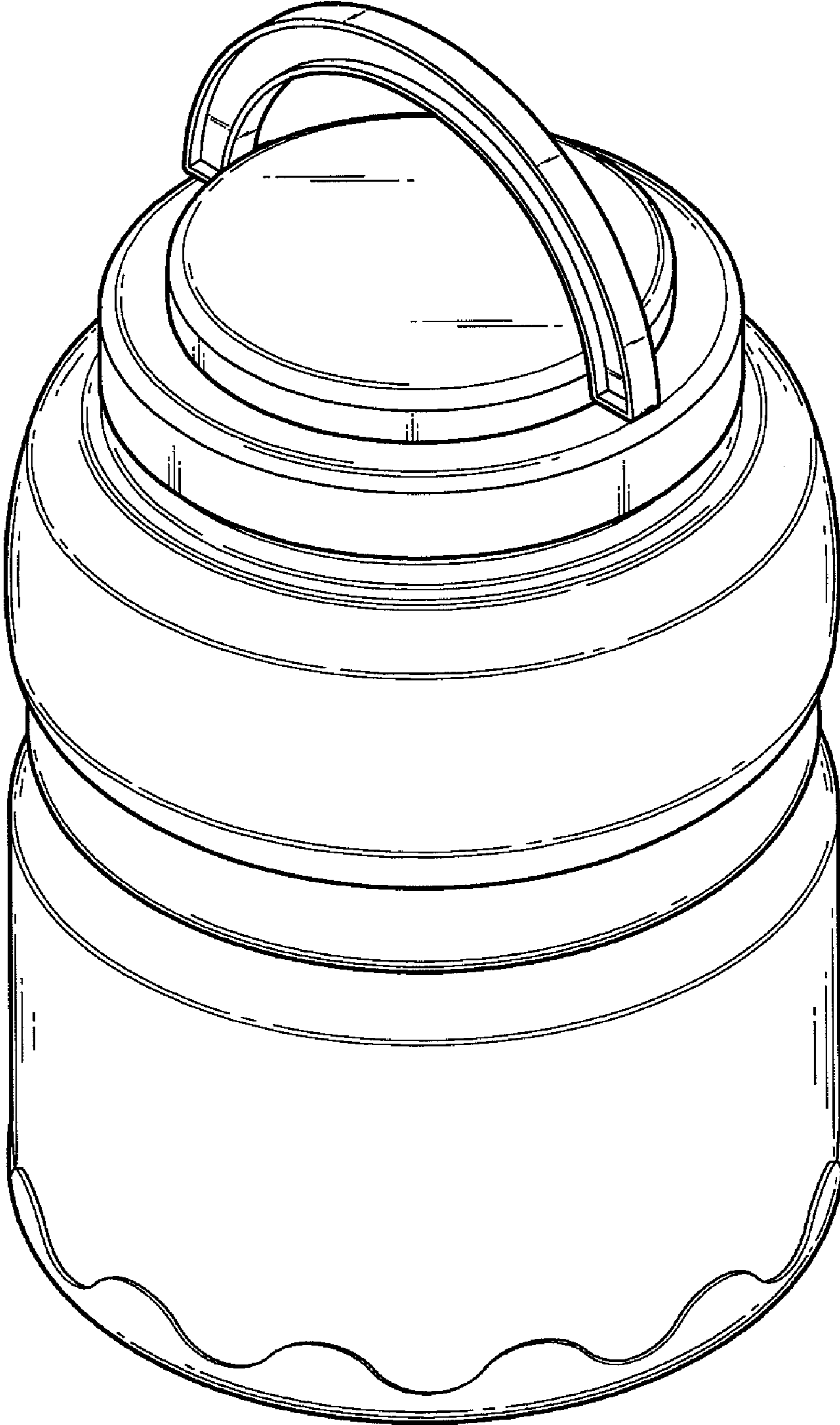


Fig . 1

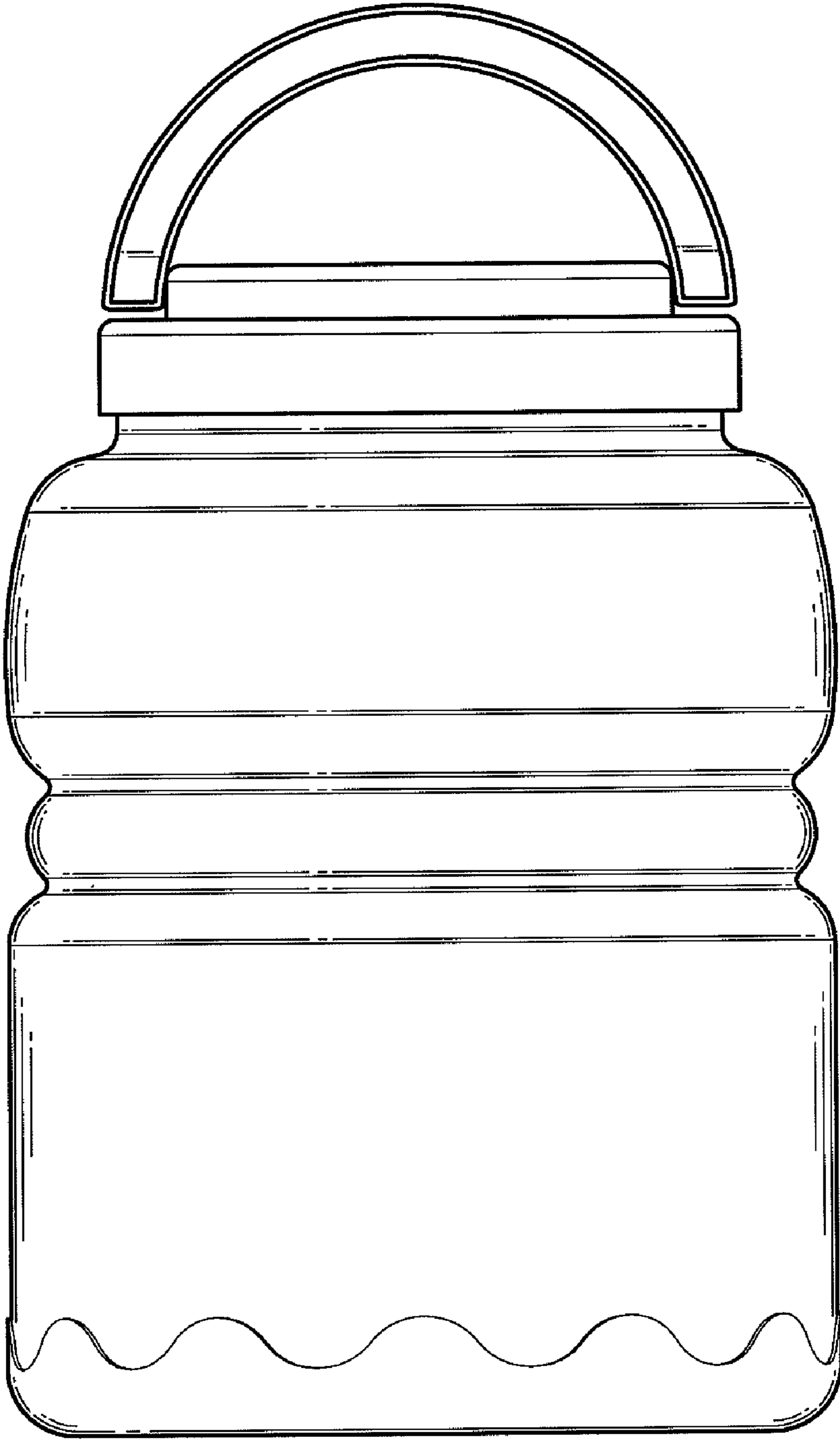


Fig . 2

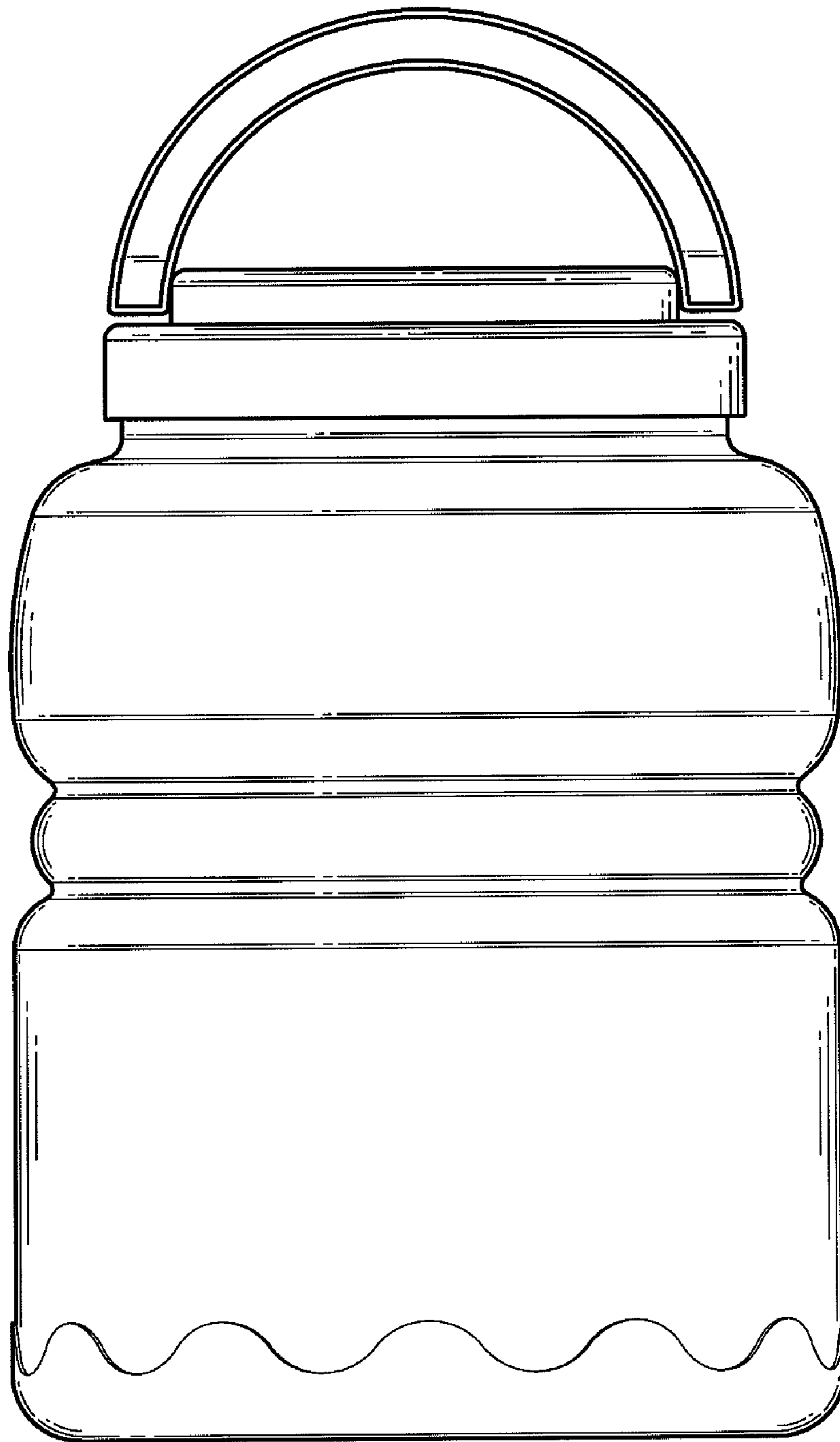


Fig . 3

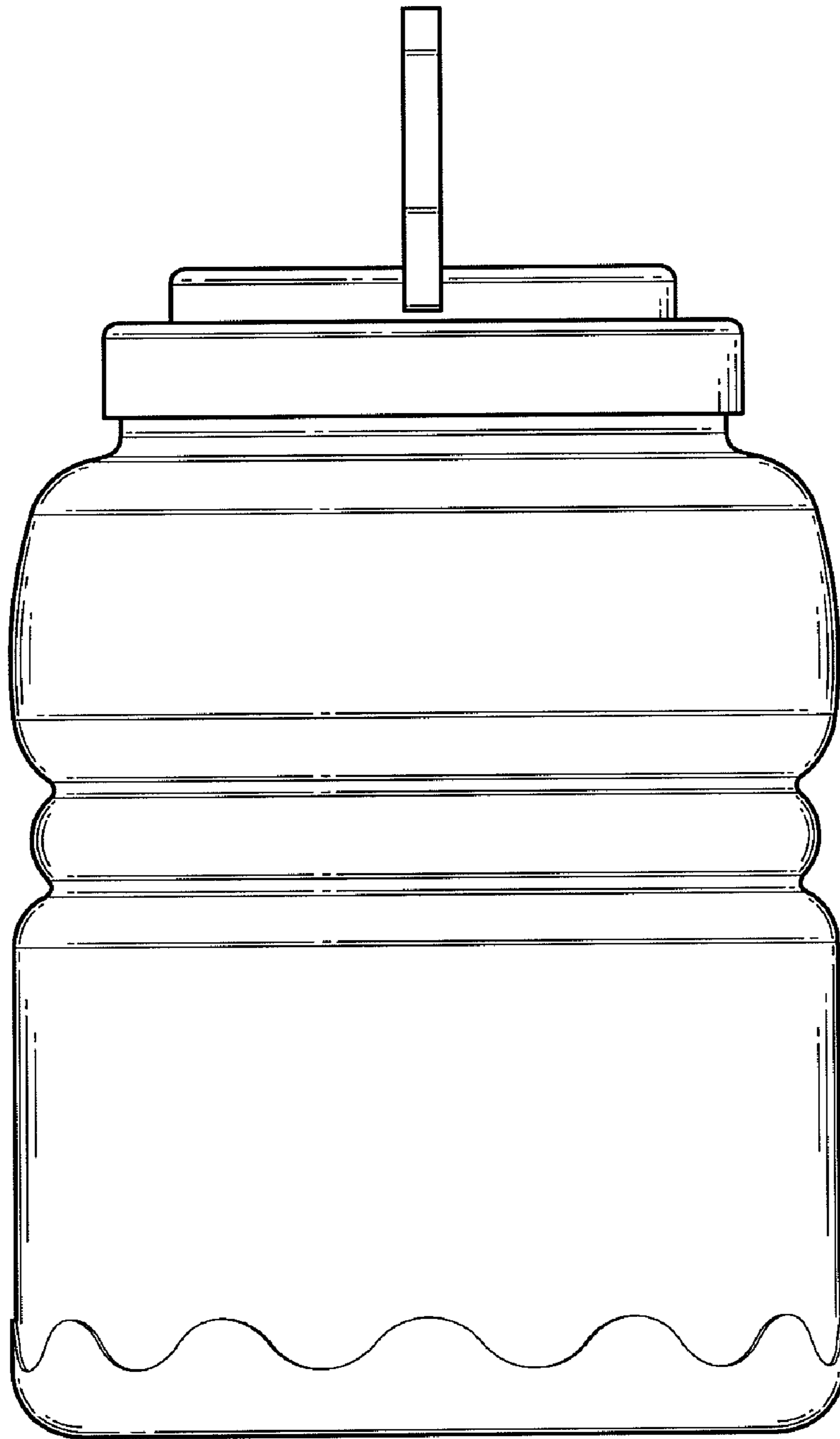


Fig . 4

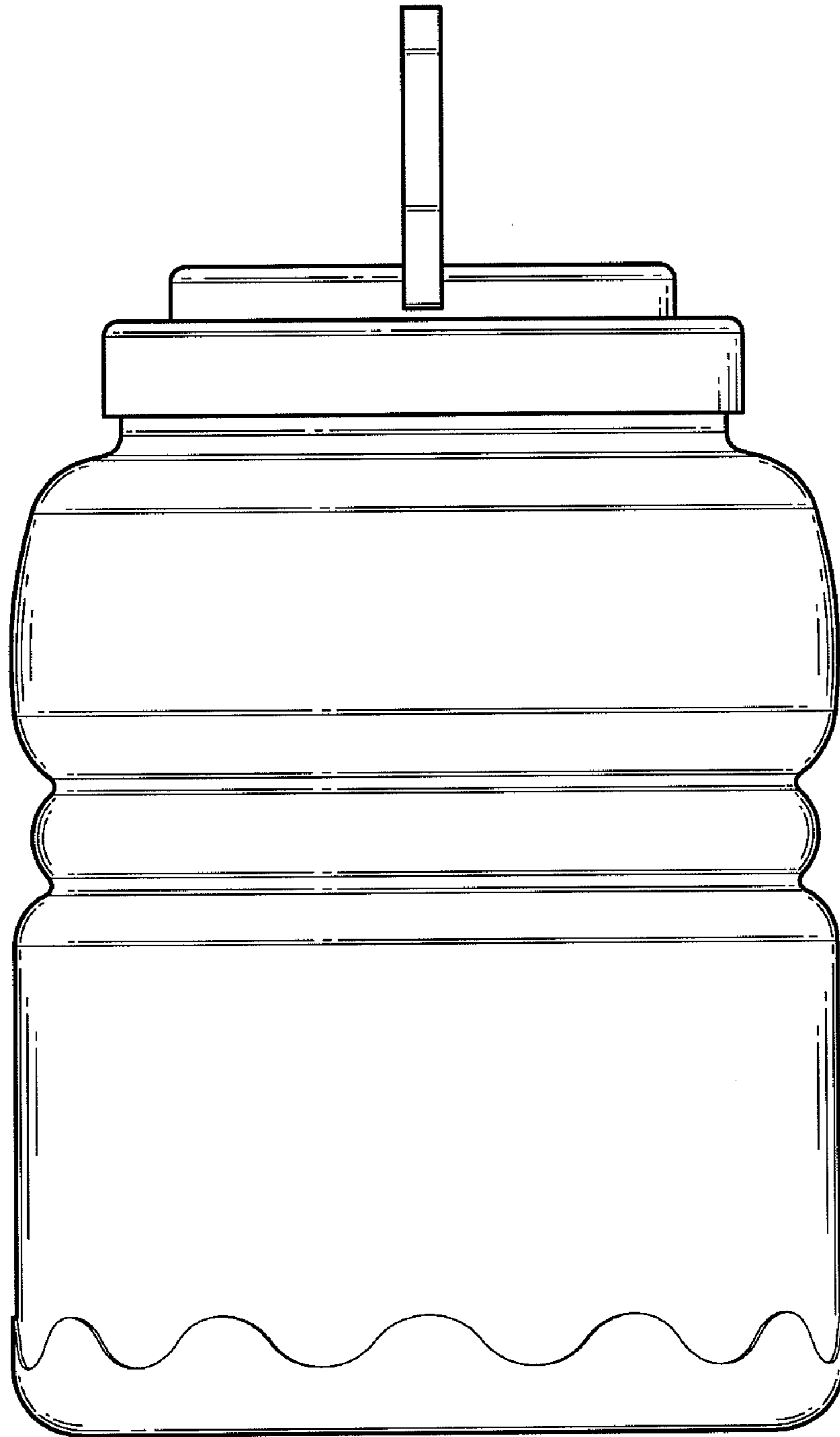


Fig . 5

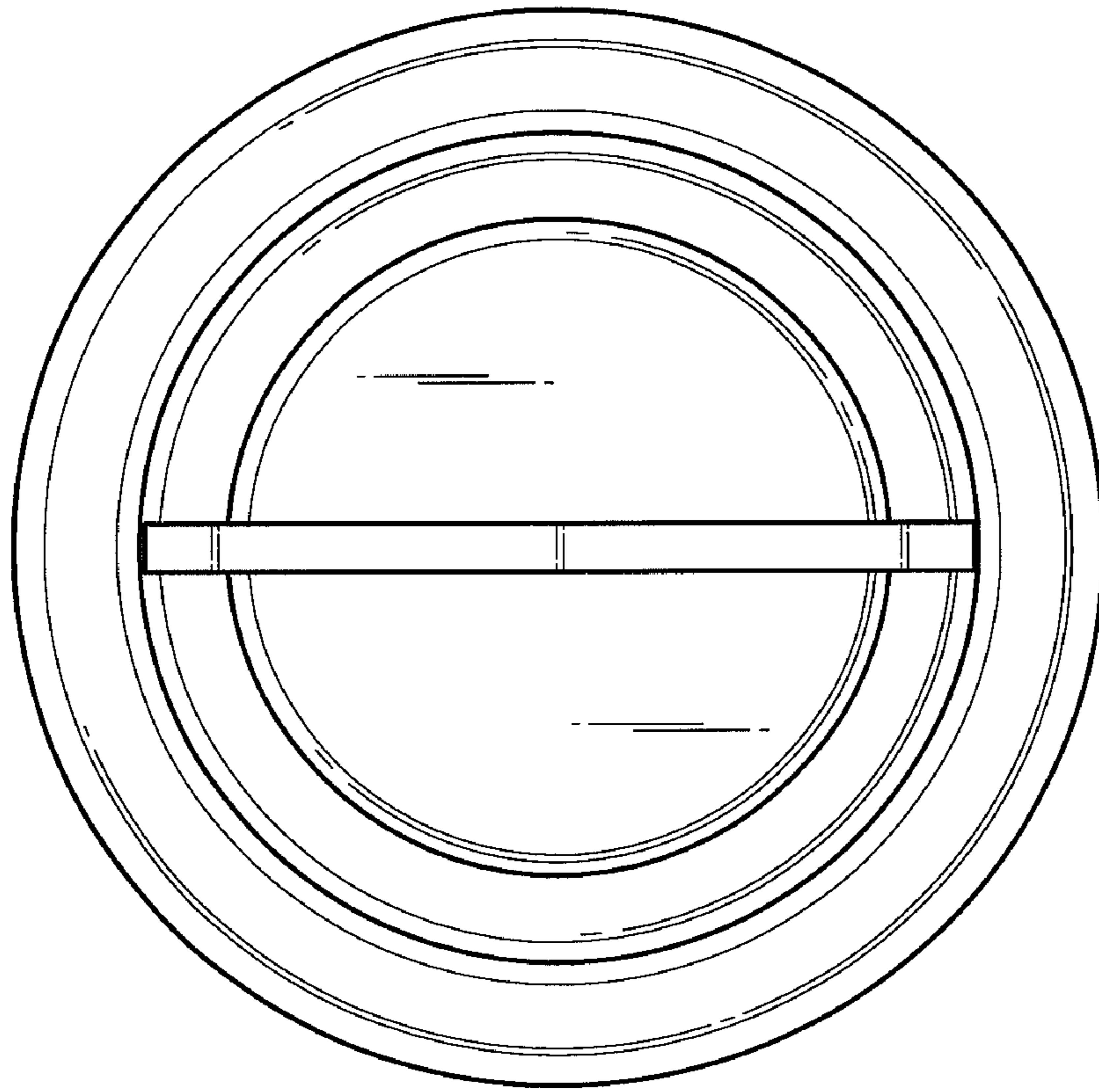


Fig . 6