

US00D641593S

(12) **United States Design Patent**
Fiumani

(10) **Patent No.:** **US D641,593 S**

(45) **Date of Patent:** **** Jul. 19, 2011**

(54) **BEVERAGE CAN HOLDER**

(76) Inventor: **Mario Fiumani**, Glendale, CA (US)

(**) Term: **14 Years**

(21) Appl. No.: **29/378,956**

(22) Filed: **Nov. 11, 2010**

(51) **LOC (9) Cl.** **07-01**

(52) **U.S. Cl.** **D7/625; D7/606**

(58) **Field of Classification Search** D7/603-608,
D7/619.1-625; D9/444; 62/457.1-457.9,
62/371, 372, 529, 530; 220/737-739, 902,
220/903, 592.16, 592.17; 215/392-396
See application file for complete search history.

(56) **References Cited**

U.S. PATENT DOCUMENTS

D401,849 S *	12/1998	Bernard	D9/621
D497,780 S *	11/2004	Hicks et al.	D7/624.2
D504,051 S *	4/2005	Hanson	D7/625
D515,367 S *	2/2006	Zacharias et al.	D7/625
D516,387 S *	3/2006	Zacharias et al.	D7/625

D524,608 S *	7/2006	Zacharias et al.	D7/625
D537,356 S *	2/2007	Scherer	D9/621
D553,447 S *	10/2007	Ploog et al.	D7/625
D567,031 S *	4/2008	Zacharias et al.	D7/624.3

* cited by examiner

Primary Examiner — Terry Wallace

(74) *Attorney, Agent, or Firm* — Blakely, Sokoloff, Taylor & Zafman

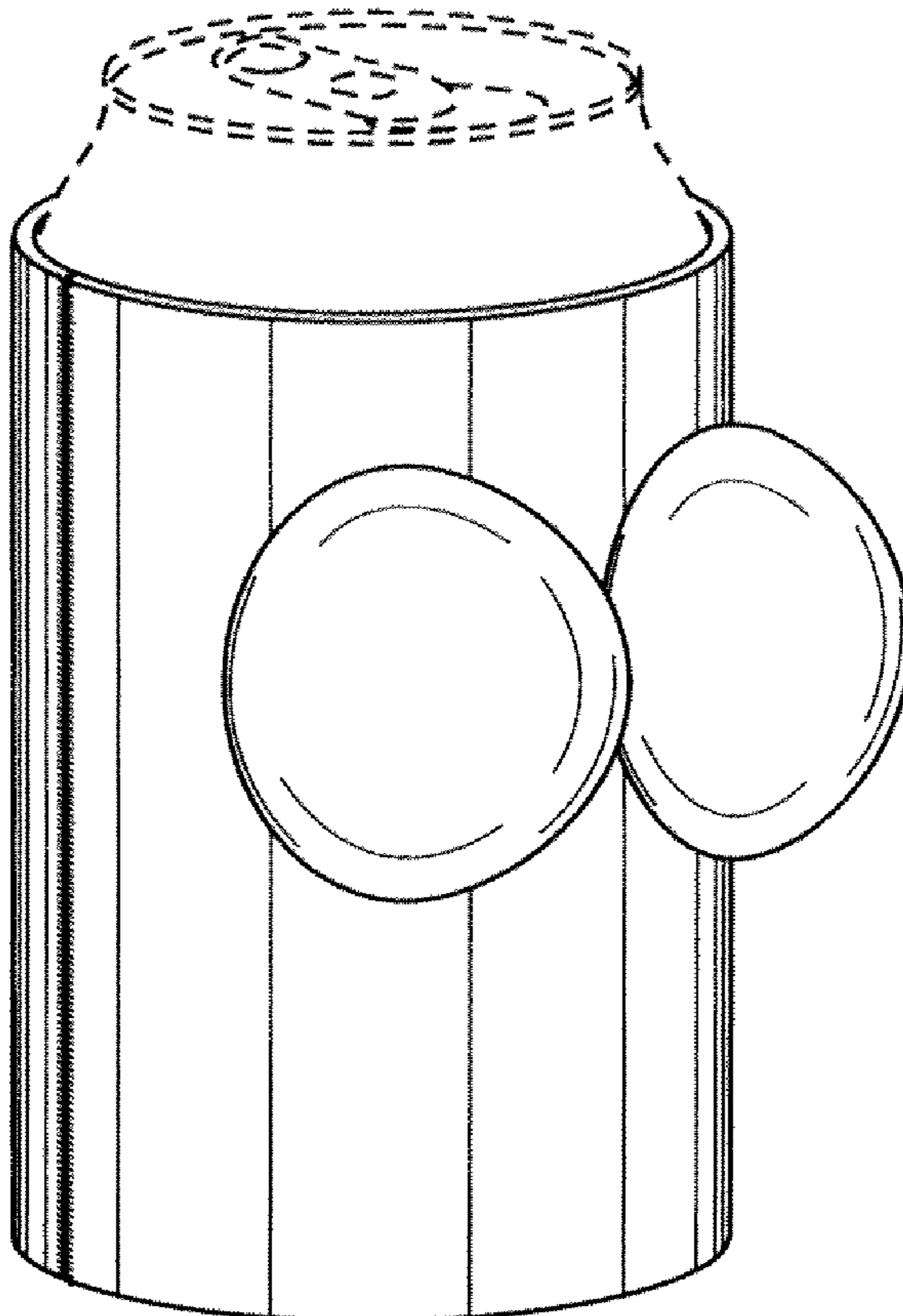
(57) **CLAIM**

The design for beverage can holder, as shown and described.

DESCRIPTION

FIG. 1 is a front side perspective view of my inventive design.
FIG. 2 is a top plan view thereof.
FIG. 3 is a bottom plan view thereof.
FIG. 4 is a front elevation view thereof.
FIG. 5 is a rear elevation view thereof.
FIG. 6 is a side elevation view thereof; and,
FIG. 7 is a side elevation view from the other side thereof.
The portions shown in shadow line represent the environment
of a beverage can, and do not form a part of the design.

1 Claim, 4 Drawing Sheets



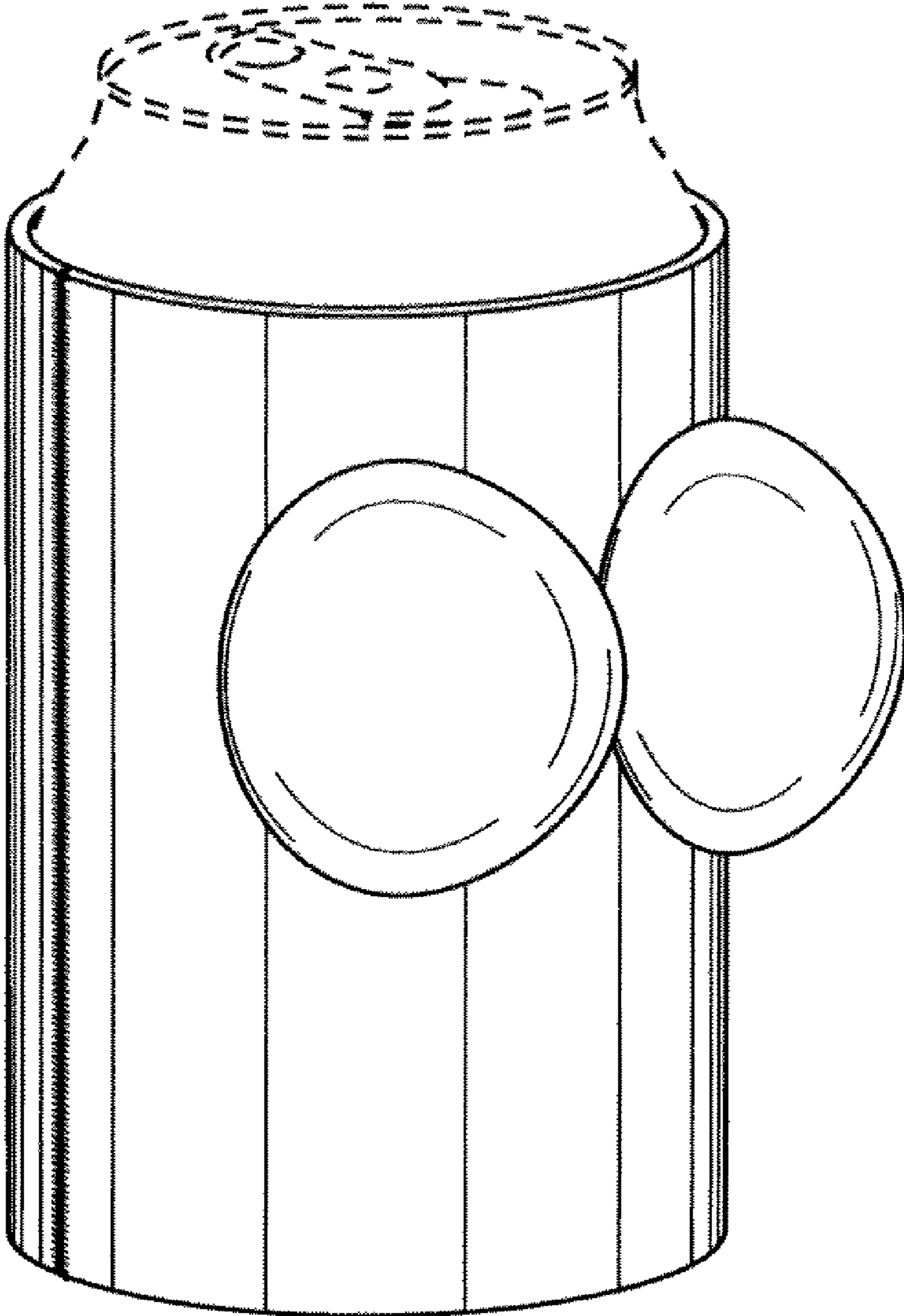


FIG. 1

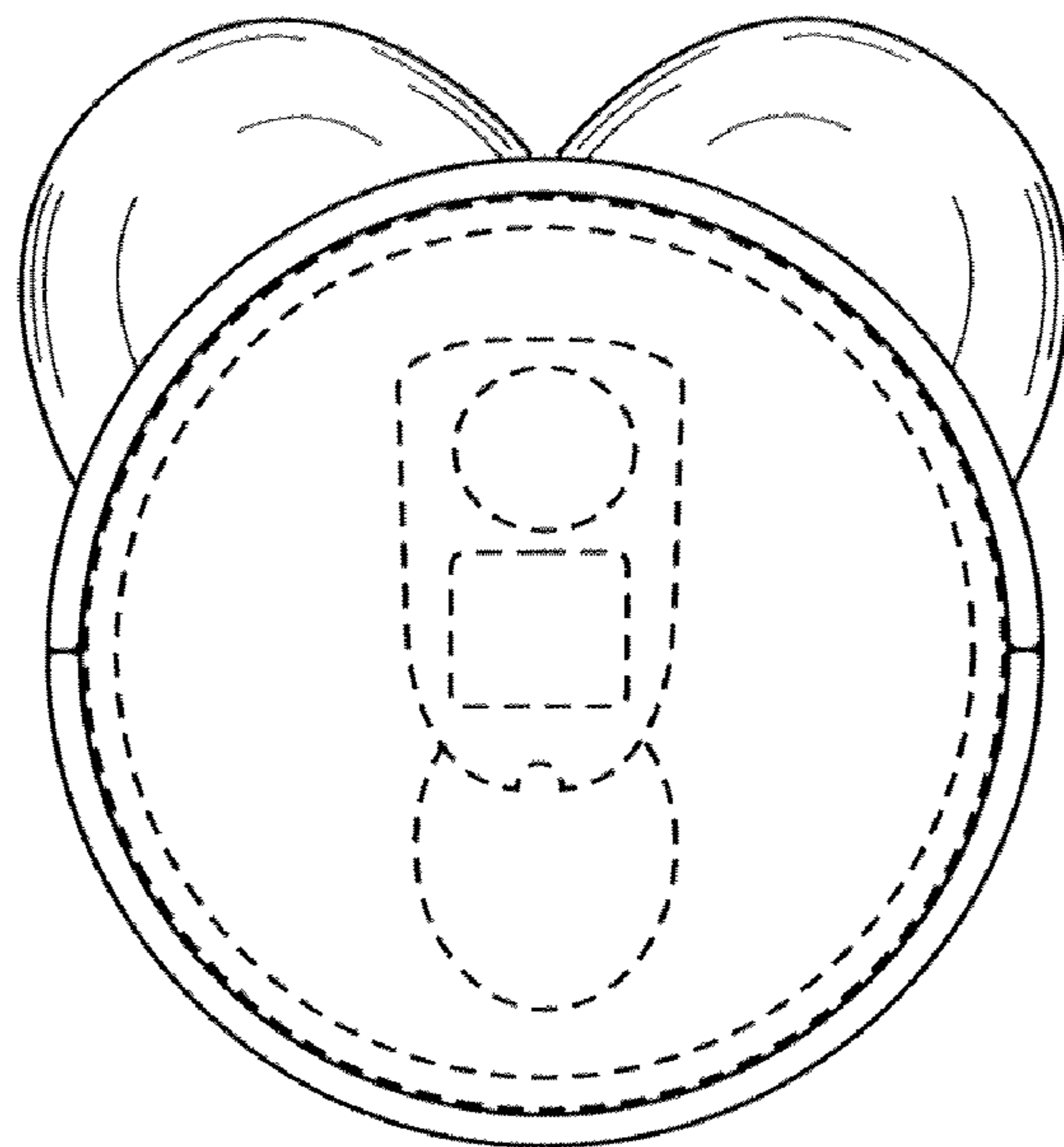


FIG. 2

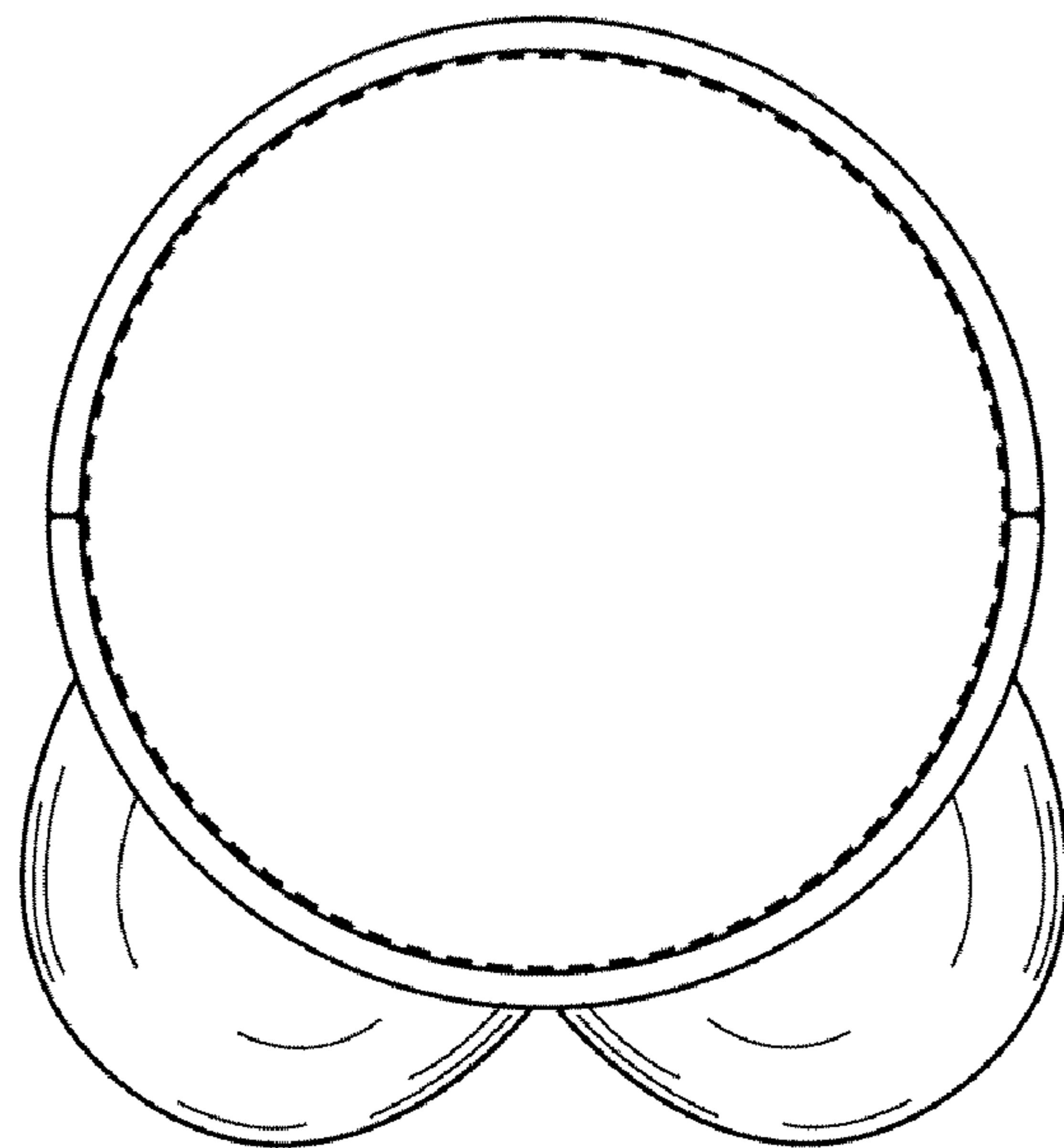


FIG. 3

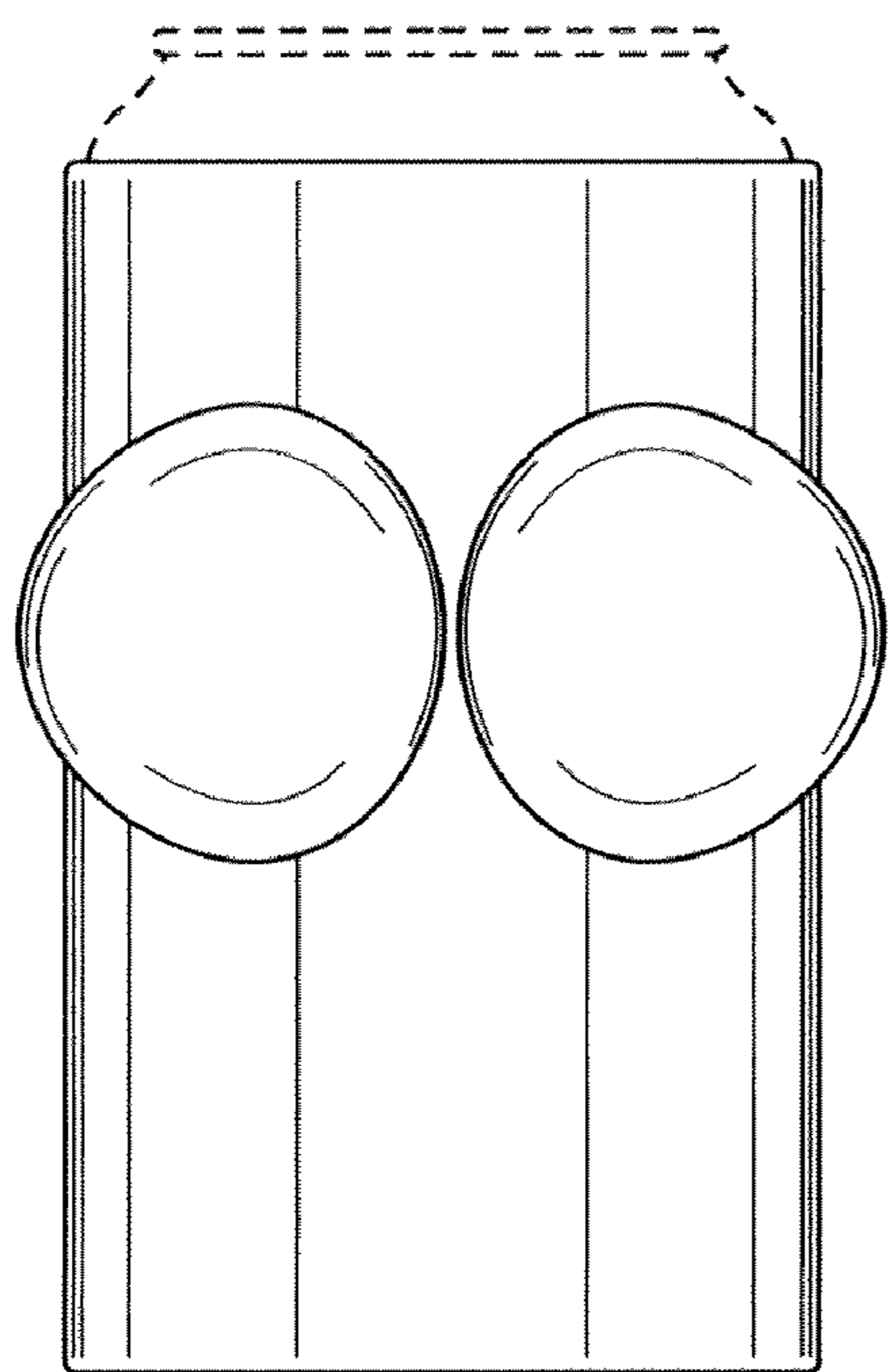


FIG. 4

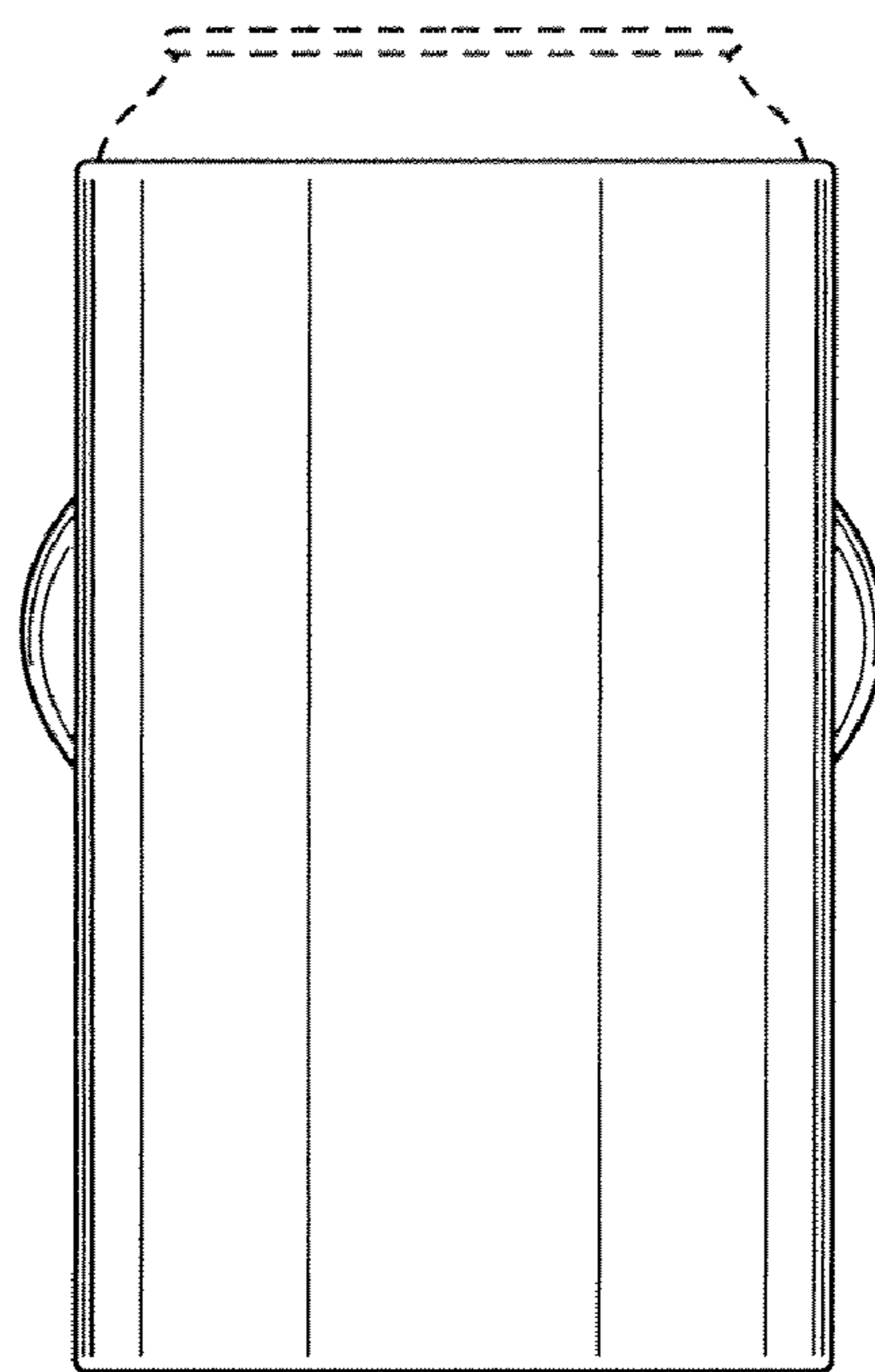


FIG. 5

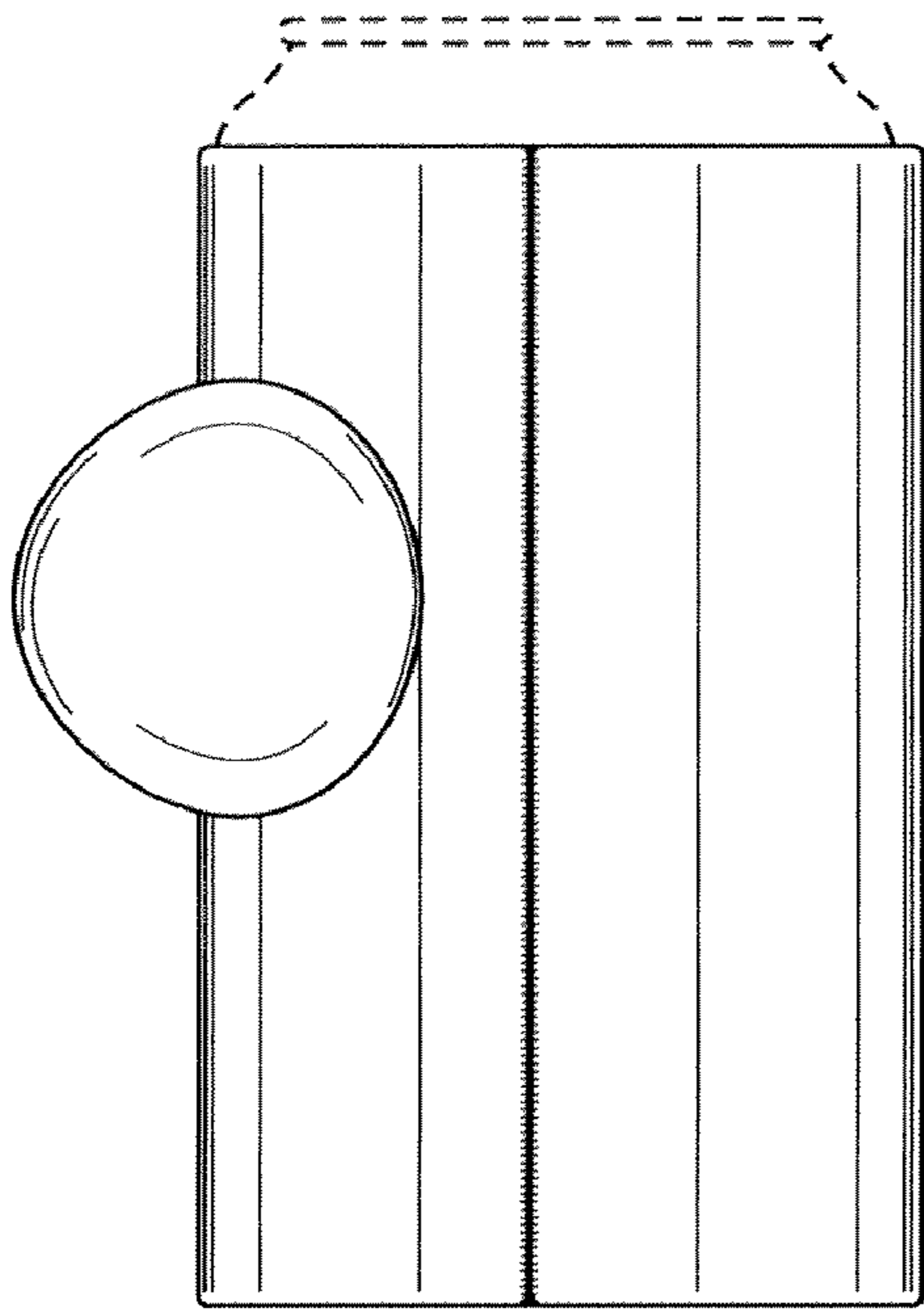


FIG. 6

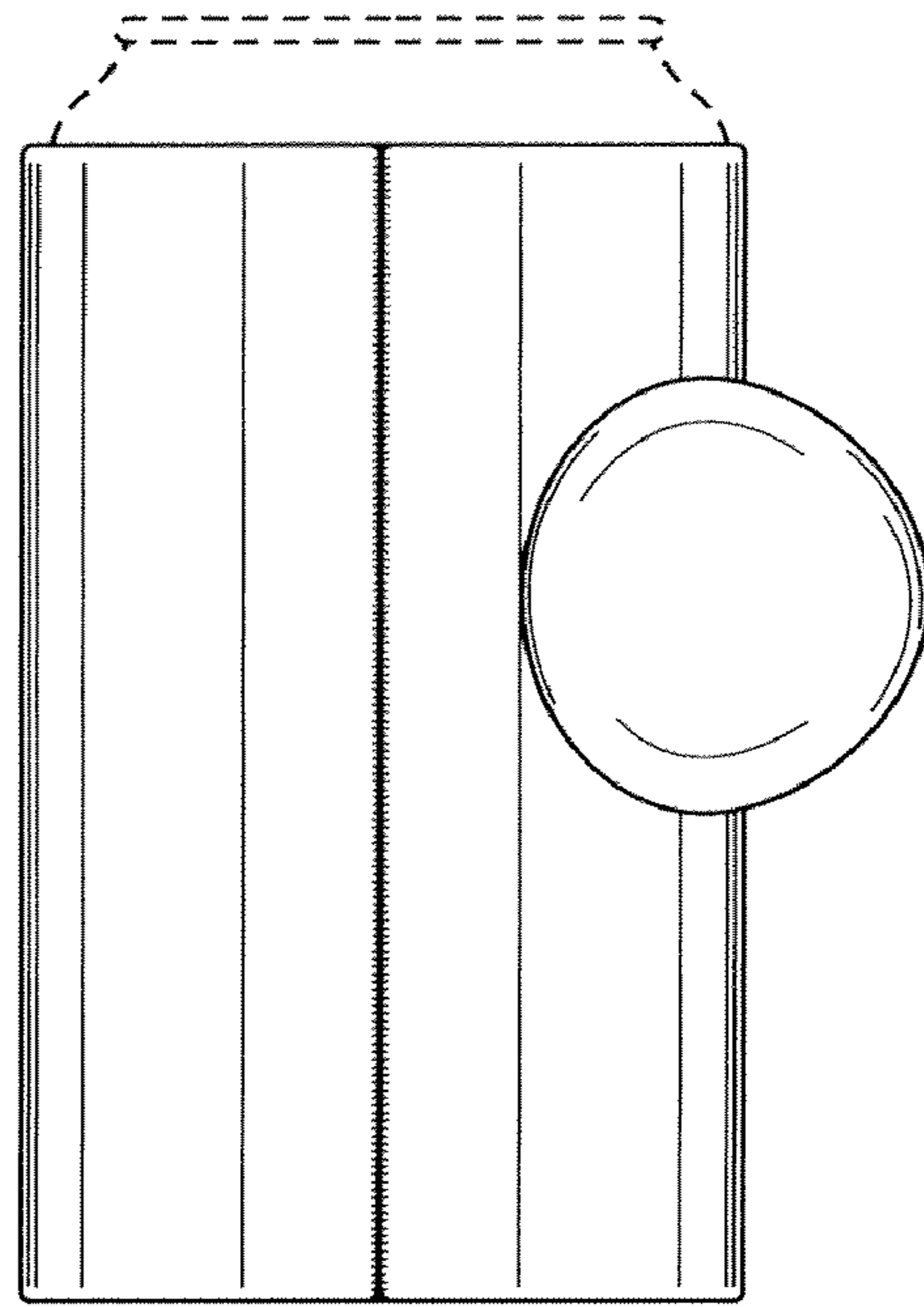


FIG. 7