



US00D641592S

(12) **United States Design Patent**
Davis

(10) **Patent No.:** **US D641,592 S**
(45) **Date of Patent:** **** Jul. 19, 2011**

(54) **NESTING CONTAINER**

(75) Inventor: **Warren Brent Davis**, Springfield, MO (US)

(73) Assignee: **Bristol Manufacturing Corporation**, Davison, MO (US)

(**) Term: **14 Years**

(21) Appl. No.: **29/353,280**

(22) Filed: **Jan. 6, 2010**

(51) **LOC (9) Cl.** **09-02**

(52) **U.S. Cl.** **D7/615**

(58) **Field of Classification Search** D7/509, D7/523, 530, 531, 532, 584, 586, 601-603, D7/619.1, 619.2, 612, 614, 615, 701, 703, D7/707, 708, 621, 622; D9/737, 738, 744, D9/745, 500, 551, 556, 558; 215/379, 381-385, 215/6, 10; 220/592.16, 592.17, 495.01, 495.03, 220/23.4, 23.6, 23.87, 23.9, 500, 501, 506, 220/62.11, 62.12, 600, 608, 660, 669, 670, 220/675

See application file for complete search history.

(56) **References Cited**

U.S. PATENT DOCUMENTS

3,288,340 A	11/1966	Shapiro et al.	
3,531,013 A	9/1970	Hammes	
3,811,597 A *	5/1974	Frankenberg et al.	220/284
D237,136 S *	10/1975	Swatt	D7/615
D241,228 S *	8/1976	Boduchi	D9/428
D241,801 S *	10/1976	Colato	D7/531
D245,896 S *	9/1977	Philippon	D9/425
D267,929 S *	2/1983	Torterotot	D7/612
4,971,215 A	11/1990	Santoni	
D322,032 S	12/1991	Pallsin, Jr.	
5,201,437 A	4/1993	Burgdorf	
D338,636 S *	8/1993	Moore	D11/152
5,256,051 A	10/1993	Langos et al.	

D352,210 S *	11/1994	Cousins et al.	D7/612
D359,150 S	6/1995	Malik et al.	
D367,996 S *	3/1996	Rausch	D7/602
5,607,075 A	3/1997	Burgdorf et al.	
5,685,452 A	11/1997	Kristoffersson	
D390,422 S *	2/1998	Daenen et al.	D7/615
5,713,482 A	2/1998	Bordner et al.	
5,785,201 A	7/1998	Bordner et al.	
5,918,757 A	7/1999	Przytulla et al.	
5,947,320 A	9/1999	Bordner et al.	
6,116,500 A	9/2000	Cahill	
6,401,957 B1	6/2002	Przytulla	
D470,725 S *	2/2003	Basara	D7/603
D489,501 S *	5/2004	Dretzka	D34/1
D514,895 S *	2/2006	van Elderen	D7/615
D523,292 S *	6/2006	Eastman, III	D7/615

(Continued)

FOREIGN PATENT DOCUMENTS

EP 0 784 020 A1 7/1997

(Continued)

Primary Examiner — Stella Reid

Assistant Examiner — Elizabeth J Oswecki

(74) *Attorney, Agent, or Firm* — Husch Blackwell LLP

(57) **CLAIM**

The ornamental design for nesting container, as shown and described.

DESCRIPTION

FIG. 1. is a perspective view of the nesting container of the subject invention.

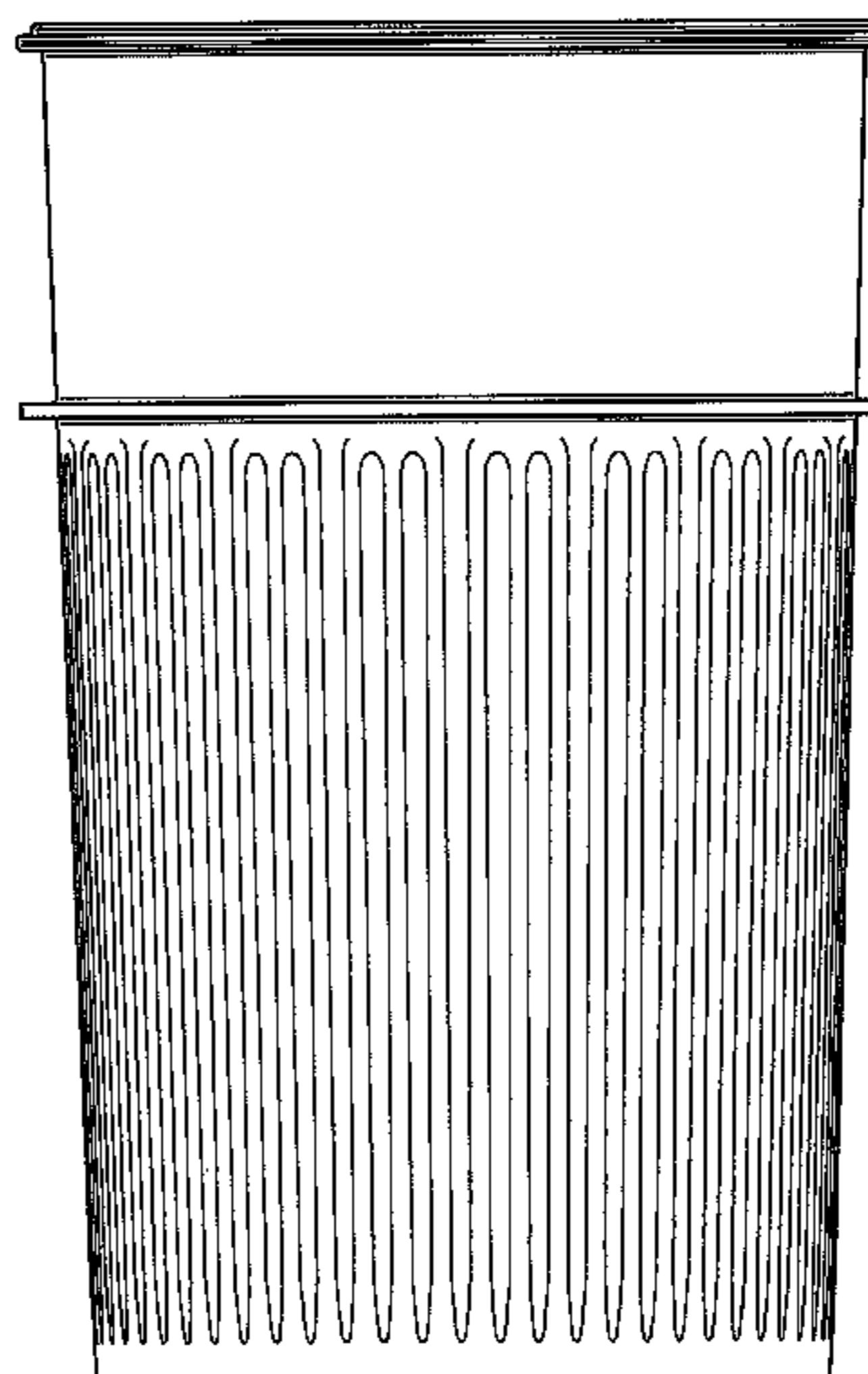
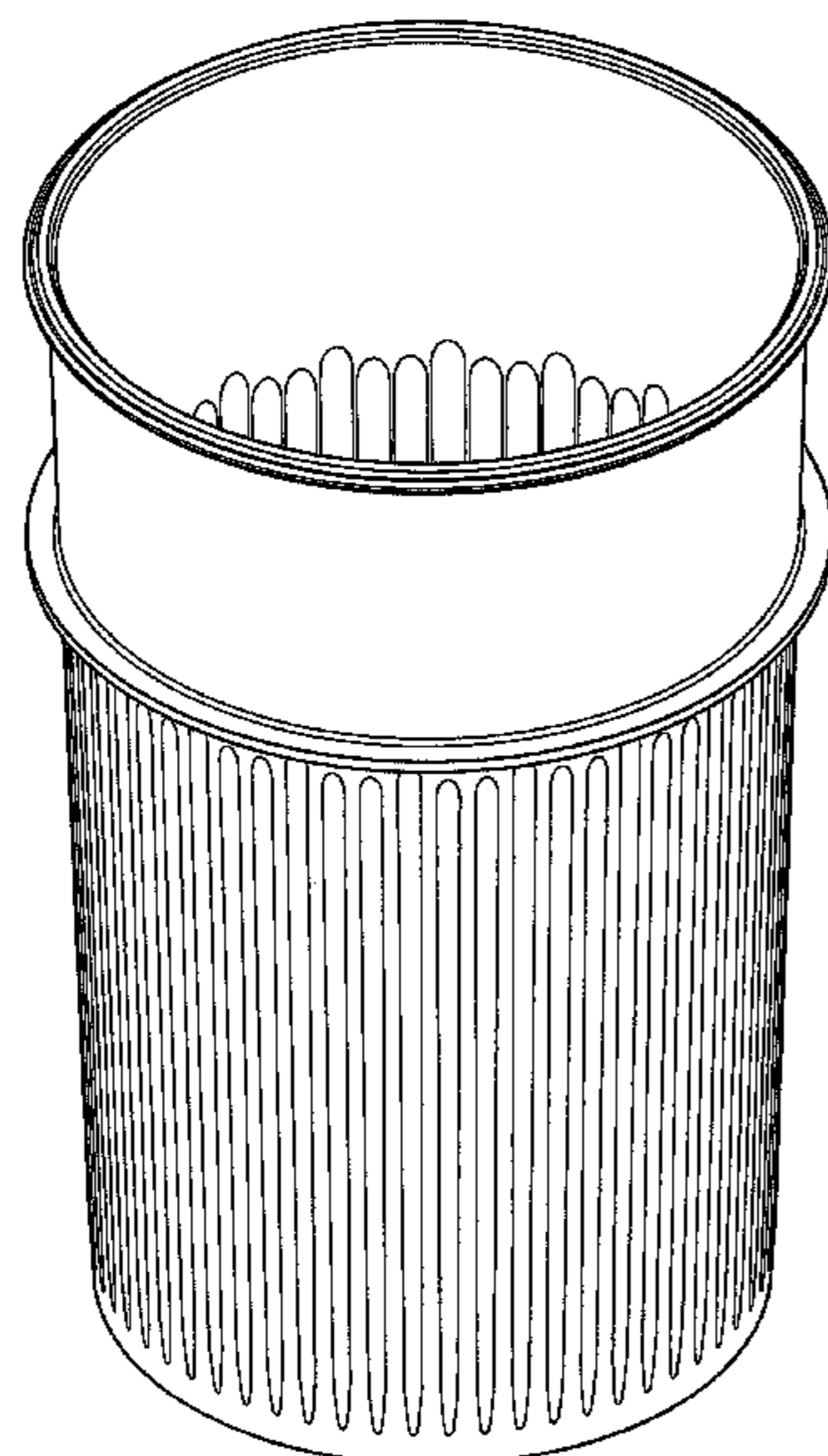
FIG. 2 is a front view of the nesting container of FIG. 1, the left, right side, and rear view being identical thereto.

FIG. 3. is a bottom view of the nesting container of FIG. 1; and,

FIG. 4. is a top view of the nesting container of FIG. 1.

In the drawings, the broken lines in FIGS. 3 and 4 depict portions of the design that form no part of the claim.

1 Claim, 3 Drawing Sheets



US D641,592 S

Page 2

U.S. PATENT DOCUMENTS

7,216,769 B2 5/2007 Palder
D558,532 S * 1/2008 Peterson D7/615
D573,390 S * 7/2008 Ablo D7/300
D574,191 S * 8/2008 Ablo D7/531
D577,253 S * 9/2008 Bodum D7/400
D582,730 S * 12/2008 Kim D7/615
D618,967 S * 7/2010 Bodum D7/615

2005/0040068 A1 2/2005 Palder
2005/0224505 A1* 10/2005 Brown et al. 220/792
2007/0017920 A1 1/2007 Davis
2007/0205128 A1 9/2007 Davis

FOREIGN PATENT DOCUMENTS

GB 2 075 462 A 11/1981

* cited by examiner

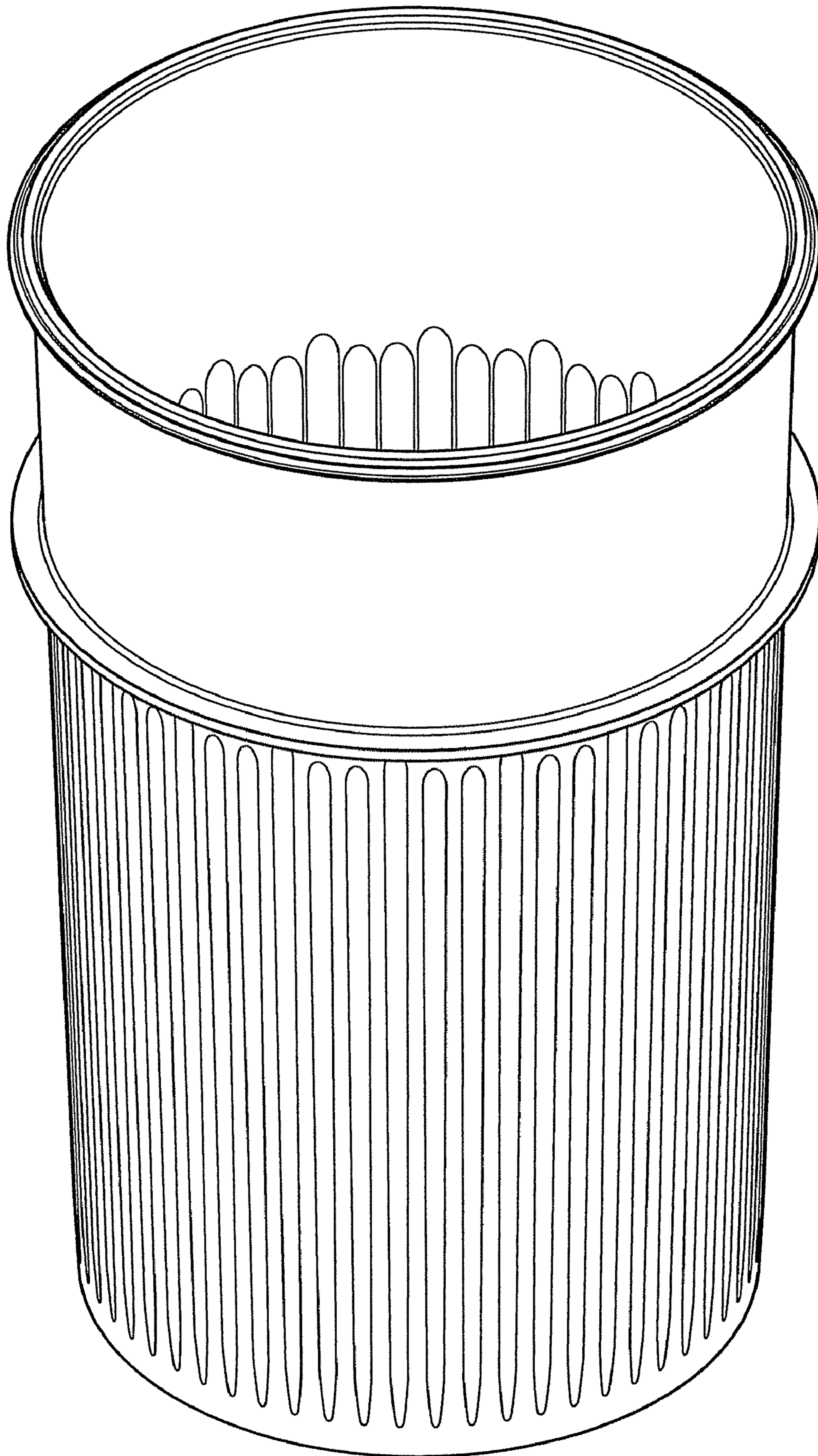


FIG. 1

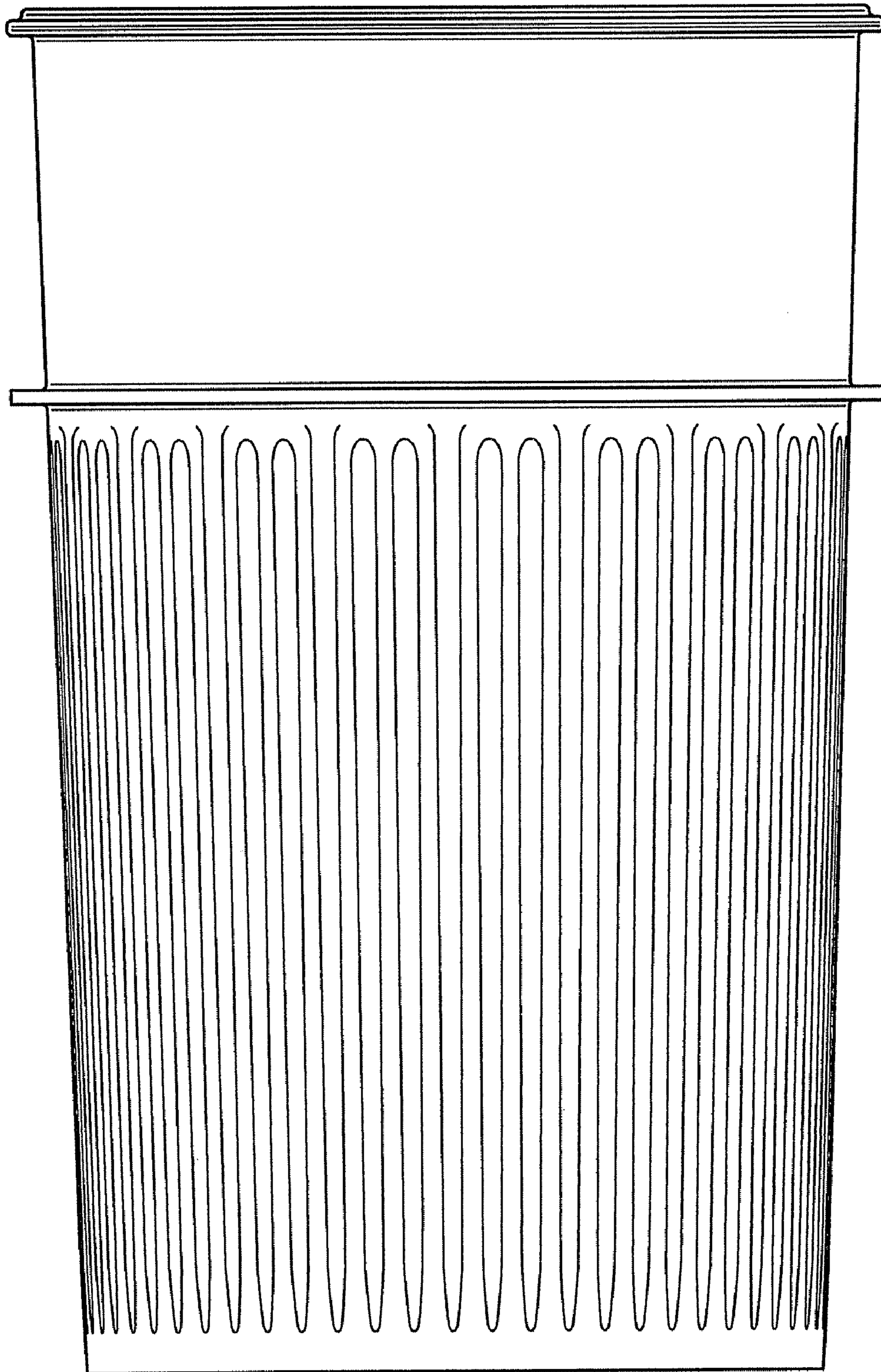


FIG. 2

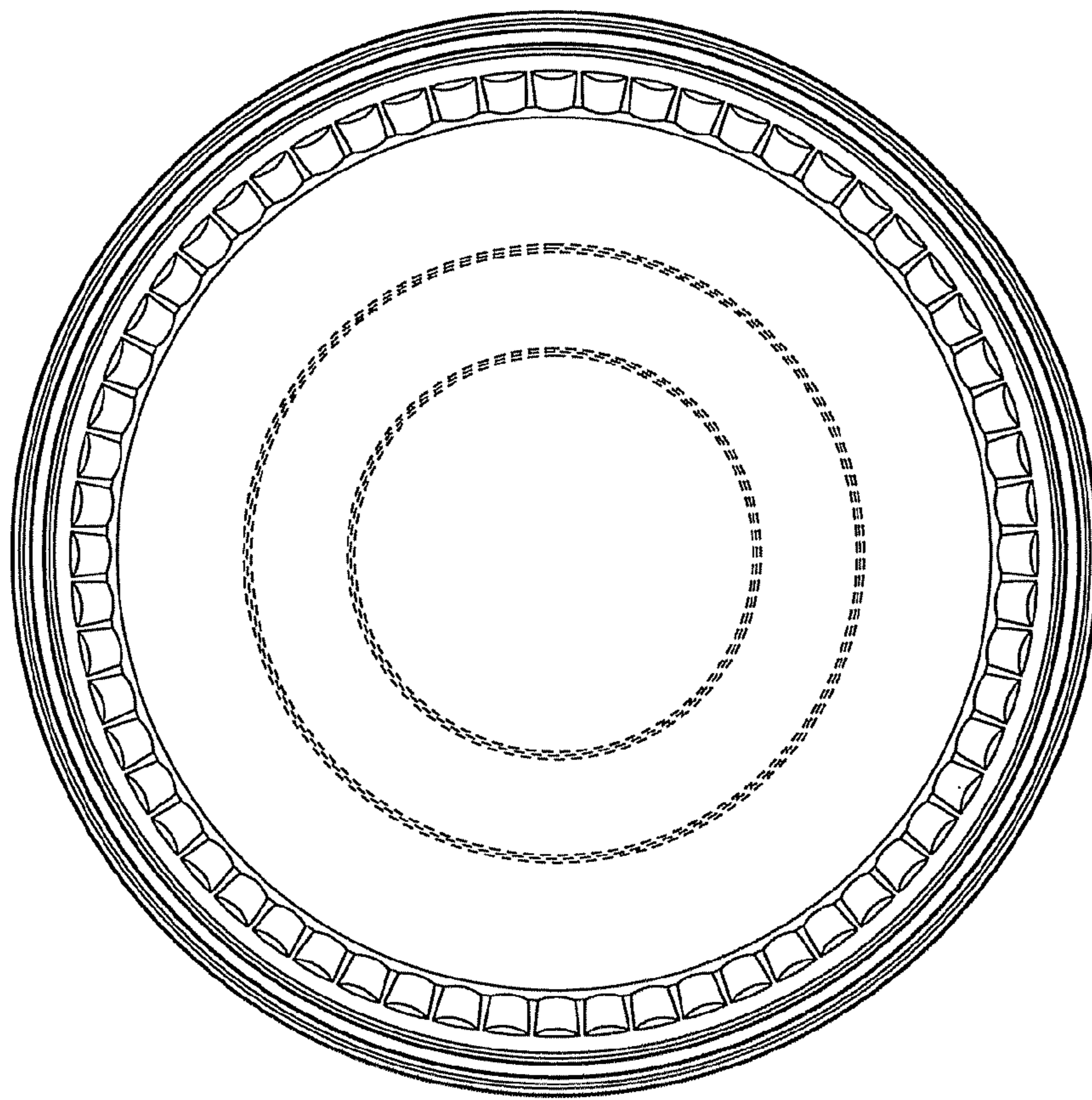


FIG. 4

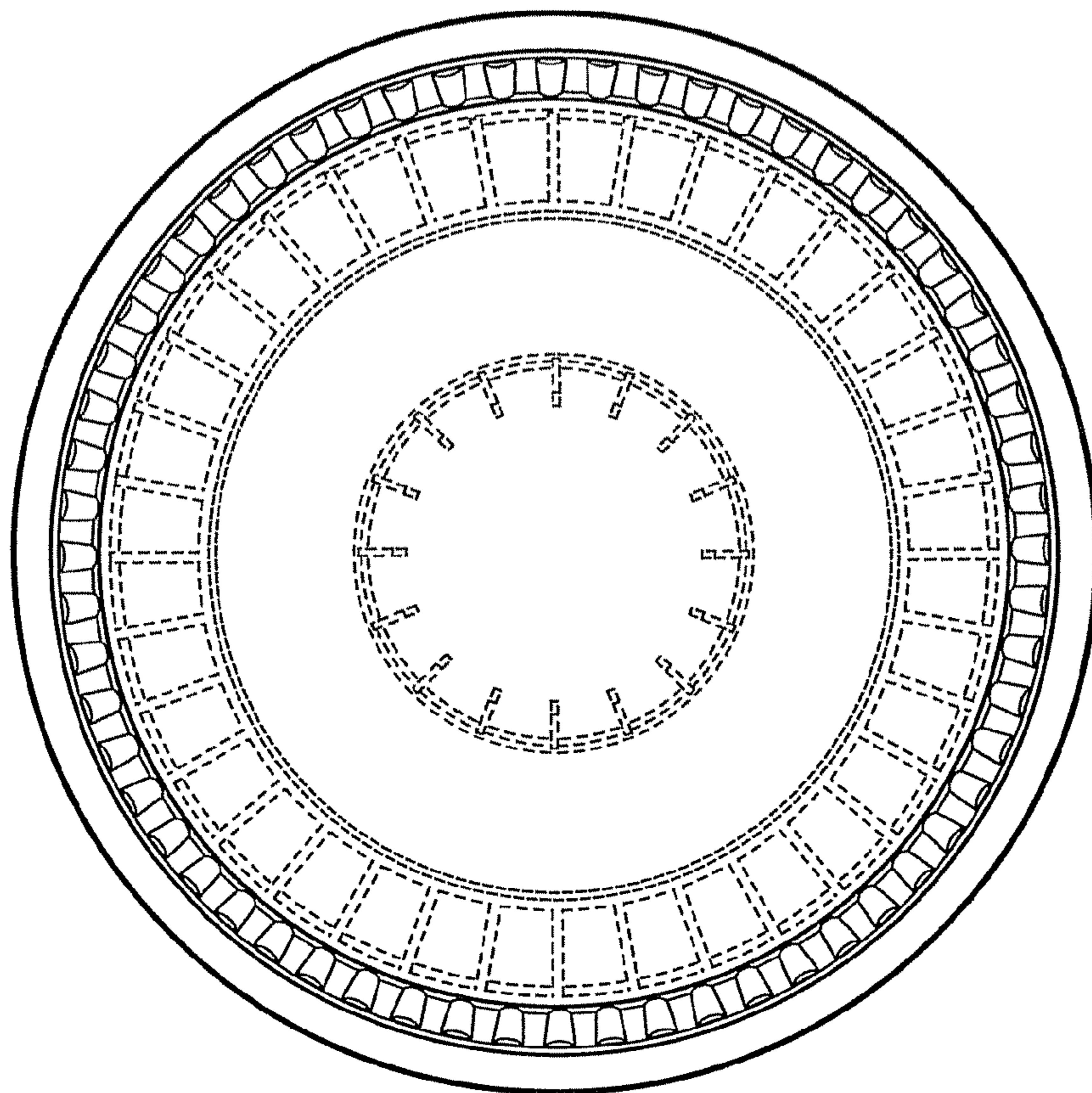


FIG. 3