



US00D641591S

(12) **United States Design Patent**  
**Tsukida**

(10) **Patent No.:** **US D641,591 S**

(45) **Date of Patent:** **\*\* Jul. 19, 2011**

(54) **VACUUM BOTTLE**

(75) Inventor: **Motonori Tsukida**, Osaka (JP)

(73) Assignee: **Zojirushi Corporation** (JP)

(\*\*) Term: **14 Years**

(21) Appl. No.: **29/379,694**

(22) Filed: **Nov. 23, 2010**

(30) **Foreign Application Priority Data**

May 25, 2010 (JP) ..... 2010-012819

(51) **LOC (9) Cl.** ..... **07-01**

(52) **U.S. Cl.** ..... **D7/608**

(58) **Field of Classification Search** ..... D7/603-608,  
D7/509-511; D9/500, 503, 504, 667; 215/12.1,  
215/12.2, 13.1; 220/592.27, 592.2, 592.16,  
220/592.17, 592.23

See application file for complete search history.

(56) **References Cited**

**U.S. PATENT DOCUMENTS**

D54,884 S \* 4/1920 Altenberg ..... D7/608  
D429,118 S \* 8/2000 Hurlbut ..... D7/608  
6,119,888 A \* 9/2000 Goto et al. .... 220/592.27  
D488,961 S \* 4/2004 Moran ..... D7/608  
D533,032 S \* 12/2006 Liu et al. .... D7/608  
D592,909 S \* 5/2009 Alviar et al. .... D7/510  
D607,698 S \* 1/2010 Tsukida ..... D7/608

**FOREIGN PATENT DOCUMENTS**

JP D708969-1 7/1987

**OTHER PUBLICATIONS**

Office action dated Mar. 8, 2011 in corresponding Japanese Application No. 2010-012819 citing a "mug-bottle", published in ZOJIRUSHI CATALOGUE 2007, No. 87, made publicly available on Aug. 24, 2007.

\* cited by examiner

*Primary Examiner* — Terry Wallace

(74) *Attorney, Agent, or Firm* — Saidman DesignLaw Group

(57) **CLAIM**

The ornamental design for a vacuum bottle, as shown and described.

**DESCRIPTION**

FIG. 1 is a top perspective view of a vacuum bottle showing my new design;

FIG. 2 is another top perspective view thereof, shown with the cap removed;

FIG. 3 is a bottom perspective view thereof;

FIG. 4 is a front view thereof, with the rear view being a mirror image thereof;

FIG. 5 is a top view thereof;

FIG. 6 is a bottom view thereof;

FIG. 7 is a left side view thereof;

FIG. 8 is a right side view thereof;

FIG. 9 is a top perspective view of a second embodiment thereof;

FIG. 10 is another top perspective view thereof, shown with the cap removed;

FIG. 11 is a bottom perspective view thereof;

FIG. 12 is a front view thereof, with the rear view being a mirror image thereof;

FIG. 13 is a top view thereof;

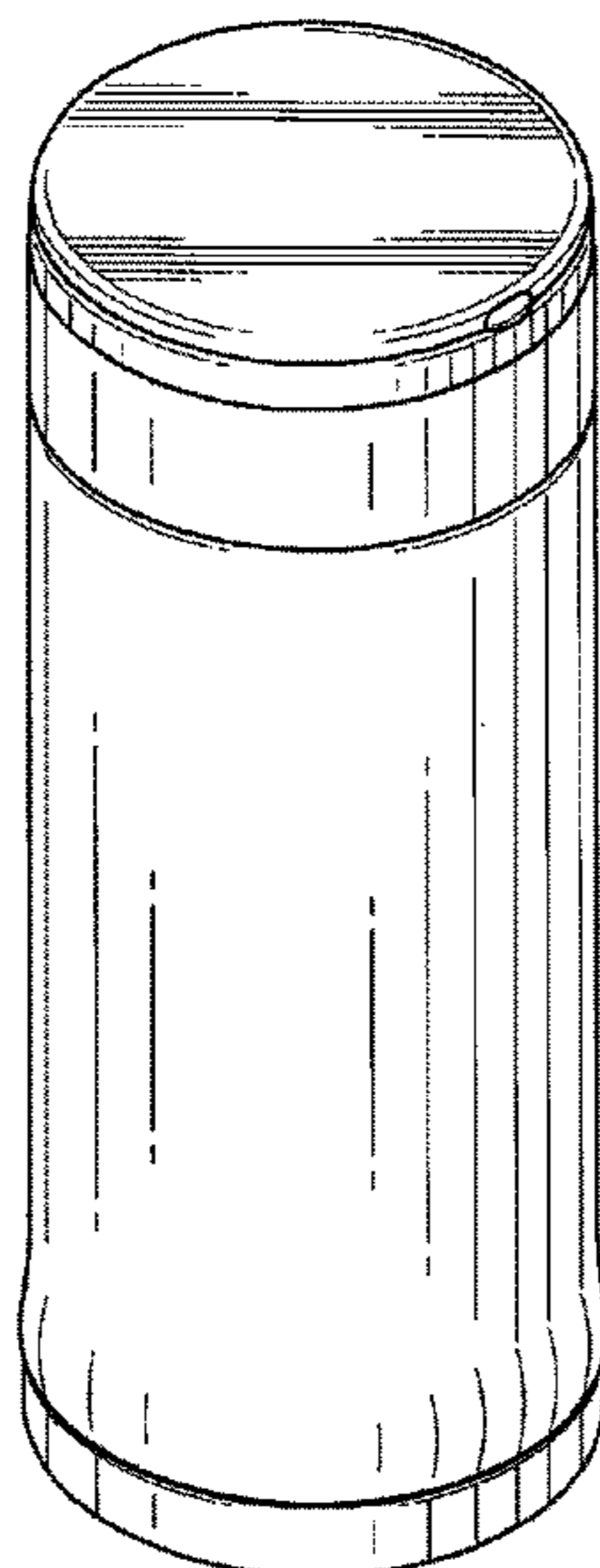
FIG. 14 is a bottom view thereof;

FIG. 15 is a left side view thereof; and,

FIG. 16 is a right side view thereof.

The upper ring shown in gray indicates a metallic surface which extends about the entire periphery of the ring.

**1 Claim, 14 Drawing Sheets**



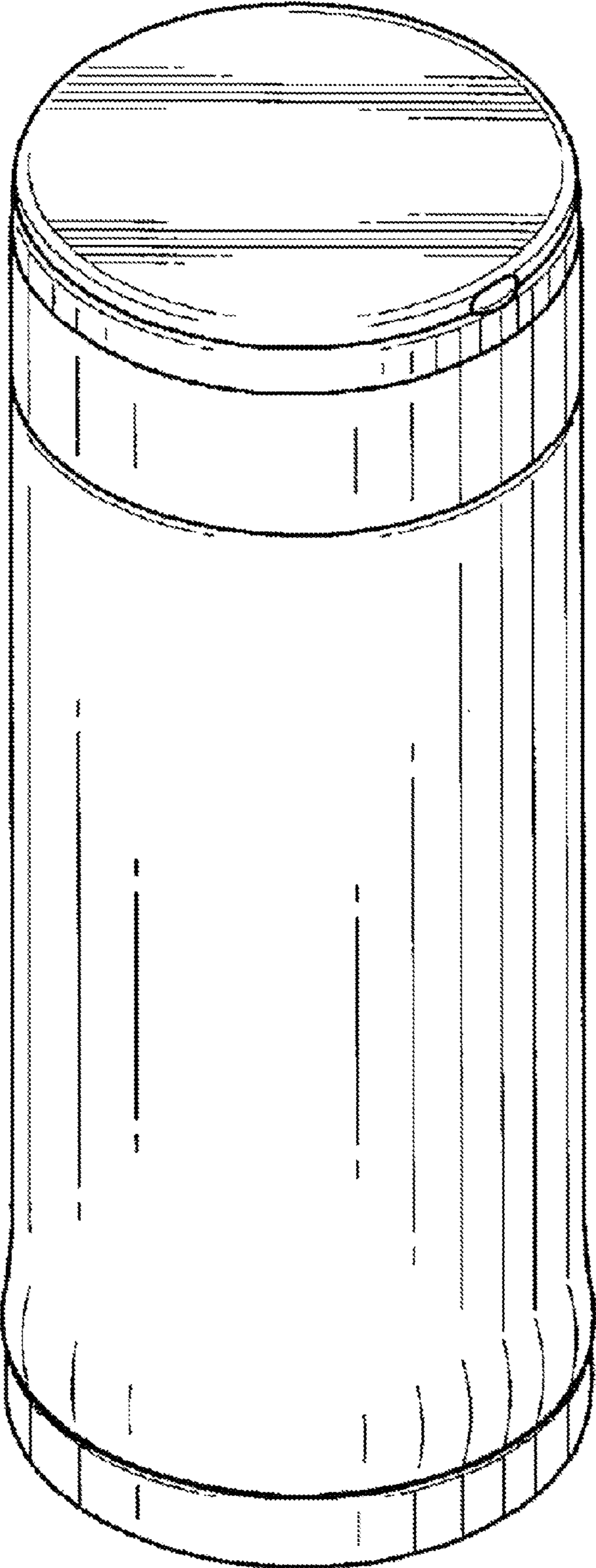


FIG. 1

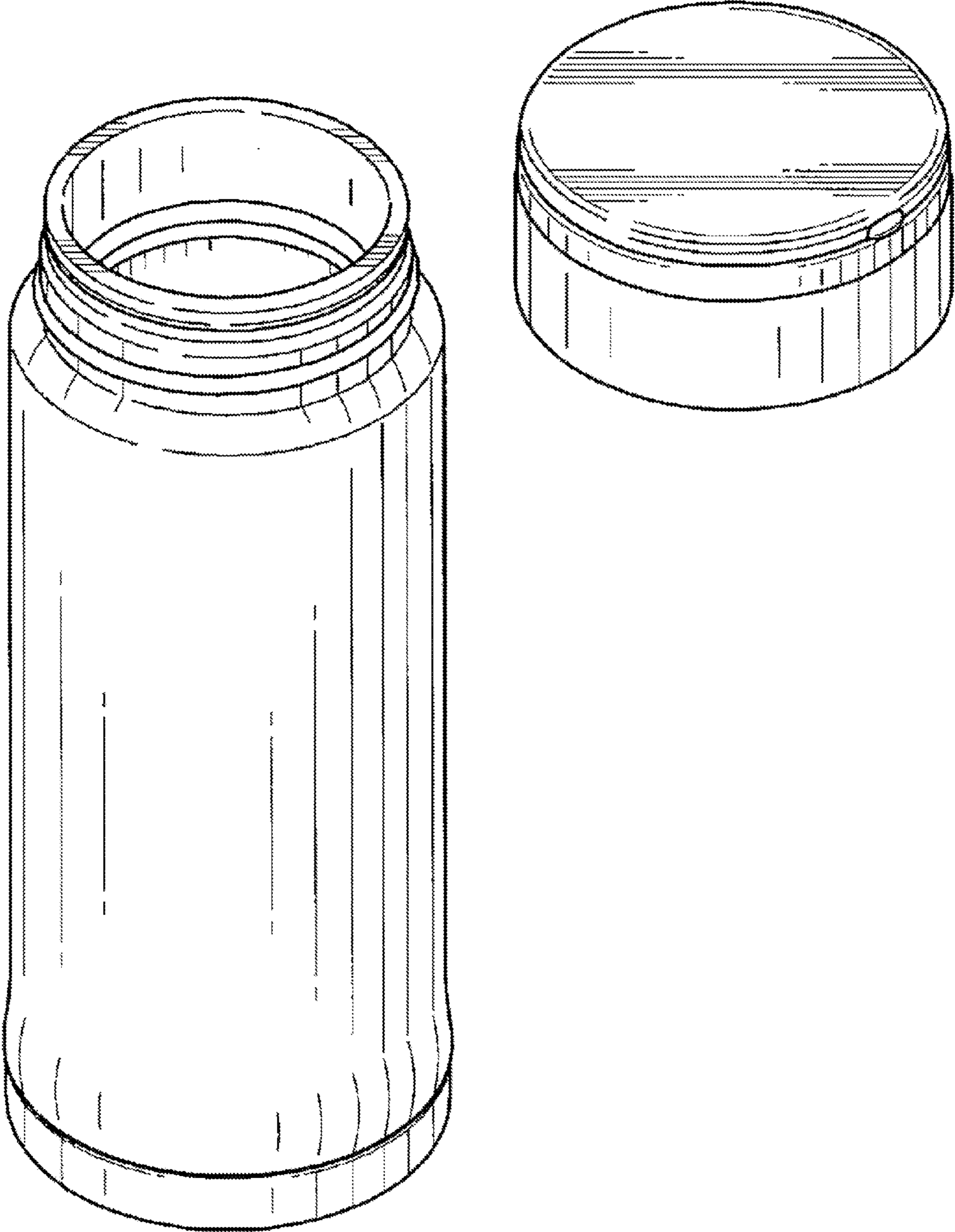


FIG. 2

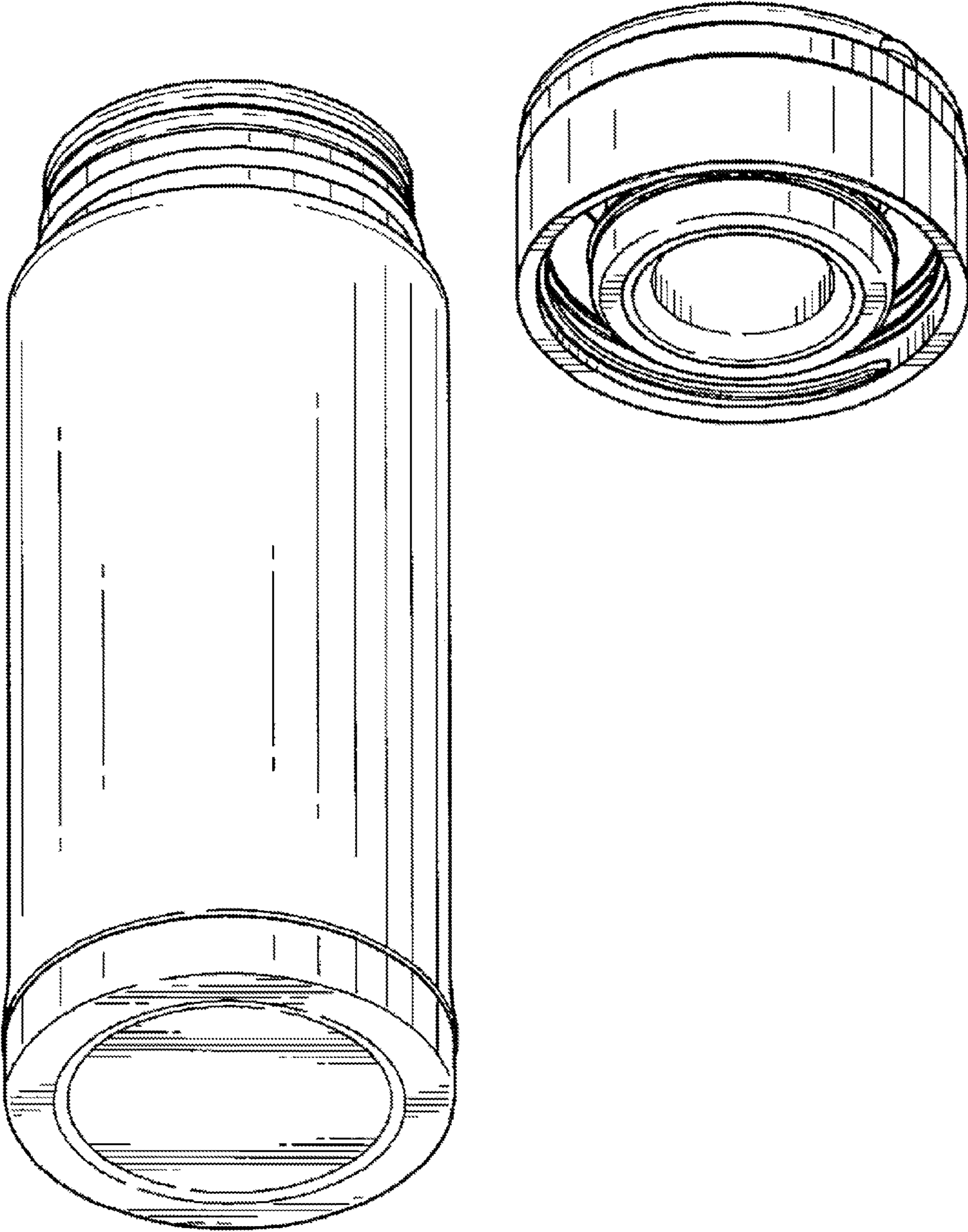


FIG. 3

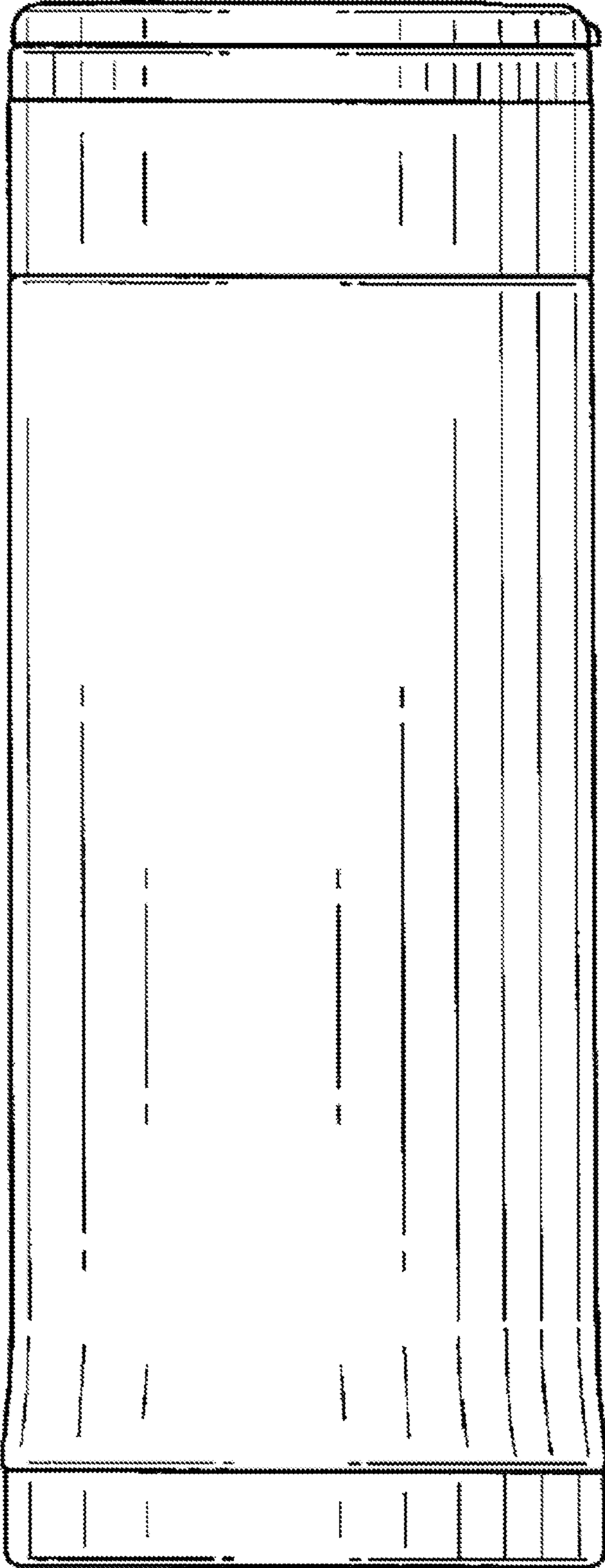
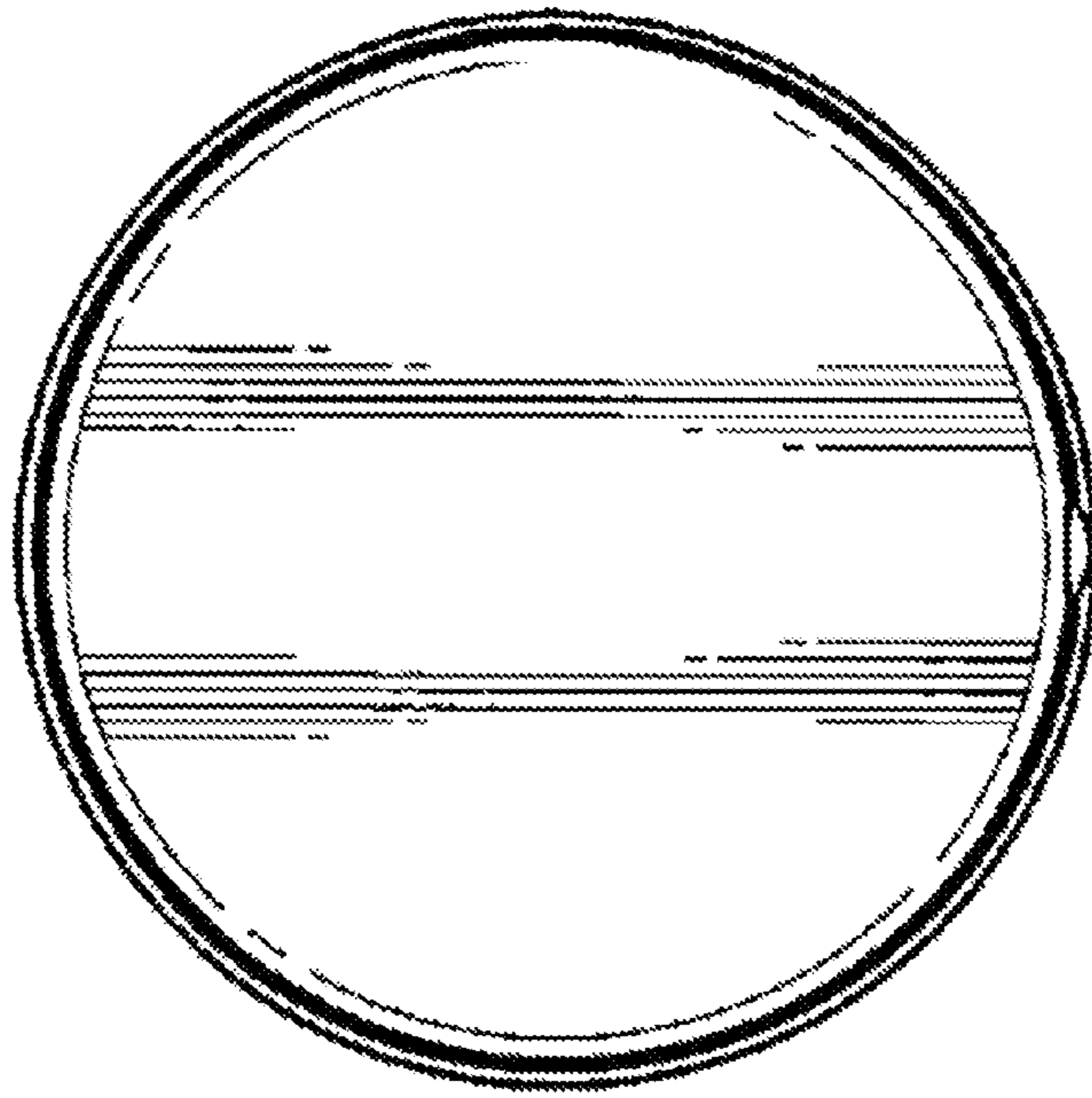
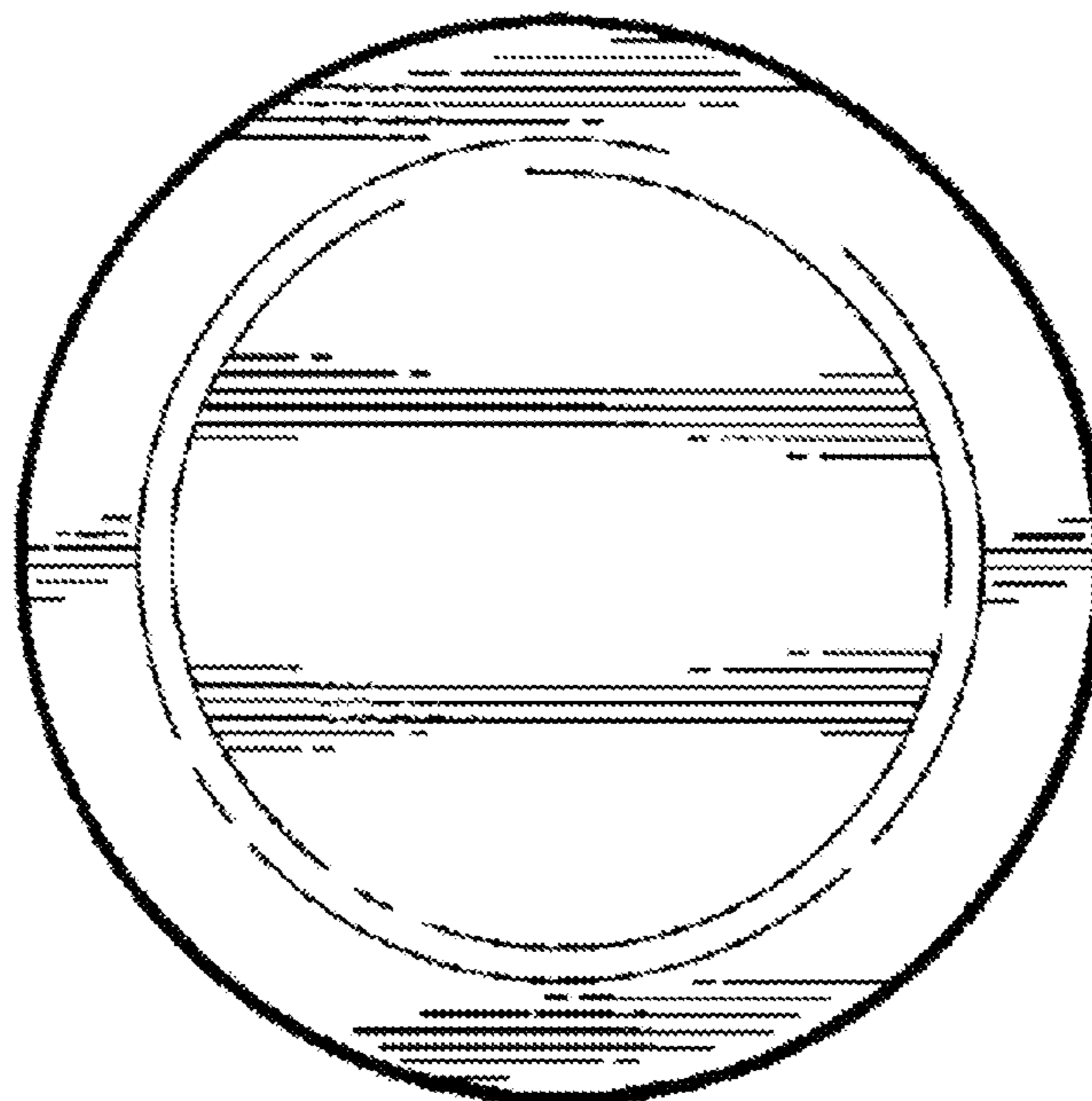


FIG. 4



**FIG. 5**



**FIG. 6**

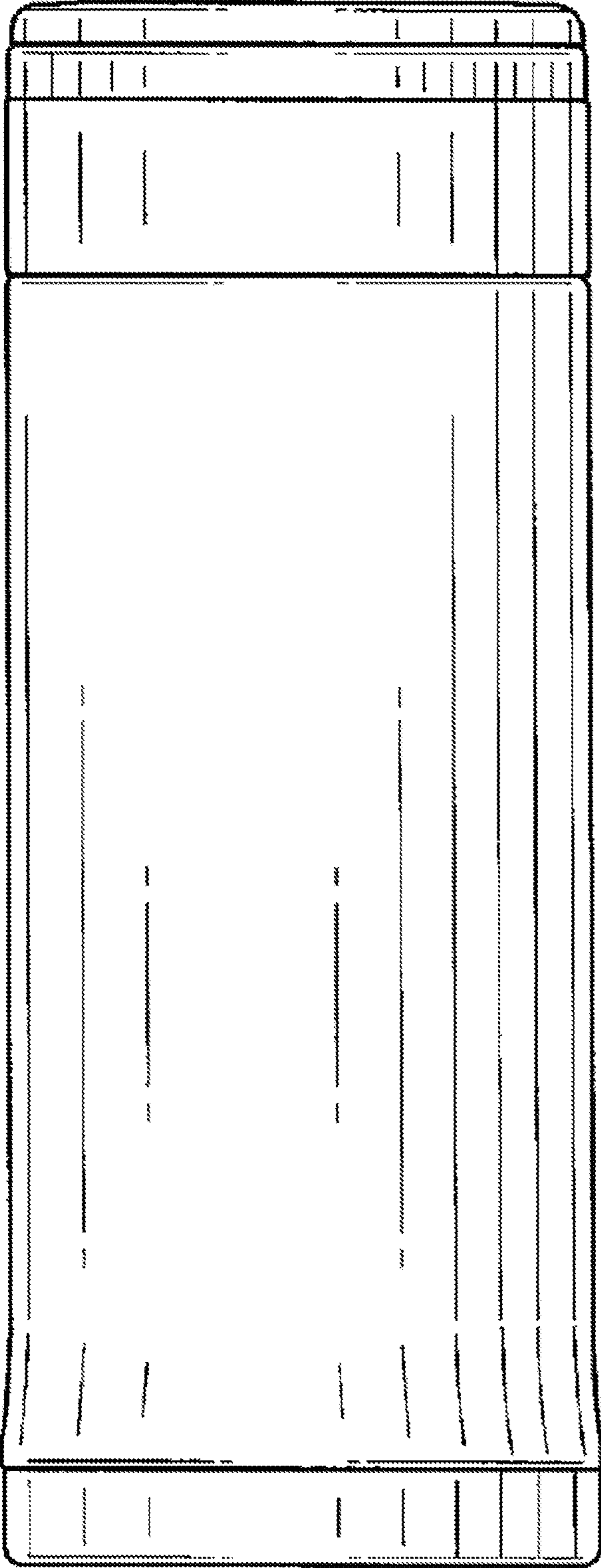


FIG. 7

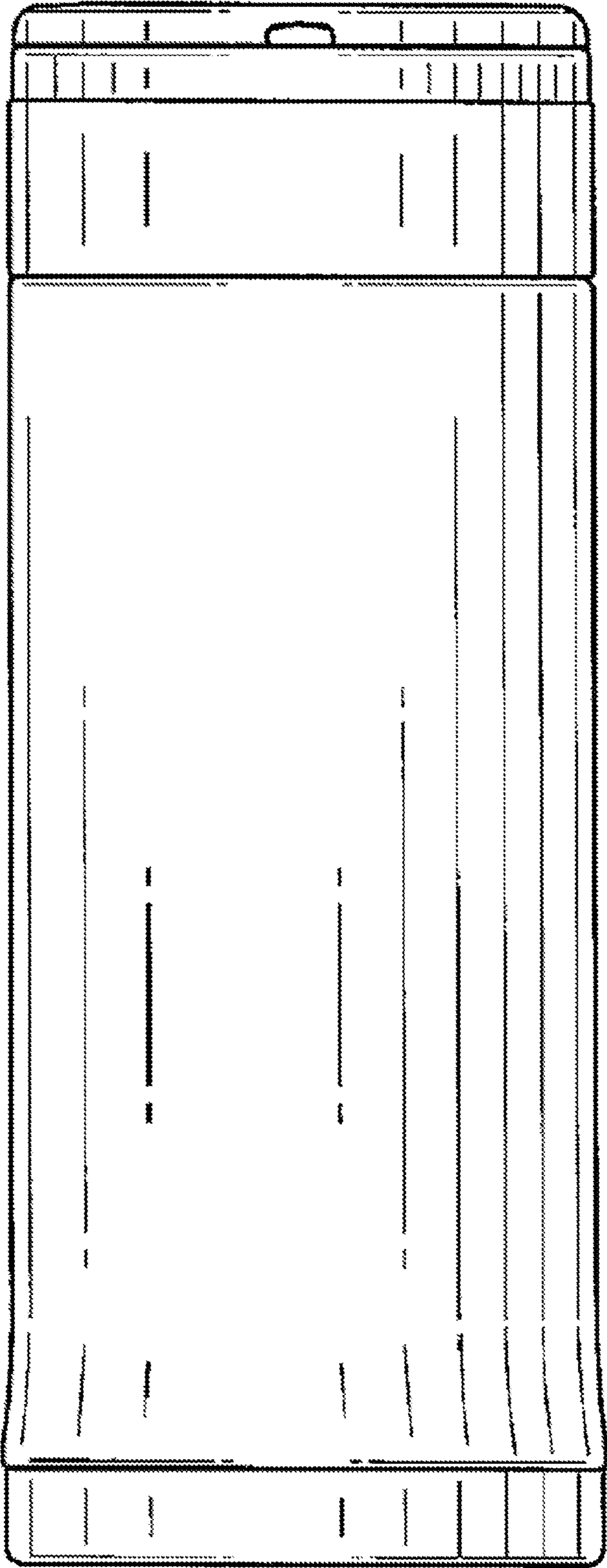


FIG. 8



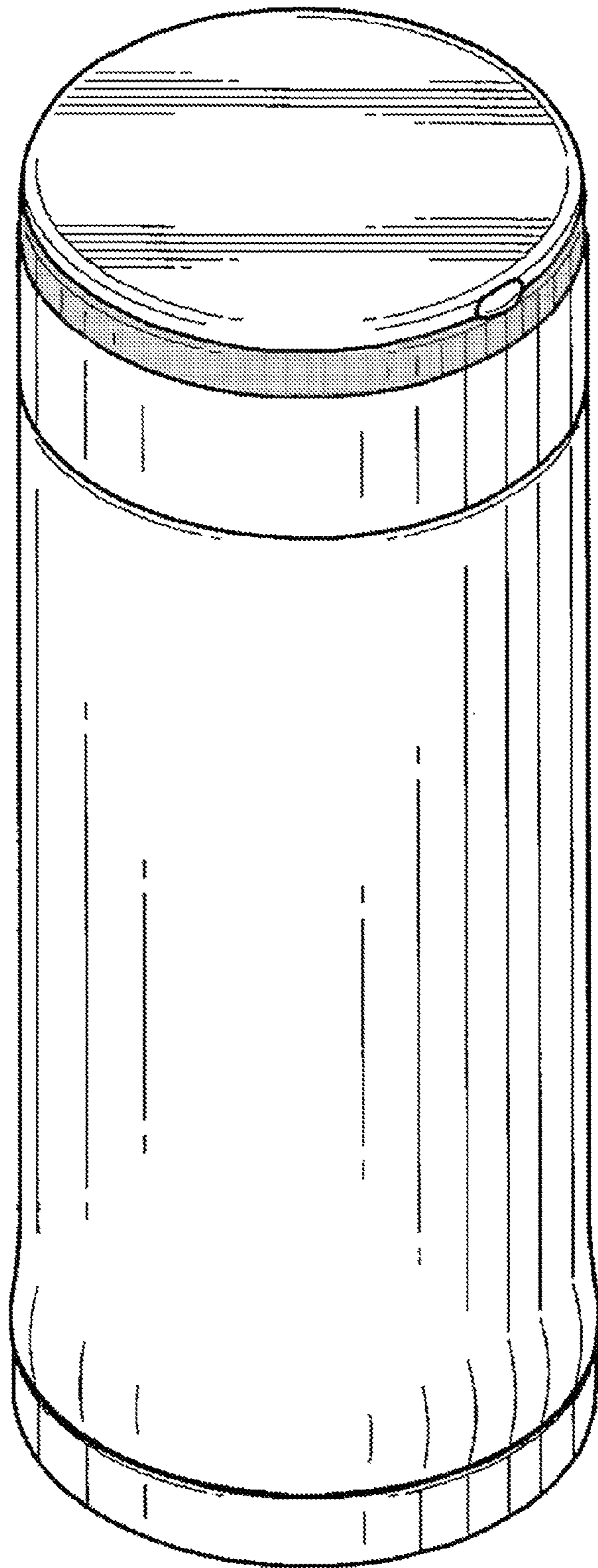


FIG. 9

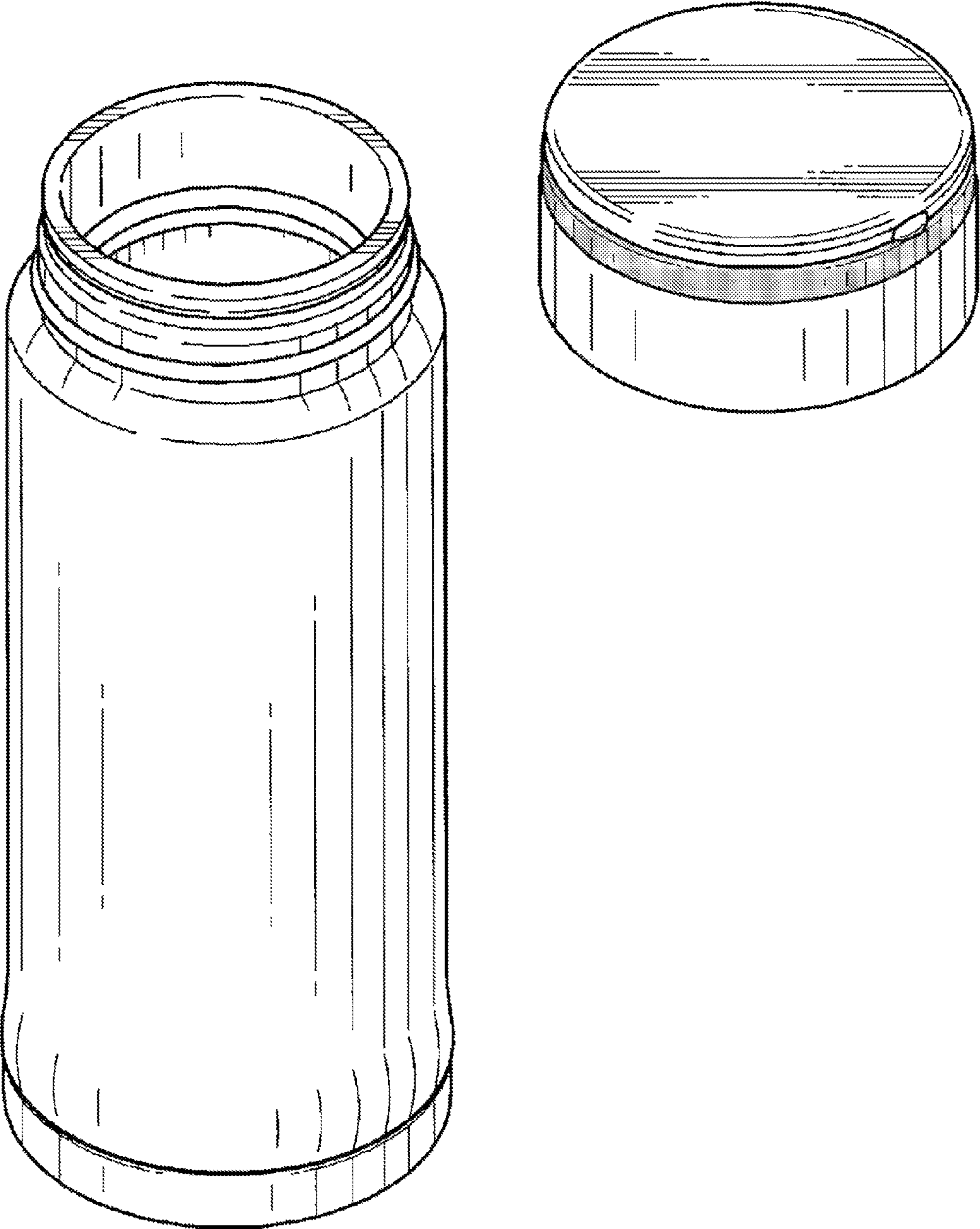


FIG. 10

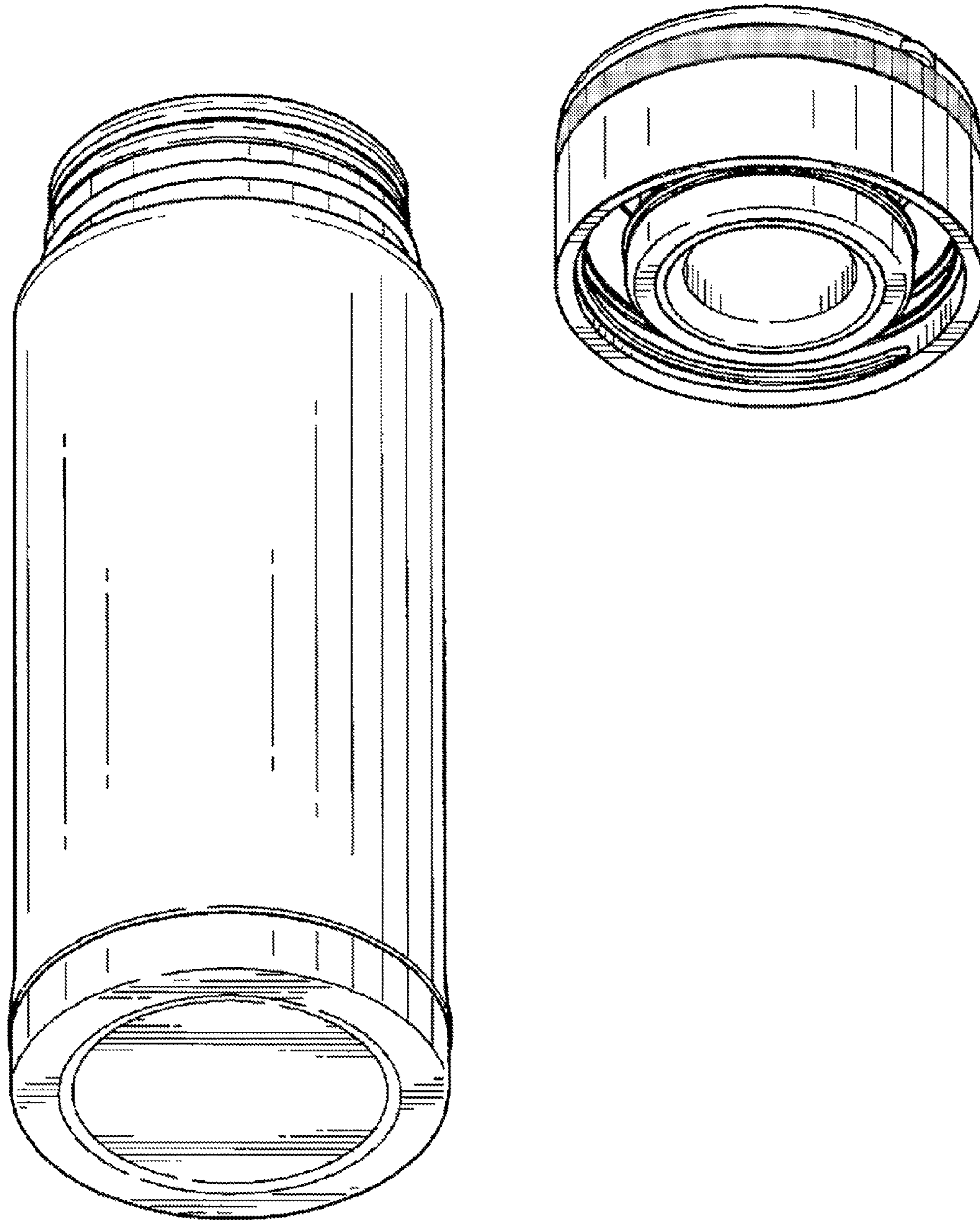


FIG. 11

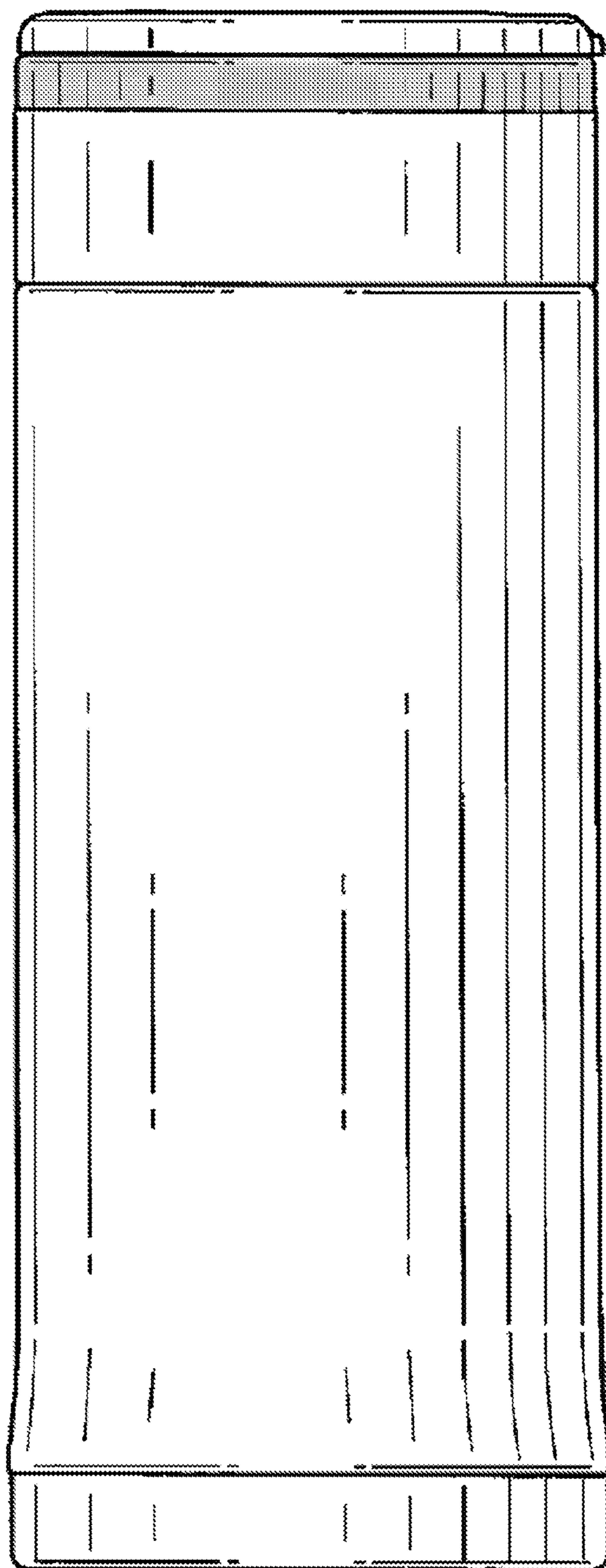
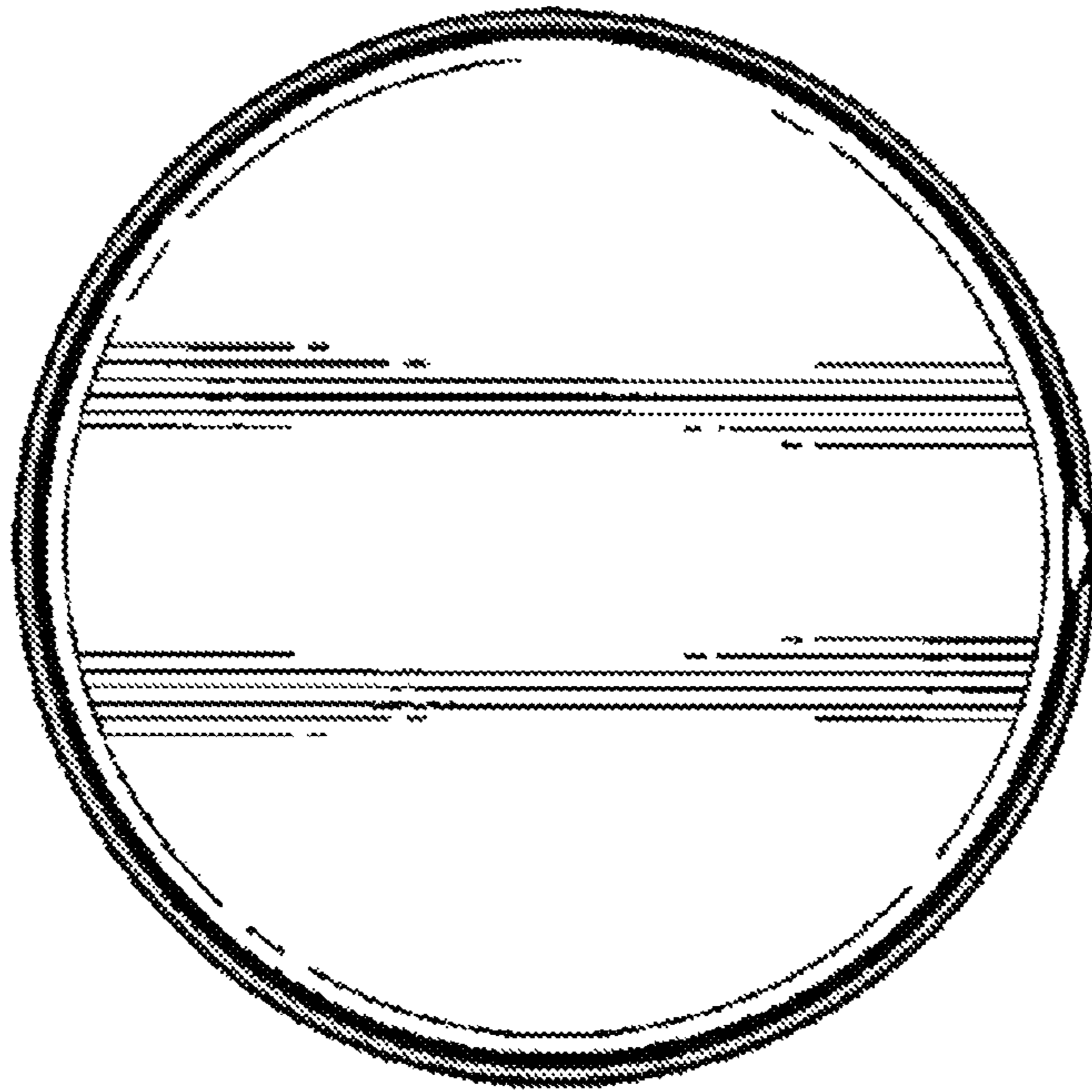
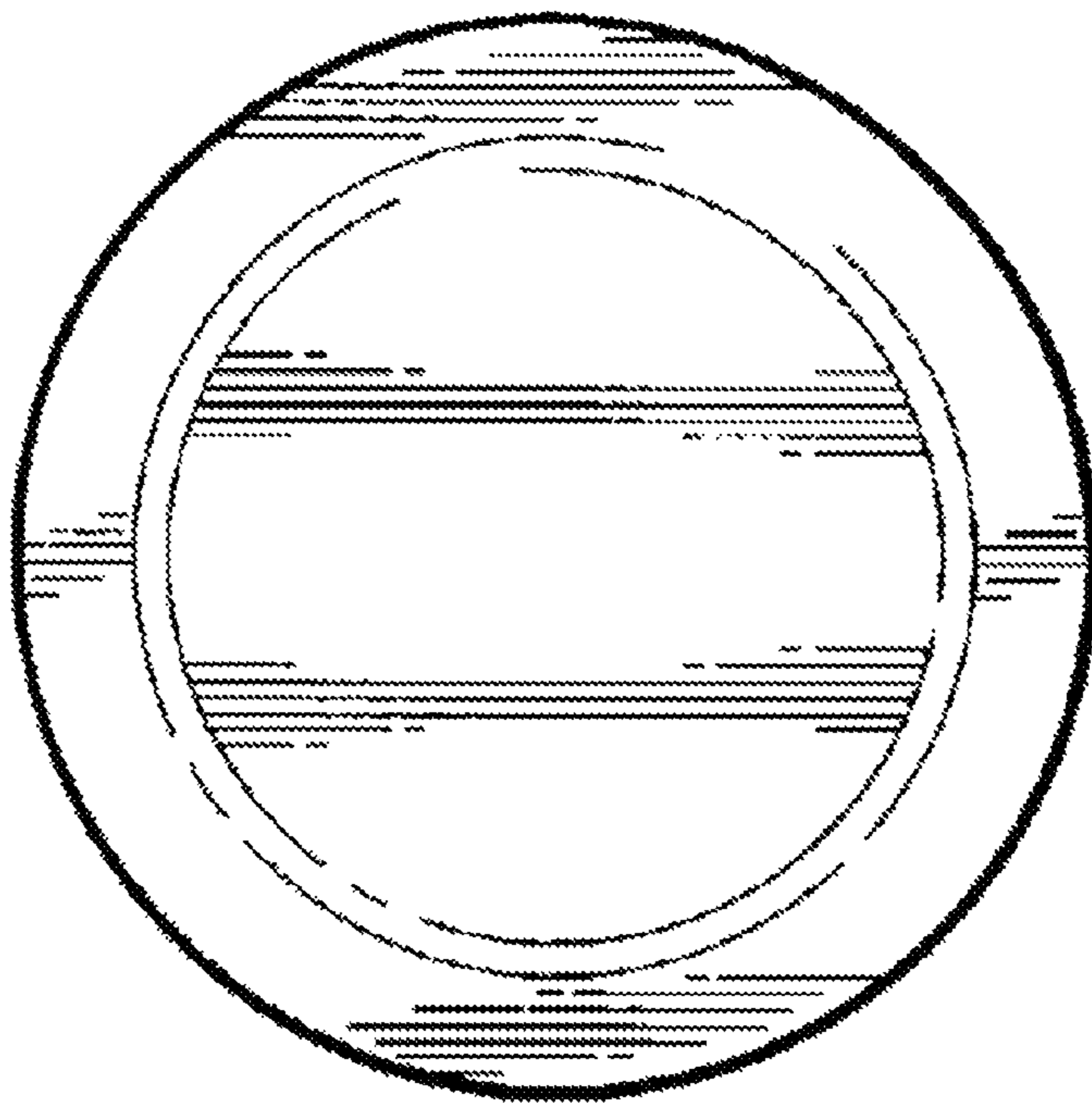


FIG. 12



**FIG. 13**



**FIG. 14**

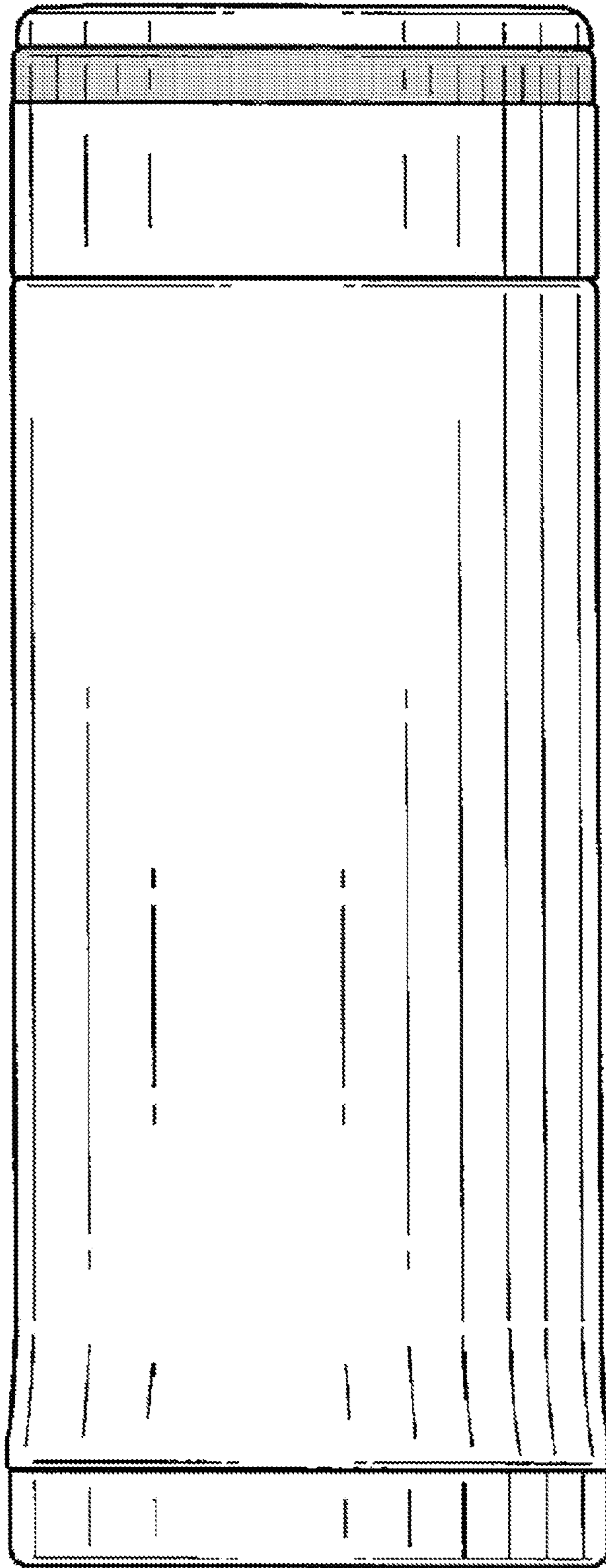


FIG. 15

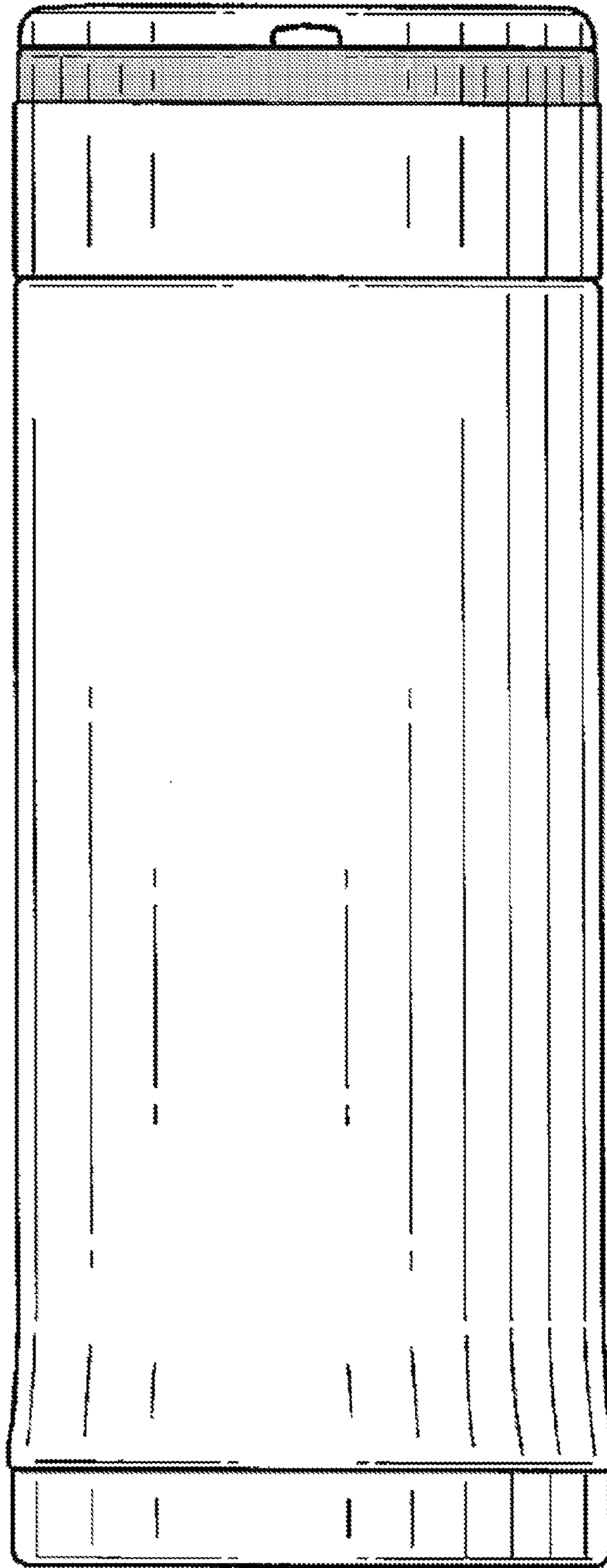


FIG. 16