



US00D641589S

(12) **United States Design Patent**  
**Jones**

(10) **Patent No.:** **US D641,589 S**

(45) **Date of Patent:** **\*\* Jul. 19, 2011**

(54) **INFRARED BURNER**

(75) Inventor: **Douglas S. Jones**, New Port Richey, FL  
(US)

(73) Assignee: **Lincoln Foodservice Products LLC**,  
Fort Wayne, IN (US)

(\*\*) Term: **14 Years**

(21) Appl. No.: **29/379,156**

(22) Filed: **Nov. 15, 2010**

(51) **LOC (9) Cl.** ..... **07-02**

(52) **U.S. Cl.** ..... **D7/407**

(58) **Field of Classification Search** ..... D7/332,  
D7/334-337, 402-405, 407, 392.1; 126/25 R,  
126/39 C, 41 R, 25 A, 29-30, 25 AA, 9 R,  
126/37-38, 40, 39 E, 39 H; 99/481-482;  
D26/118; D23/335, 386, 342; 392/357

See application file for complete search history.

(56) **References Cited**

U.S. PATENT DOCUMENTS

3,443,062	A	*	5/1969	Welch, Sr.	.....	392/357
D287,535	S	*	12/1986	Allback	.....	D23/335
D357,090	S	*	4/1995	Hamrin	.....	D26/118
D371,429	S	*	7/1996	Ternlind	.....	D23/386
D470,721	S	*	2/2003	Home	.....	D7/407
D479,590	S	*	9/2003	Ko	.....	D23/342

D535,731	S	*	1/2007	Folkers	.....	D7/407
D610,870	S	*	3/2010	Westers	.....	D7/407
D618,506	S	*	6/2010	Offredi	.....	D7/407

\* cited by examiner

*Primary Examiner* — T. Chase Nelson

*Assistant Examiner* — Mark Cavanna

(74) *Attorney, Agent, or Firm* — Ohlandt, Greeley, Ruggiero  
& Perle, L.L.P.

(57) **CLAIM**

The ornamental design for infrared burner, as shown and described.

**DESCRIPTION**

FIG. 1 is a first top perspective view of the infrared burner of the present disclosure;

FIG. 2 is a second top perspective view of the infrared burner of FIG. 1;

FIG. 3 is a bottom perspective view of the infrared burner of FIG. 1;

FIG. 4 is a top view of the infrared burner of FIG. 1;

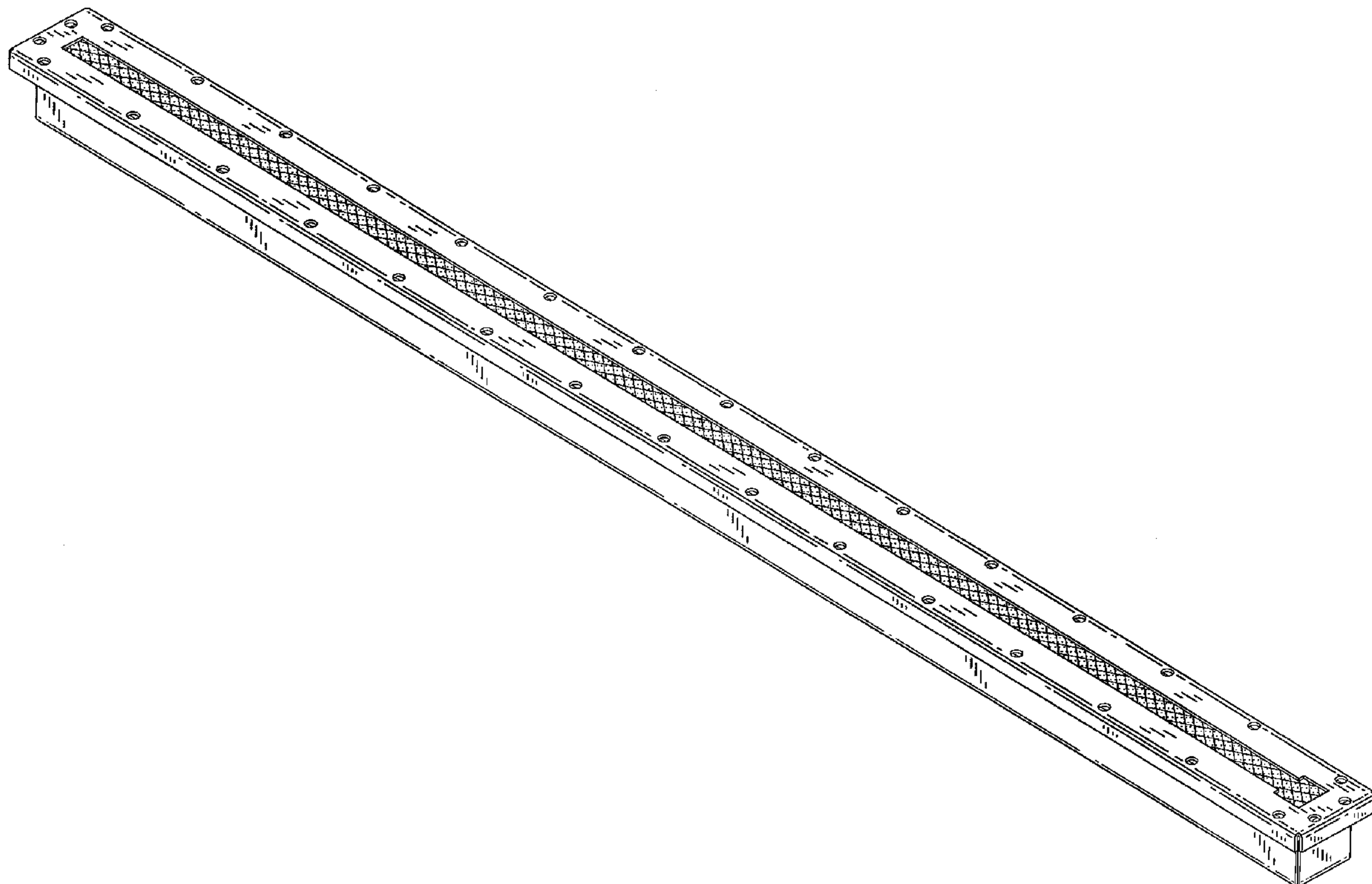
FIG. 5 is a bottom view of the infrared burner of FIG. 1;

FIG. 6 is a first side elevation view of the infrared burner of FIG. 1; and,

FIG. 7 is a second side elevation view of the infrared burner of FIG. 1.

The broken lines in the drawings illustrate environmental structure or boundaries that form no part of the claimed design.

**1 Claim, 5 Drawing Sheets**



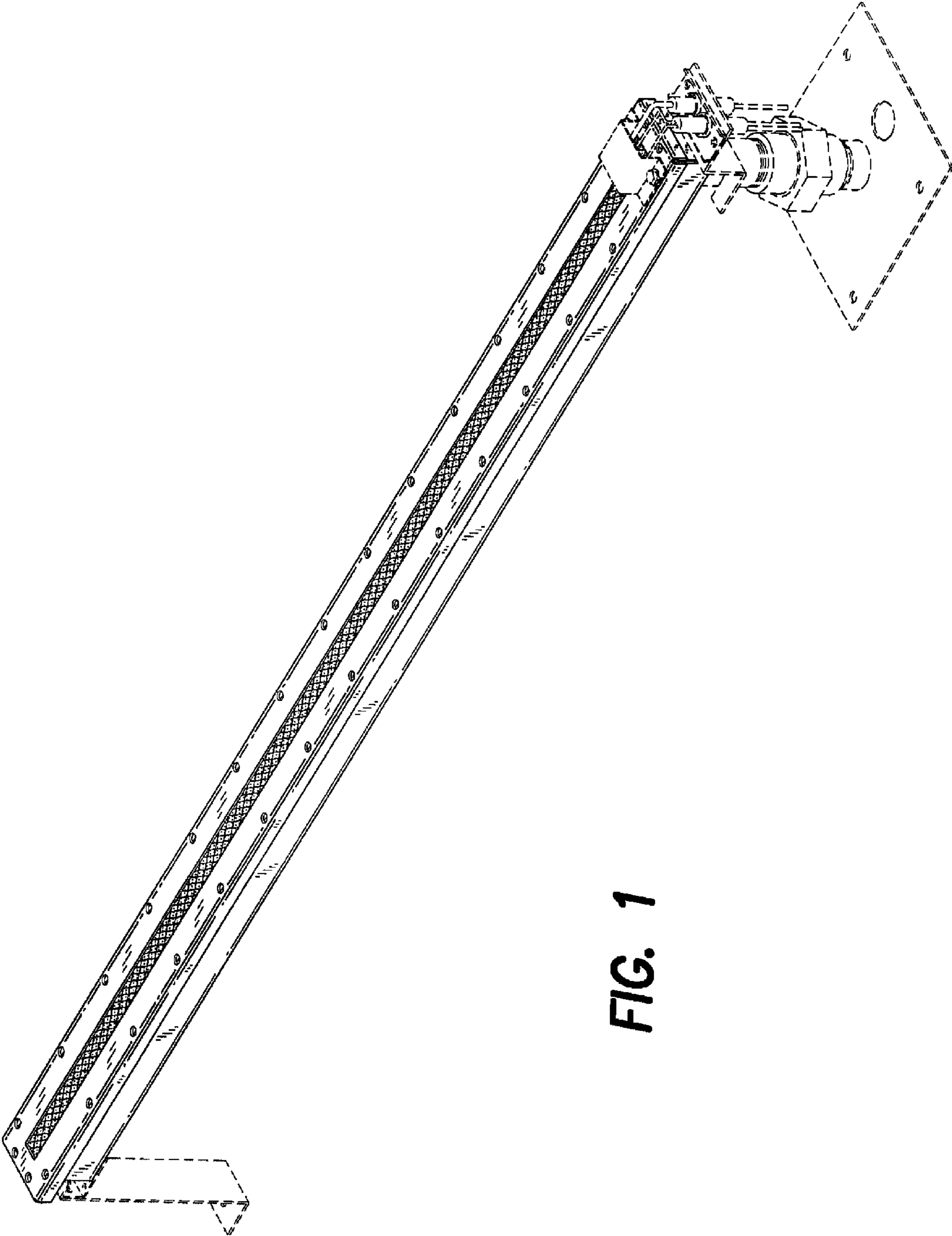


FIG. 1

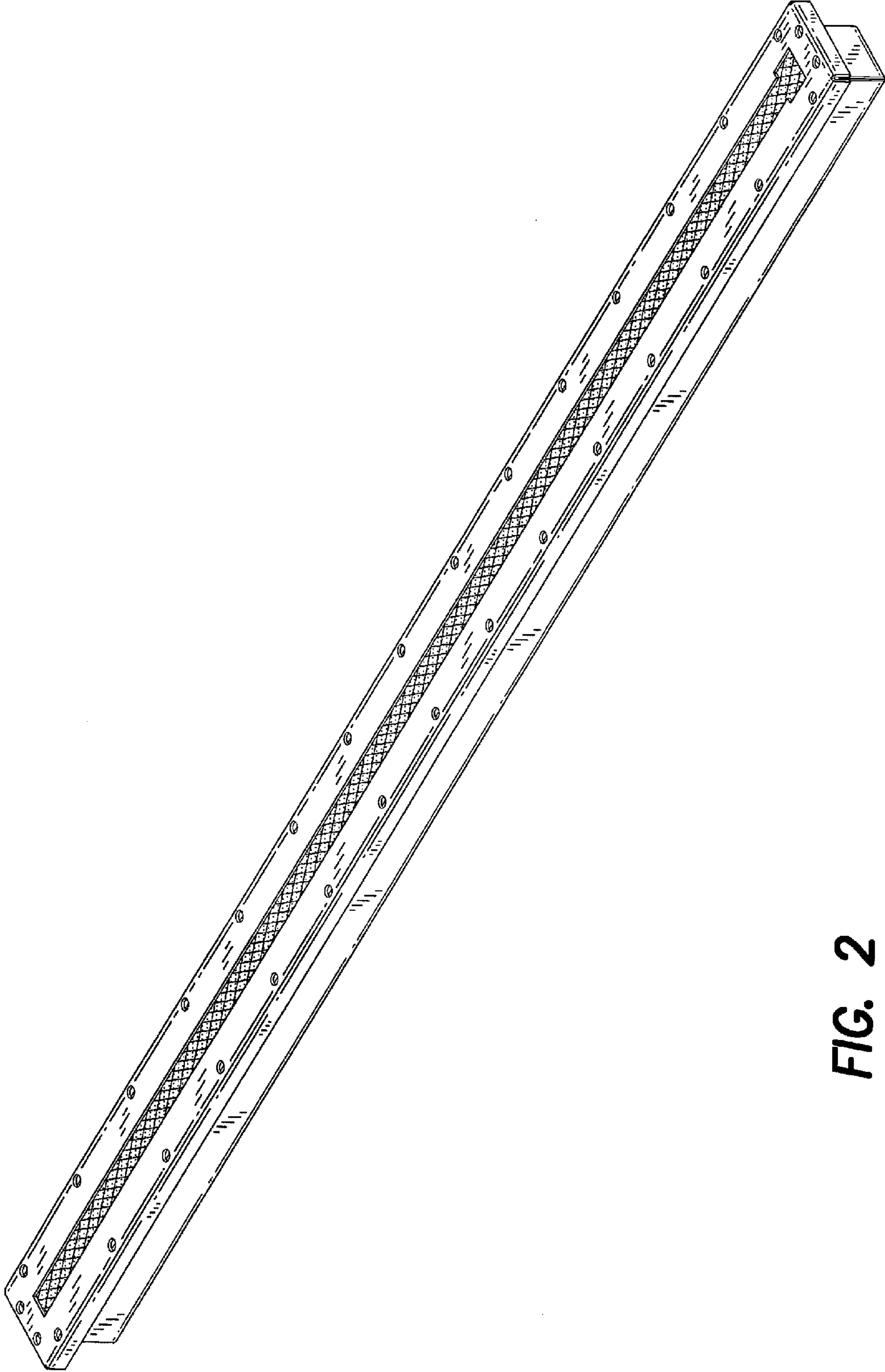


FIG. 2

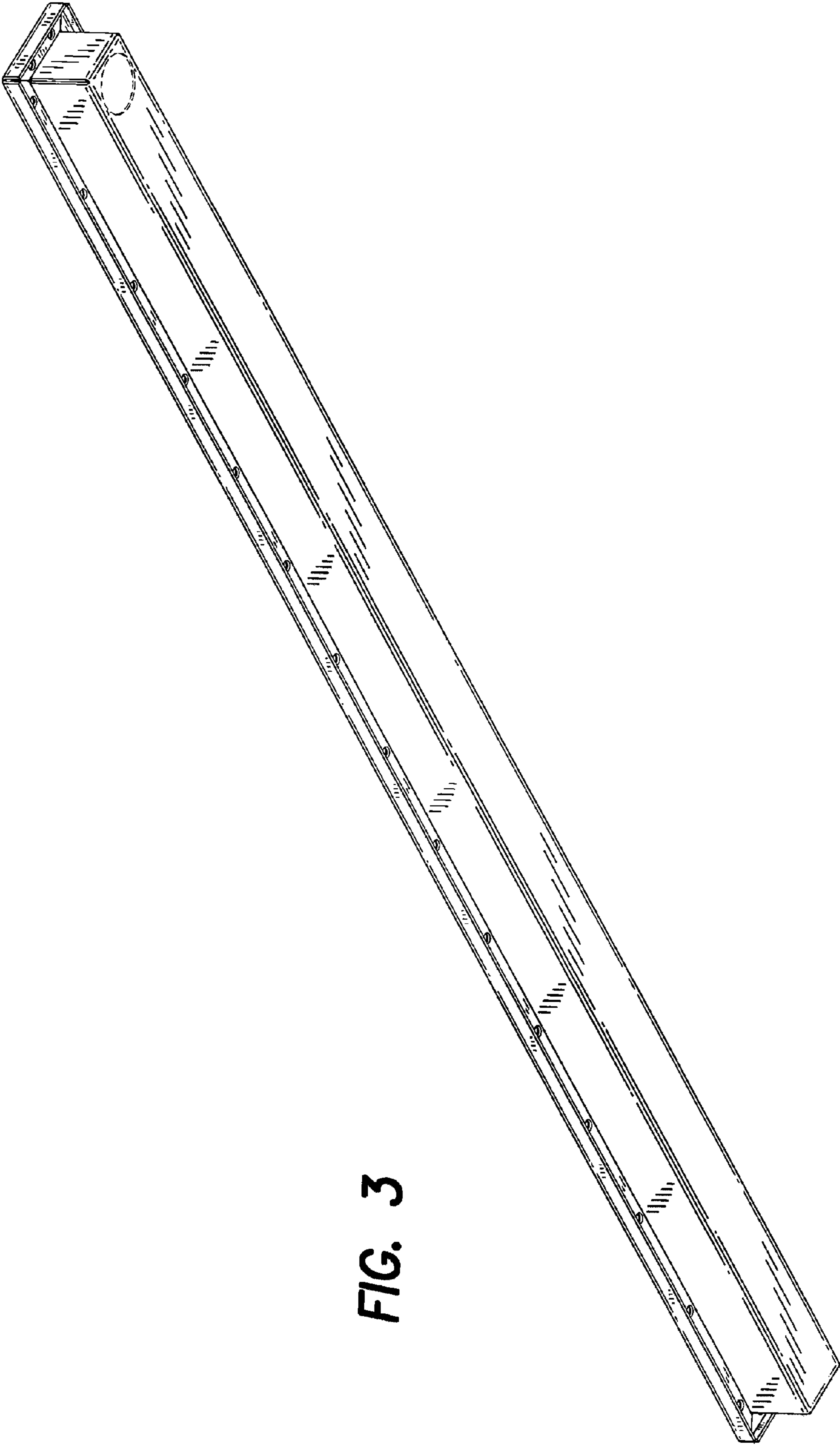


FIG. 3

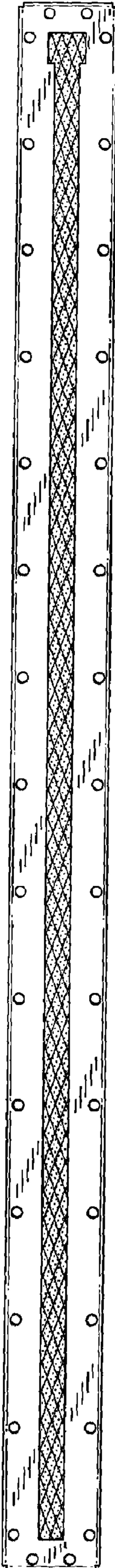


FIG. 4

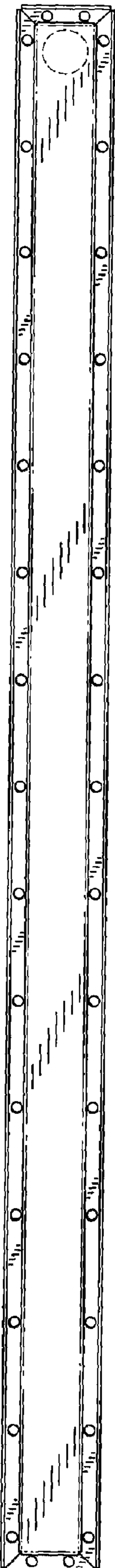
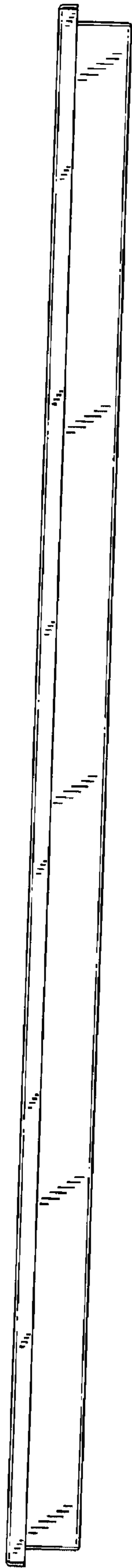
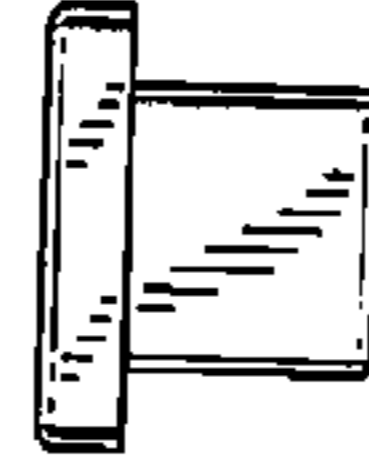


FIG. 5



**FIG. 6**



**FIG. 7**