



US00D641585S

(12) **United States Design Patent**
Cheng

(10) **Patent No.:** **US D641,585 S**

(45) **Date of Patent:** **** Jul. 19, 2011**

(54) **COOKWARE VESSEL**

(75) **Inventor:** **Stanley Kin Sui Cheng**, Vallejo, CA
(US)

(73) **Assignee:** **Meyer Intellectual Properties Limited**
(VG)

(**) **Term:** **14 Years**

(21) **Appl. No.:** **29/279,606**

(22) **Filed:** **May 3, 2007**

(51) **LOC (9) Cl.** **07-02**

(52) **U.S. Cl.** **D7/354**

(58) **Field of Classification Search** D7/323,
D7/354-361, 365, 378-379, 383-384, 391-396.1,
D7/402, 542-543, 545, 560, 584-588, 667;
99/337, 422, 425, 445; 219/620-621, 725-730;
220/377, 573.1-574, 743, 769, 912; 222/545,
222/572

See application file for complete search history.

(56) **References Cited**

U.S. PATENT DOCUMENTS

D328,996 S *	9/1992	Gerlach	D7/361
D377,438 S *	1/1997	Brunianyn	D7/361
D377,883 S *	2/1997	Candianides	D7/361
D426,107 S *	6/2000	Cheng	D7/393
D445,642 S *	7/2001	Rae	D7/393

D450,217 S *	11/2001	Rae	D7/393
D497,513 S *	10/2004	Rae	D7/394
6,848,592 B2 *	2/2005	Logiudice	220/377
D505,046 S *	5/2005	Rae	D7/395

* cited by examiner

Primary Examiner — Ricky Pham

(74) *Attorney, Agent, or Firm* — Edward S. Sherman

(57) **CLAIM**

The ornamental design for a cookware vessel, as shown and described.

DESCRIPTION

FIG. 1 is a perspective view from above the “cookware vessel”, showing my new design;

FIG. 2 is a top plan view thereof;

FIG. 3 is a bottom plan view;

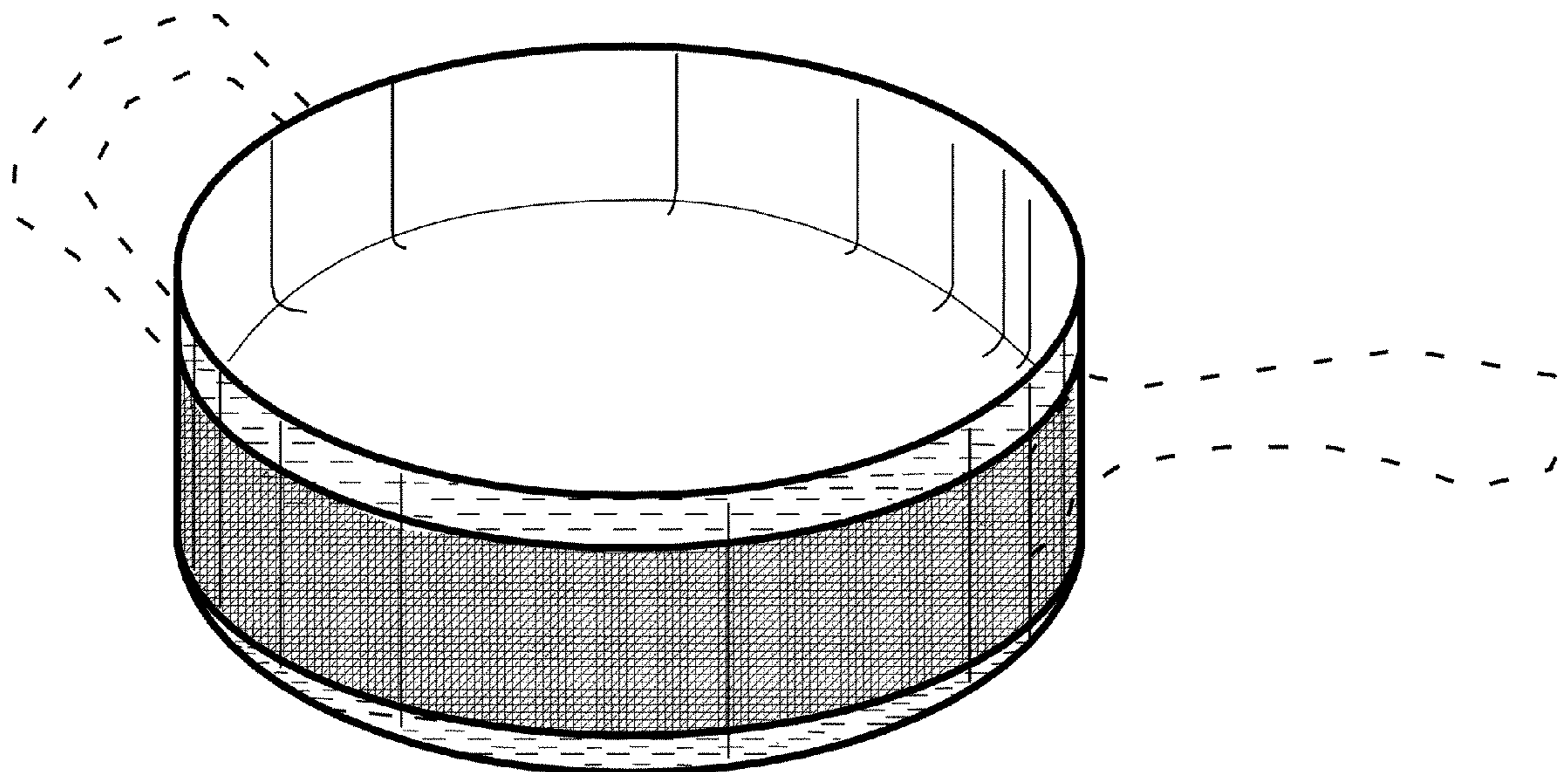
FIG. 4 is an elevation view thereof; and,

FIG. 5 is a perspective view thereof from the bottom.

The characteristic feature in the design resides in providing a contrasting band of color to the middle external sidewall portion of the cookware vessel, whereas the surrounding upper portion, from the rim downward, and lower portion, from the bottom upward, of the same cookware vessel have a bright metallic finish.

Broken lines are intended to show associated environmental matter for illustrative purposes only, not being part of the claimed design.

1 Claim, 5 Drawing Sheets



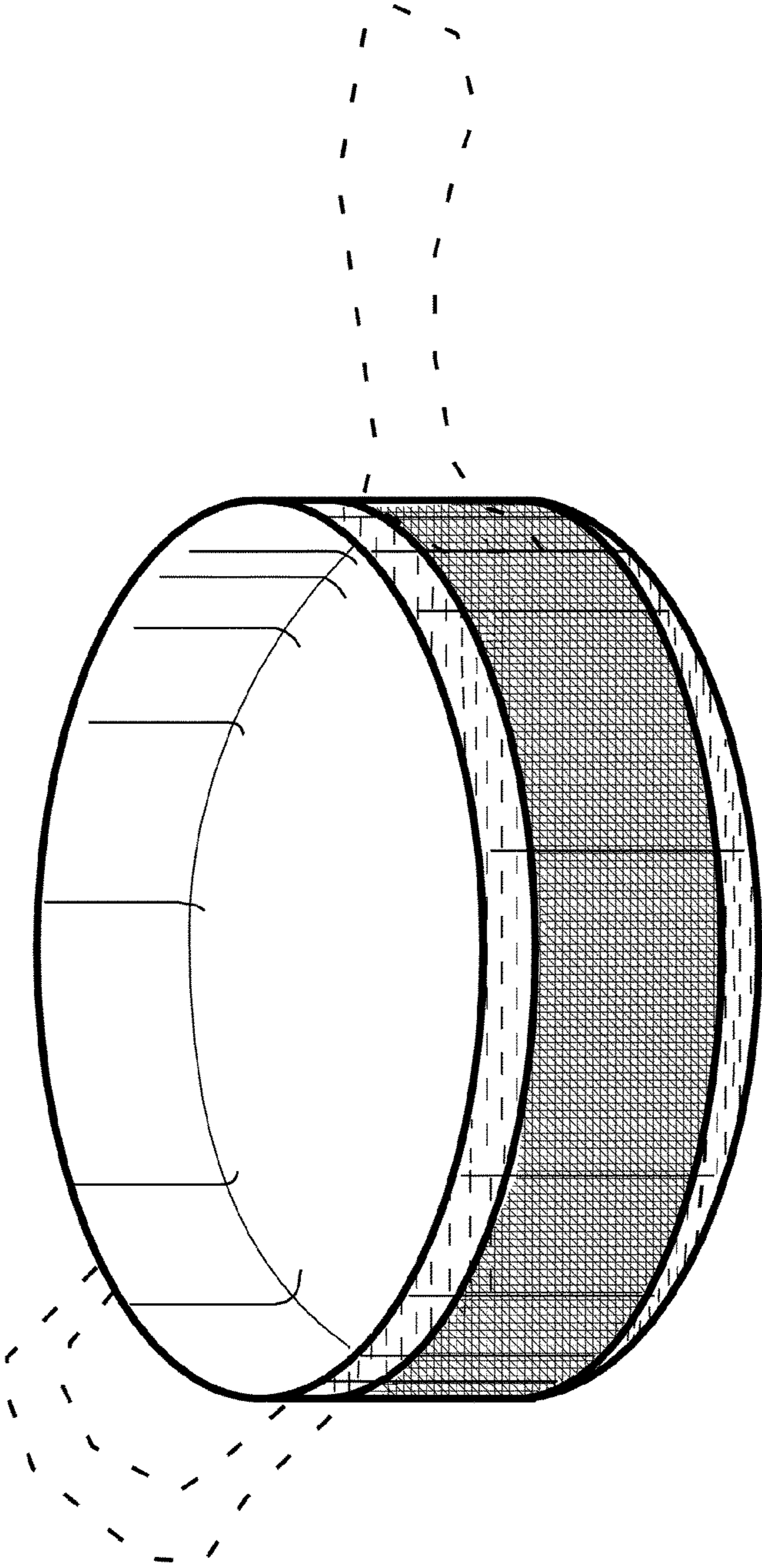


FIG. 1

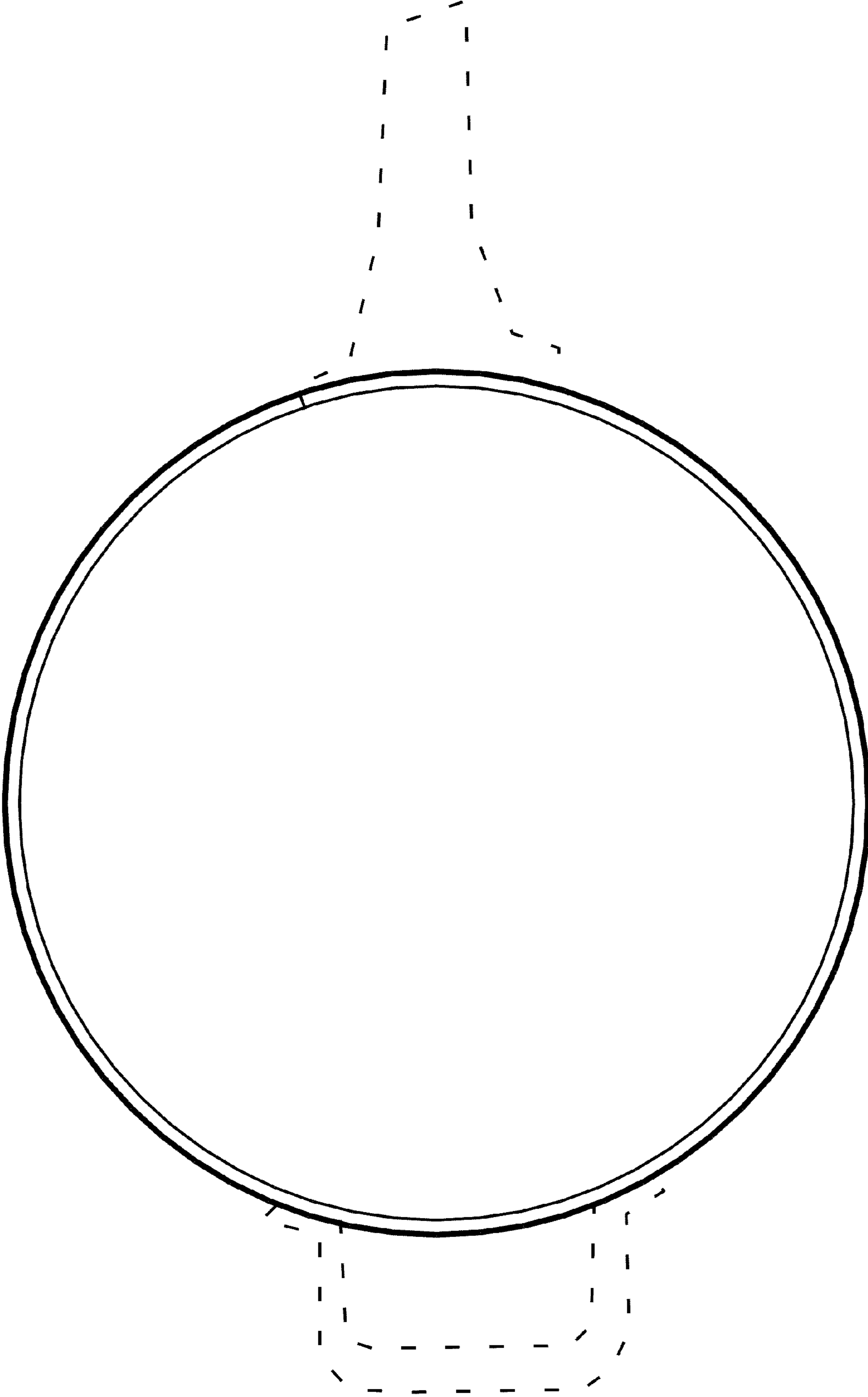


FIG. 2

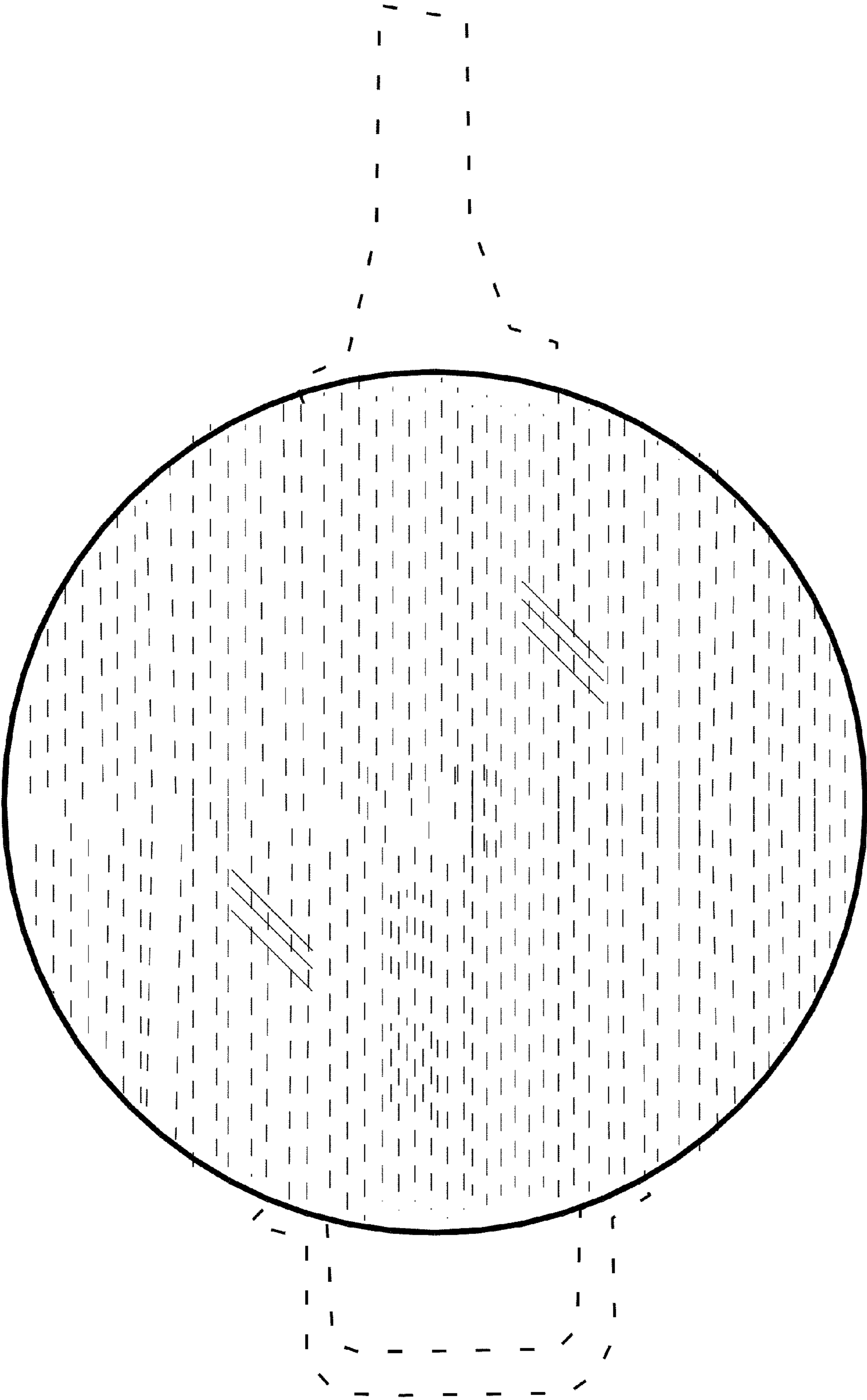


FIG. 3

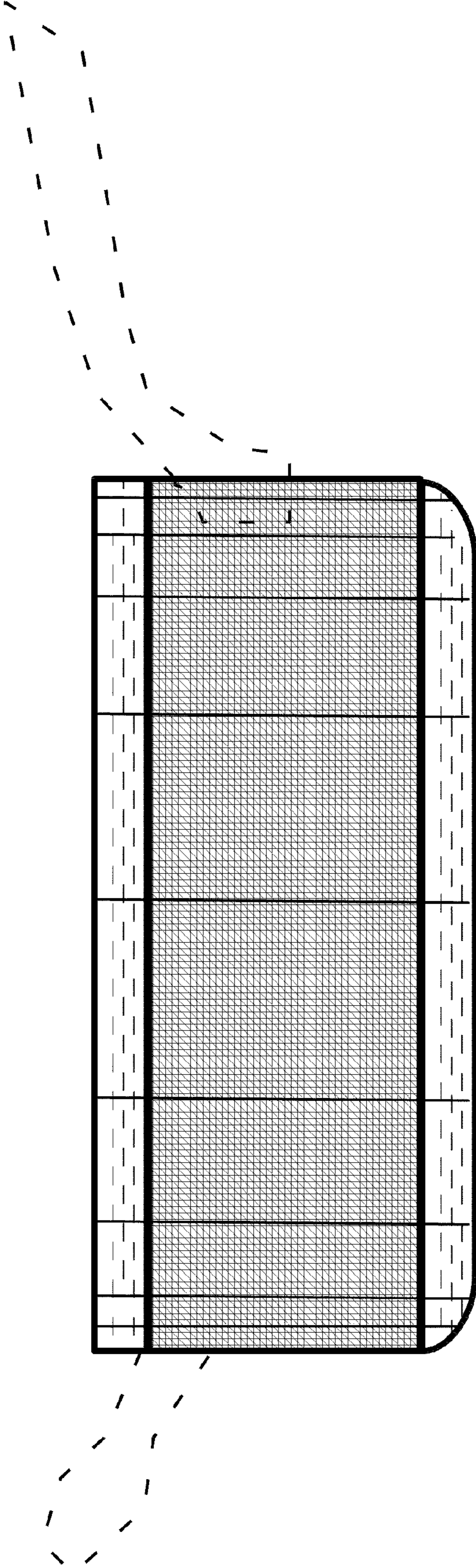


FIG. 4

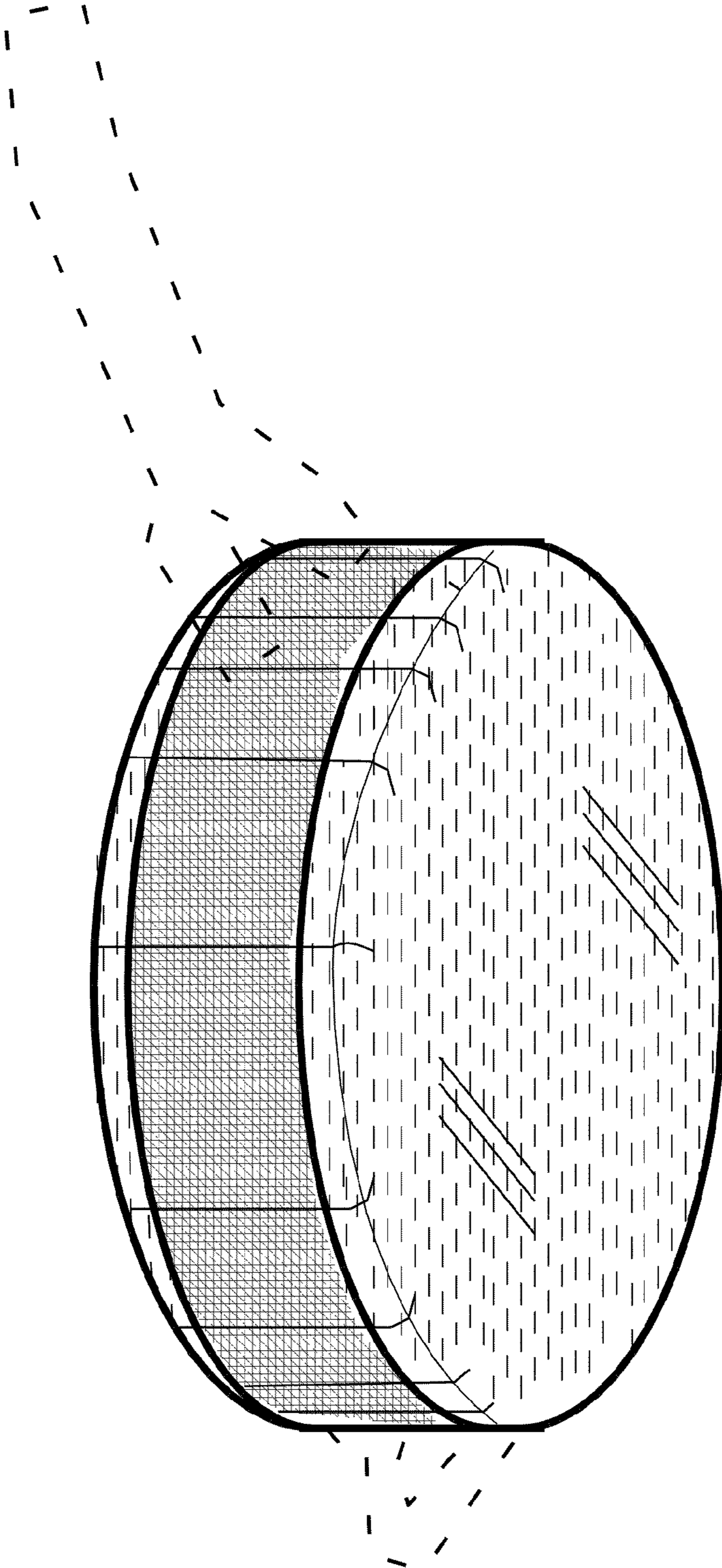


FIG. 5