



US00D641581S

(12) **United States Design Patent**
Ho

(10) **Patent No.:** **US D641,581 S**

(45) **Date of Patent:** **** Jul. 19, 2011**

(54) **BARBECUE DEVICE**

(76) Inventor: **Wei-Teh Ho**, Taipei (TW)

(**) Term: **14 Years**

(21) Appl. No.: **29/354,120**

(22) Filed: **Jan. 20, 2010**

(51) **LOC (9) Cl.** **07-02**

(52) **U.S. Cl.** **D7/328; D7/330**

(58) **Field of Classification Search** D7/309,
D7/323, 328-340, 347-348, 350.1-350.4,
D7/354-363; 99/324-325, 331-332, 337-339,
99/369, 403-418; 126/1 R, 3, 11, 25 R, 27;
219/438-442, 620-624, 725, 730-735
See application file for complete search history.

(56) **References Cited**

U.S. PATENT DOCUMENTS

D209,362 S	*	11/1967	Sutton et al.	D7/330
D244,341 S	*	5/1977	Hanson et al.	D7/330
D318,773 S	*	8/1991	Gebhardt	D7/330
D336,402 S	*	6/1993	Del Fresno	D7/330

D530,970 S	*	10/2006	Schwamkrug	D7/330
D594,269 S	*	6/2009	Lavy	D7/330
D599,607 S	*	9/2009	Verdun	D7/330
D603,649 S	*	11/2009	Chung et al.	D7/330
2010/0059038 A1	*	3/2010	Ho	126/25 R

* cited by examiner

Primary Examiner — Ricky Pham

(74) *Attorney, Agent, or Firm* — Chun-Ming Shih

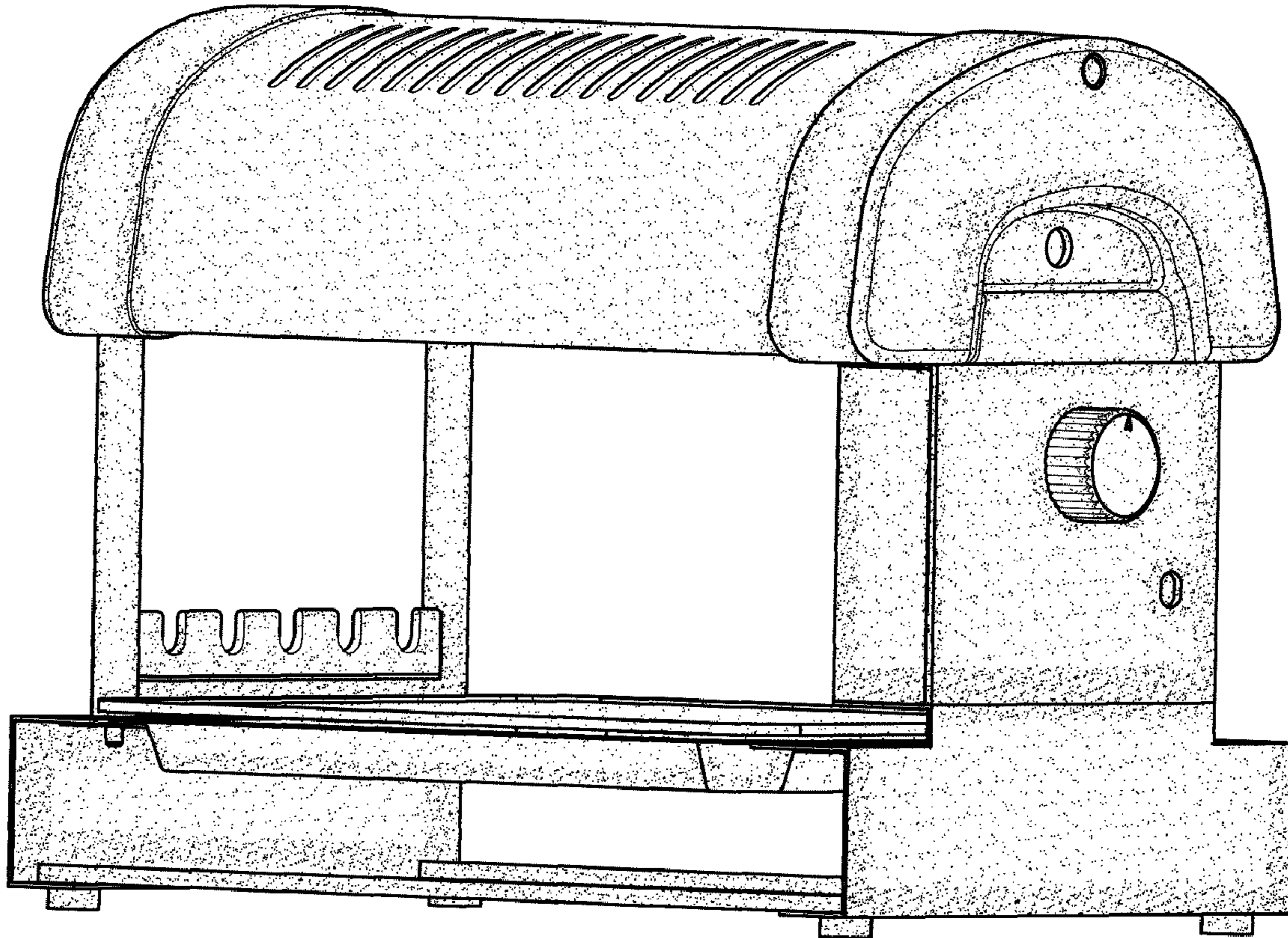
(57) **CLAIM**

The ornamental design for a barbecue device, as shown and described.

DESCRIPTION

FIG. 1 is a front right perspective view of a barbecue device showing my new design;
FIG. 2 is a front elevational view thereof;
FIG. 3 is a rear elevational view thereof;
FIG. 4 is a left side elevation view thereof;
FIG. 5 is a right side elevation view thereof;
FIG. 6 is a top plan view thereof; and,
FIG. 7 is a bottom plan view thereof.

1 Claim, 4 Drawing Sheets



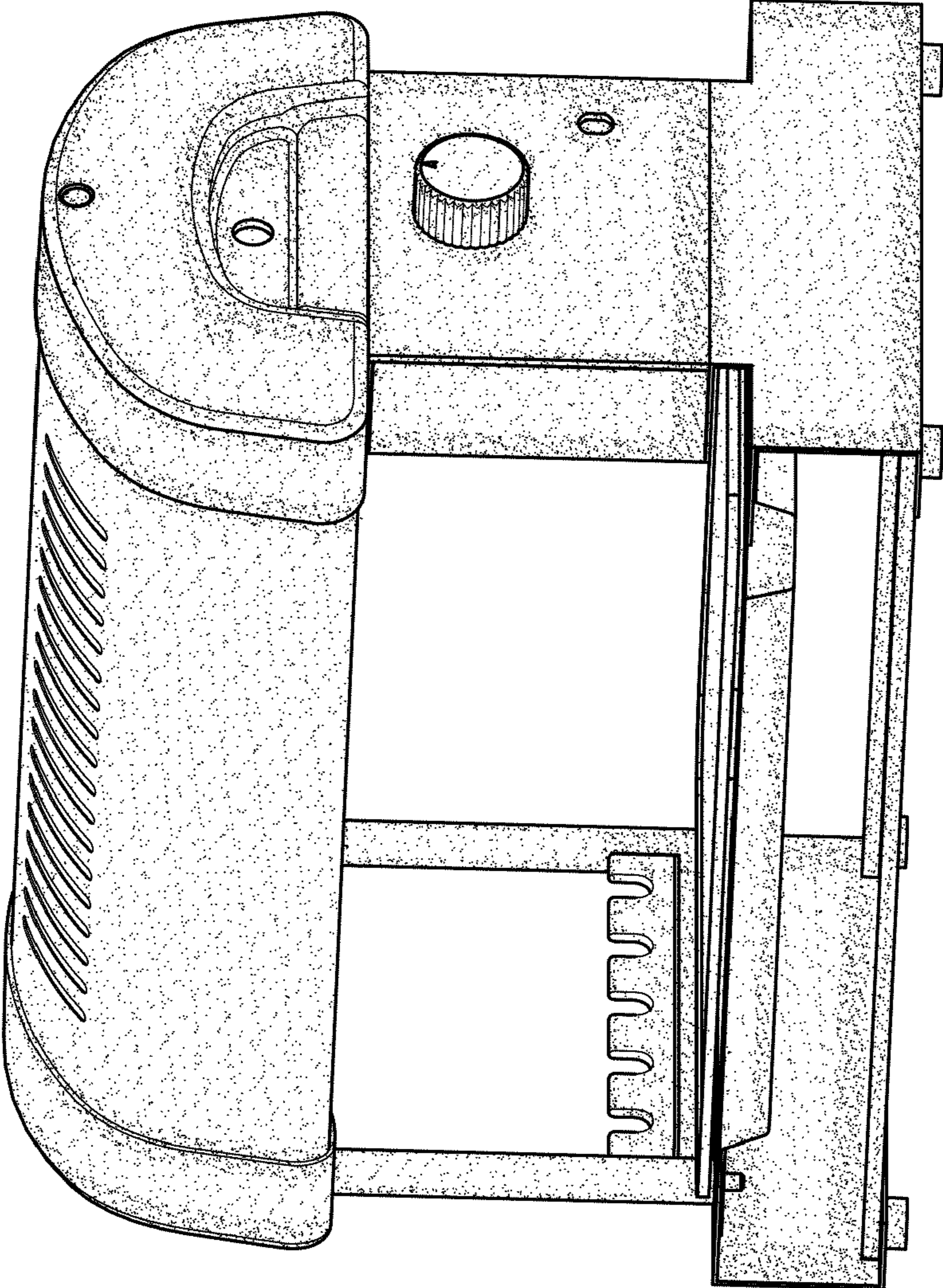


FIG. 1

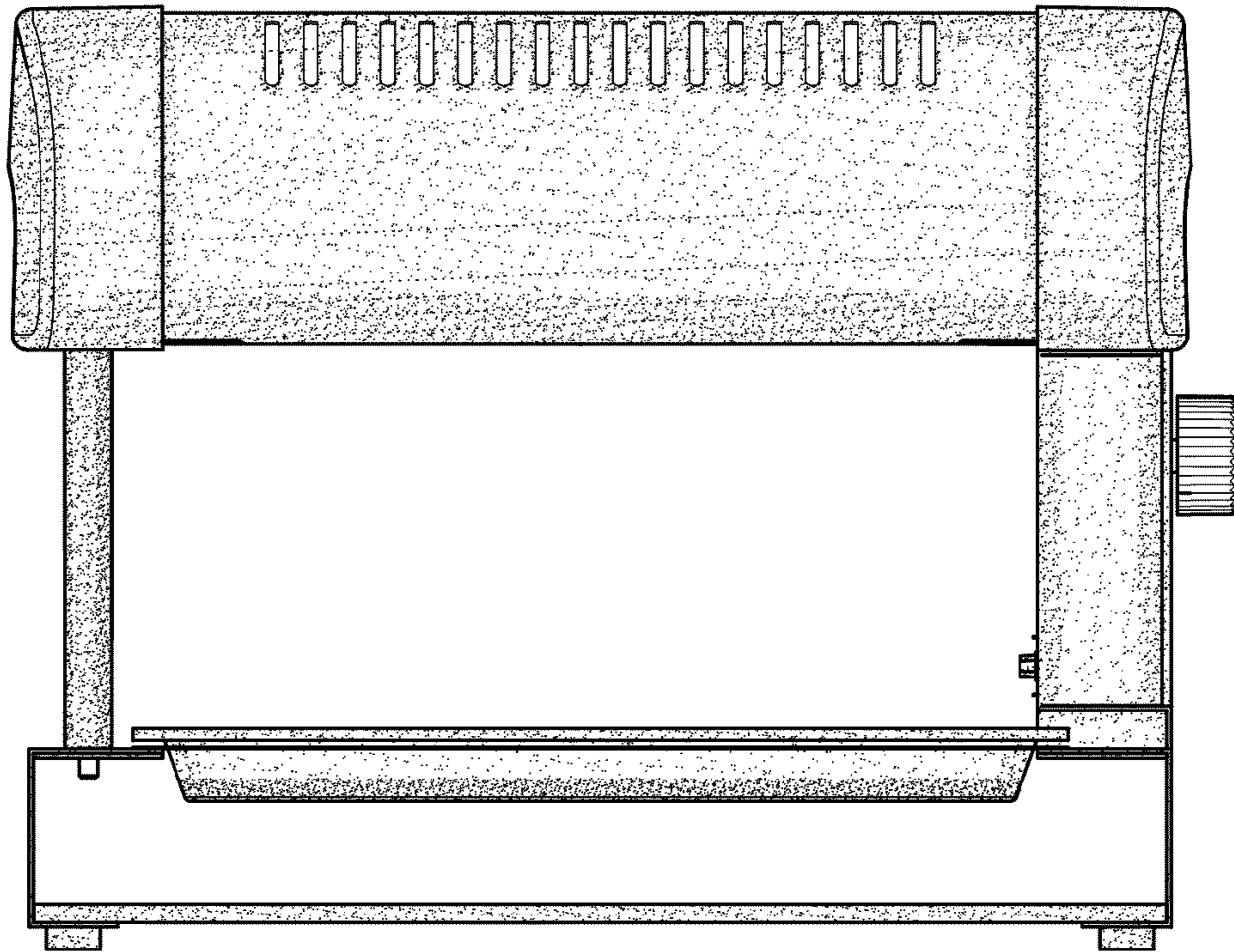


FIG. 2

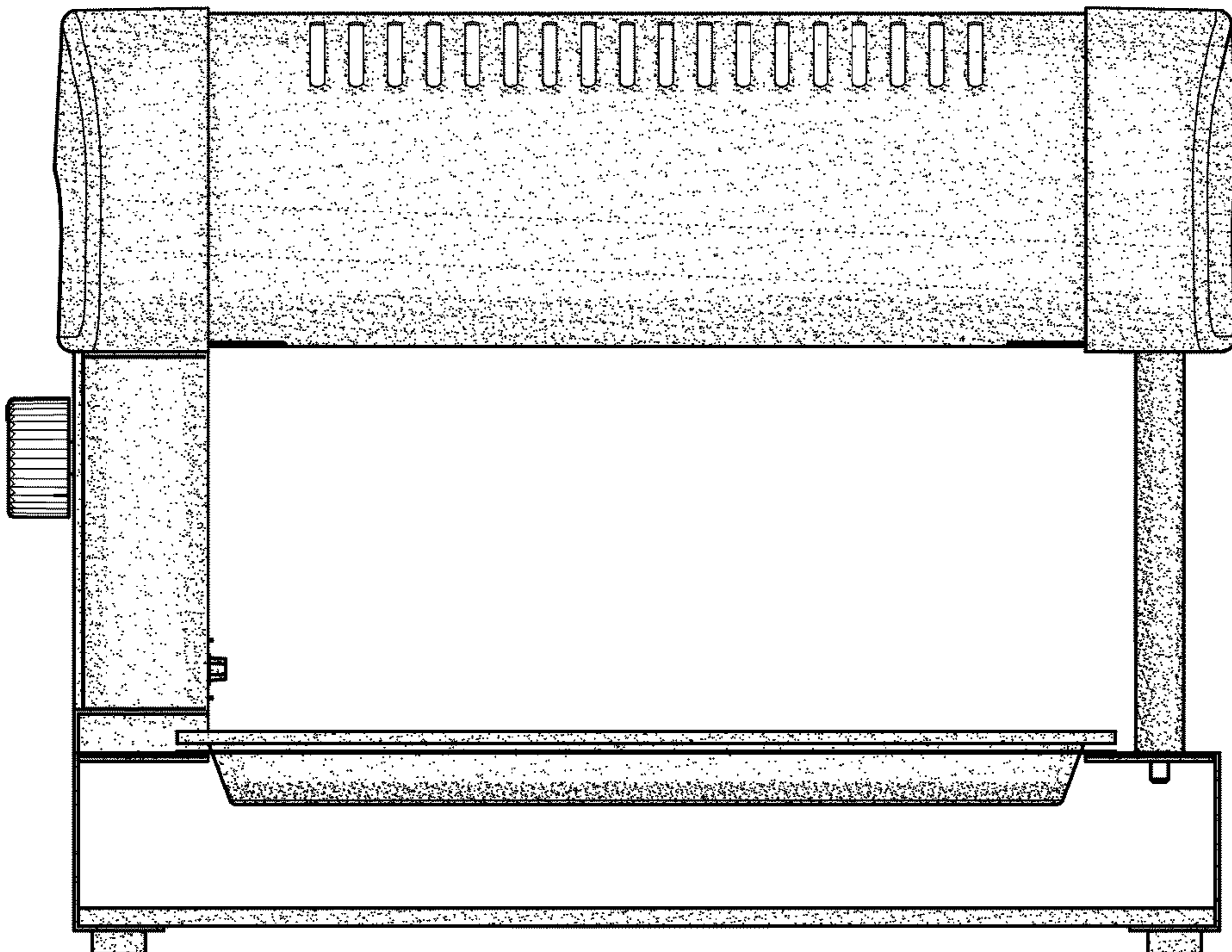


FIG. 3

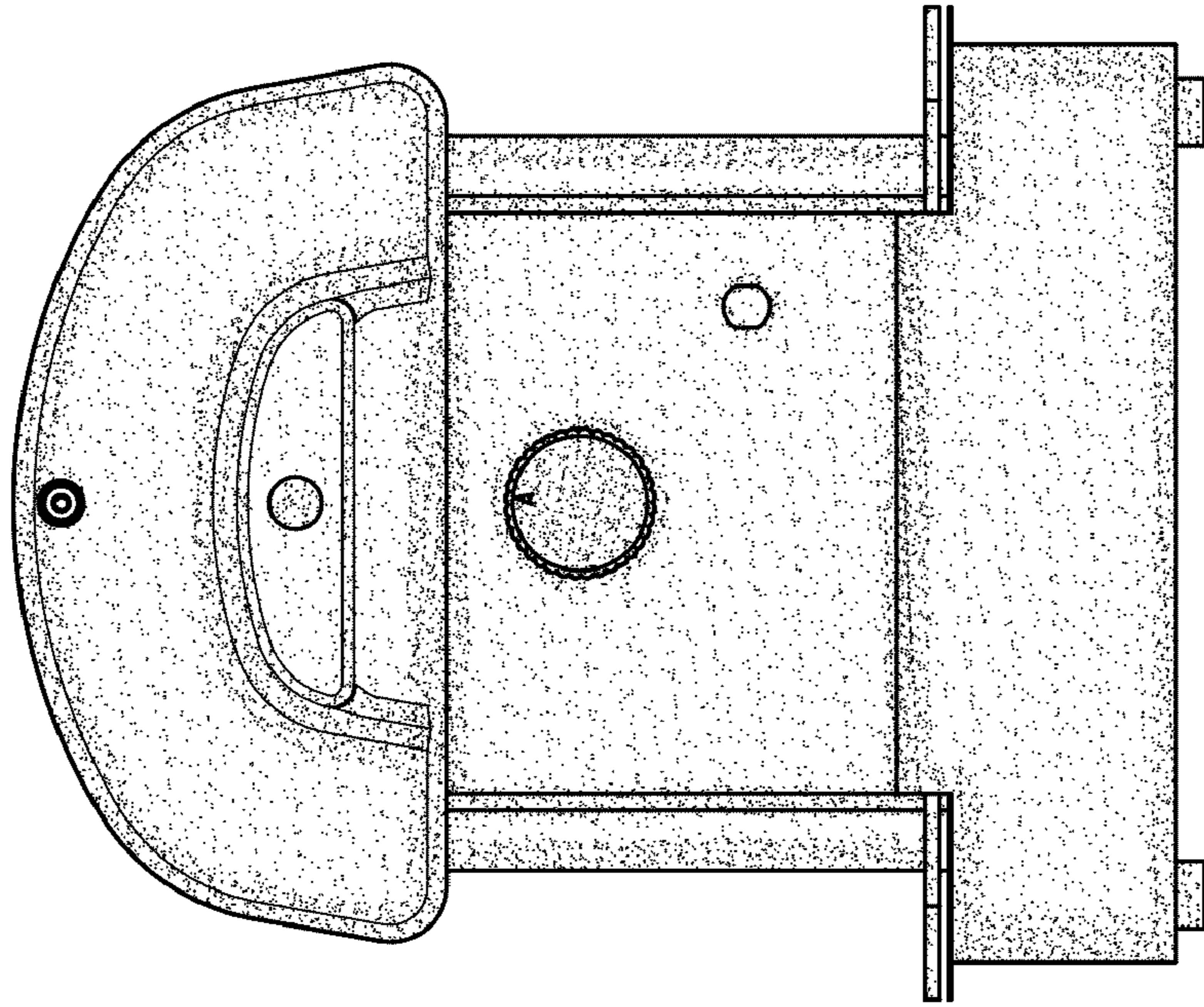


FIG. 4

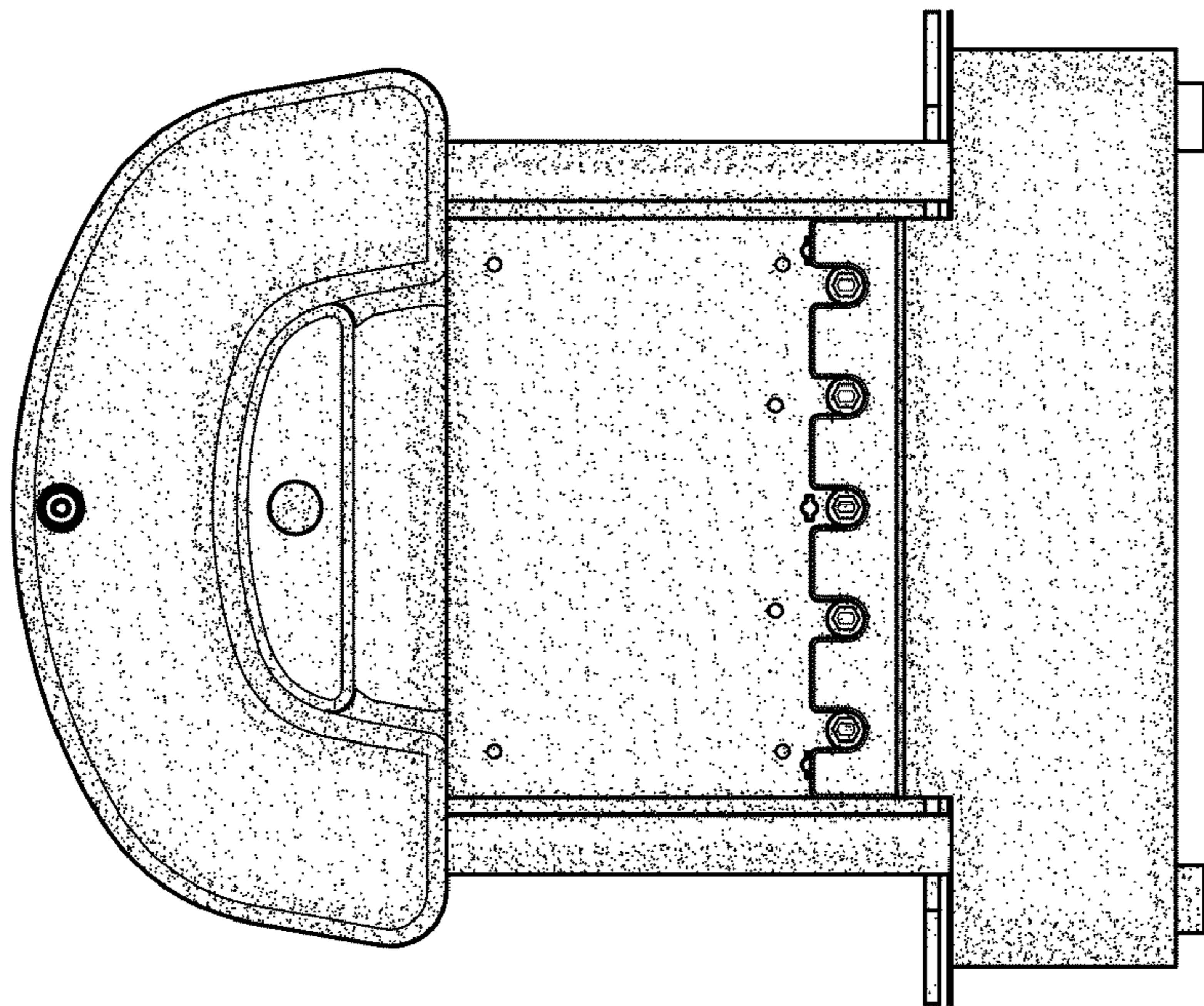


FIG. 5

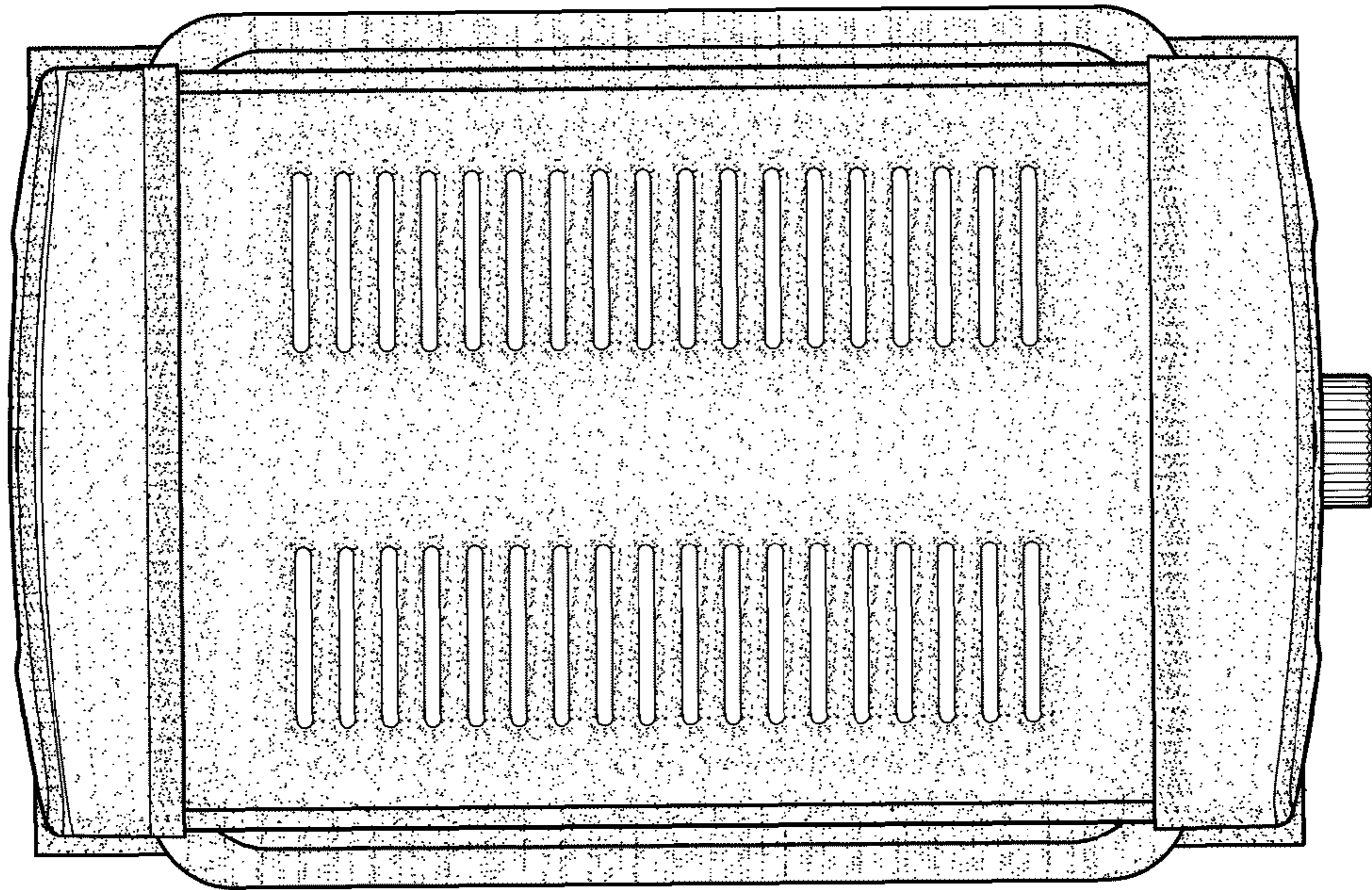


FIG. 6

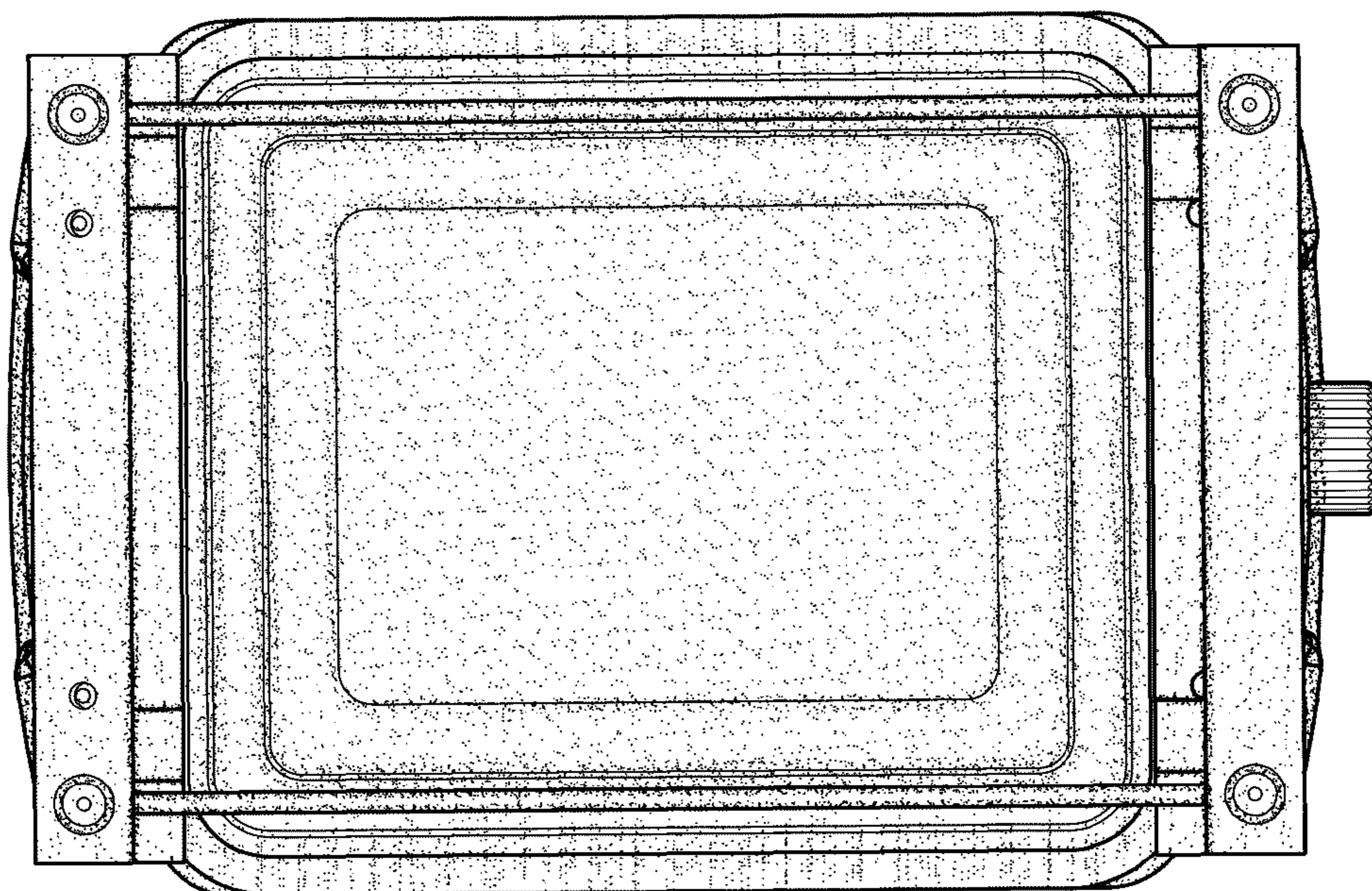


FIG. 7