



US00D641579S

(12) **United States Design Patent**
Wynalda, Jr. et al.

(10) **Patent No.:** **US D641,579 S**
(45) **Date of Patent:** **** Jul. 19, 2011**

(54) **MEDIA DISC STORAGE CONTAINER**

(76) Inventors: **Robert M. Wynalda, Jr.**, Comstock Park, MI (US); **Robert G. Rajter, Jr.**, Rockford, MI (US)

(**) **Term:** **14 Years**

(21) **Appl. No.:** **29/336,213**

(22) **Filed:** **Apr. 29, 2009**

(51) **LOC (9) Cl.** **06-04**

(52) **U.S. Cl.** **D6/628; D6/407**

(58) **Field of Classification Search** D6/407, D6/510, 626-635; D9/415, 418, 420, 422-426, D9/428, 432-433; D19/26-27; 206/307, 206/307.1, 308.1, 309-313, 308.2, 308.3, 206/445, 387.15, 749, 751; D3/273, 294, D3/295, 299-301, 303-304, 218, 201, 270; 312/9.1, 902, 9.9, 9.48, 9.55, 9.64, 9.47, 312/9.53; D14/478-479; 40/495; 434/404
See application file for complete search history.

(56) **References Cited**

U.S. PATENT DOCUMENTS

87,804	A *	3/1869	Tapley	206/311
909,410	A *	1/1909	Hirsch	206/311
958,059	A *	5/1910	Wright	206/311
1,368,803	A *	2/1921	Johnson	206/312
1,398,746	A *	11/1921	Smiler et al.	206/311
1,441,860	A *	1/1923	Krause	206/312
2,345,230	A	3/1944	Bender		
3,200,517	A *	8/1965	D'Agostino	434/174
3,289,334	A *	12/1966	Forest	40/495
3,337,119	A	8/1967	Bowers		
3,826,360	A	7/1974	Shore		
4,488,644	A	12/1984	Wynalda		
RE32,296	E	11/1986	Wynalda		
5,096,064	A	3/1992	Rufo		
5,101,973	A	4/1992	Martinez		

D339,063	S *	9/1993	Simon	D9/433
5,333,728	A	8/1994	O'Brien et al.		
5,422,875	A	6/1995	Bribach		
D360,360	S	7/1995	Kiolbasa		
D362,367	S *	9/1995	Olsson et al.	D6/632
5,460,265	A	10/1995	Kiolbasa		
D371,072	S *	6/1996	Baker et al.	D9/433
5,662,216	A *	9/1997	Nesbitt et al.	206/308.1
5,669,491	A *	9/1997	Petty	206/232
D386,406	S *	11/1997	House	D9/433

(Continued)

FOREIGN PATENT DOCUMENTS

WO WO 2009/102993 A2 8/2009

OTHER PUBLICATIONS

Office action in related U.S. Appl. No. 12/366,456 filed Feb. 5, 2009 (the published application has cited in earlier IDS).

Primary Examiner — T. Chase Nelson
(74) *Attorney, Agent, or Firm* — Zollinger & Burleson Ltd.

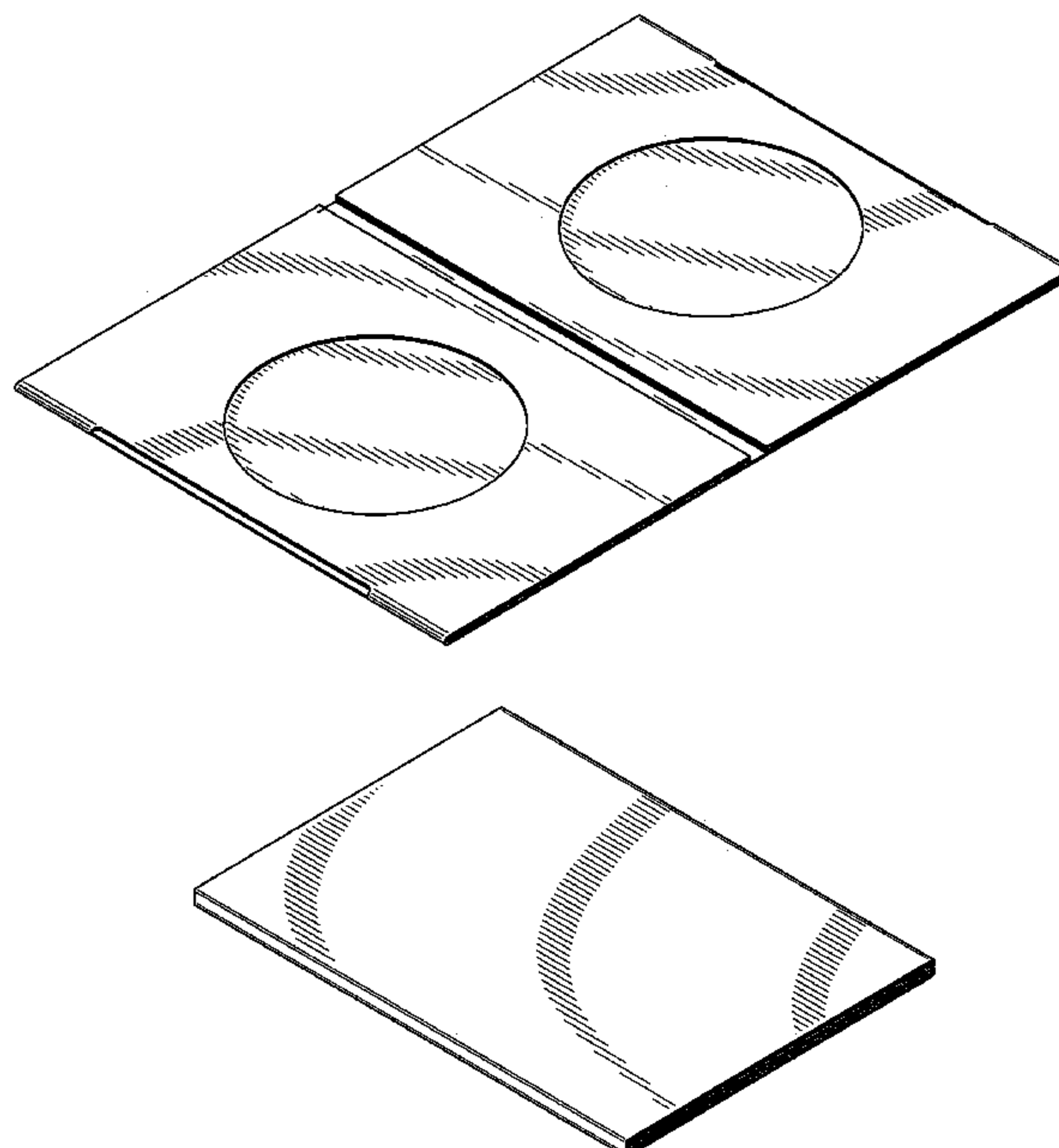
(57) **CLAIM**

The ornamental design for the media disc storage container, as shown and described.

DESCRIPTION

FIG. 1 is a perspective view of a media disc storage container in an open configuration;
FIG. 2 is a perspective view of the media disc storage container of FIG. 1 in a closed configuration;
FIG. 3 is a front elevation of FIG. 1;
FIG. 4 is a rear elevation of FIG. 1;
FIG. 5 is a left side view of FIG. 3;
FIG. 6 is a right side view of FIG. 3;
FIG. 7 is a top plan view of FIG. 3; and,
FIG. 8 is a bottom plan view of FIG. 3.

1 Claim, 6 Drawing Sheets



US D641,579 S

Page 2

U.S. PATENT DOCUMENTS

D387,976 S	12/1997	Mori	
5,735,396 A	4/1998	Condorodis	
5,772,019 A *	6/1998	Reed	206/308.1
5,819,928 A *	10/1998	Wynalda, Jr.	206/308.1
D406,002 S	2/1999	Price	
5,960,949 A	10/1999	Wynalda	
D417,974 S	12/1999	Mori	
D428,730 S	8/2000	Farnstrom	
6,105,762 A	8/2000	Petty	
6,109,432 A	8/2000	Pozzoli	
6,126,201 A	10/2000	Pace	
D433,808 S	11/2000	Moorhouse	
D436,785 S	1/2001	Kitch	
6,182,825 B1	2/2001	Butcher	
D443,435 S	6/2001	Farnstrom	
D447,052 S	8/2001	Goserud	
6,296,112 B1	10/2001	Petty	
D451,384 S	12/2001	Faulstich	
D452,762 S *	1/2002	Lee	D2/632
6,360,887 B1	3/2002	Petty	
D463,944 S *	10/2002	Wynalda et al.	D6/635
D477,143 S *	7/2003	Nagata et al.	D3/294
6,845,865 B2 *	1/2005	Wynalda et al.	206/308.1
D502,041 S *	2/2005	Wynalda et al.	D6/632
D514,861 S	2/2006	Mundy	
7,028,835 B1	4/2006	Rajter	
D519,773 S	5/2006	Jun	
D526,896 S *	8/2006	Partida	D6/634
7,156,288 B2	1/2007	Liddell	
7,201,402 B2 *	4/2007	Duprey	281/38
D558,503 S	1/2008	Hurley	
D559,578 S	1/2008	Kaiser	
D562,049 S *	2/2008	Abolfazlian	D6/632
7,325,341 B2 *	2/2008	Mouyal	40/124.01
D574,654 S	8/2008	Kaiser	
D582,192 S	12/2008	Pan	
D586,602 S *	2/2009	Sankey et al.	D6/632
D595,989 S *	7/2009	Valladares	D6/634
D599,153 S	9/2009	Wynalda	
D599,154 S	9/2009	Wynalda	
D599,155 S	9/2009	Wynalda	
D599,156 S	9/2009	Wynalda	
D600,964 S *	9/2009	Eliaš et al.	D6/626
D600,965 S *	9/2009	Eliaš et al.	D6/626
D609,563 S *	2/2010	Daum et al.	D6/634
D614,904 S *	5/2010	Lau	D6/634
D619,845 S	7/2010	Gelardi et al.	
7,775,352 B2 *	8/2010	Alvarez et al.	206/310
D622,997 S *	9/2010	Wynalda et al.	D6/632
2002/0118948 A1	8/2002	Jones	
2004/0045843 A1	3/2004	Exline	
2006/0006080 A1 *	1/2006	Gustafsson et al.	206/308.1
2006/0175211 A1	8/2006	Intveen	
2007/0235356 A1 *	10/2007	Durham et al.	206/308.1
2007/0251843 A1	11/2007	Wynalda	
2008/0017536 A1	1/2008	Wynalda	
2008/0083145 A1	4/2008	Wynalda	
2009/0194442 A1	8/2009	Wynalda	
2009/0288968 A1 *	11/2009	Wynalda, Jr.	206/308.1
2010/0000890 A1 *	1/2010	Belden et al.	206/307
2010/0126890 A1	5/2010	Libohova	
2010/0243489 A1 *	9/2010	Sabry	206/308.1
2010/0243490 A1 *	9/2010	Wynalda et al.	206/308.1

* cited by examiner

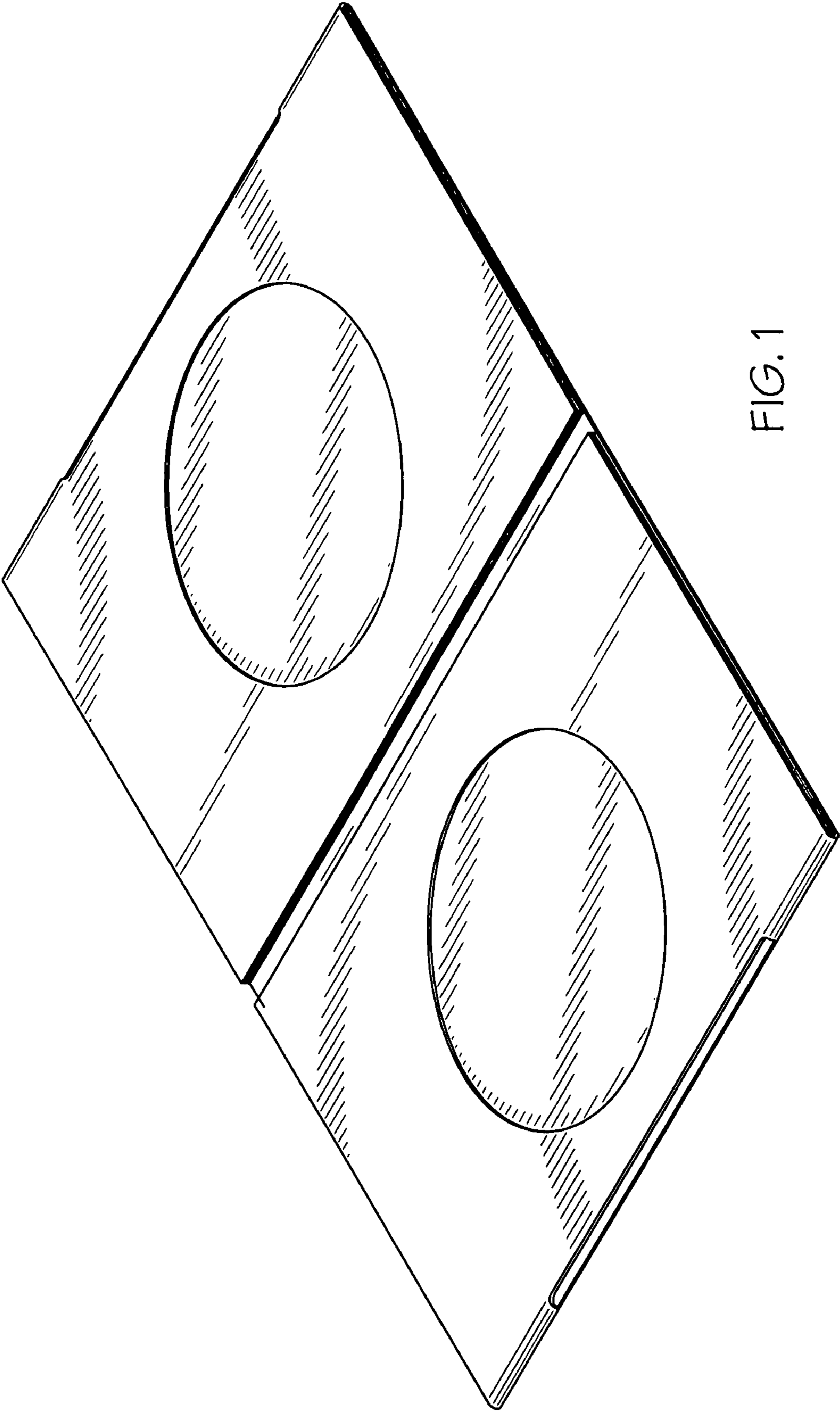


FIG. 1

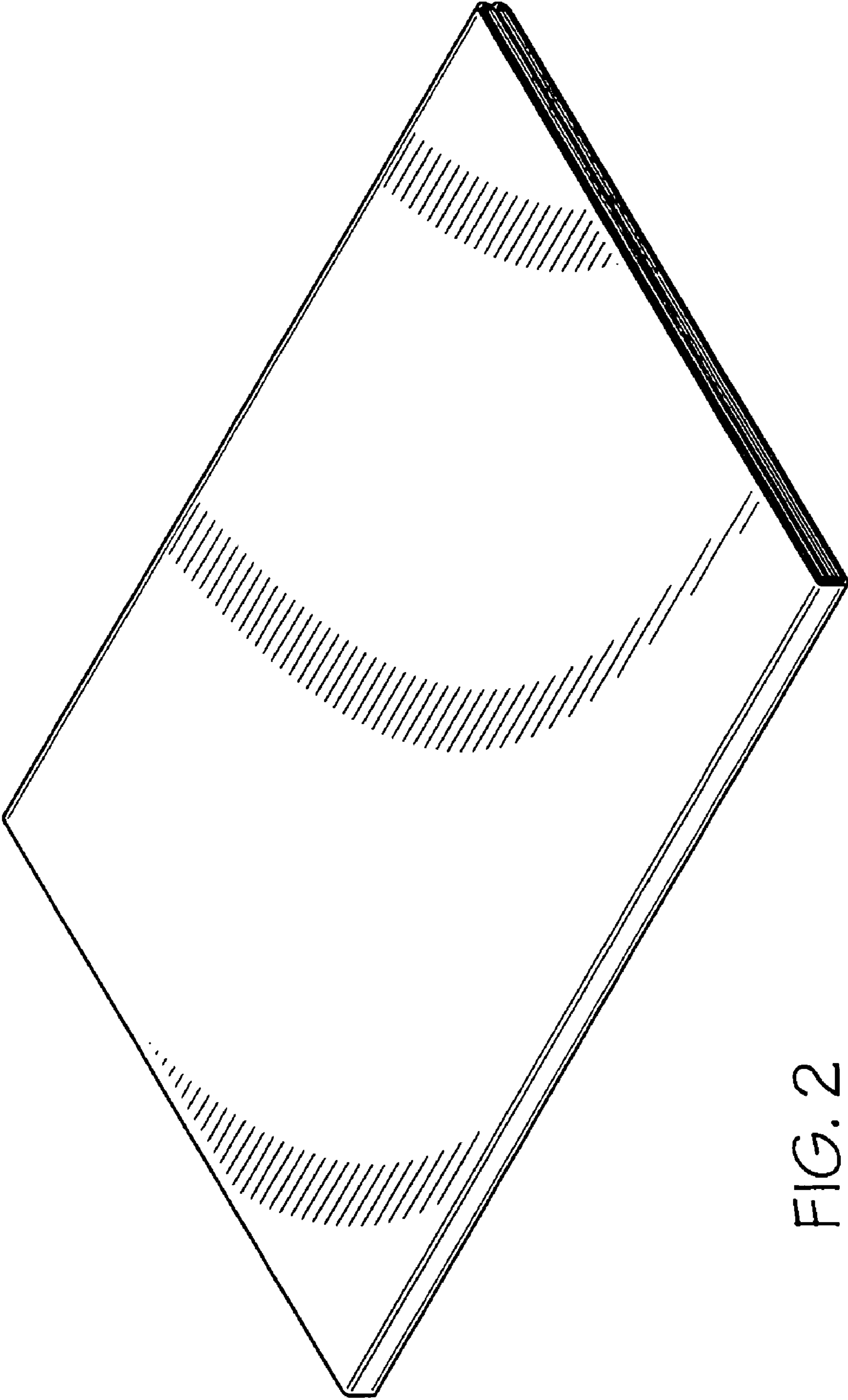


FIG. 2

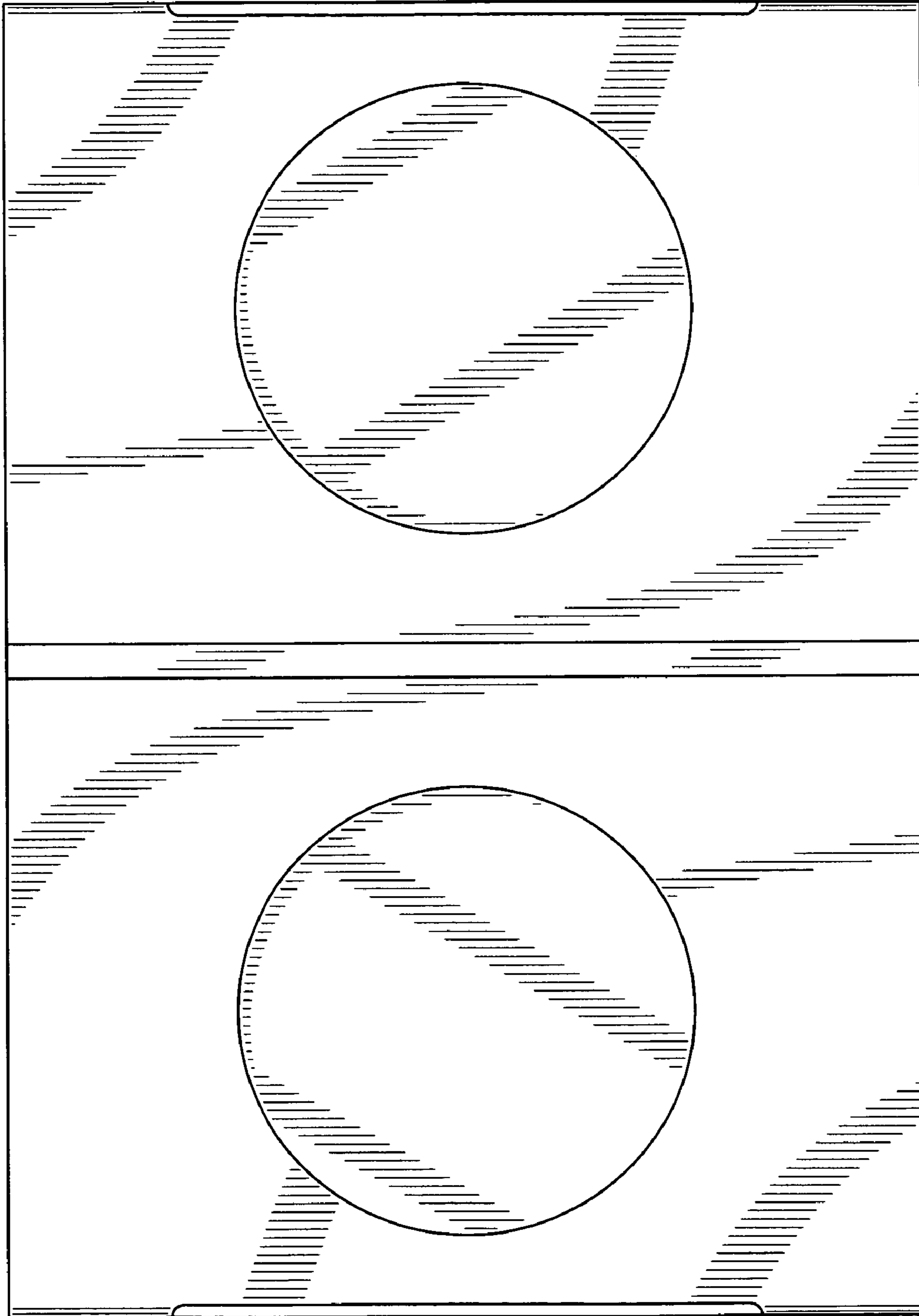


FIG. 3

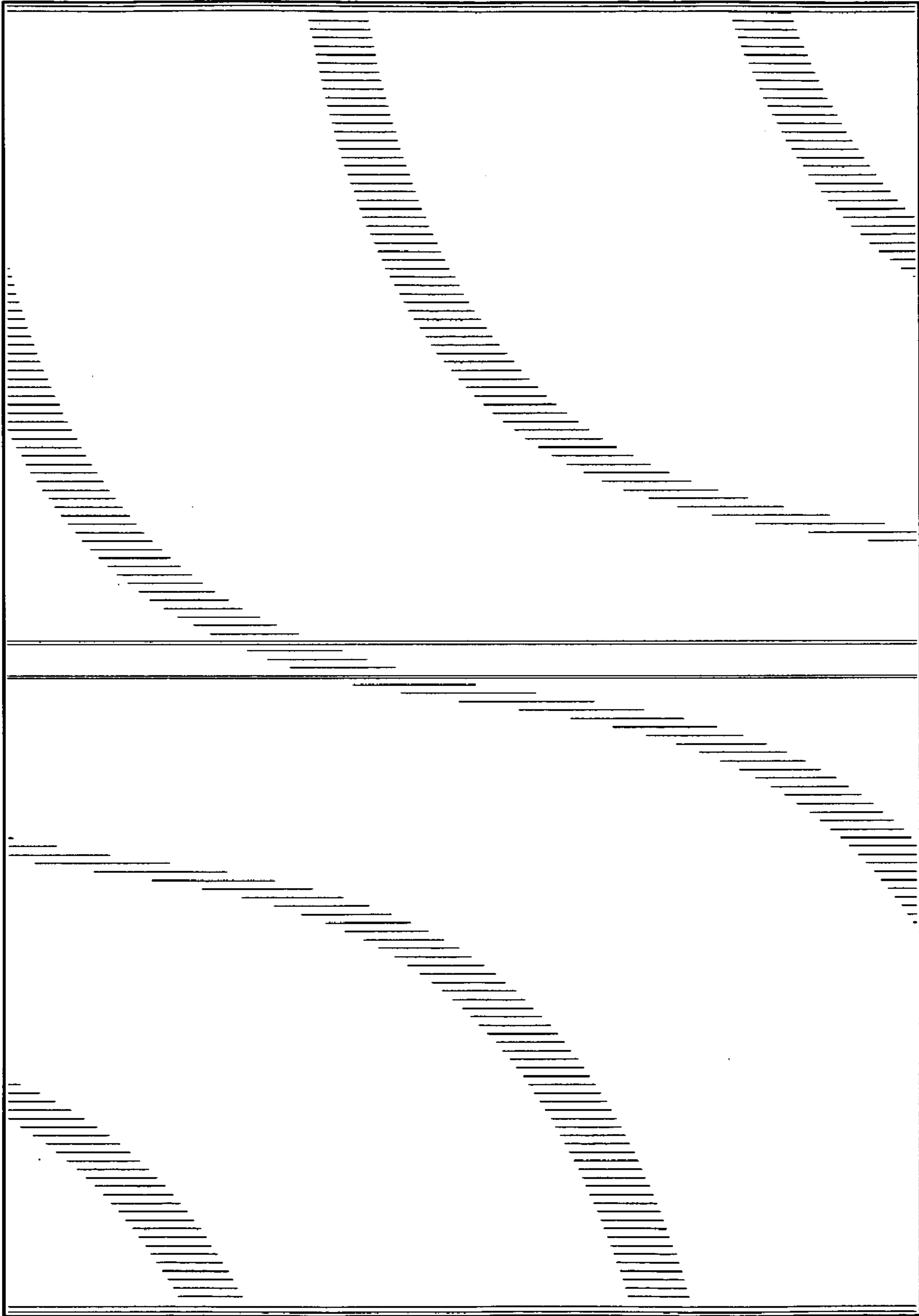


FIG. 4

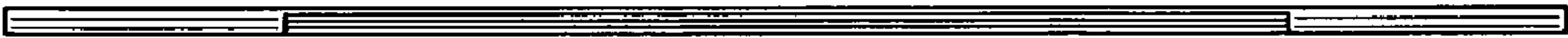


FIG. 6



FIG. 5



FIG. 7



FIG. 8