



US00D641576S

(12) **United States Design Patent**
Giugiaro

(10) **Patent No.:** **US D641,576 S**
(45) **Date of Patent:** **** Jul. 19, 2011**

(54) **CHAIR**

(75) Inventor: **Fabrizio Giugiaro**, Turin (IT)

(73) Assignee: **Okamura Corporation**, Kanagawa (JP)

(**) Term: **14 Years**

(21) Appl. No.: **29/379,198**

(22) Filed: **Nov. 16, 2010**

(30) **Foreign Application Priority Data**

May 17, 2010 (JP) 2010-012085

(51) **LOC (9) Cl.** **06-01**

(52) **U.S. Cl.** **D6/502; D6/366**

(58) **Field of Classification Search** D6/334-336,
D6/360-369, 373-374, 379-380, 498, 500-502,
D6/601; 297/284.1-284.5, 291, 297, 303.1,
297/411.2, 411.27-411.29, 452.13, 452.19,
297/452.21, 452.29, 452.3, 452.56, 452.63
See application file for complete search history.

(56) **References Cited**

U.S. PATENT DOCUMENTS

D320,507 S *	10/1991	Shields	D6/366
D403,518 S *	1/1999	Wilson	D6/366
D403,520 S *	1/1999	Wilson	D6/366
D435,747 S *	1/2001	Ho-Tsai et al.	D6/501
D438,733 S *	3/2001	Jenkins et al.	D6/502
6,669,301 B1 *	12/2003	Funk et al.	297/452.63
D543,388 S *	5/2007	Machael et al.	D6/501

7,216,933 B2 *	5/2007	Schmidt et al.	297/284.4
D550,467 S *	9/2007	Koepke et al.	D6/366
D568,074 S *	5/2008	Koepke et al.	D6/501
D602,289 S *	10/2009	Mezzera	D6/501
D616,655 S *	6/2010	Igarashi	D6/366
2011/0031793 A1 *	2/2011	Machael et al.	297/303.1

* cited by examiner

Primary Examiner — Ricky Pham

(74) *Attorney, Agent, or Firm* — Sughrue Mion, PLLC

(57) **CLAIM**

The ornamental design for a chair, as shown and described.

DESCRIPTION

FIG. 1 is a perspective view from the front side of a chair.

FIG. 2 is a perspective view from the rear side thereof.

FIG. 3 is a front elevation view thereof.

FIG. 4 is a rear elevation view thereof.

FIG. 5 is a right side elevation view thereof. A left side elevation view is omitted because it is a mirror image to the right side elevation view.

FIG. 6 is a top plan view thereof.

FIG. 7 is a bottom plan view thereof.

FIG. 8 is a perspective view from the front side thereof when it is sat on; and,

FIG. 9 is a perspective view from the rear side thereof when it is sat on.

The portions of the chair shown in broken lines is for the purpose of showing environmental structure only and form no part of the claimed design. The backrest sheet has a mesh pattern and this backrest sheet forms no part of the claimed design.

1 Claim, 9 Drawing Sheets

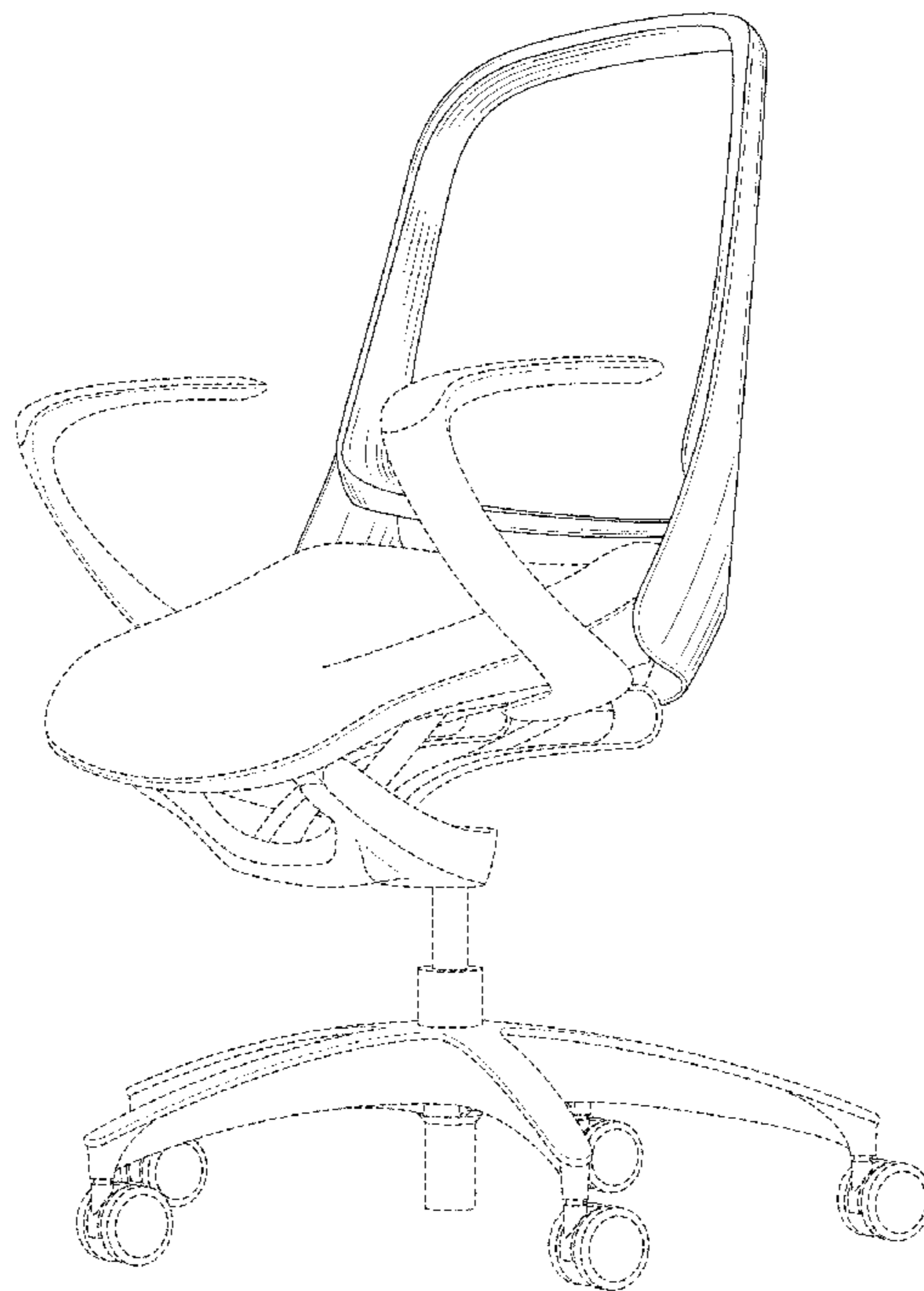


FIG. 1

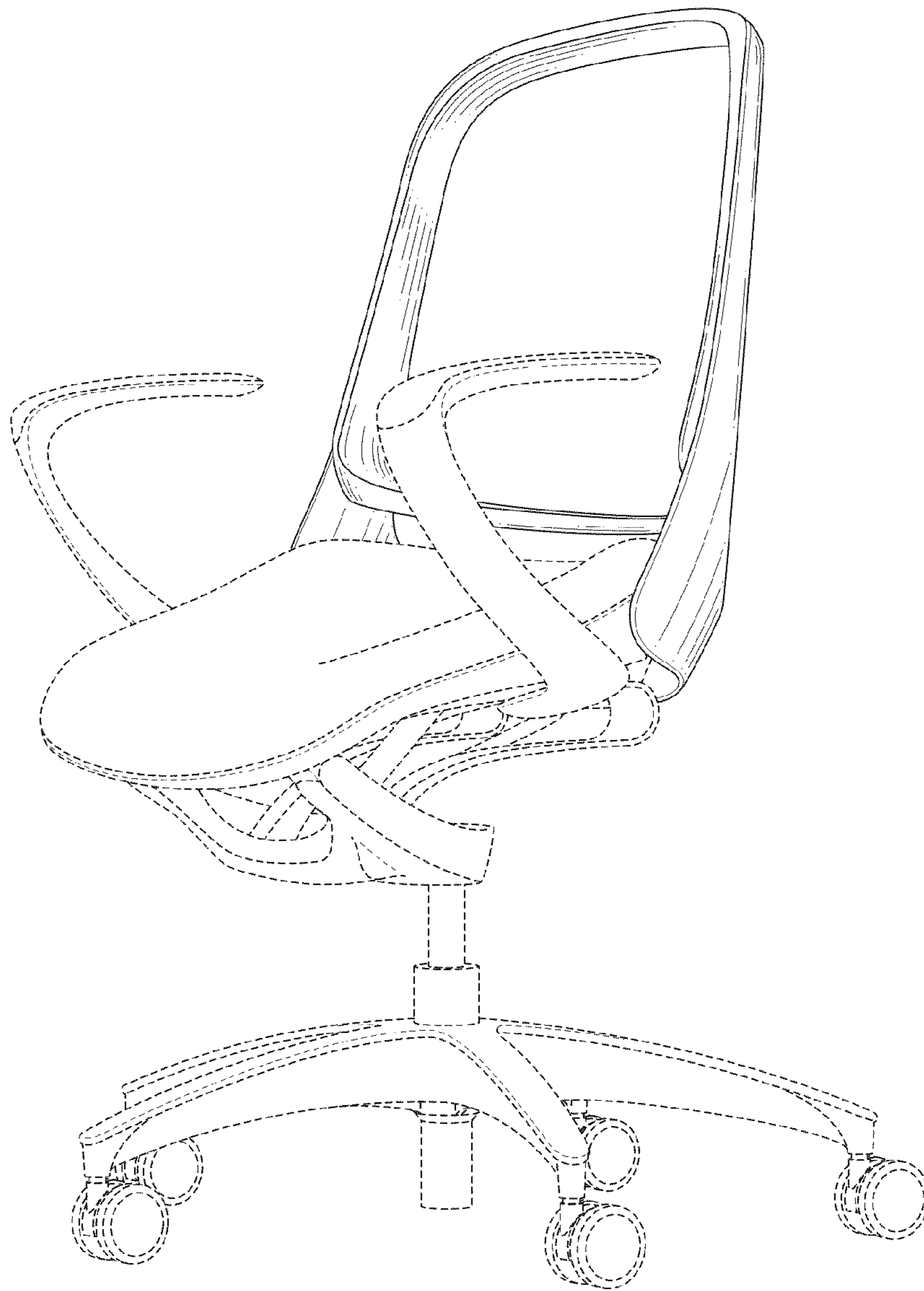


FIG. 2

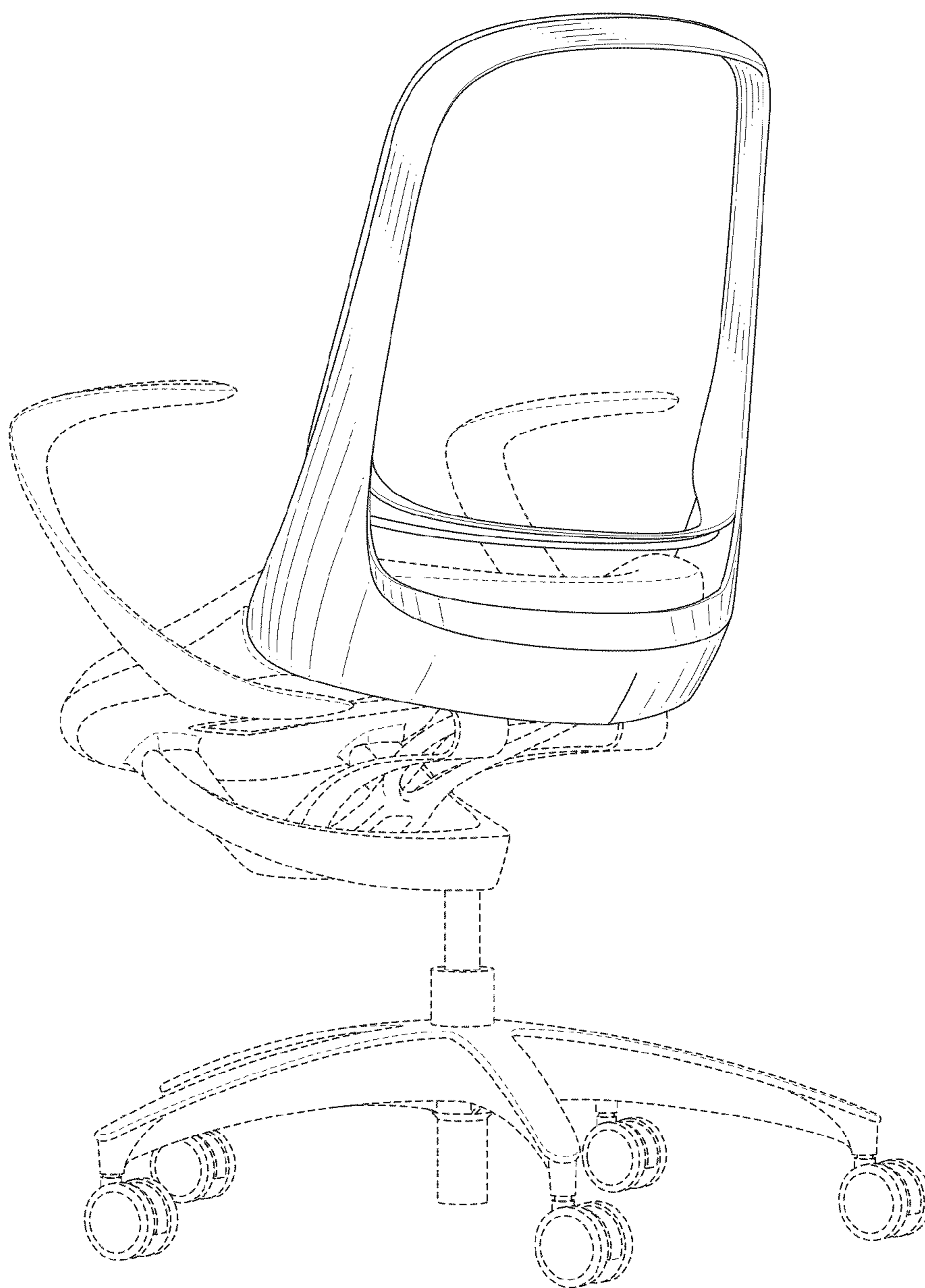


FIG. 3

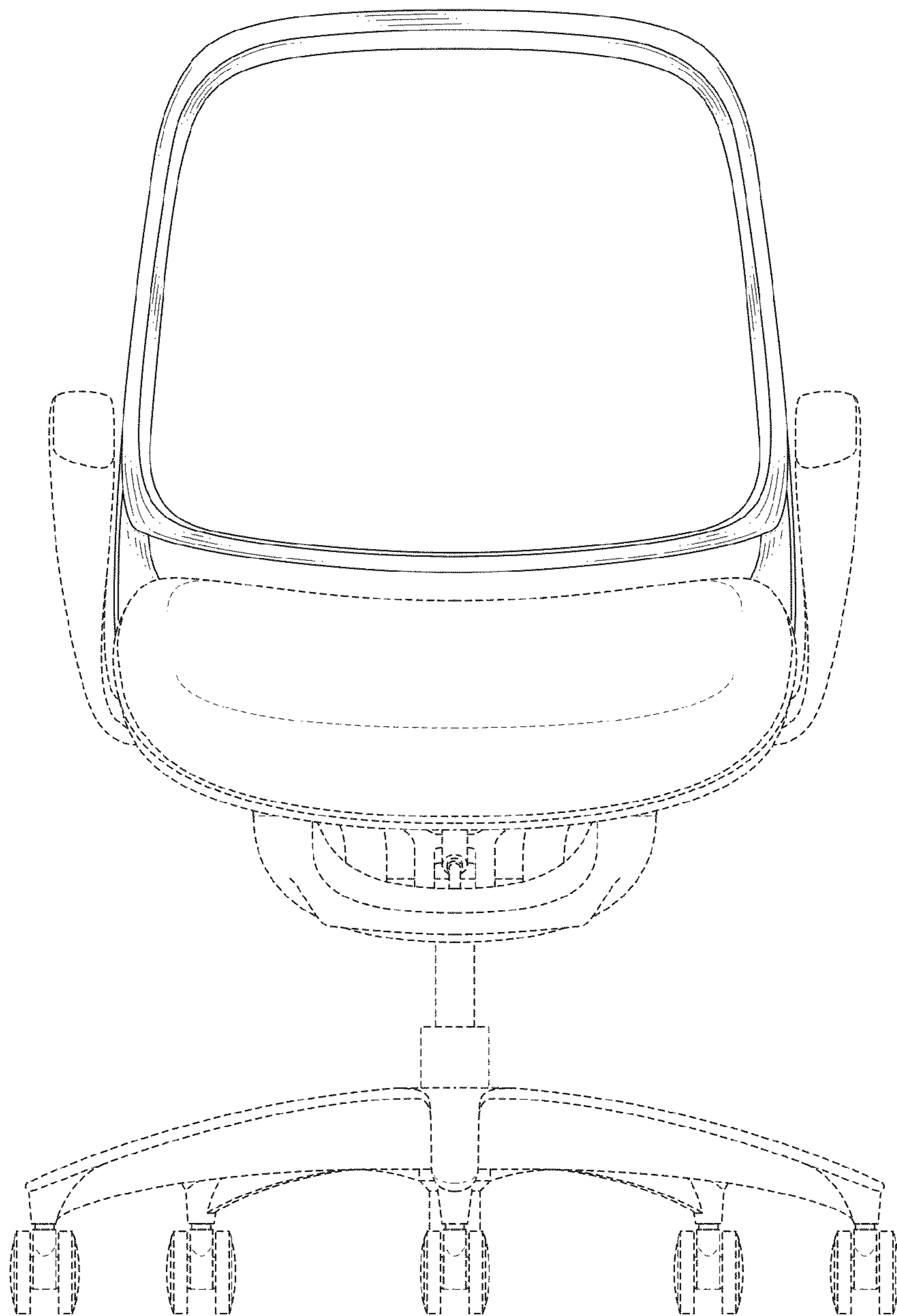


FIG. 4

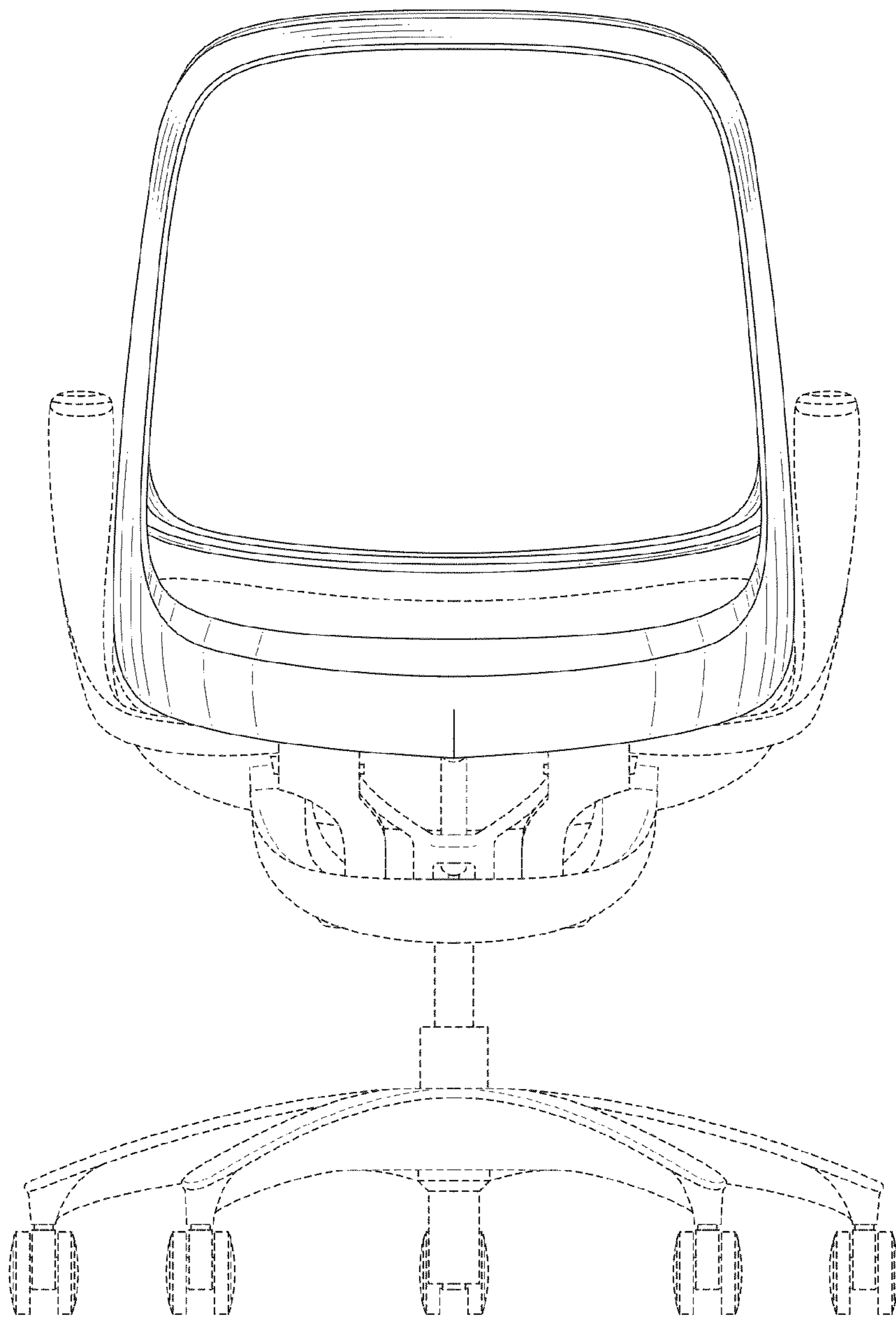


FIG. 5

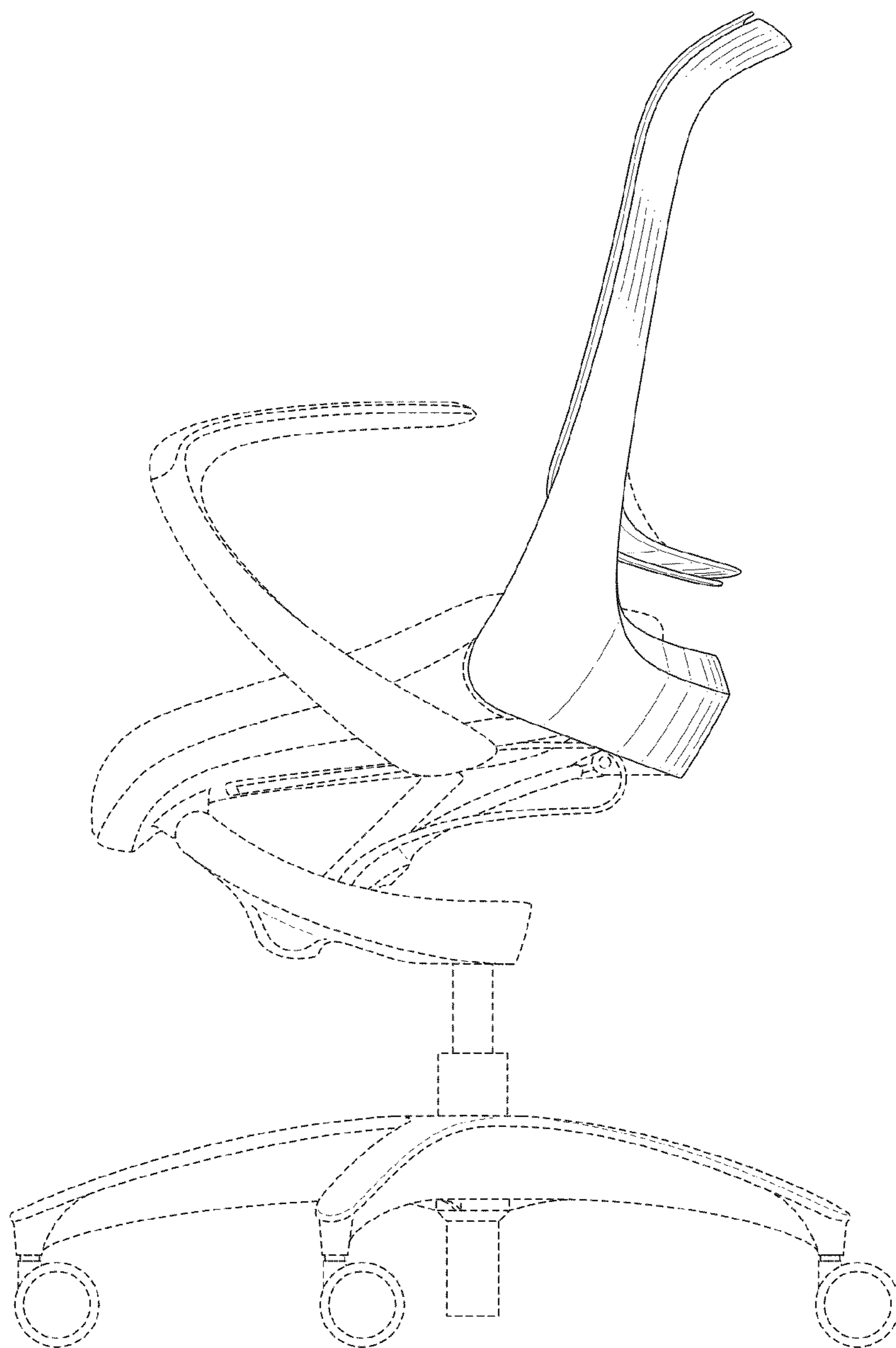


FIG. 6

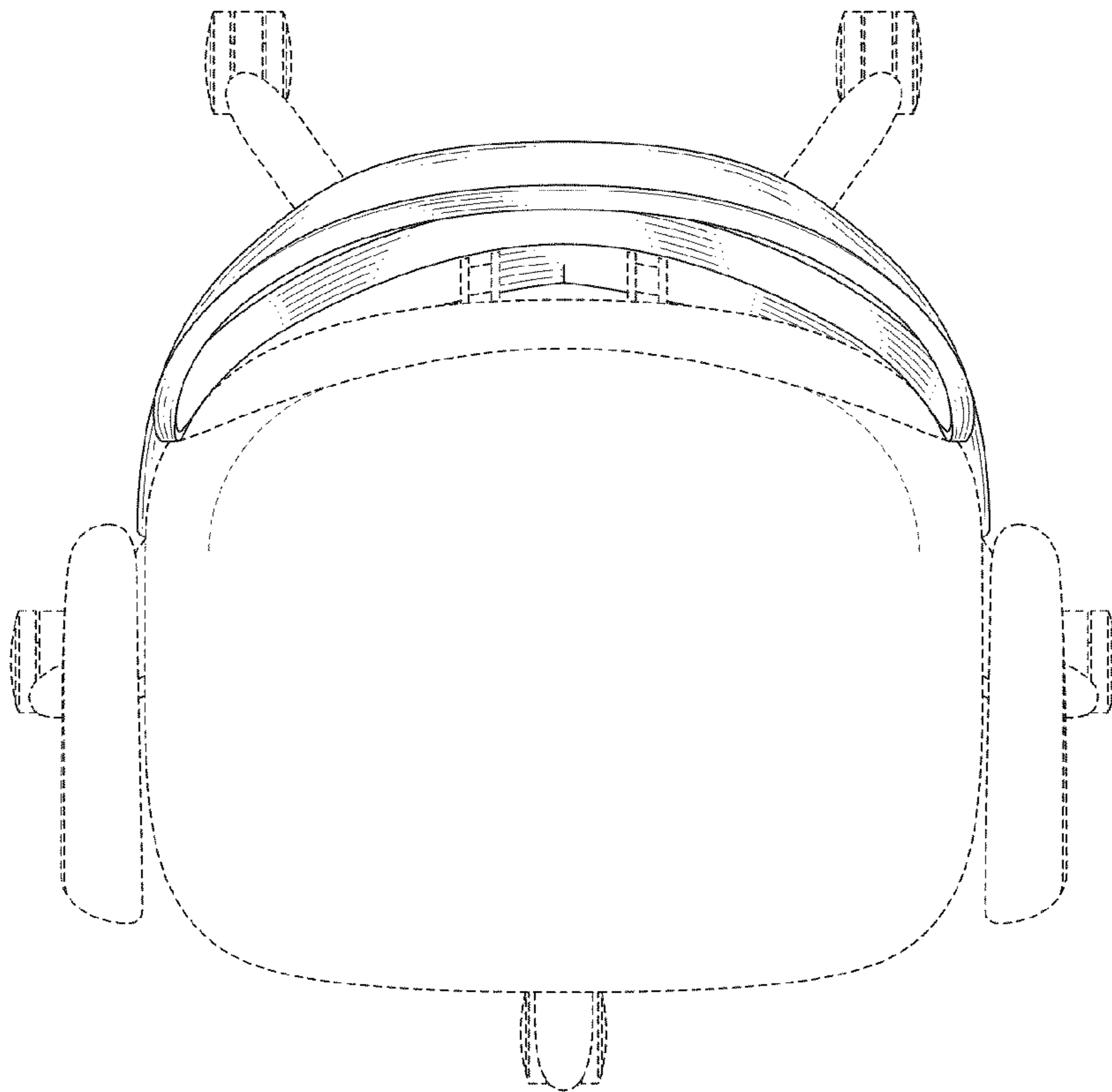


FIG. 7

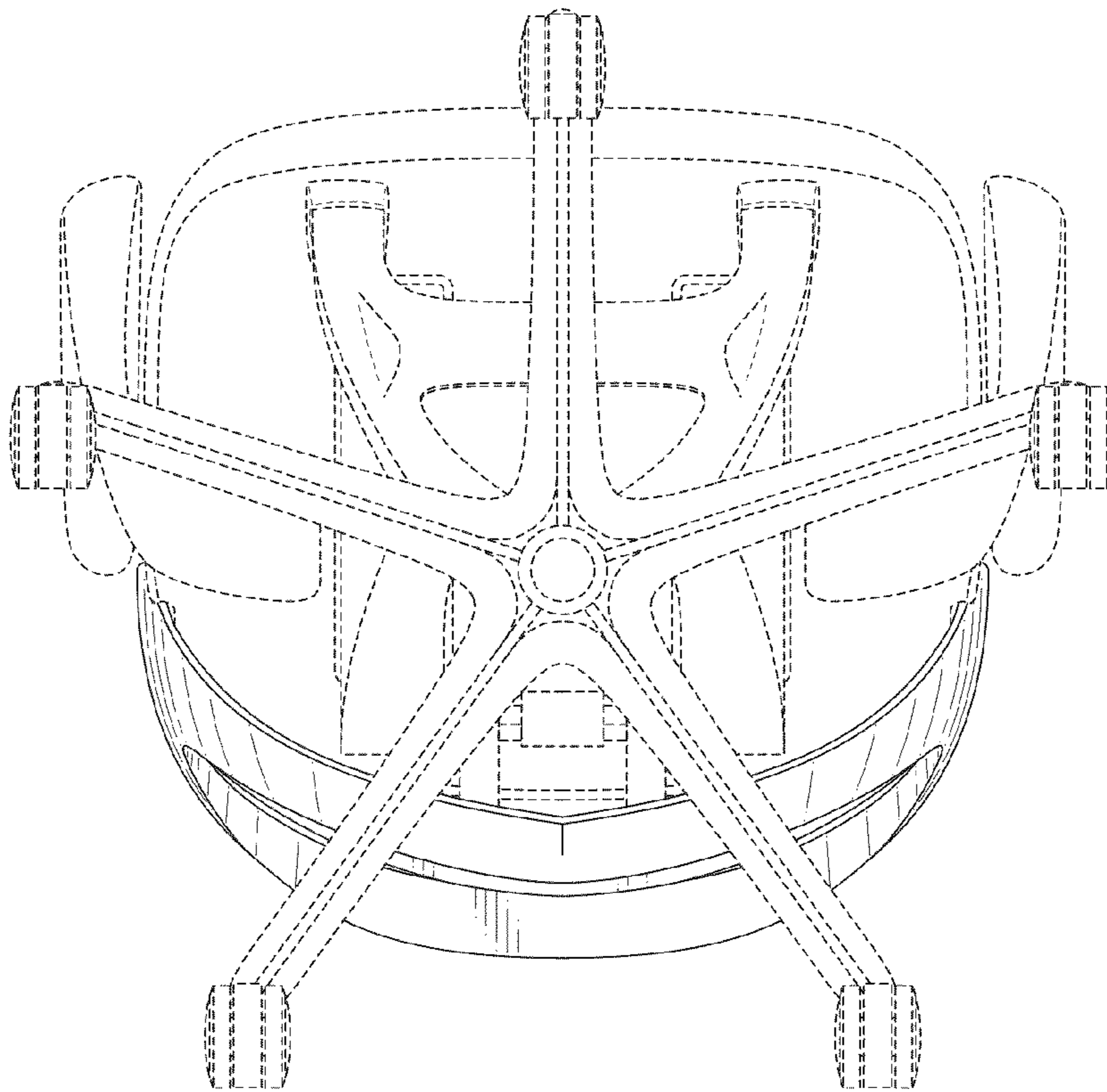


FIG. 8

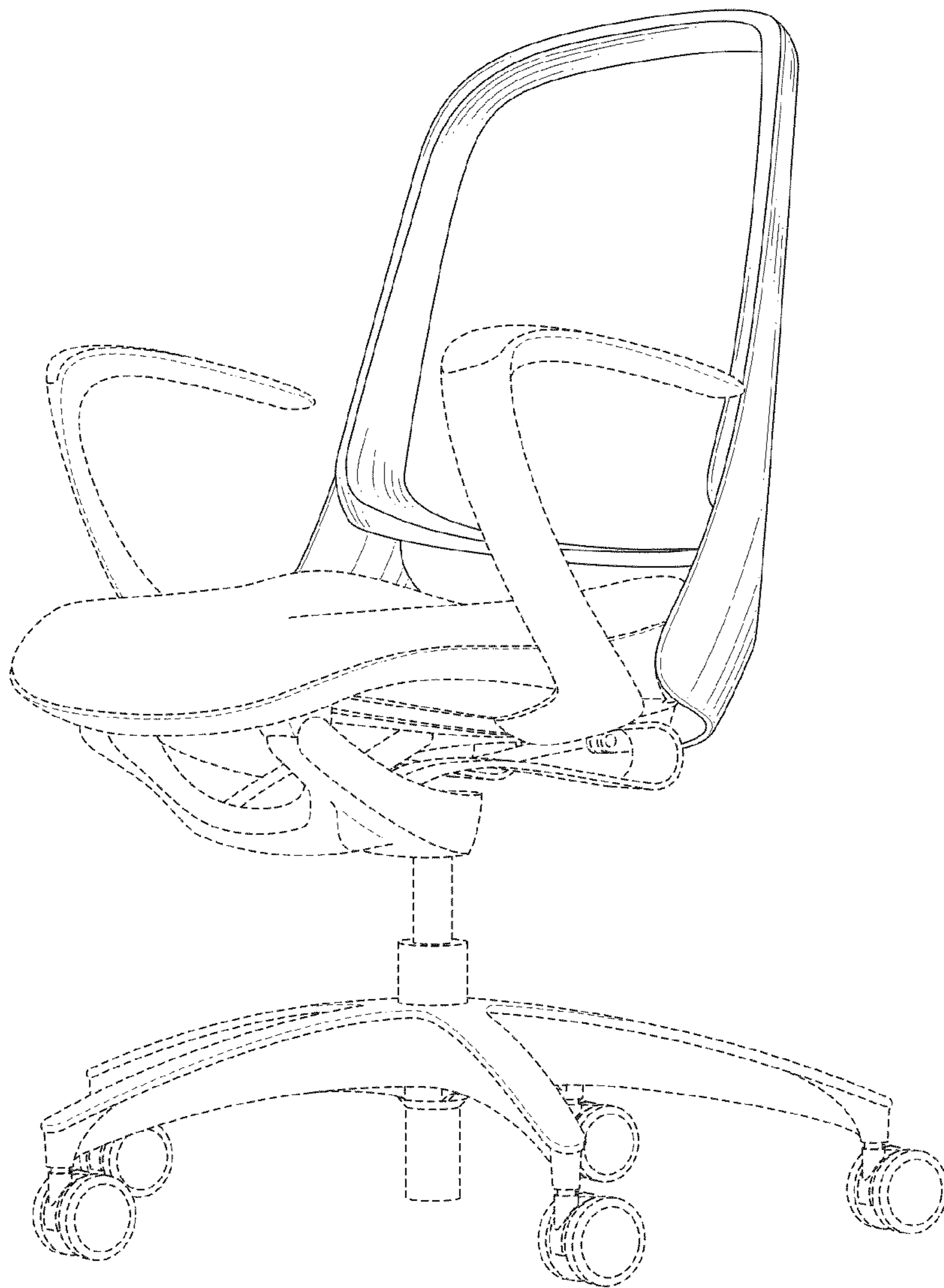
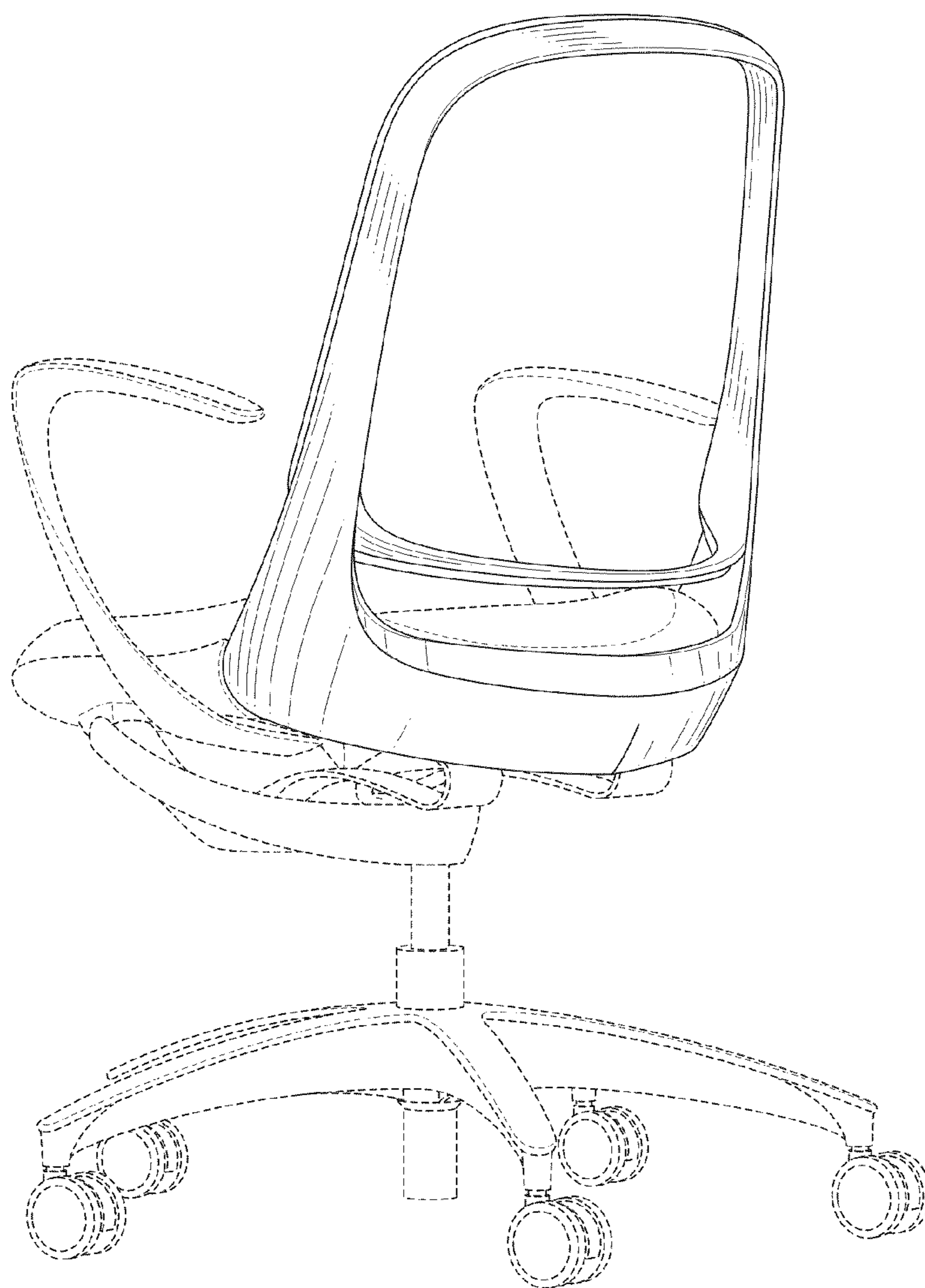


FIG. 9



UNITED STATES PATENT AND TRADEMARK OFFICE
CERTIFICATE OF CORRECTION

PATENT NO. : D641,576 S
APPLICATION NO. : 29/379198
DATED : July 19, 2011
INVENTOR(S) : Giugiaro

Page 1 of 11

It is certified that error appears in the above-identified patent and that said Letters Patent is hereby corrected as shown below:

The Title Page and Sheets 1 through 9 should be deleted and replaced with the attached Title Page and sheets 1 through 9.

Signed and Sealed this
First Day of November, 2011

A handwritten signature in black ink that reads "David J. Kappos". The signature is written in a cursive, slightly slanted style.

David J. Kappos
Director of the United States Patent and Trademark Office

(12) **United States Design Patent**
Giugiaro

(10) **Patent No.:** **US D641,576 S**
(45) **Date of Patent:** **** Jul. 19, 2011**

(54) **CHAIR**

(75) Inventor: **Fabrizio Giugiaro, Turin (IT)**

(73) Assignee: **Okamura Corporation, Kanagawa (JP)**

(**) Term: **14 Years**

(21) Appl. No.: **29/379,198**

(22) Filed: **Nov. 16, 2010**

(30) **Foreign Application Priority Data**

May 17, 2010 (JP) 2010-012085

(51) **LOC (9) Cl.** **06-01**

(52) **U.S. Cl.** **D6/502; D6/366**

(58) **Field of Classification Search** D6/334-336,
D6/360-369, 373-374, 379-380, 498, 500-502,
D6/601; 297/284.1-284.5, 291, 297, 303.1,
297/411.2, 411.27-411.29, 452.13, 452.19,
297/452.21, 452.29, 452.3, 452.56, 452.63
See application file for complete search history.

(56) **References Cited**

U.S. PATENT DOCUMENTS

D320,507 S * 10/1991 Shields D6/366
D403,518 S * 1/1999 Wilson D6/366
D403,520 S * 1/1999 Wilson D6/366
D435,747 S * 1/2001 Ho-Tsai et al. D6/501
D438,733 S * 3/2001 Jenkins et al. D6/502
6,669,301 B1 * 12/2003 Funk et al. 297/452.63
D543,388 S * 5/2007 Machael et al. D6/501

7,216,933 B2 * 5/2007 Schmidt et al. 297/284.4
D550,467 S * 9/2007 Koepke et al. D6/366
D568,074 S * 5/2008 Koepke et al. D6/501
D602,289 S * 10/2009 Mezzera D6/501
D616,655 S * 6/2010 Igarashi D6/366
2011/0031793 A1 * 2/2011 Machael et al. 297/303.1
* cited by examiner

Primary Examiner — Ricky Pham

(74) *Attorney, Agent, or Firm* — Sughrue Mion, P.L.L.C.

(57) **CLAIM**

The ornamental design for a chair, as shown and described.

DESCRIPTION

FIG. 1 is a perspective view from the front side of a chair.
FIG. 2 is a perspective view from the rear side thereof.
FIG. 3 is a front elevation view thereof.
FIG. 4 is a rear elevation view thereof.
FIG. 5 is a right side elevation view thereof. A left side elevation view is omitted because it is a mirror image to the right side elevation view.
FIG. 6 is a top plan view thereof.
FIG. 7 is a bottom plan view thereof.
FIG. 8 is a perspective view from the front side thereof when it is sat on; and,
FIG. 9 is a perspective view from the rear side thereof when it is sat on.
The portions of the chair shown in broken lines is for the purpose of showing environmental structure only and form no part of the claimed design. The backrest sheet has a mesh pattern and this backrest sheet forms no part of the claimed design.

1 Claim, 9 Drawing Sheets

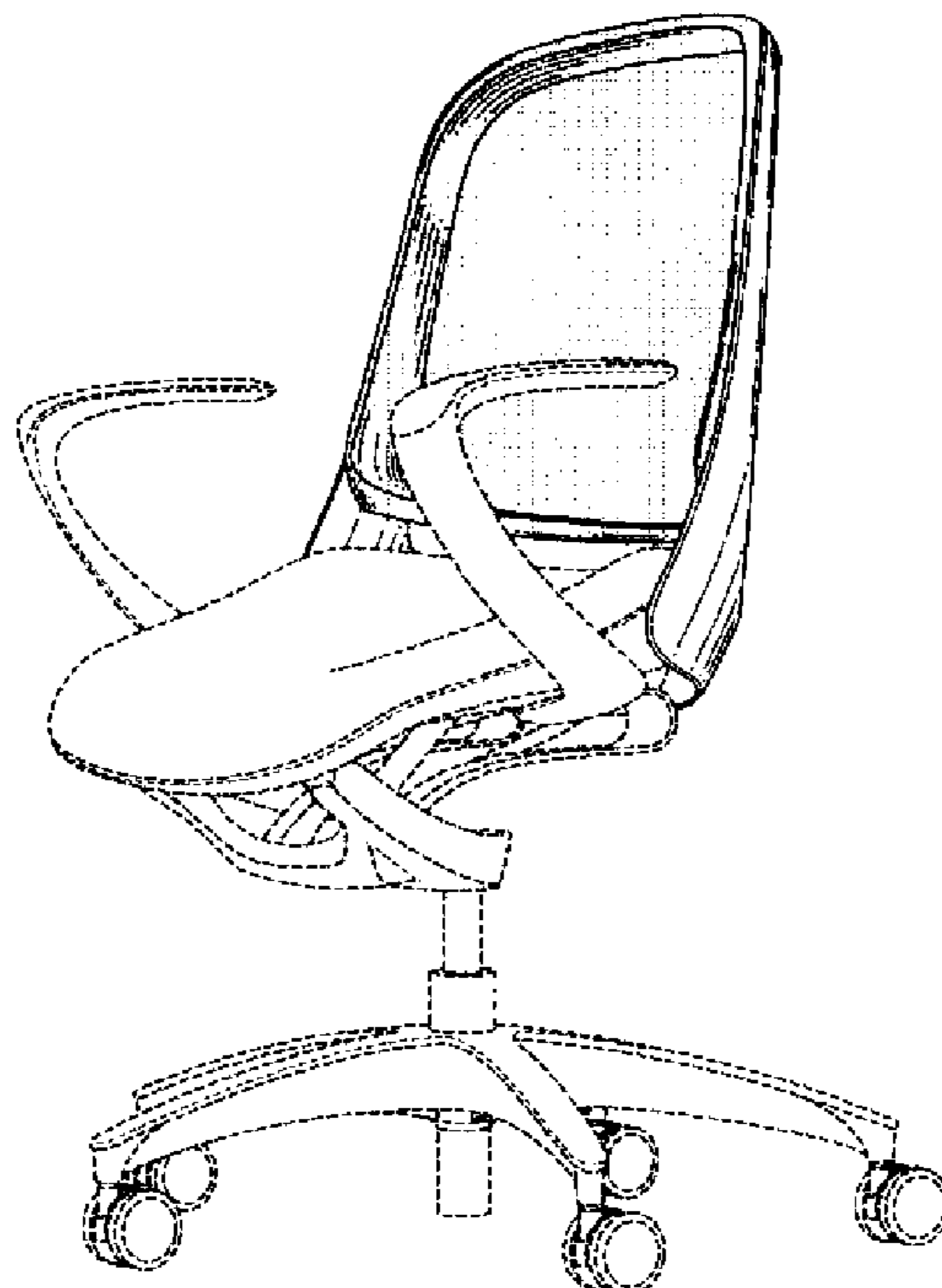


FIG. 1

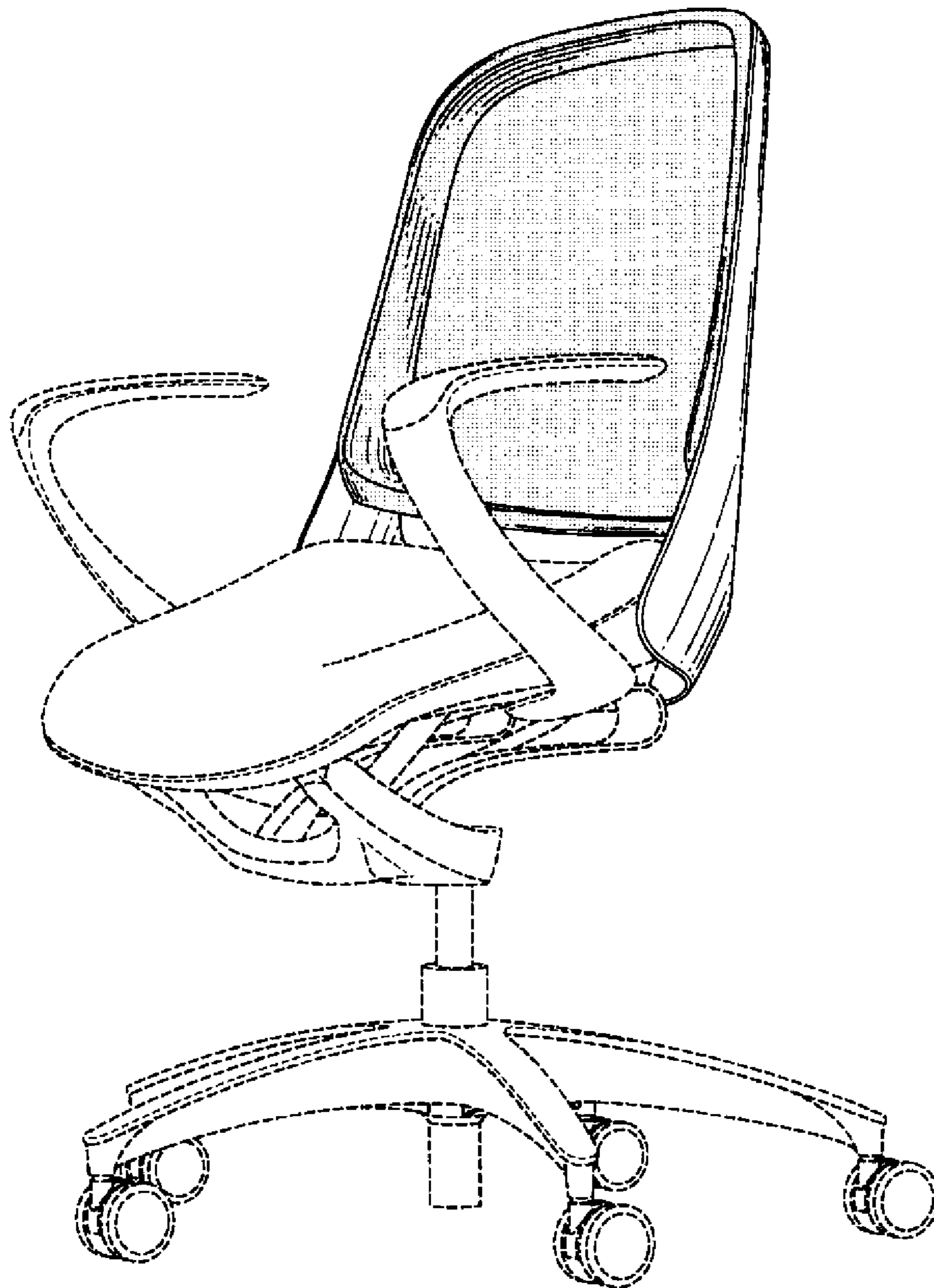


FIG. 2

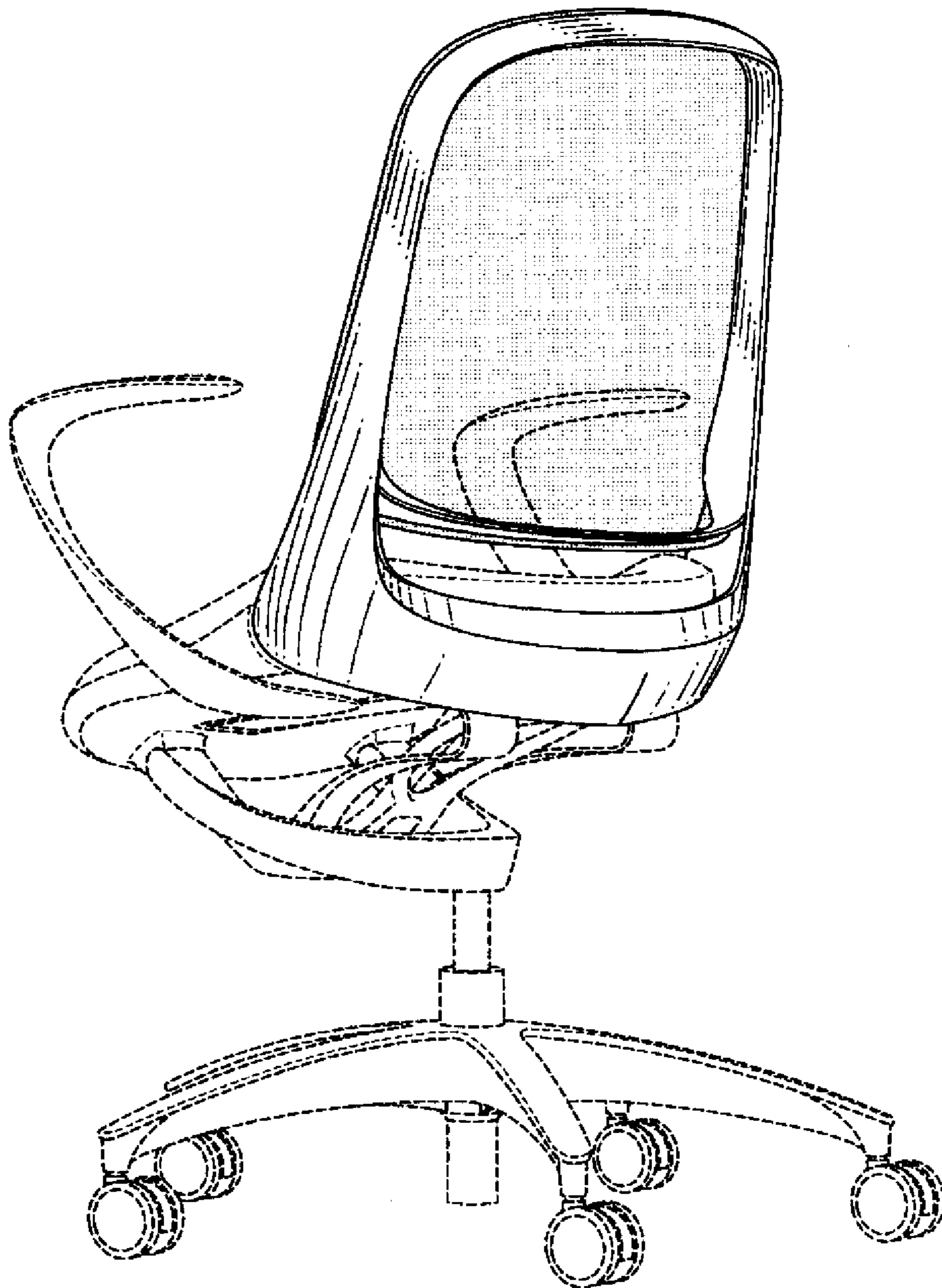


FIG. 3

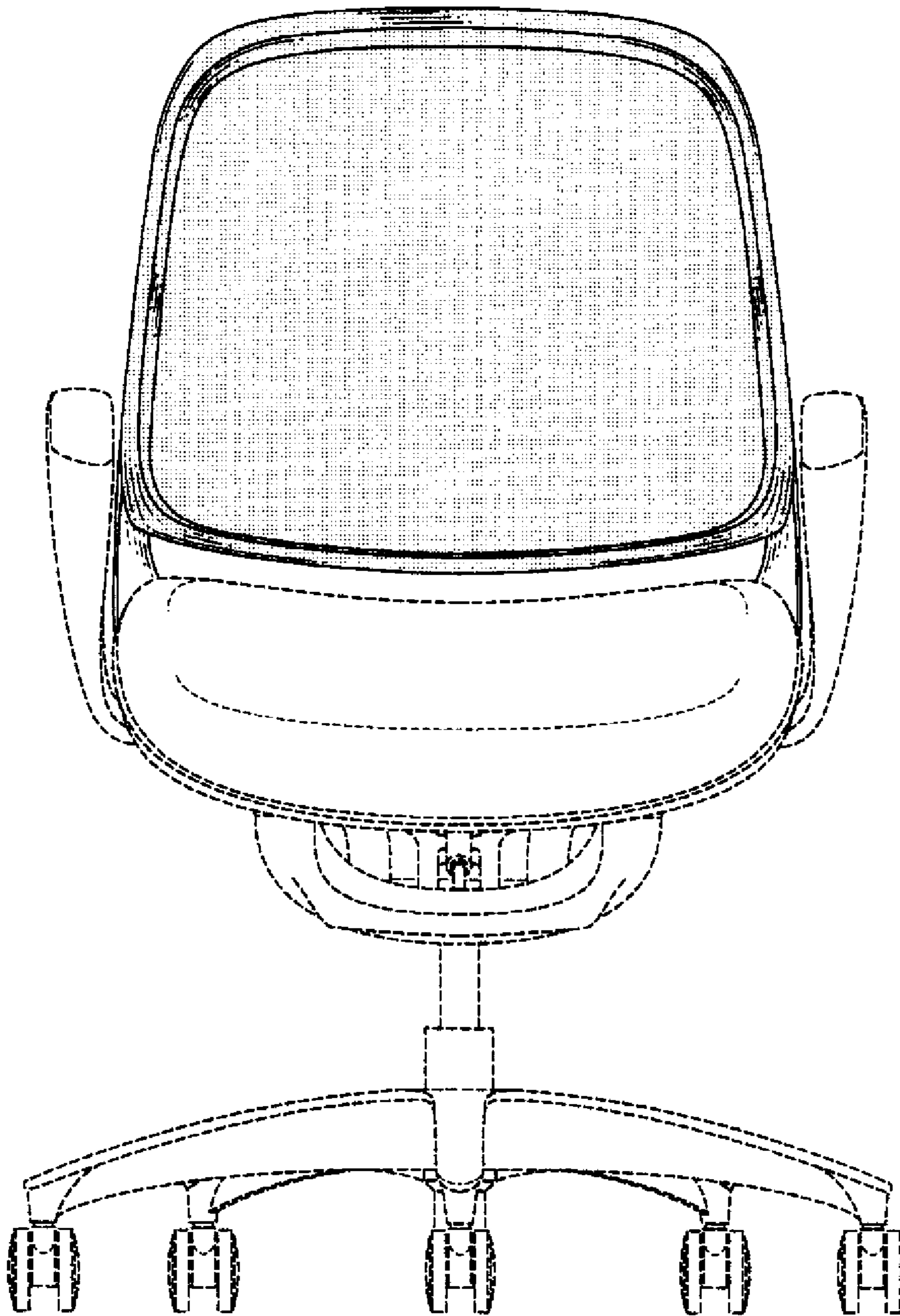


FIG. 4

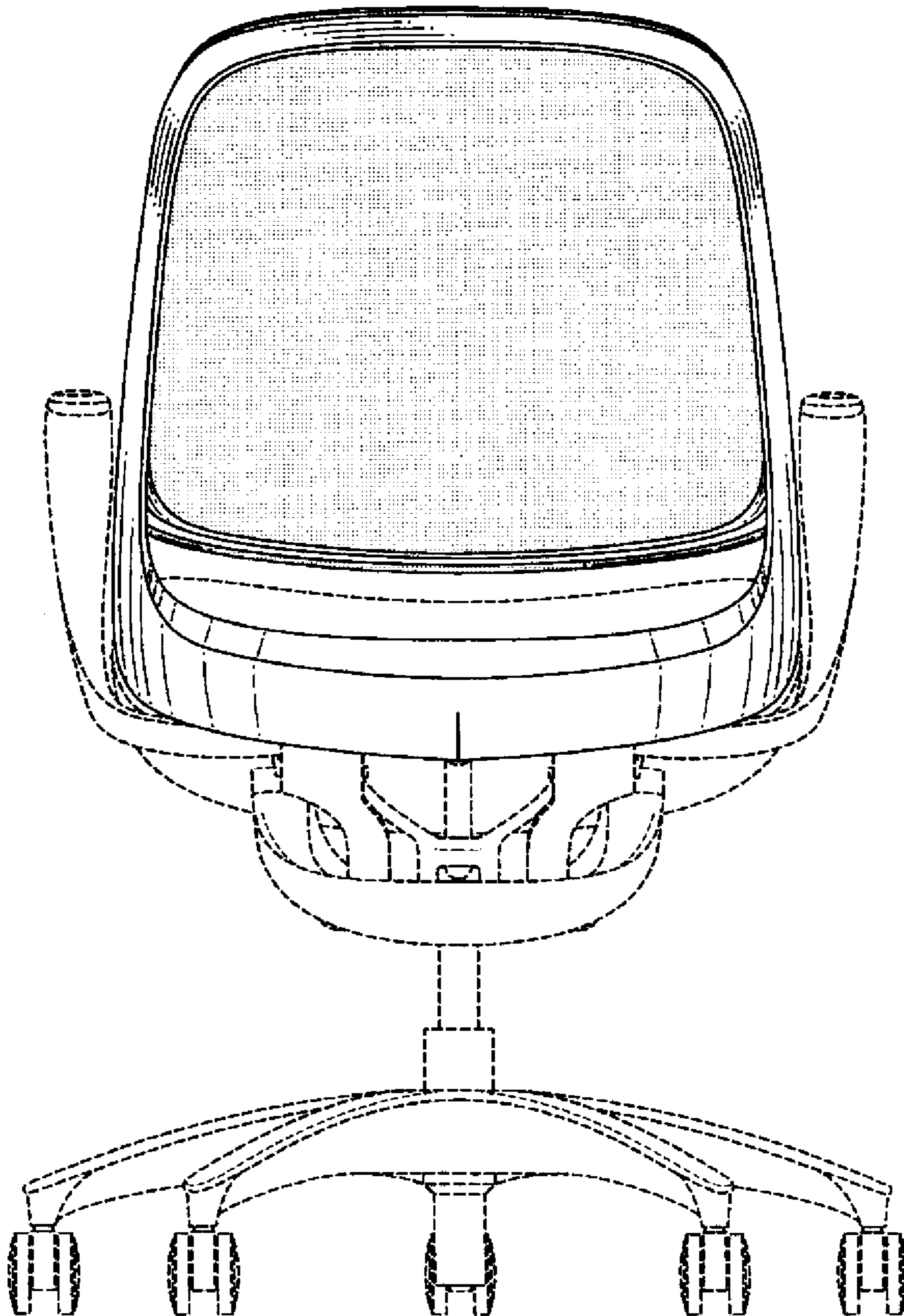


FIG. 5

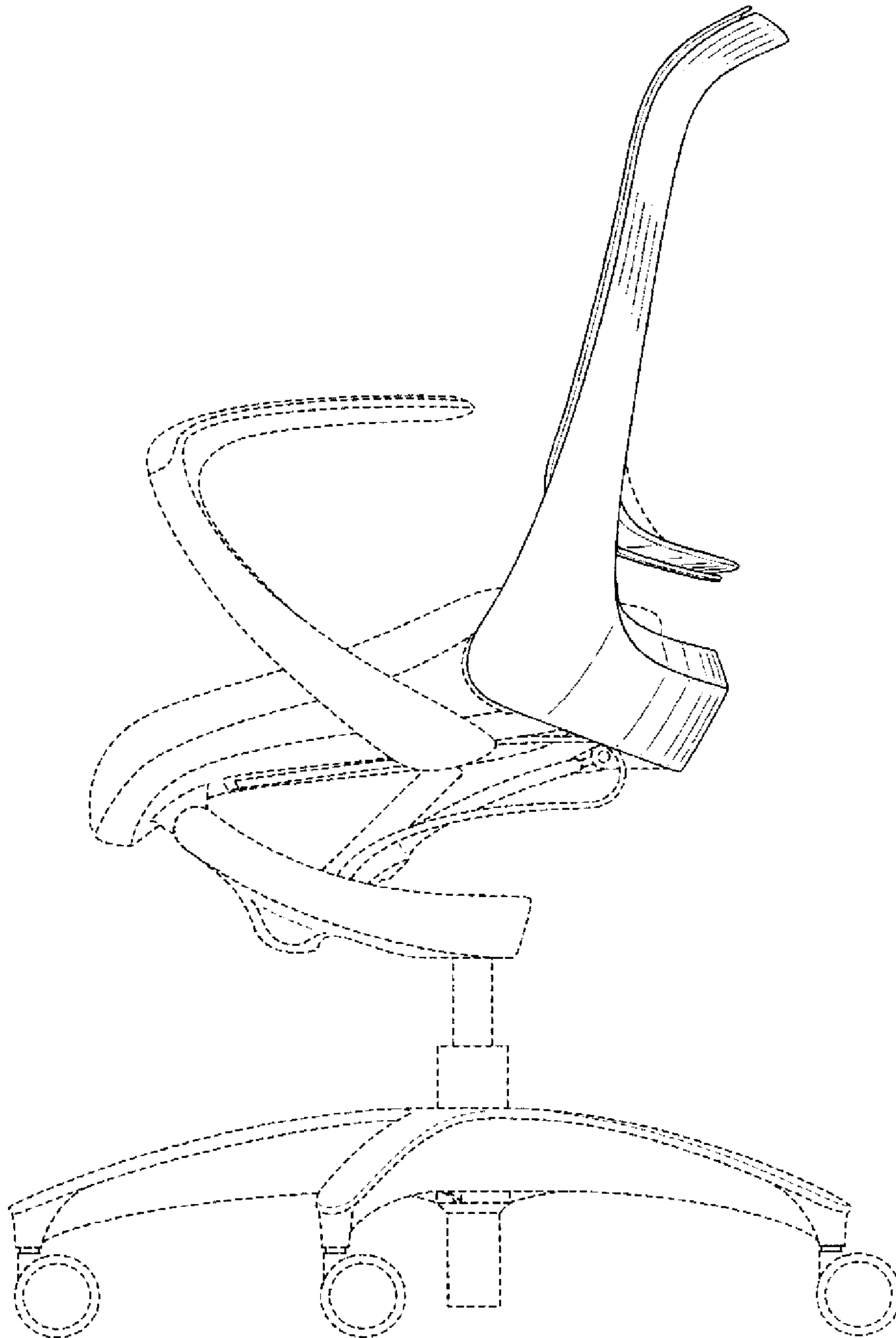


FIG. 6

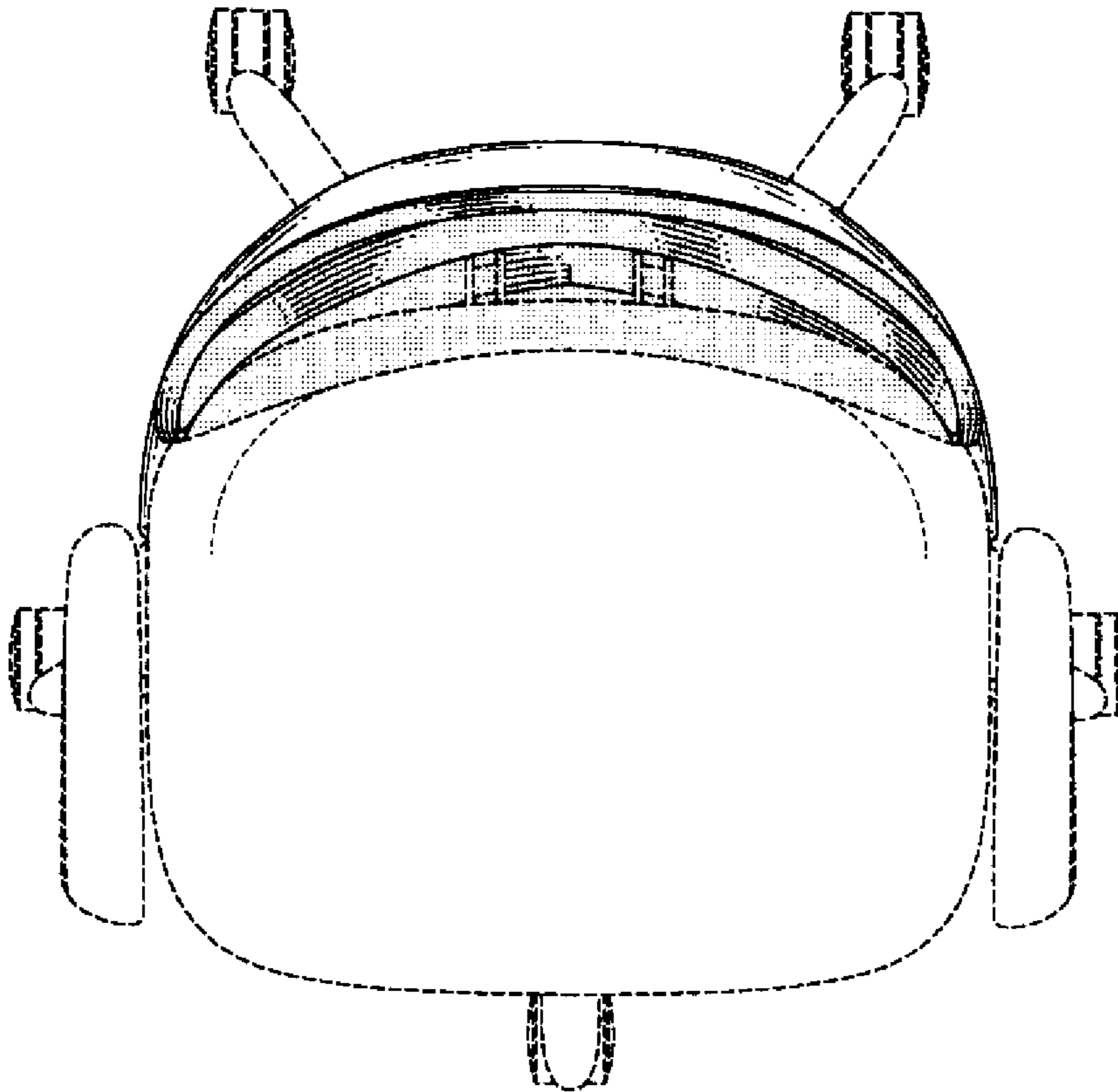


FIG. 7

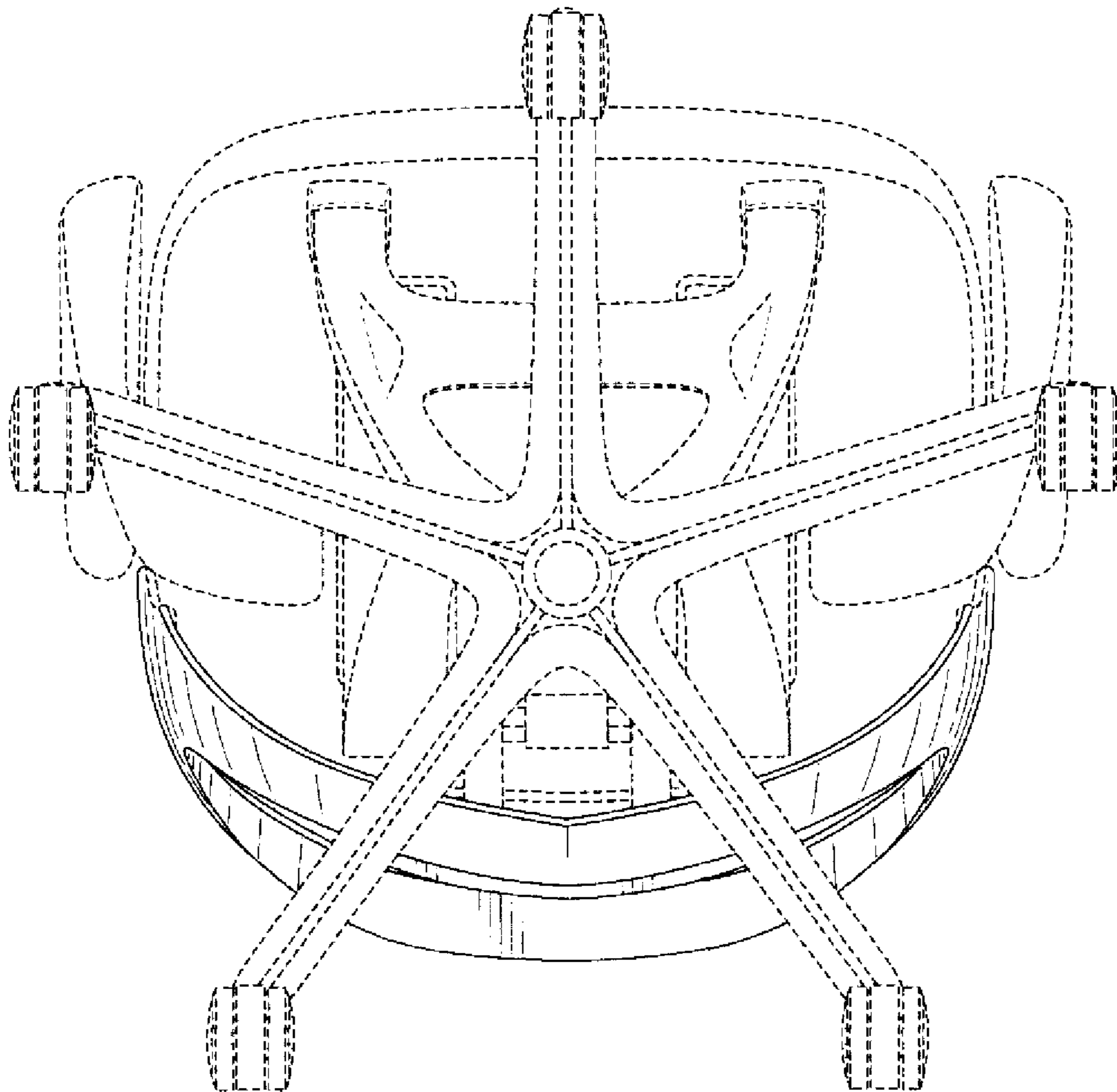


FIG. 8

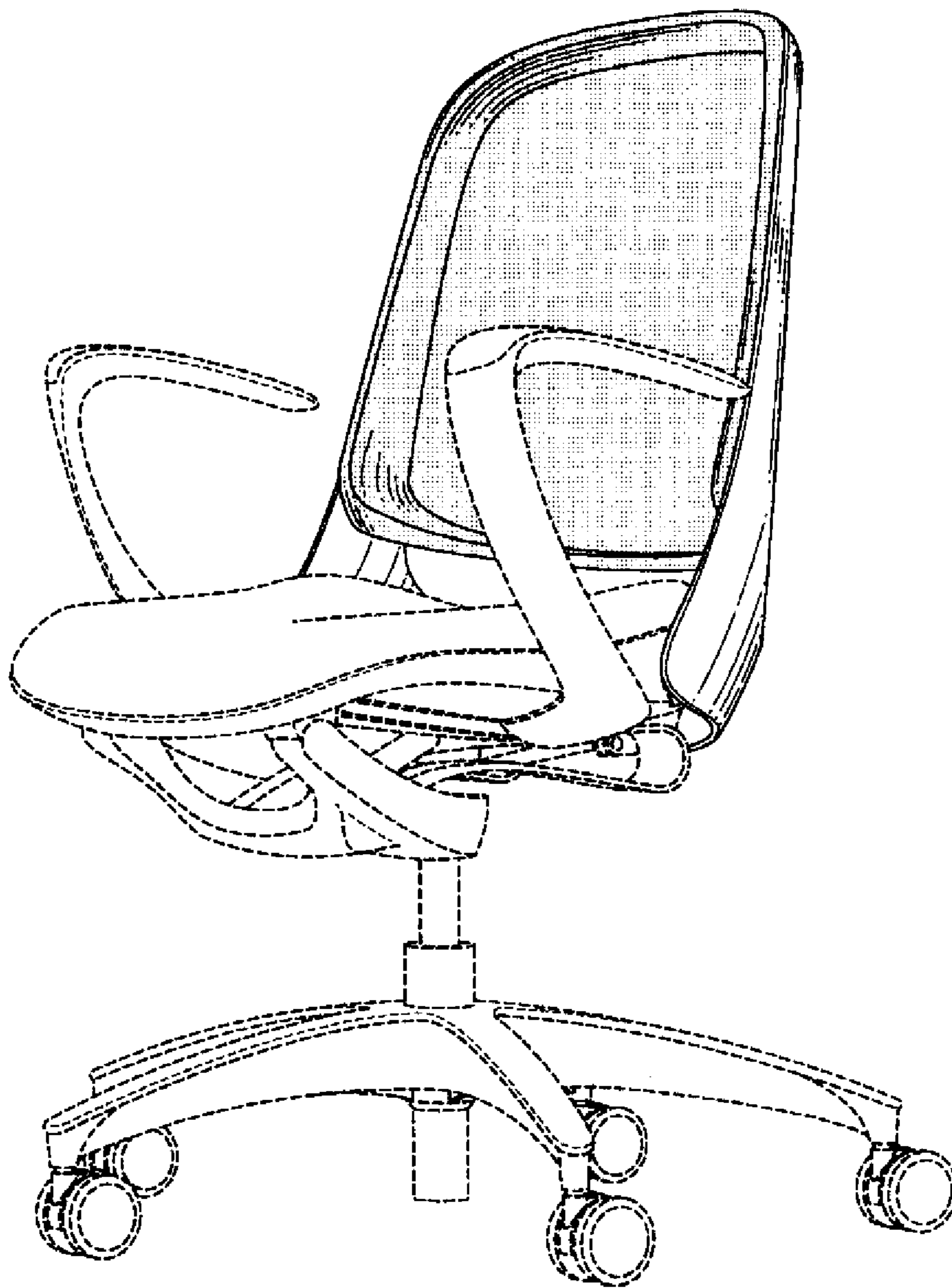


FIG. 9

