



US00D641573S

(12) **United States Design Patent**
Tsai

(10) **Patent No.:** **US D641,573 S**
(45) **Date of Patent:** **** Jul. 19, 2011**

(54) **CHAIR BACK FRAME**

(75) Inventor: **Hsuan-Chin Tsai**, Chai-Yi Hsien (TW)

(73) Assignee: **Fuh Shyan Co., Ltd.**, Chai-Yi Hsien (TW)

(**) Term: **14 Years**

(21) Appl. No.: **29/361,289**

(22) Filed: **May 10, 2010**

(51) **LOC (9) Cl.** **06-01**

(52) **U.S. Cl.** **D6/502**

(58) **Field of Classification Search** D6/334–336,
D6/364, 365, 366, 367, 369, 374, 379, 380,
D6/500–502; 297/300.2, 284.4, 284.7, 452.18,
297/452.29, 452.3, 452.56, 452.64

See application file for complete search history.

(56) **References Cited**

U.S. PATENT DOCUMENTS

D446,397	S	*	8/2001	Pennington et al.	D6/366
D493,626	S	*	8/2004	James	D6/366
6,874,852	B2	*	4/2005	Footitt	297/284.4
D505,798	S	*	6/2005	Seiler	D6/366
6,910,741	B2	*	6/2005	Footitt	297/452.29

D534,384	S	*	1/2007	Su	D6/502
D540,079	S	*	4/2007	Bock	D6/502
D540,580	S	*	4/2007	Su	D6/502
D541,062	S	*	4/2007	Su	D6/366
D543,398	S	*	5/2007	Su	D6/502
D582,170	S	*	12/2008	Chi	D6/366

* cited by examiner

Primary Examiner — Mimoso De

(74) *Attorney, Agent, or Firm* — Alan Kamrath; Kamrath & Associates PA

(57) **CLAIM**

The ornamental design for a chair back frame, as shown and described.

DESCRIPTION

FIG. 1 is a perspective view of an applicator, showing my new design;

FIG. 2 is a front elevational view thereof;

FIG. 3 is a rear elevational view thereof;

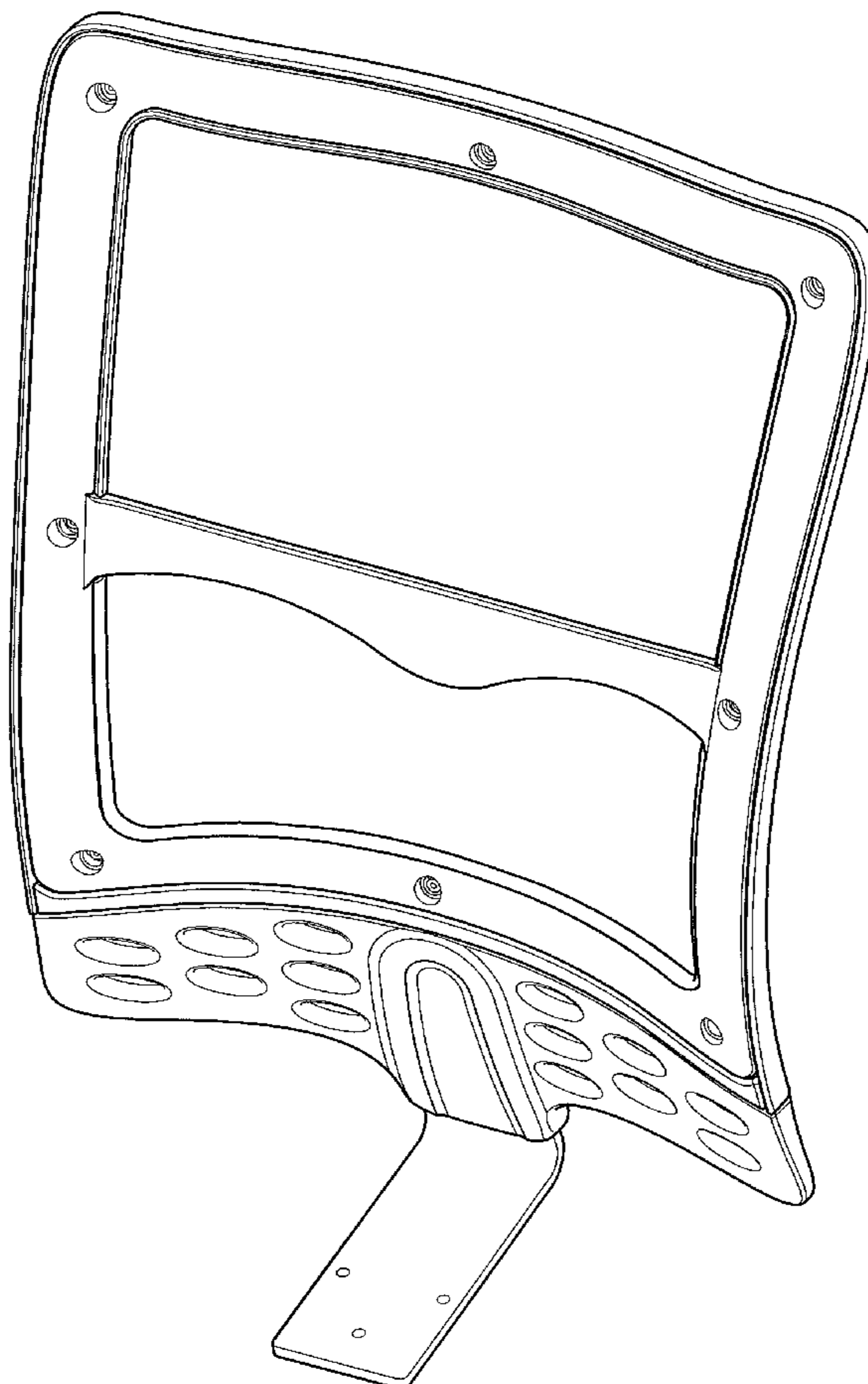
FIG. 4 is a left side view thereof;

FIG. 5 is a right side view thereof;

FIG. 6 is a top plan view thereof; and,

FIG. 7 is a bottom plan view thereof.

1 Claim, 5 Drawing Sheets



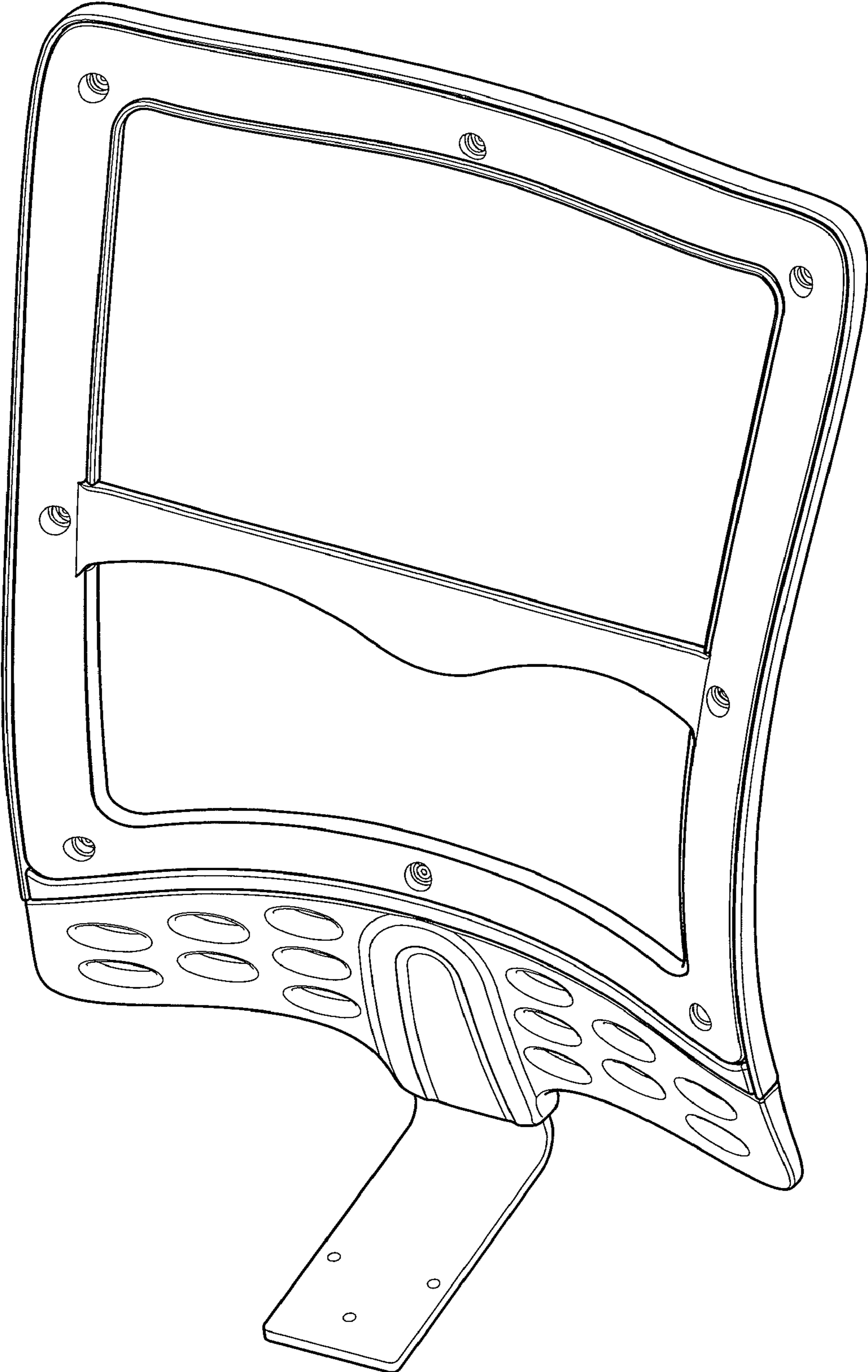


FIG. 1

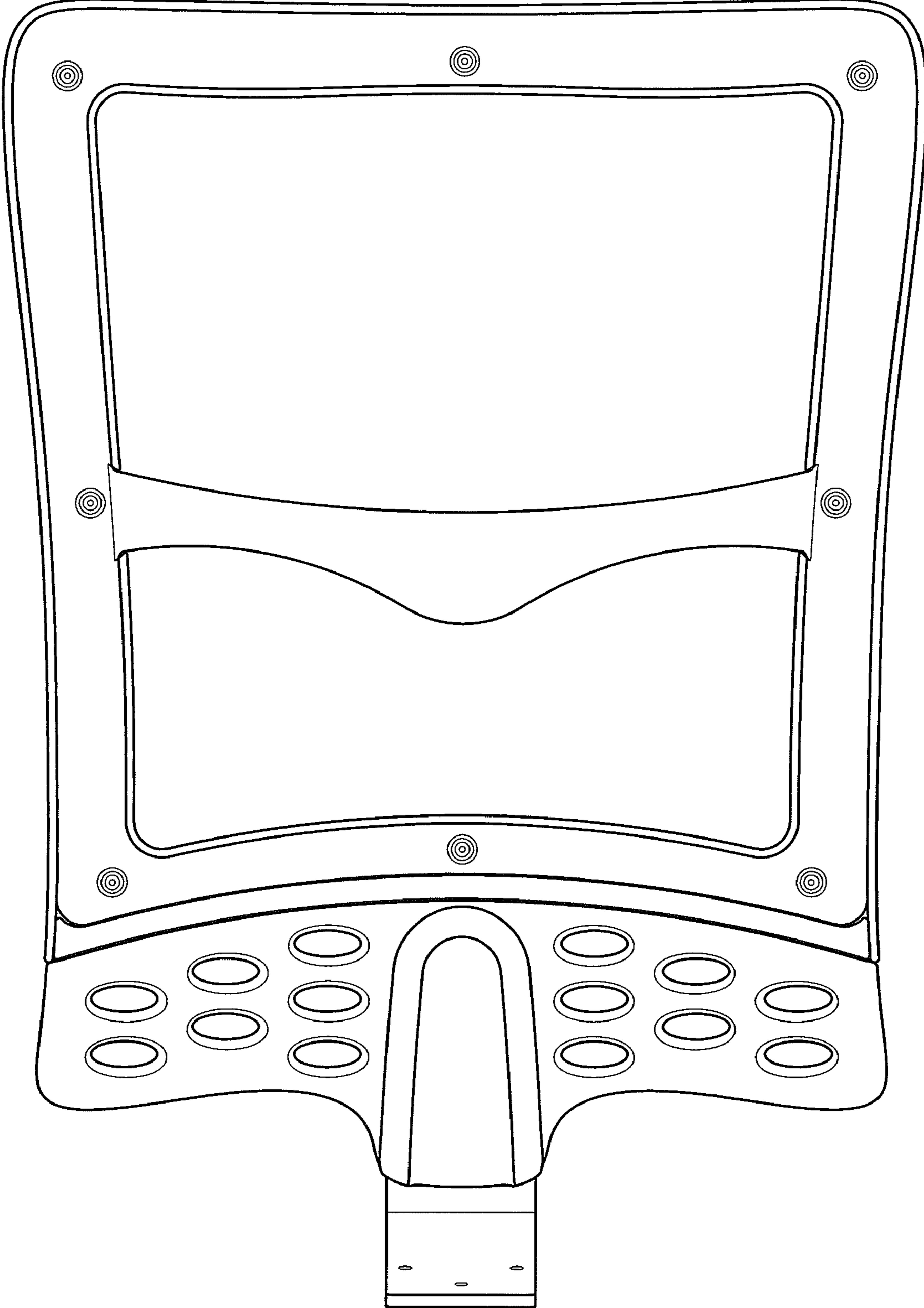


FIG. 2

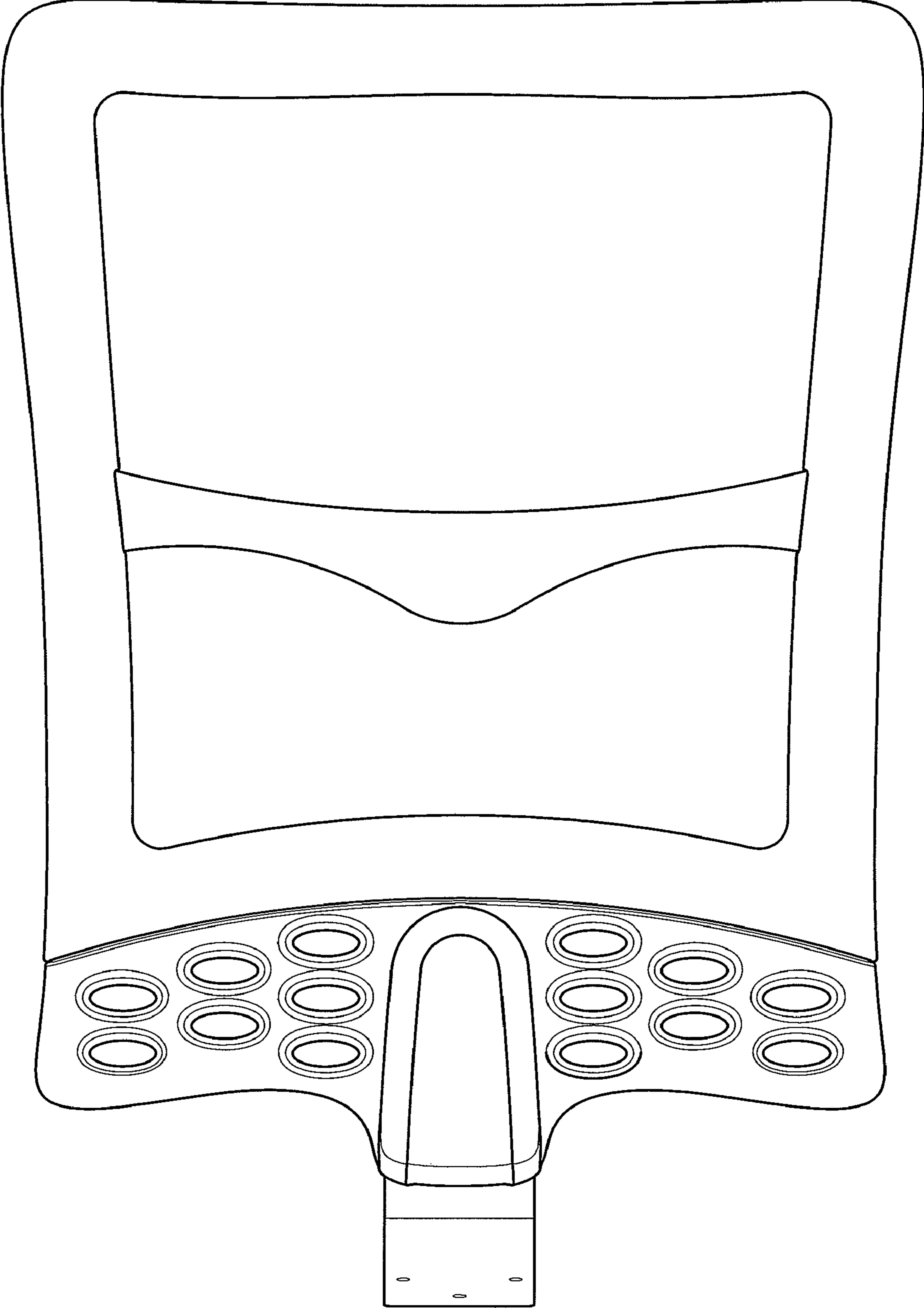


FIG. 3

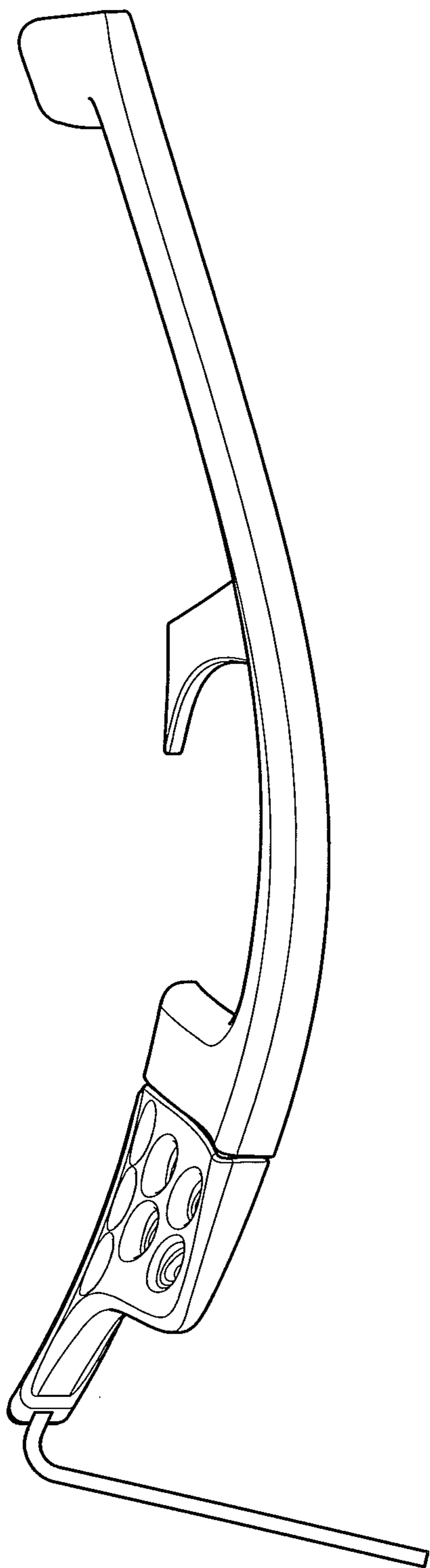


FIG. 4

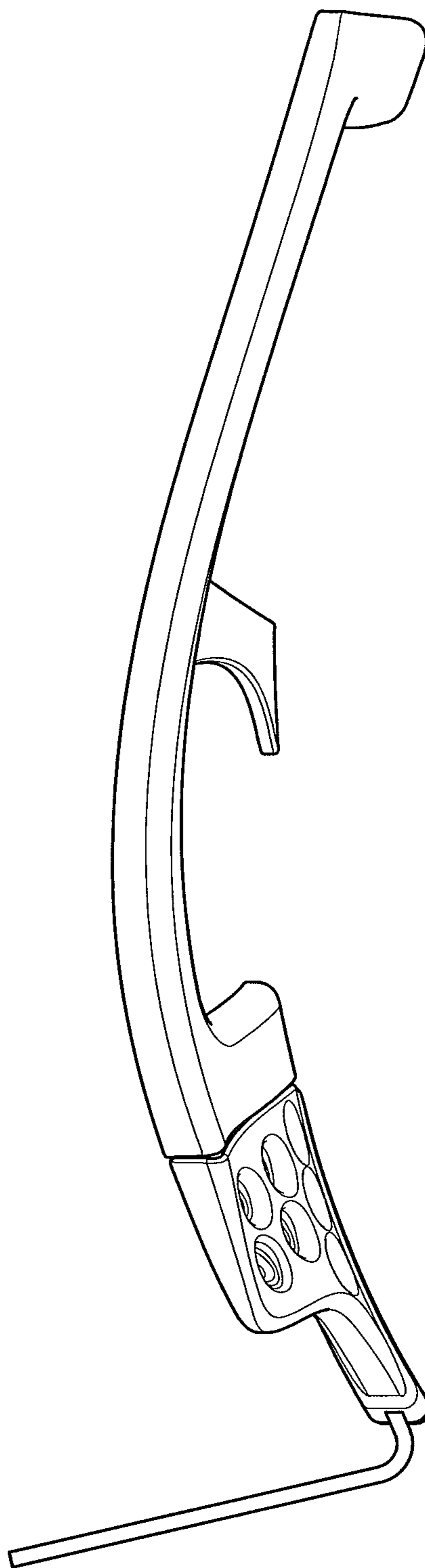


FIG. 5

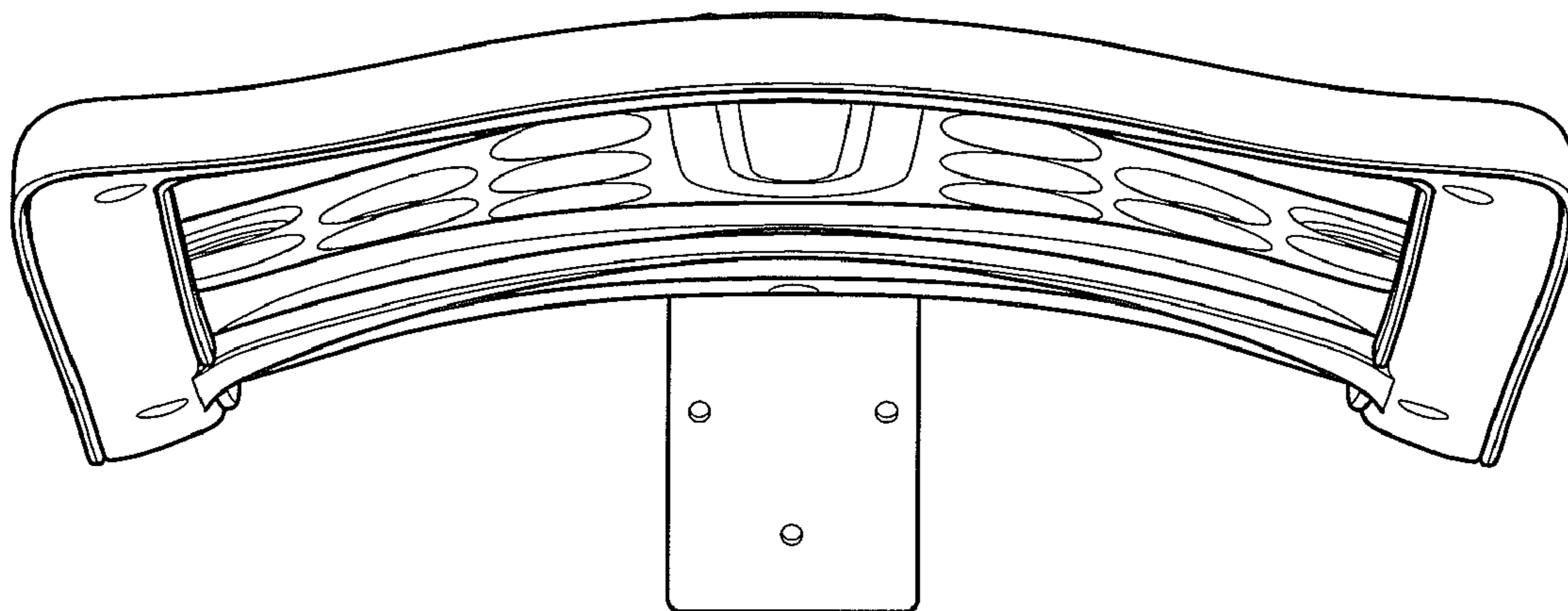


FIG. 6

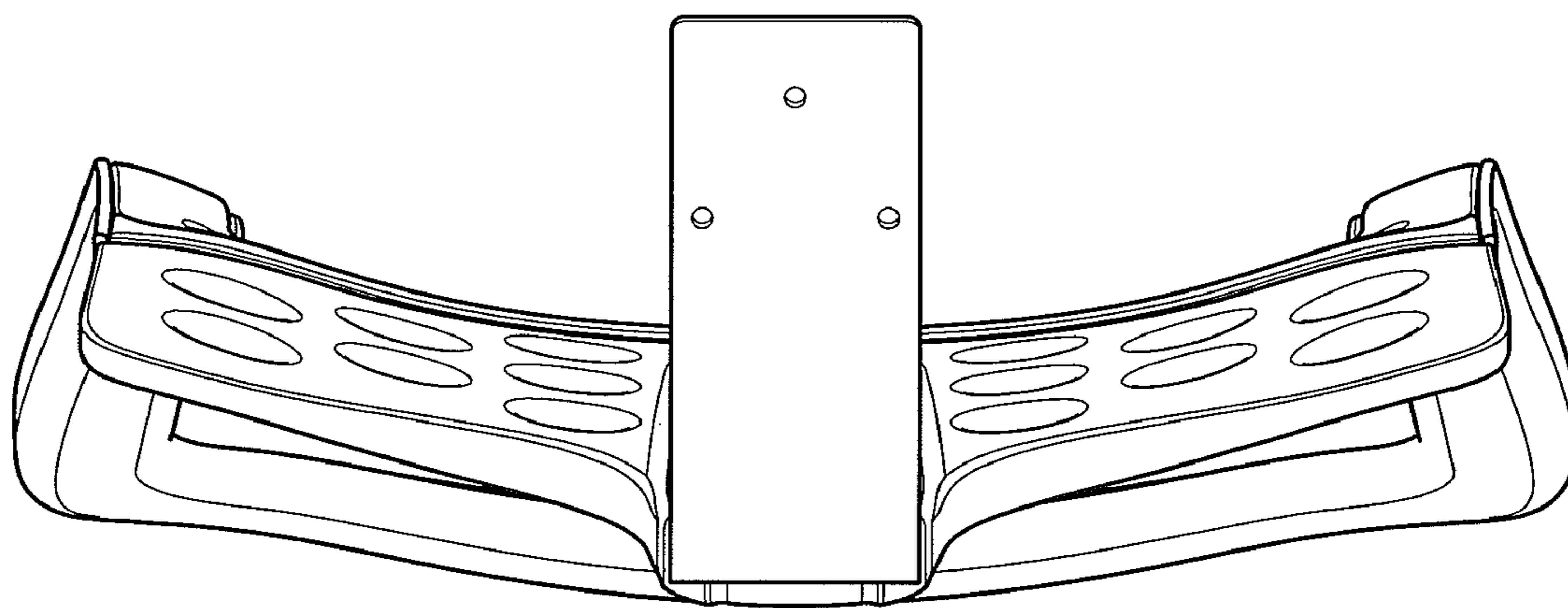


FIG. 7