



US00D641572S

(12) **United States Design Patent**
Tsai

(10) **Patent No.:** **US D641,572 S**
(45) **Date of Patent:** **** Jul. 19, 2011**

(54) **CHAIR BACK FRAME**
(75) Inventor: **Hsuan-Chin Tsai**, Chai-Yi Hsien (TW)
(73) Assignee: **Fuh Shyan Co., Ltd.**, Chai-Yi Hsien (TW)
(**) Term: **14 Years**
(21) Appl. No.: **29/354,957**

D510,826 S * 10/2005 Pan D6/502
D543,717 S * 6/2007 Chen D6/366
D546,086 S * 7/2007 Chen D6/366
D557,024 S * 12/2007 Chen D6/366
7,303,232 B1 * 12/2007 Chen 297/284.7
D558,492 S * 1/2008 Lu D6/500
D568,624 S * 5/2008 Wen D6/366
D576,416 S * 9/2008 Su D6/366
D585,205 S * 1/2009 Wen D6/366
D591,540 S * 5/2009 Lu D6/500
D610,822 S * 3/2010 Chen D6/366

* cited by examiner

(22) Filed: **Feb. 1, 2010**
(51) **LOC (9) Cl.** **06-01**
(52) **U.S. Cl.** **D6/502**
(58) **Field of Classification Search** D6/334-336,
D6/364, 365, 366, 367, 369, 374, 379, 380,
D6/500-502; 297/284.4, 284.7, 393, 396,
297/452.18, 452.29, 452.3, 452.56, 452.64
See application file for complete search history.

Primary Examiner — Mimoso De
(74) *Attorney, Agent, or Firm* — Alan Kamrath; Kamrath & Associates PA

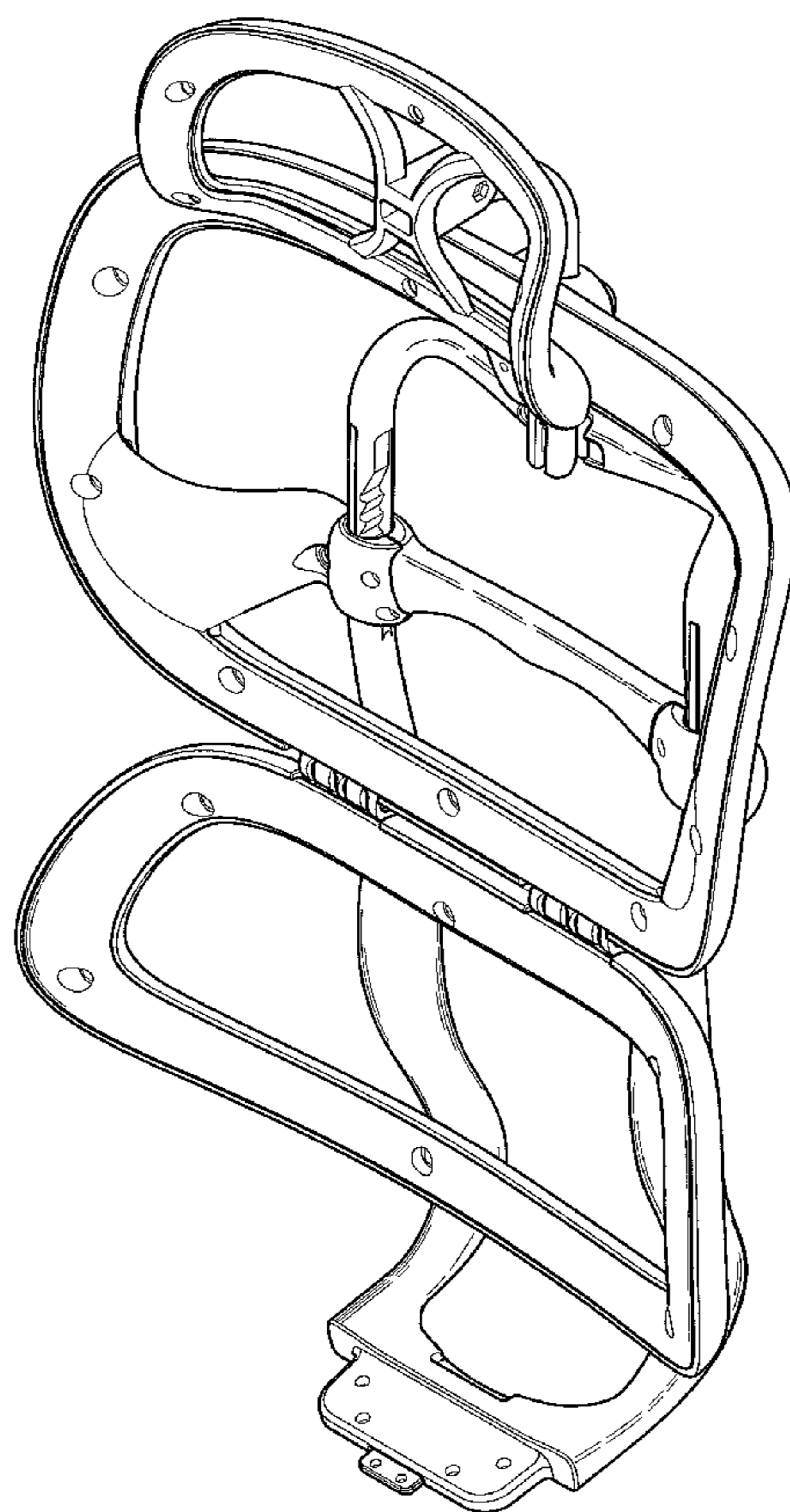
(57) **CLAIM**
The ornamental design for a chair back frame, as shown and described.

DESCRIPTION

(56) **References Cited**
U.S. PATENT DOCUMENTS
6,843,530 B1 * 1/2005 Wu 297/284.4
D501,333 S * 2/2005 Piretti D6/366
D507,910 S * 8/2005 Bock D6/501
D509,975 S * 9/2005 Pan D6/502
6,938,956 B1 * 9/2005 Piretti 297/284.7
6,945,601 B1 * 9/2005 Wu 297/284.4
D510,671 S * 10/2005 Wu D6/502

FIG. 1 is a perspective view of a chair back frame, showing my new design;
FIG. 2 is a front elevational view thereof;
FIG. 3 is a rear elevational view thereof;
FIG. 4 is a left side view thereof;
FIG. 5 is a right side view thereof;
FIG. 6 is a top plan view thereof; and,
FIG. 7 is a bottom plan view thereof.

1 Claim, 5 Drawing Sheets



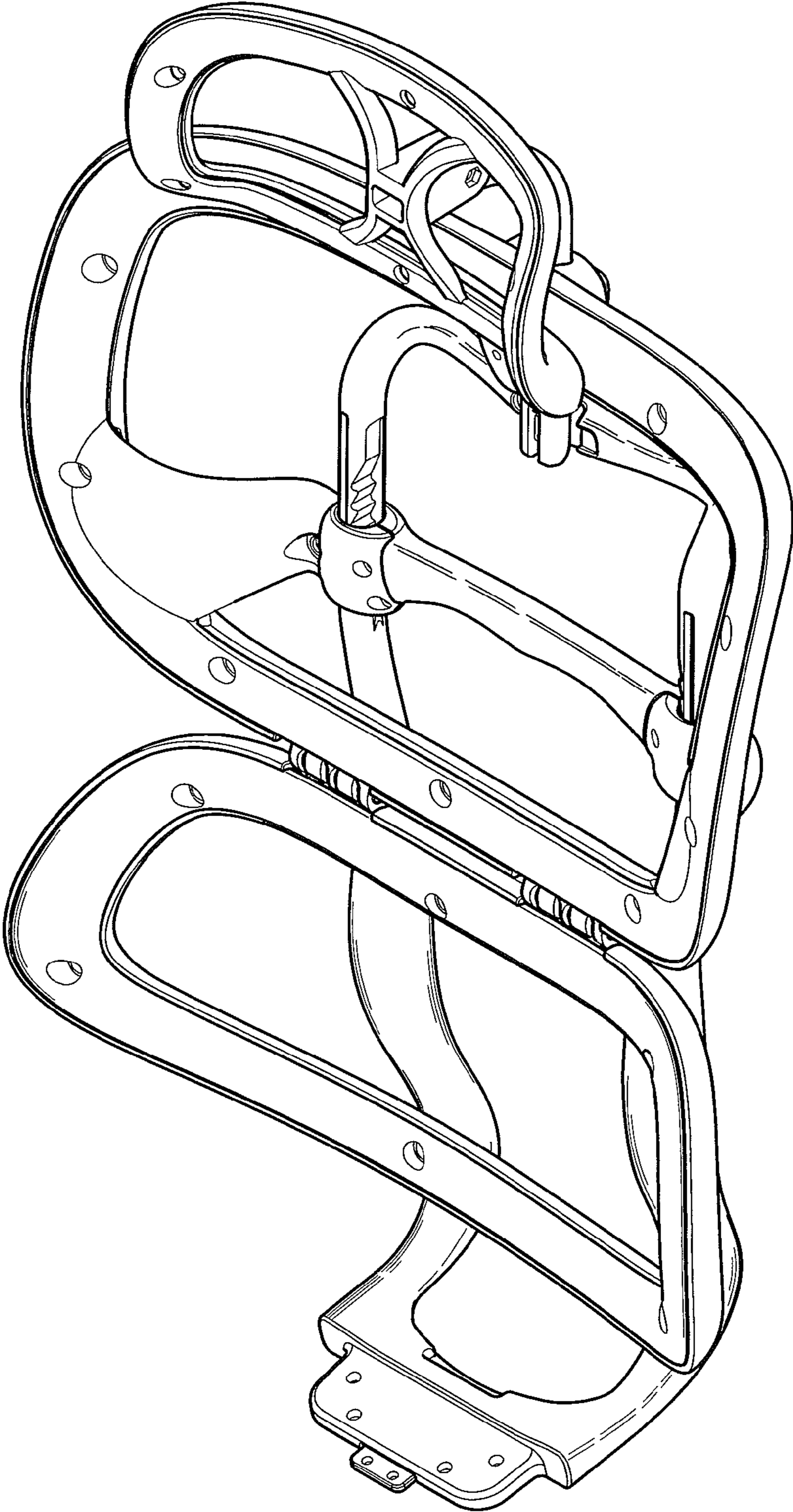


Fig. 1

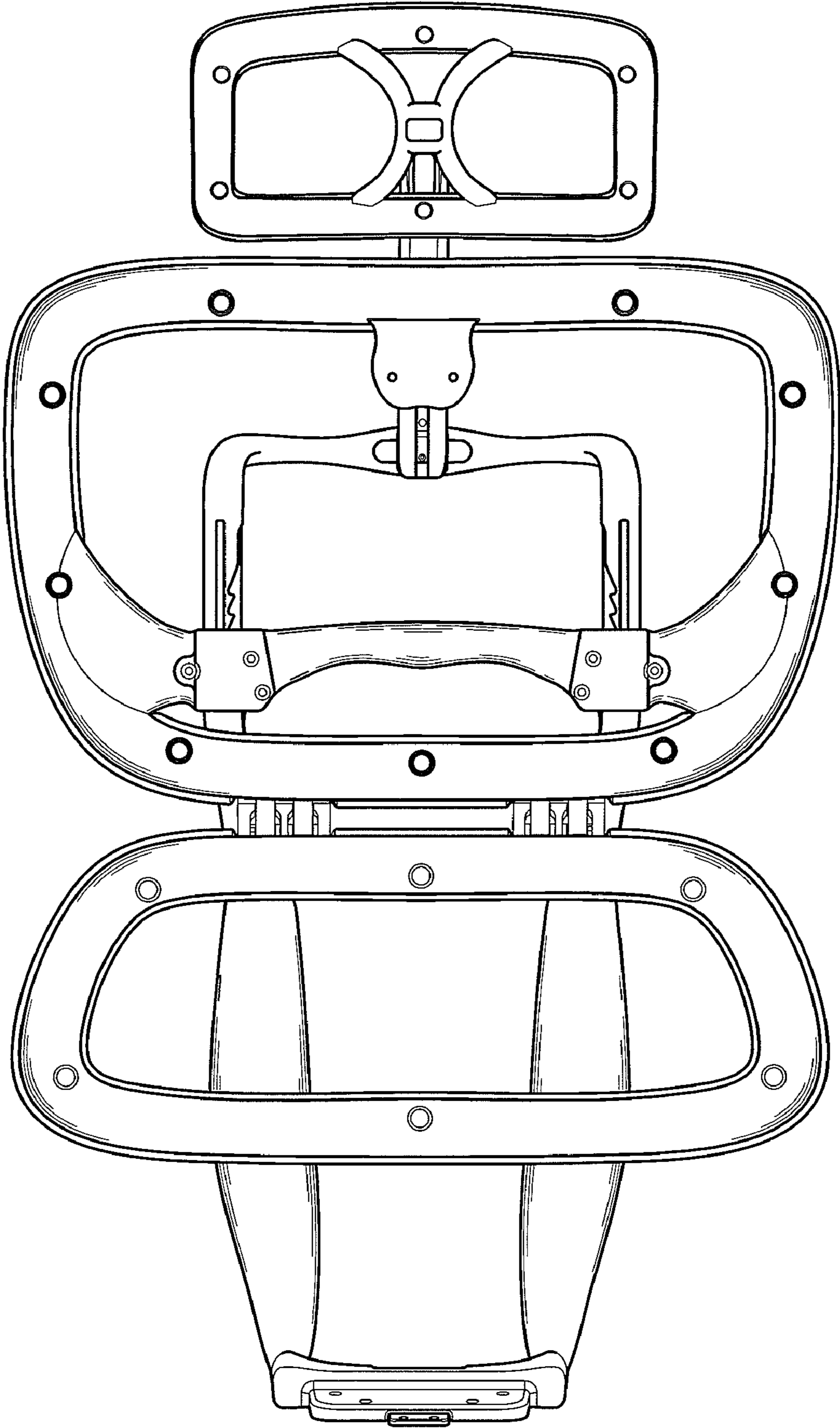


Fig. 2

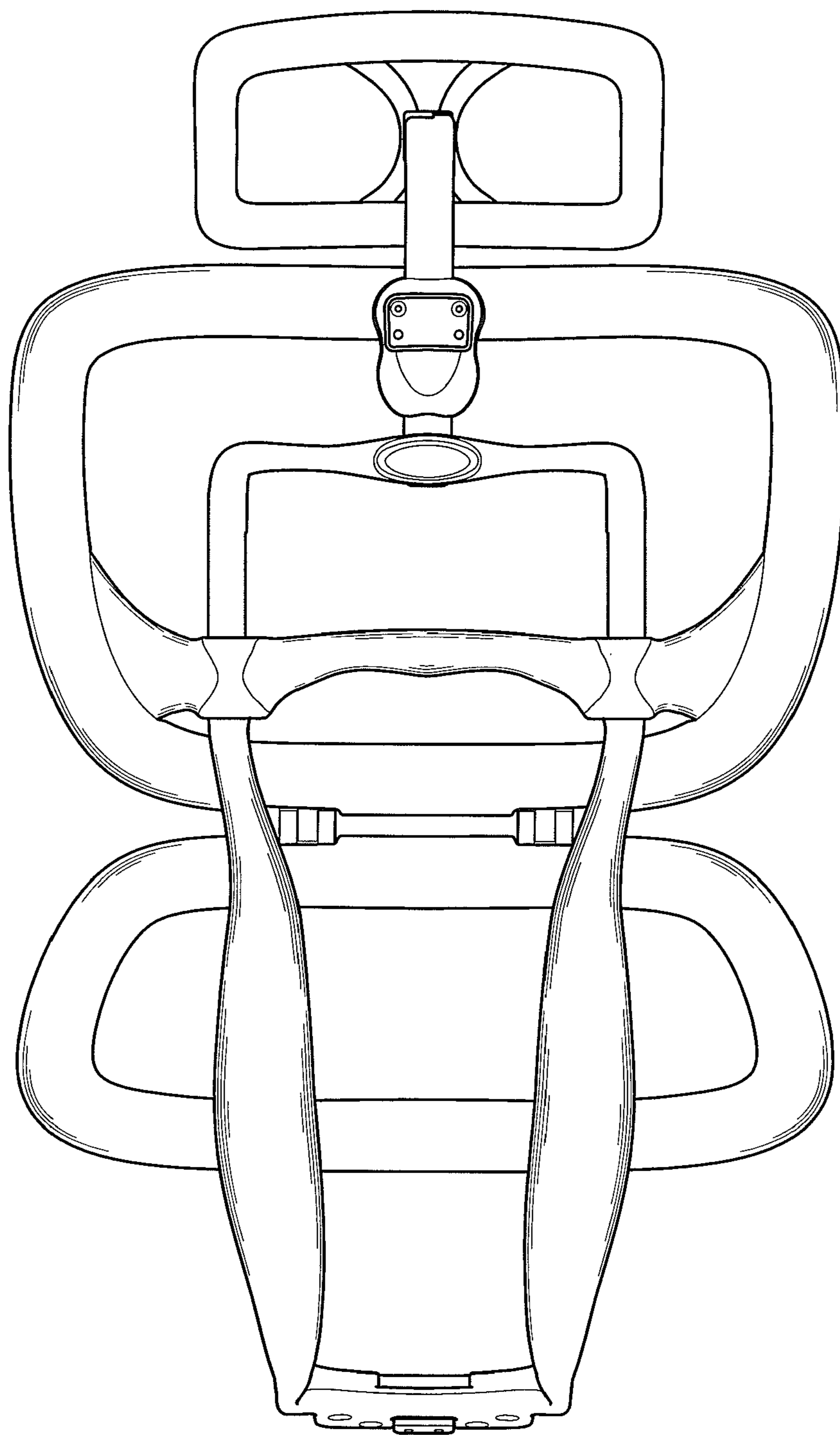


Fig. 3

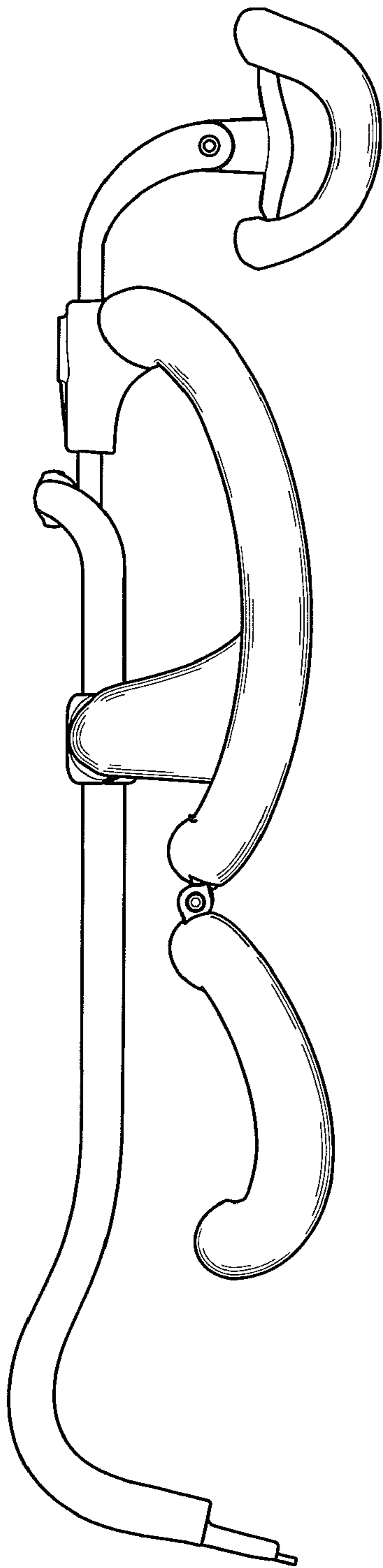


Fig. 4

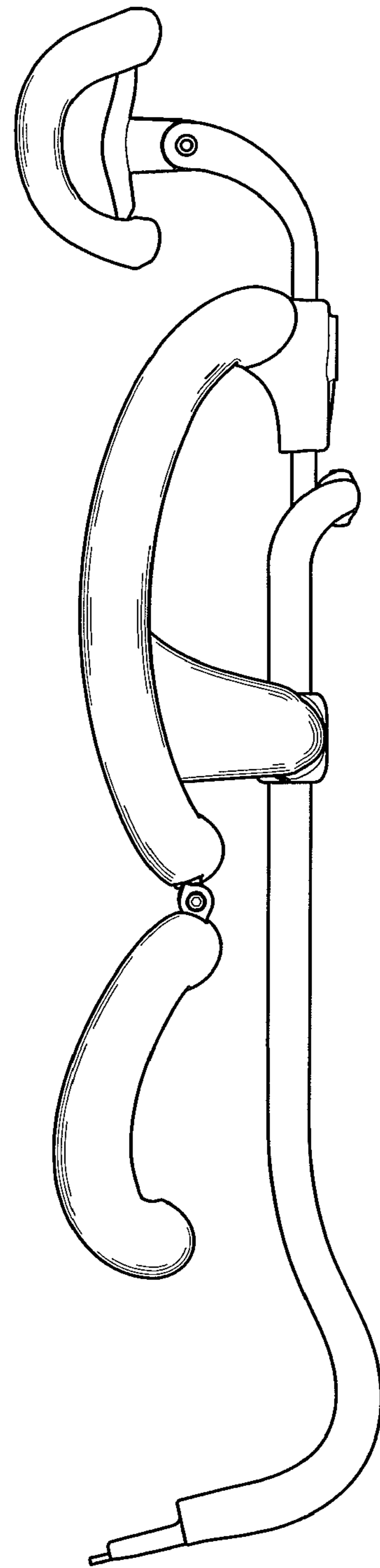


Fig. 5

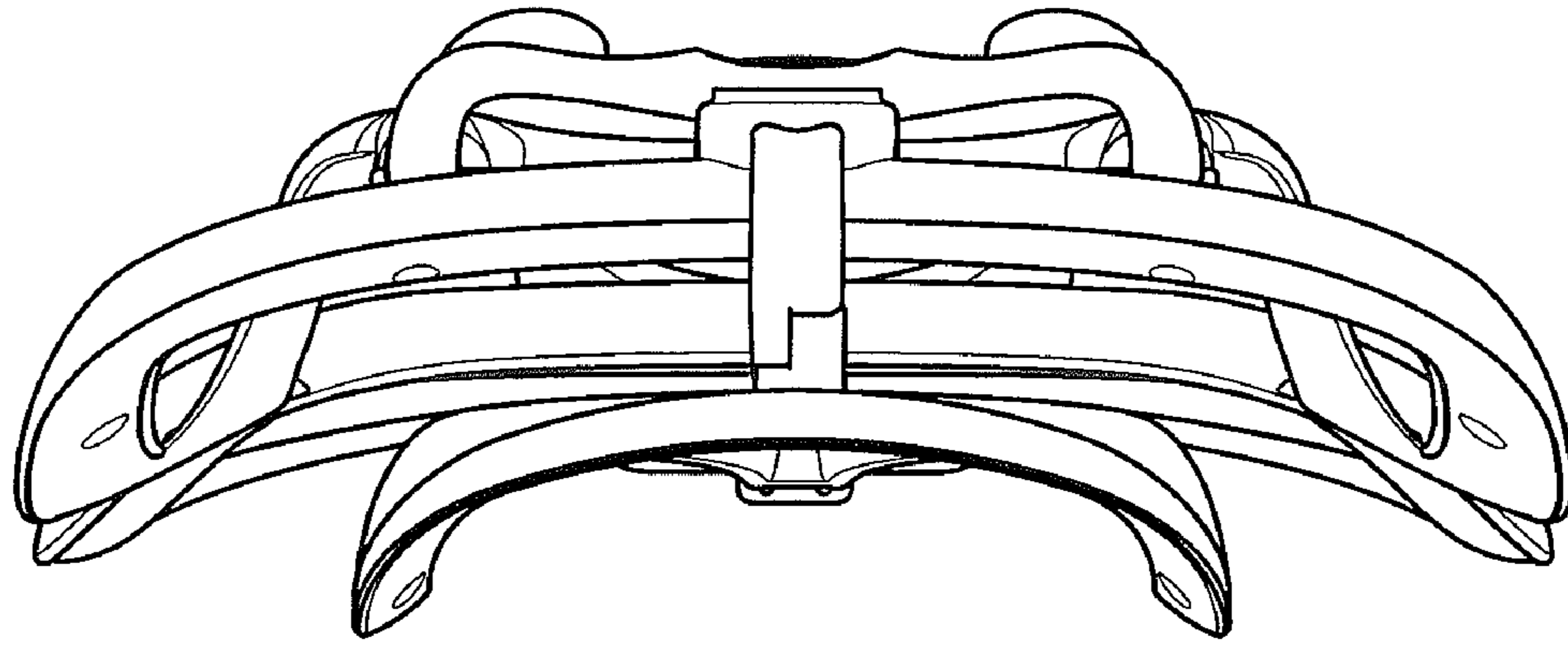


Fig. 6

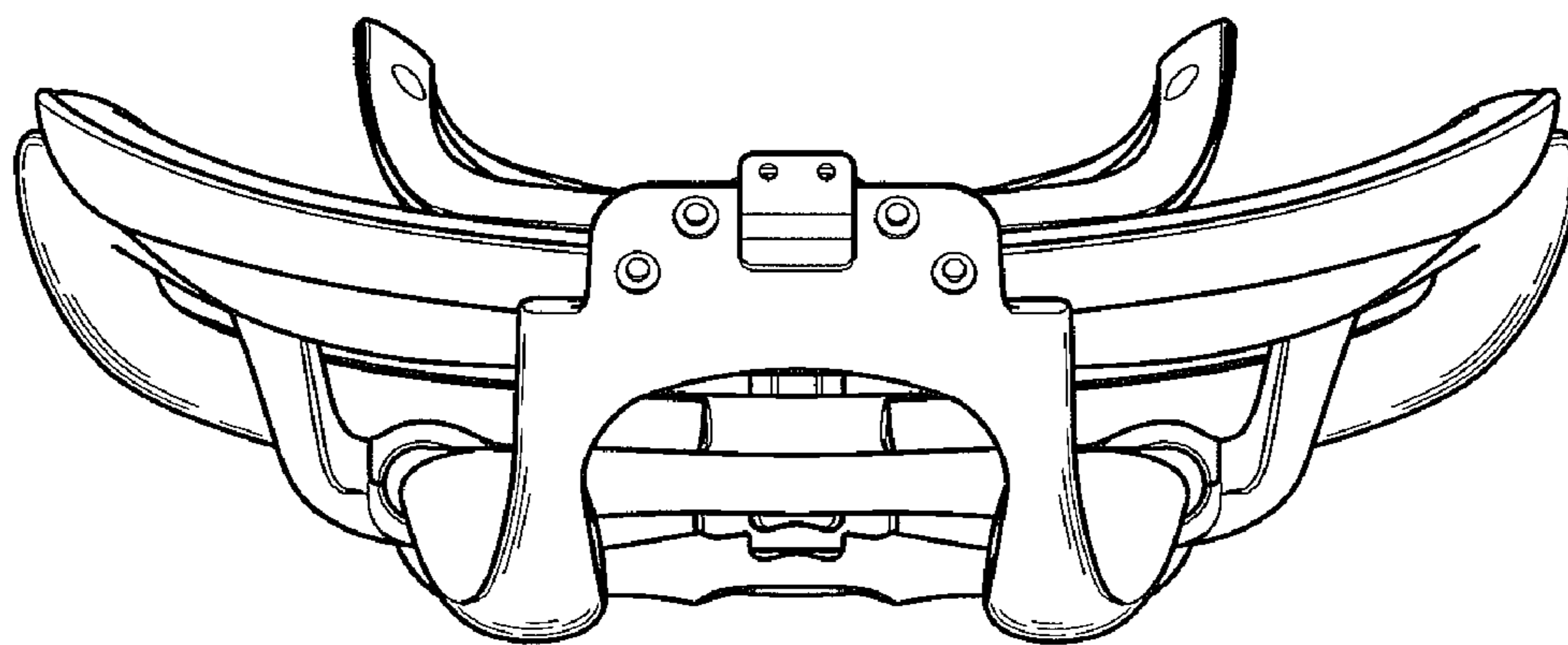


Fig. 7