



US00D641571S

(12) **United States Design Patent**
Feldman et al.

(10) **Patent No.:** **US D641,571 S**

(45) **Date of Patent:** **** Jul. 19, 2011**

(54) **COLOR CENTER CABINET**

(75) Inventors: **Linda Feldman**, Solon, OH (US);
Kristen Filicko, Olmsted Township, OH (US)

(73) Assignee: **Akzo Nobel Coatings International B.V.**, Arnhem (NL)

(**) Term: **14 Years**

(21) Appl. No.: **29/335,032**

(22) Filed: **Apr. 7, 2009**

(51) **LOC (9) Cl.** **06-04**

(52) **U.S. Cl.** **D6/468**

(58) **Field of Classification Search** D6/396,
D6/449, 511-514, 570, 454-458, 461-469,
D6/473-475, 549; 211/13.1, 34-39, 59.4,
211/134, 60.1, 73, 45, 50, 55, 85.26; 312/117,
312/114, 119, 107, 204, 140.1

See application file for complete search history.

(56) **References Cited**

U.S. PATENT DOCUMENTS

2,898,171 A * 8/1959 Ehlert et al. 312/122
4,398,638 A * 8/1983 Racine 211/85.5
D297,082 S * 8/1988 Binder et al. D6/463

D528,825 S * 9/2006 Ridout et al. D6/468
D543,727 S * 6/2007 Thaler D6/468
D557,041 S * 12/2007 Lee et al. D6/468
D578,804 S * 10/2008 Norman et al. D6/468
D599,581 S * 9/2009 Martinez D6/468
D618,014 S * 6/2010 Min et al. D6/468

* cited by examiner

Primary Examiner — Caron D Veynar

Assistant Examiner — Abraham Bahta

(74) *Attorney, Agent, or Firm* — Timothy D. Meade

(57) **CLAIM**

The ornamental design for a color center cabinet, substantially as shown and described.

DESCRIPTION

FIG. 1 is a front perspective view of the color center cabinet showing our new design;

FIG. 2 is a local perspective view of section 2 of FIG. 1 shown for ease of illustration;

FIG. 3 is a front elevation view thereof;

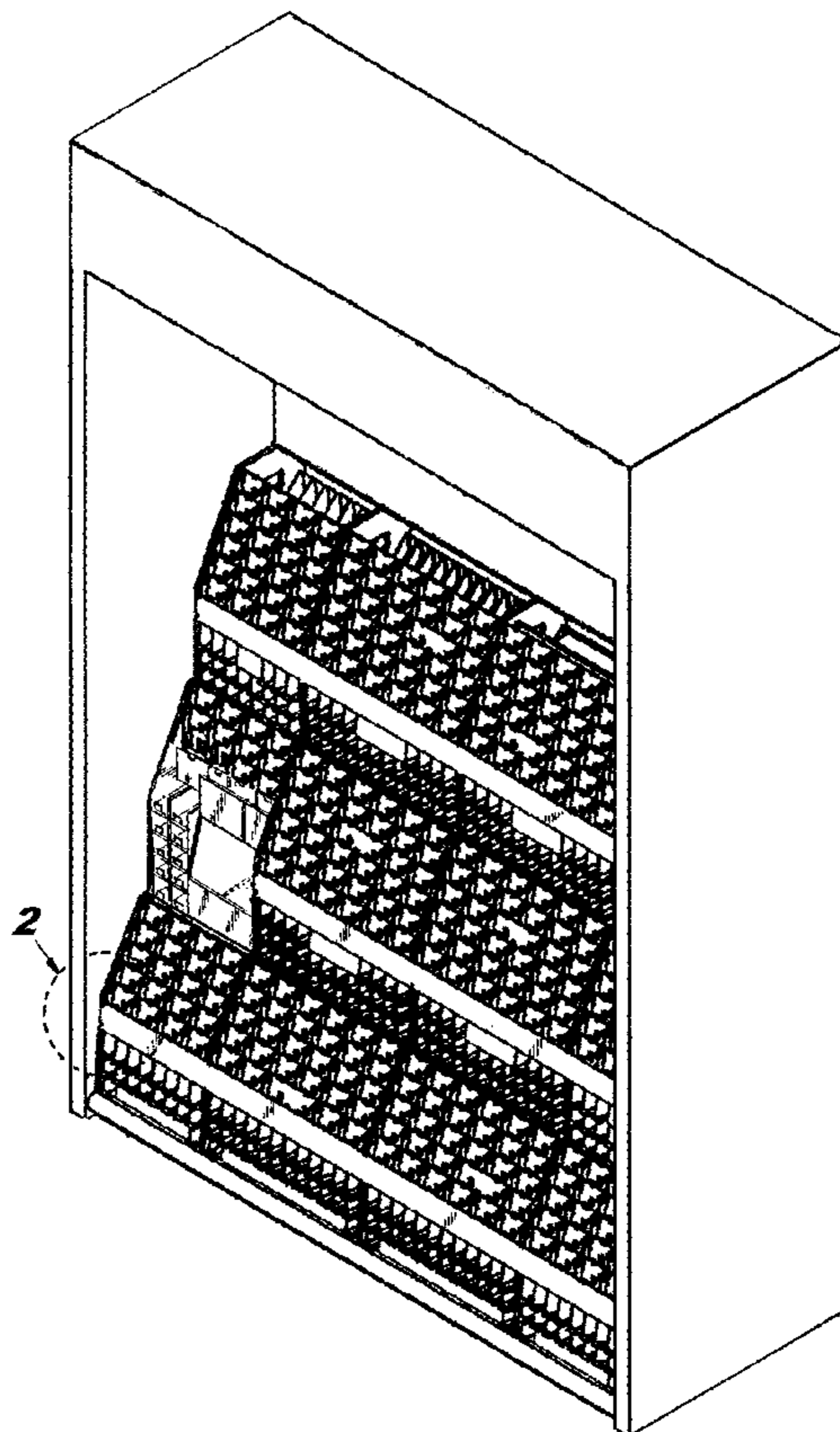
FIG. 4 is a top view thereof;

FIG. 5 is a side view thereof; and,

FIG. 6 is a rear view thereof.

The broken lines in FIG. 2 are for illustrative purposes only and form no part of the claimed design.

1 Claim, 5 Drawing Sheets



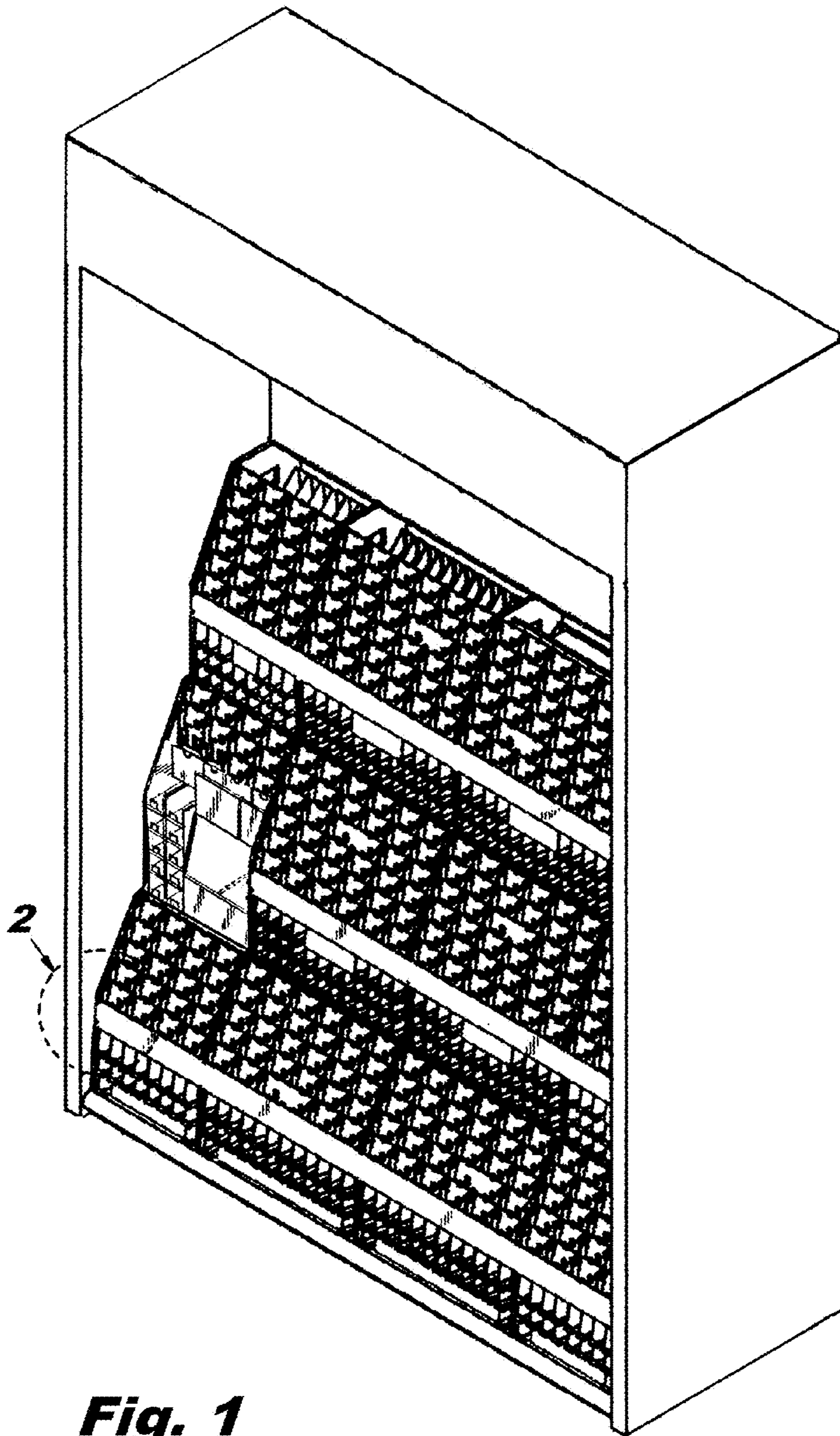


Fig. 1

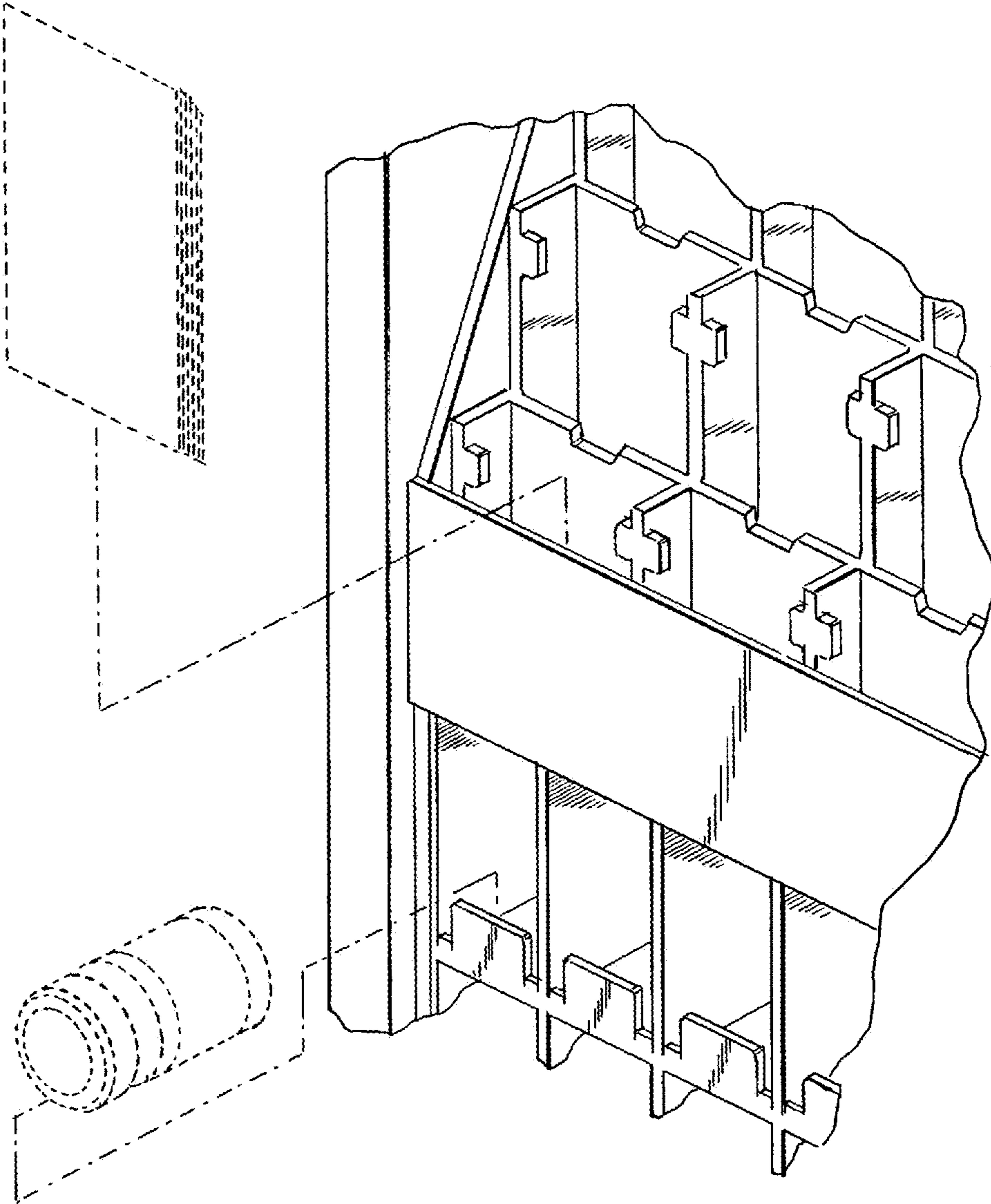


Fig. 2

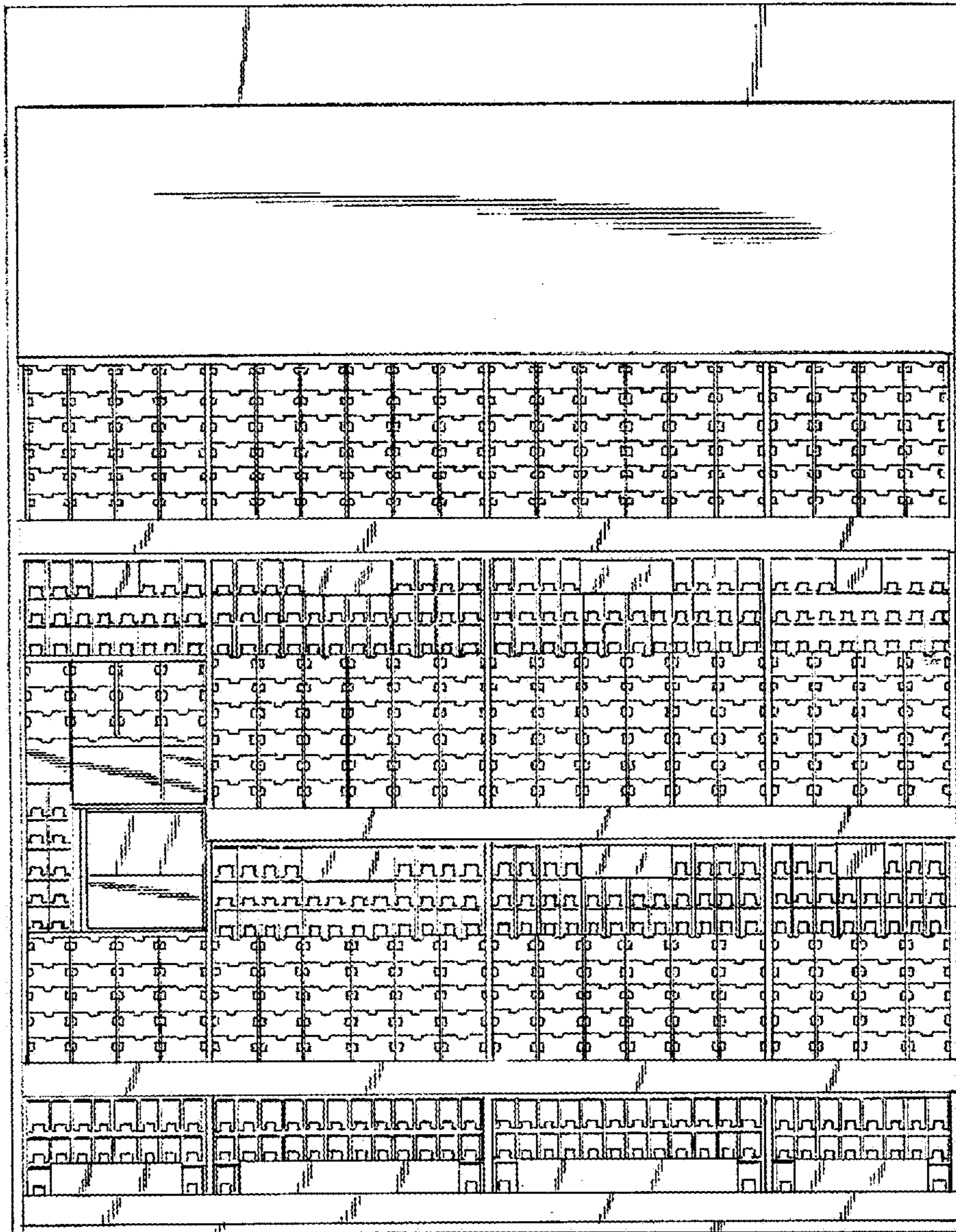


Fig. 3

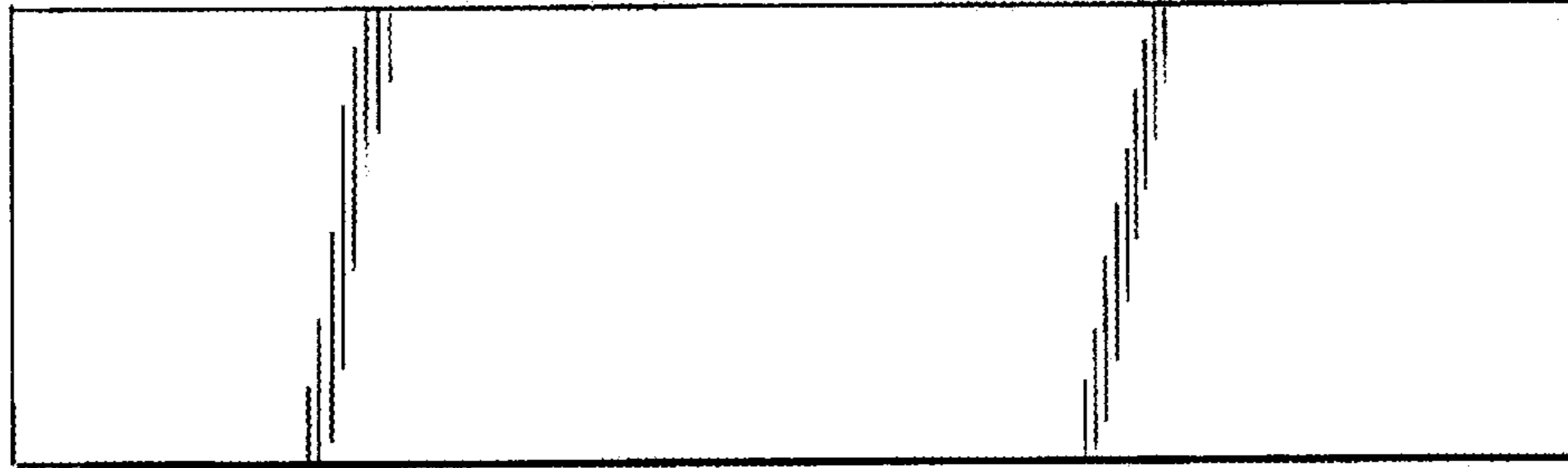


Fig. 4

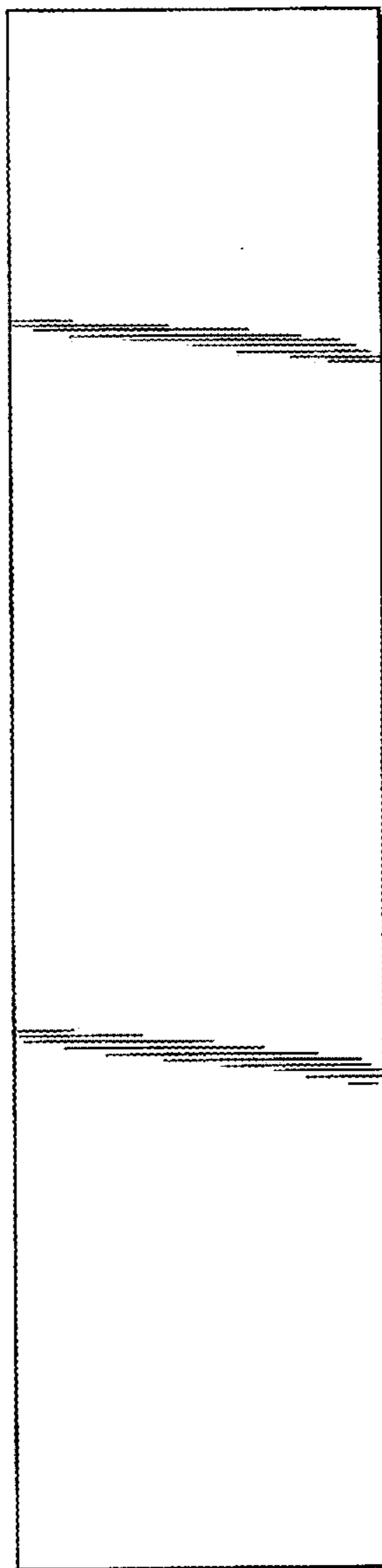


Fig. 5

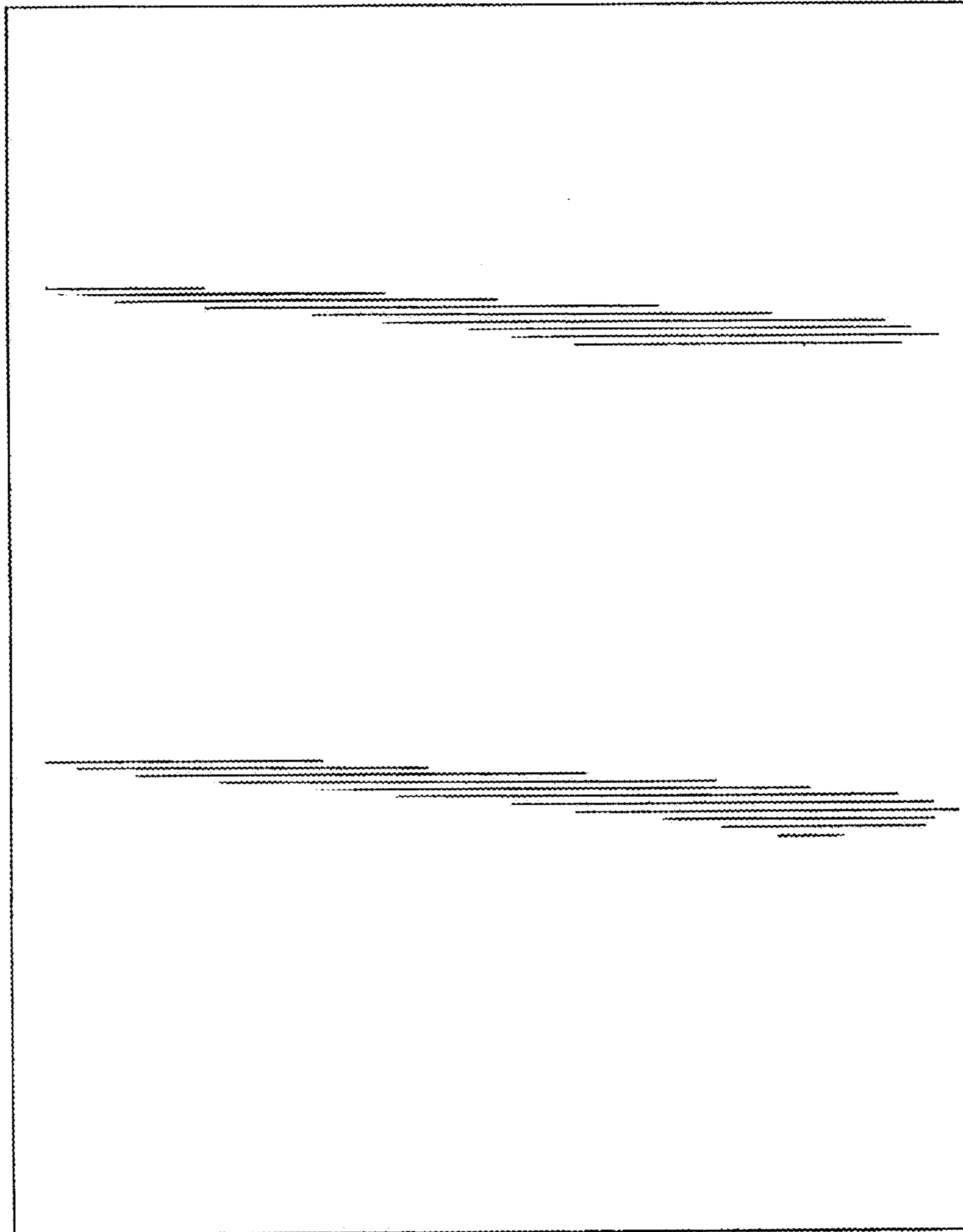


Fig. 6