



US00D641570S

(12) **United States Design Patent**  
**Zieman et al.**

(10) **Patent No.:** **US D641,570 S**

(45) **Date of Patent:** **\*\* Jul. 19, 2011**

(54) **SPOOL STAND**

(75) Inventors: **Nancy L. Zieman**, Beaver Dam, WI (US); **Chihiro Iwasaki**, Osaka (JP)

(73) Assignee: **Clover Mfg. Co., Ltd.**, Osaka (JP)

(\*\*) Term: **14 Years**

(21) Appl. No.: **29/383,025**

(22) Filed: **Jan. 11, 2011**

(30) **Foreign Application Priority Data**

Oct. 29, 2010 (JP) ..... 2010-026137

(51) **LOC (9) Cl.** ..... **06-04**

(52) **U.S. Cl.** ..... **D6/458; D3/25**

(58) **Field of Classification Search** ..... D6/396,  
D6/397, 409, 410, 449, 450, 453-470; 211/1,  
211/13.1, 69.1, 69.5, 70, 70.1, 70.6, 74, 77,  
211/78, 85.1, 85.2, 85.4, 85.5, 125, 190,  
211/205; D3/24, 25; 223/106

See application file for complete search history.

(56) **References Cited**

**U.S. PATENT DOCUMENTS**

D22,569	S	*	6/1893	Yearous	.....	D6/458
1,038,198	A	*	9/1912	Randall et al.	.....	211/205
D146,869	S	*	6/1947	Olsen	.....	D6/464
3,204,779	A	*	9/1965	Warner	.....	211/190
D202,677	S	*	10/1965	Hagle	.....	D6/458
3,357,570	A	*	12/1967	Hagle, Sr. et al.	.....	211/125
D239,070	S	*	3/1976	Grey	.....	D3/25
D244,408	S	*	5/1977	Jennings	.....	D3/25
4,351,458	A	*	9/1982	Wolfe	.....	223/106
D496,191	S	*	9/2004	Johnson	.....	D6/465
D505,571	S	*	5/2005	Cape	.....	D6/455

\* cited by examiner

*Primary Examiner* — Mary Ann Calabrese

(74) *Attorney, Agent, or Firm* — Hamre, Schumann, Mueller & Larson, P.C.

(57) **CLAIM**

We claim the ornamental design for a spool stand, as shown and described.

**DESCRIPTION**

FIG. 1 is a perspective view of a spool stand according to our design, the spool stand being an assembly of plural pieces stacked one on another;

FIG. 2 is a perspective view of a piece of the spool stand removed for clarity of illustration;

FIG. 3 is a front view of the spool stand;

FIG. 4 is a top plan view of the spool stand;

FIG. 5 is a bottom view of the spool stand;

FIG. 6 is a rear view of the spool stand;

FIG. 7 is a right side view of the spool stand;

FIG. 8 is a left side view of the spool stand;

FIG. 9 is a sectional view of the spool stand taken along line 9-9 in FIG. 4;

FIG. 10 a front view of the spool stand piece of FIG. 2, the rear view being identical to the front view;

FIG. 11 is a top plan view of the spool stand piece of FIG. 2;

FIG. 12 is a bottom view of the spool stand piece of FIG. 2;

FIG. 13 is a right side view of the spool stand piece of FIG. 2, the left side view being identical to the right side view; and,

FIG. 14 is a perspective view of the spool stand as used for holding a plurality of yarn spools, wherein the, broken lines showing the yarn spools are for illustrative-purposes only and form no part of the claimed spool stand.

**1 Claim, 11 Drawing Sheets**

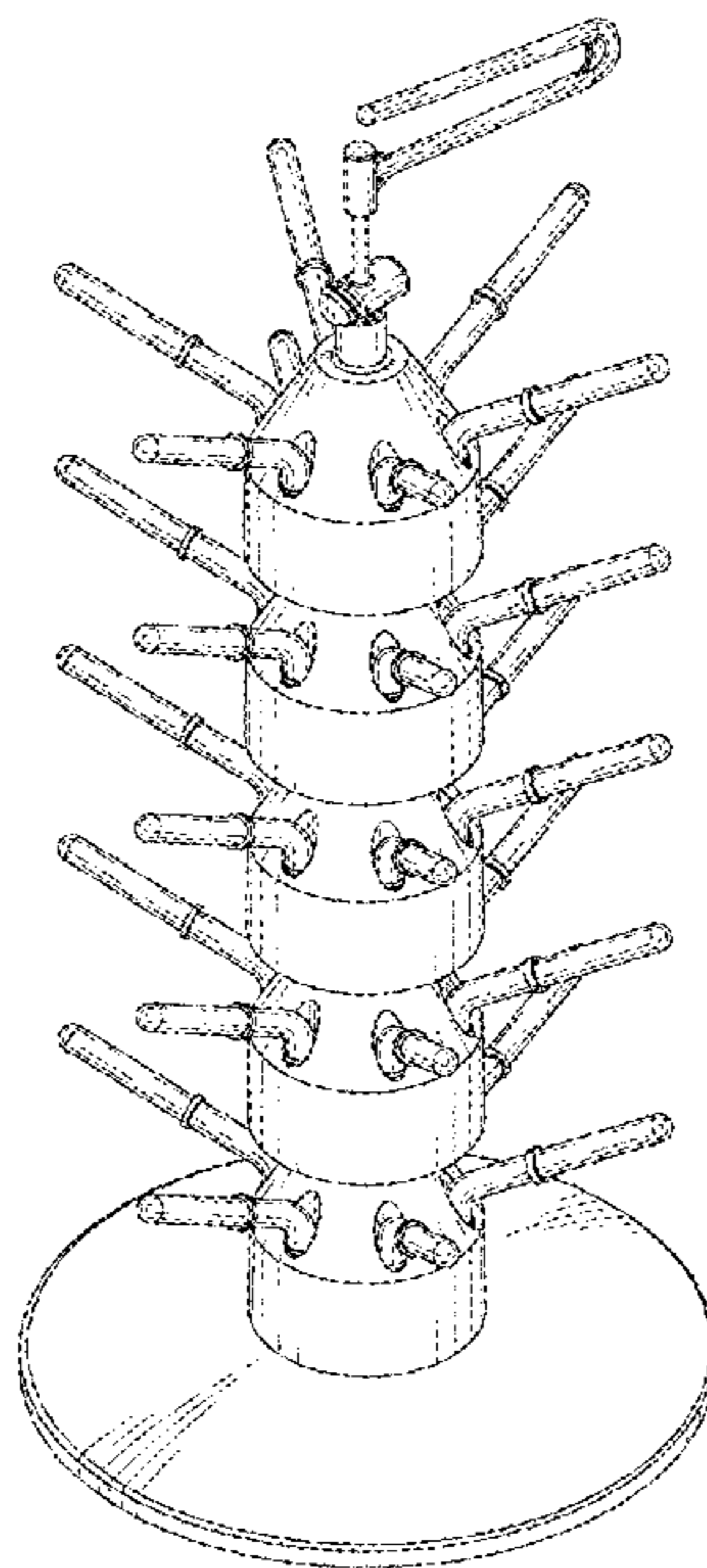


Fig. 1

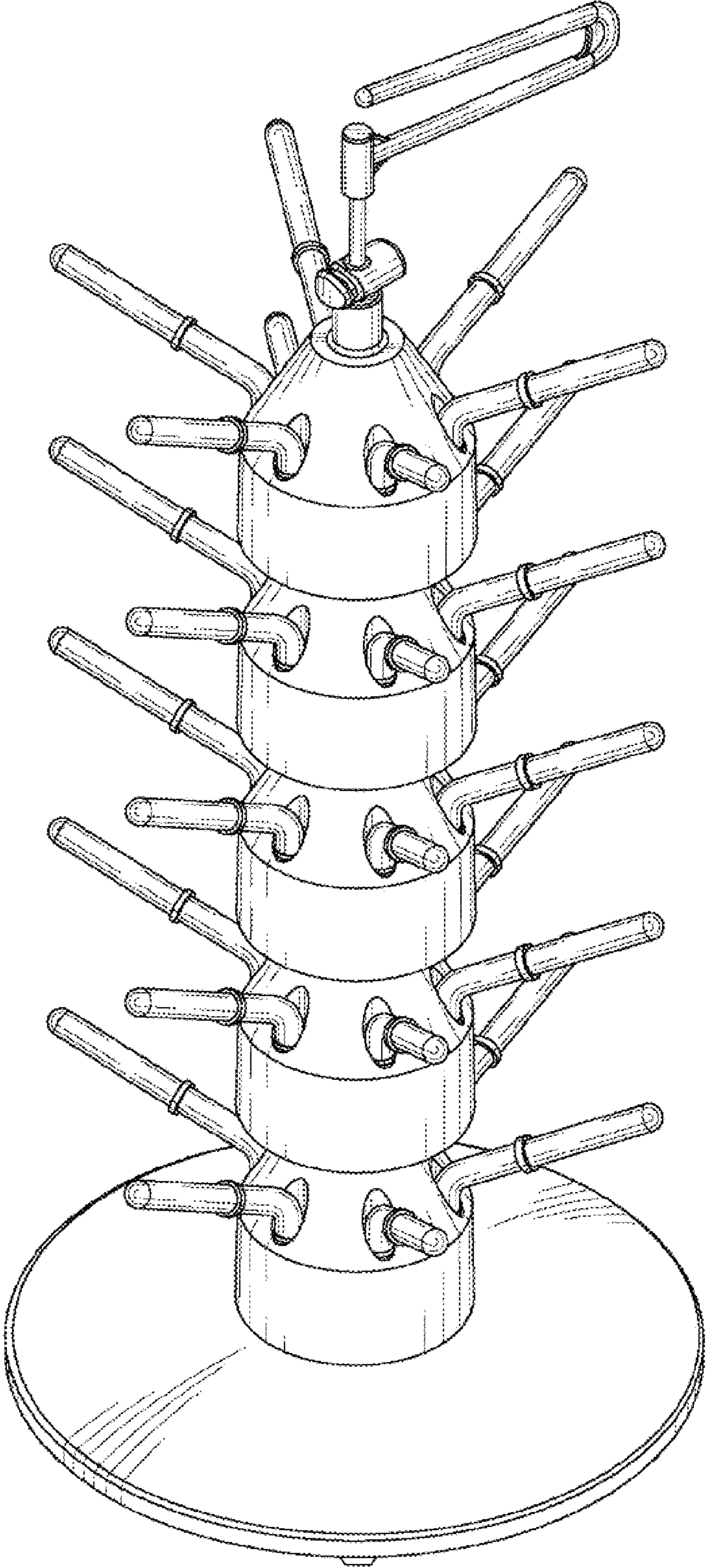


Fig. 2

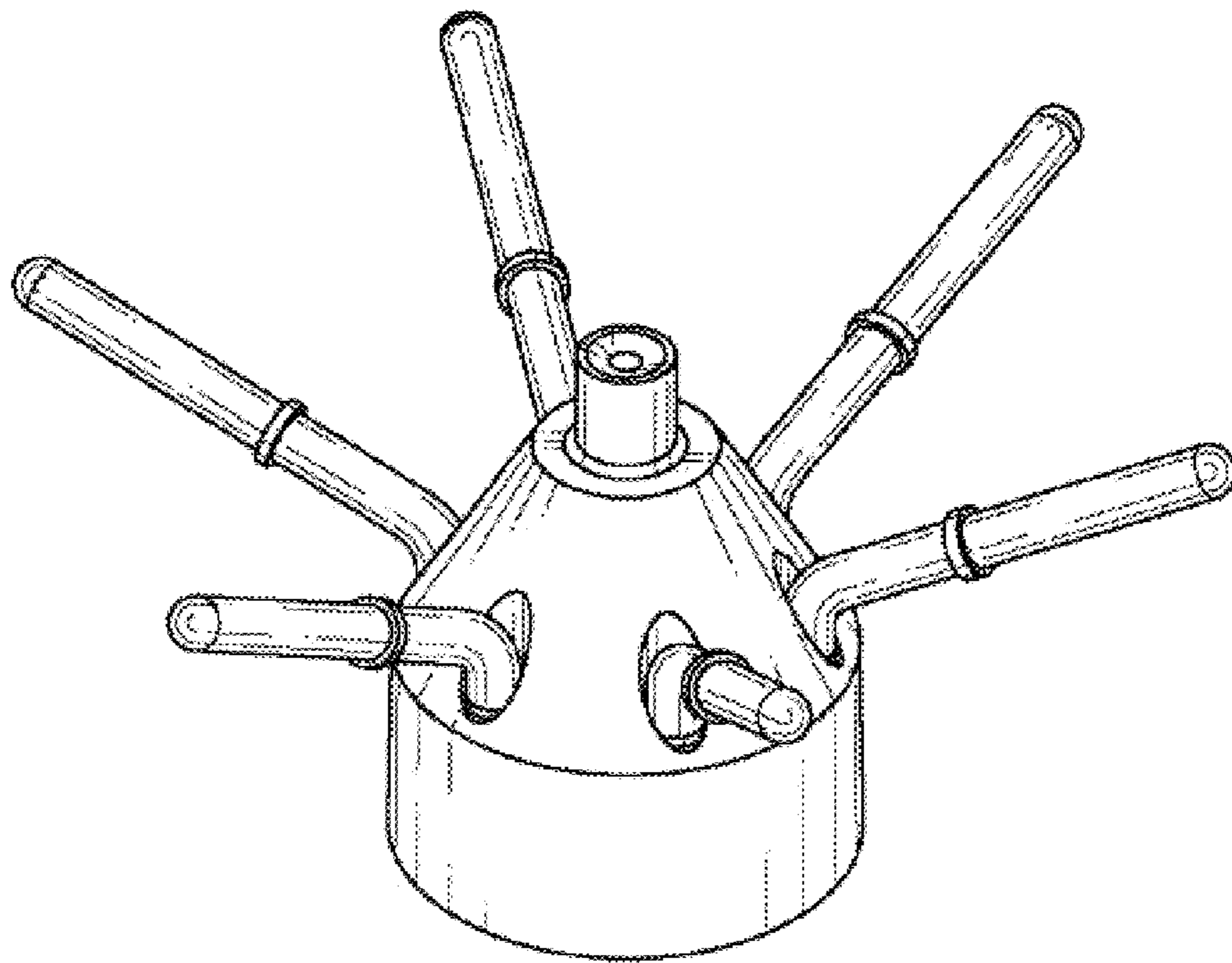




Fig. 3

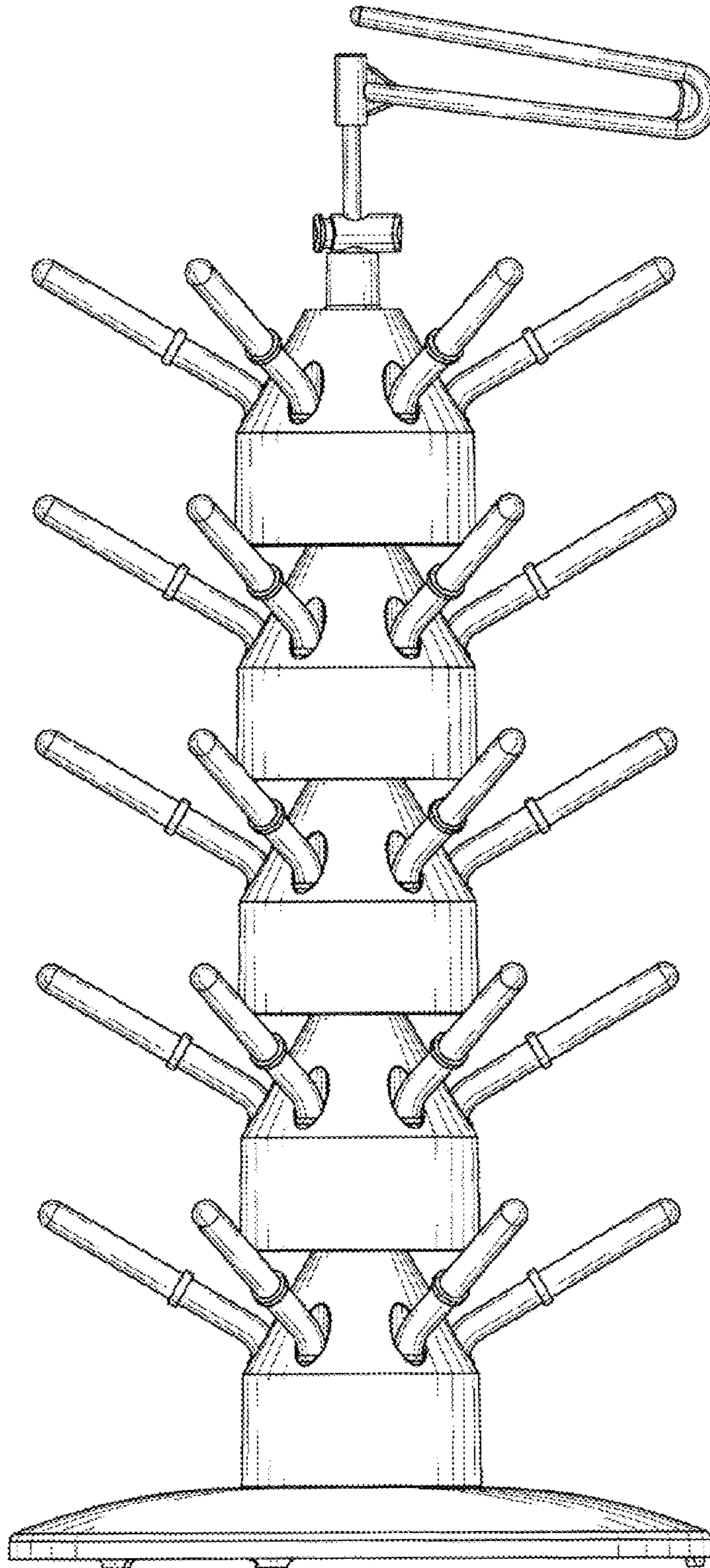
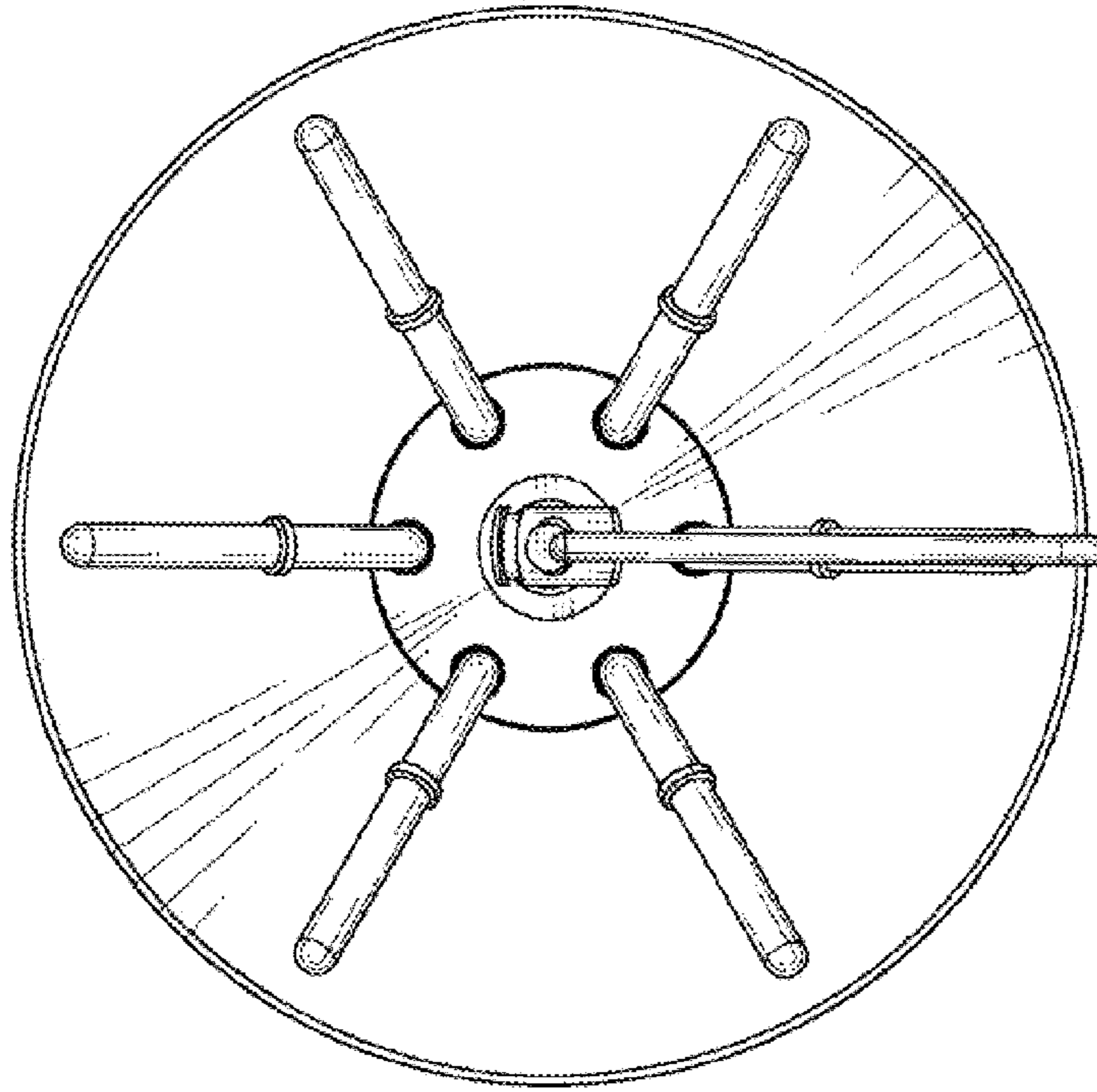


Fig. 4

9 ←



9 ←

Fig. 5

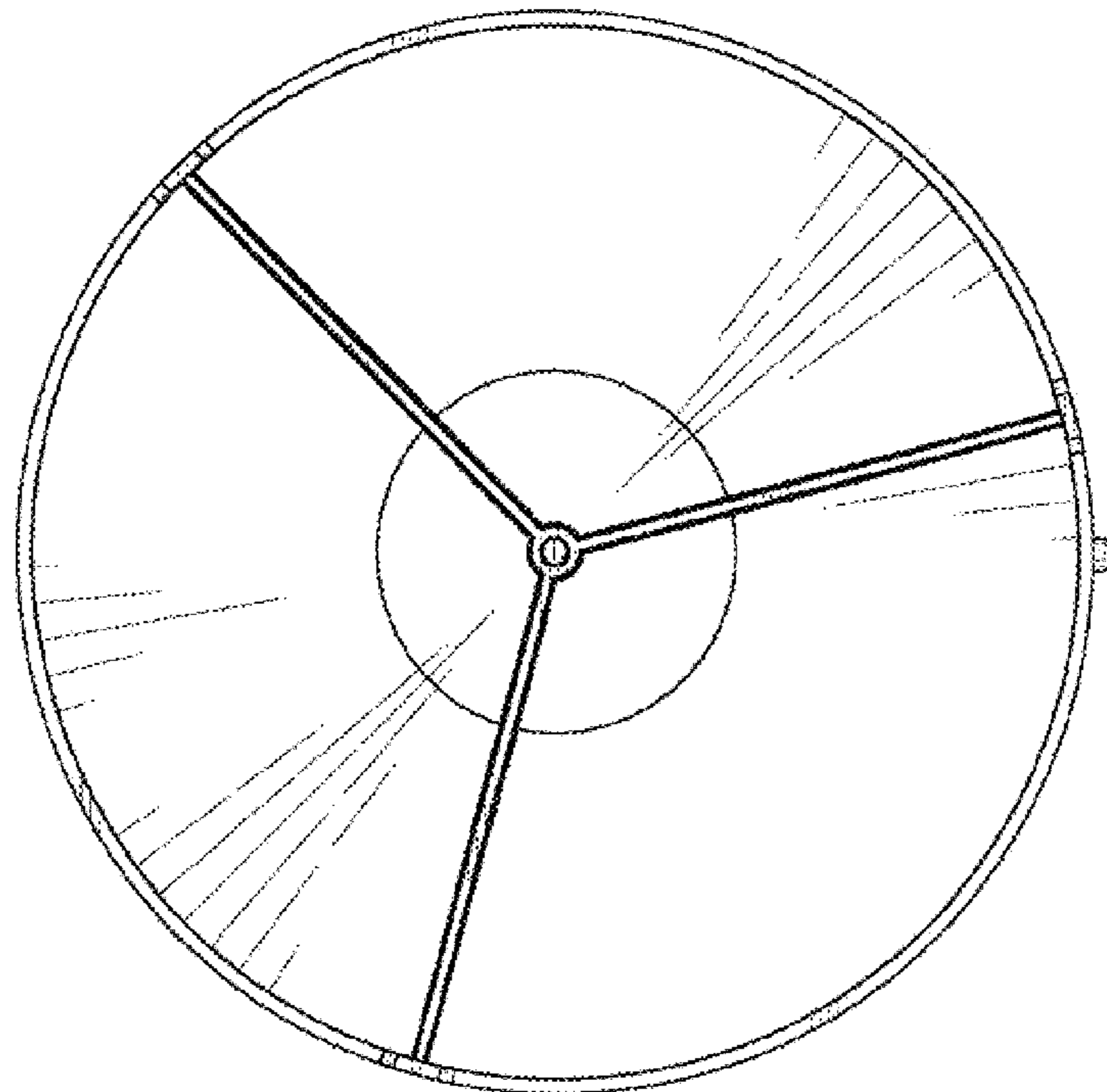


Fig. 6

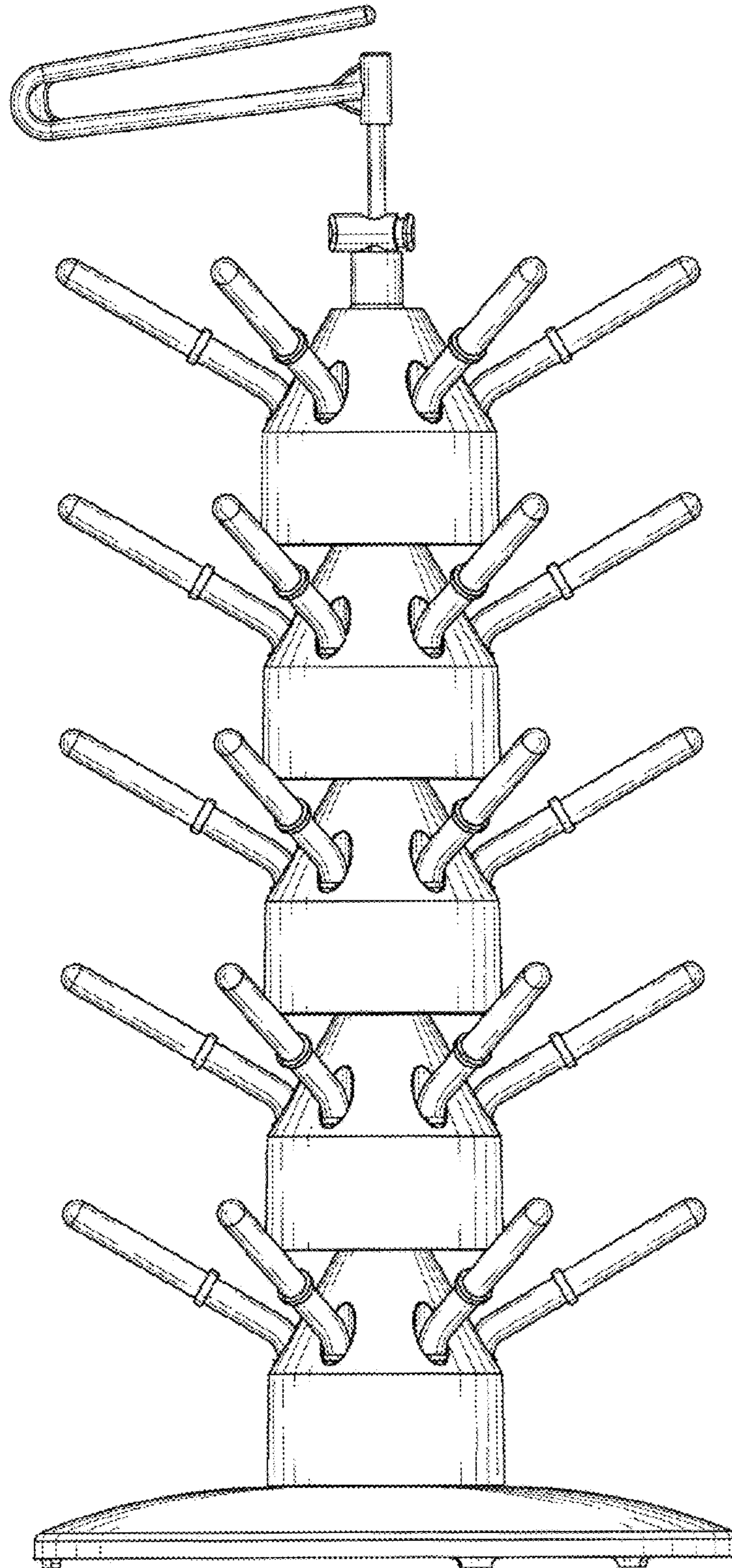




Fig. 7

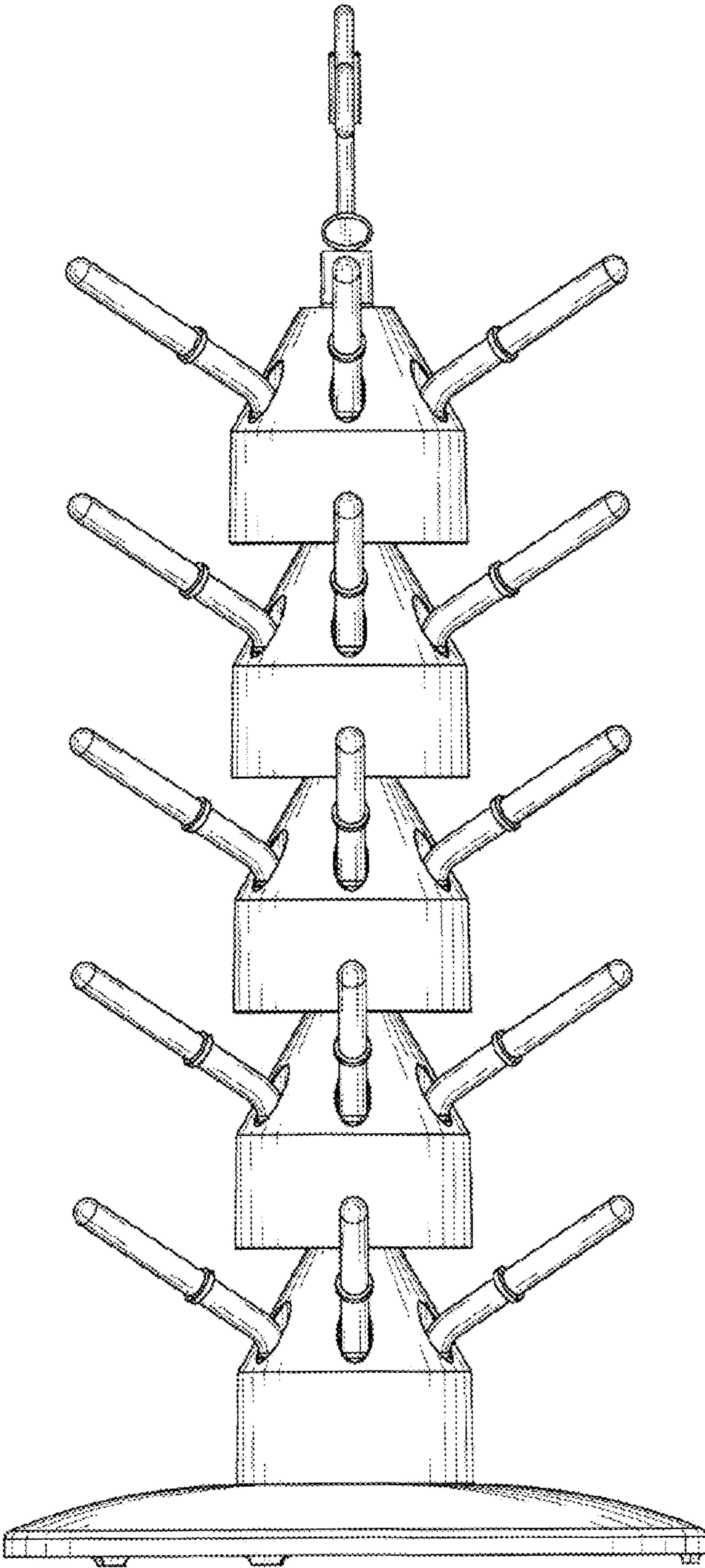


Fig. 8

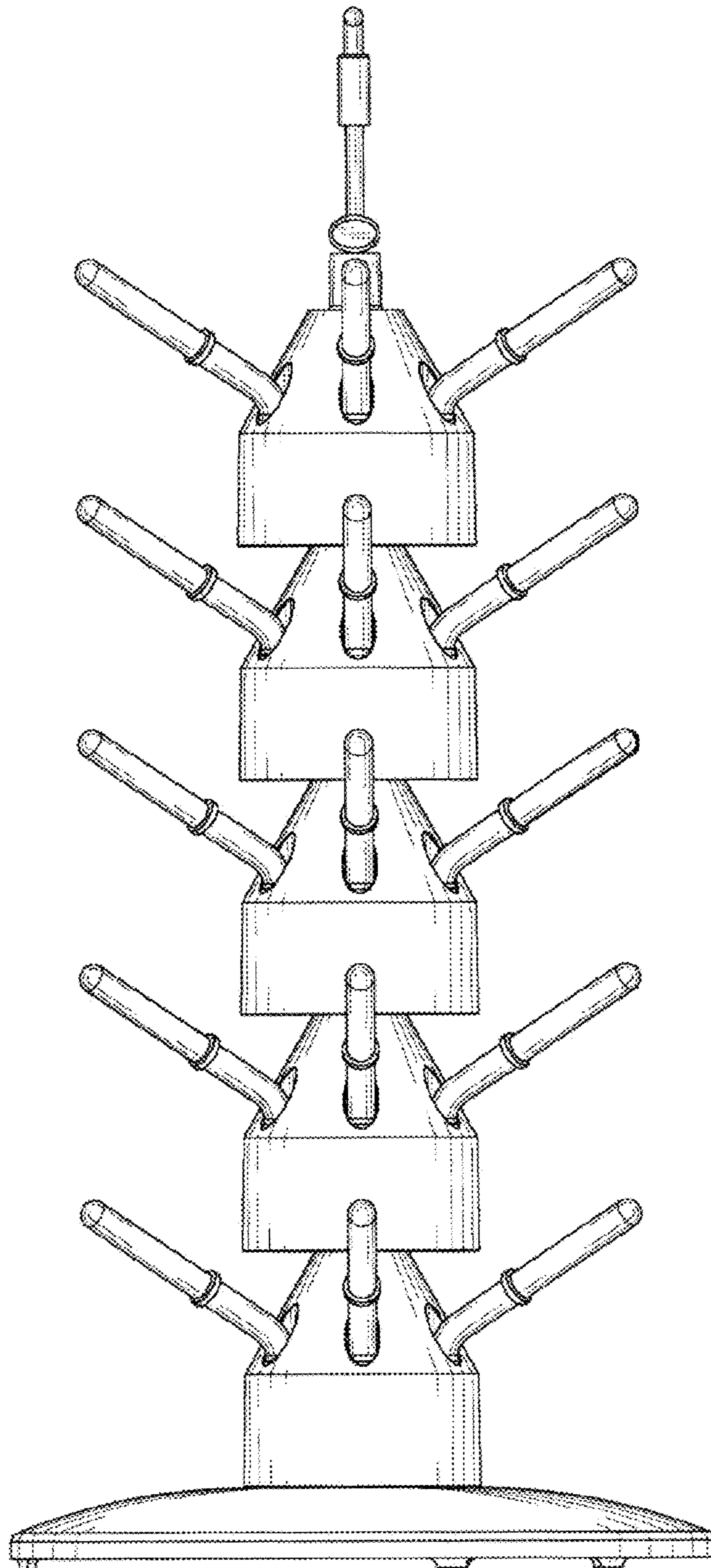




Fig. 9

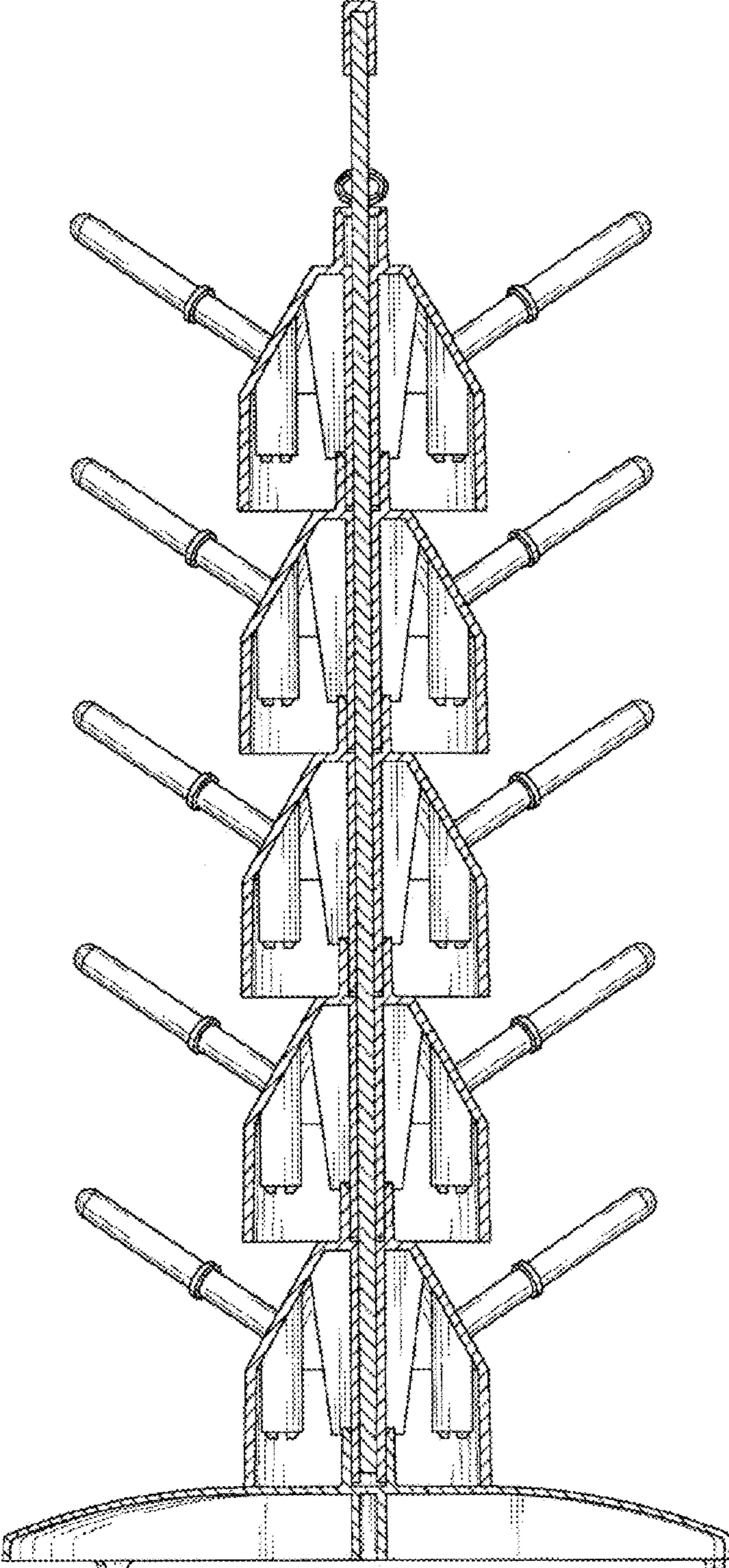


Fig. 10

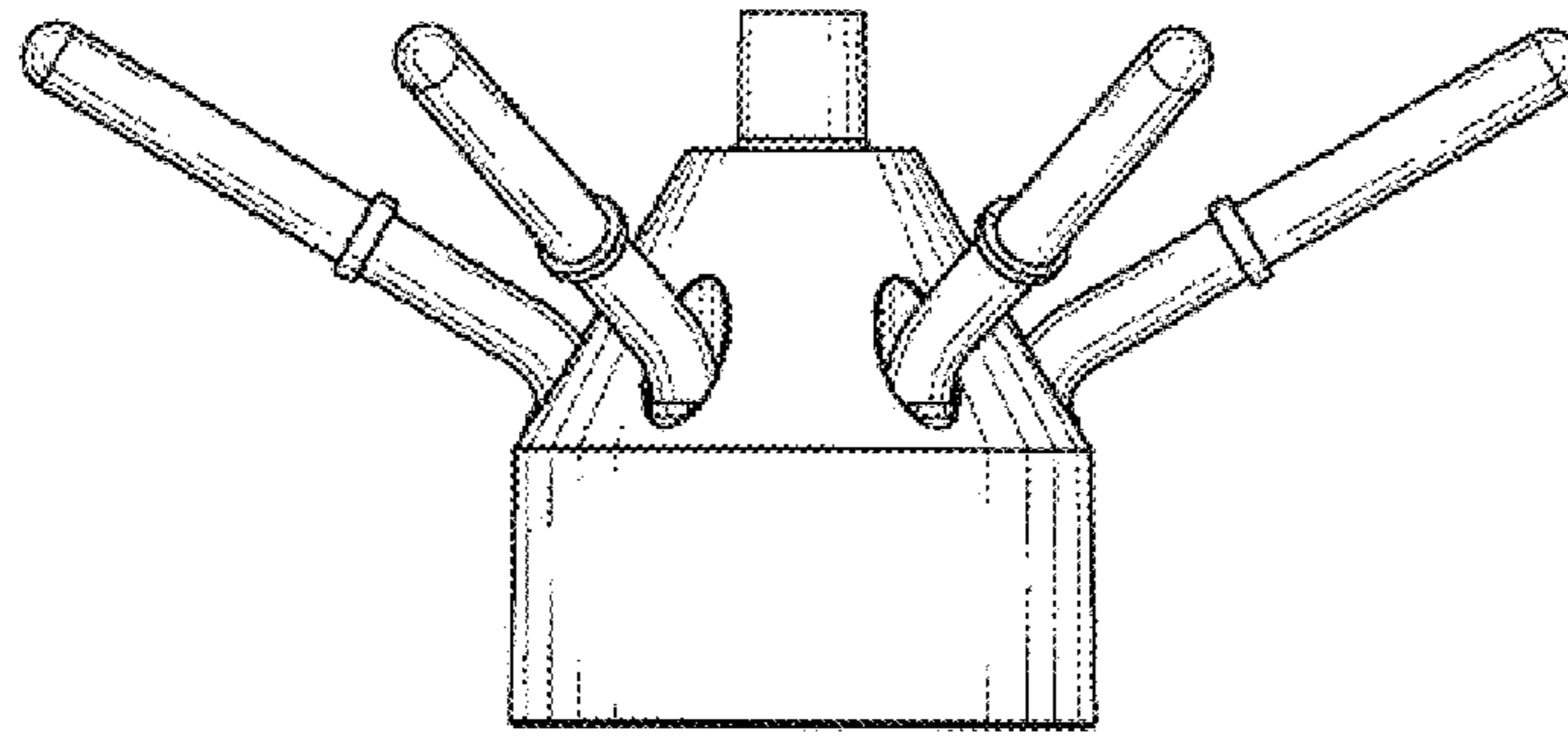


Fig. 11

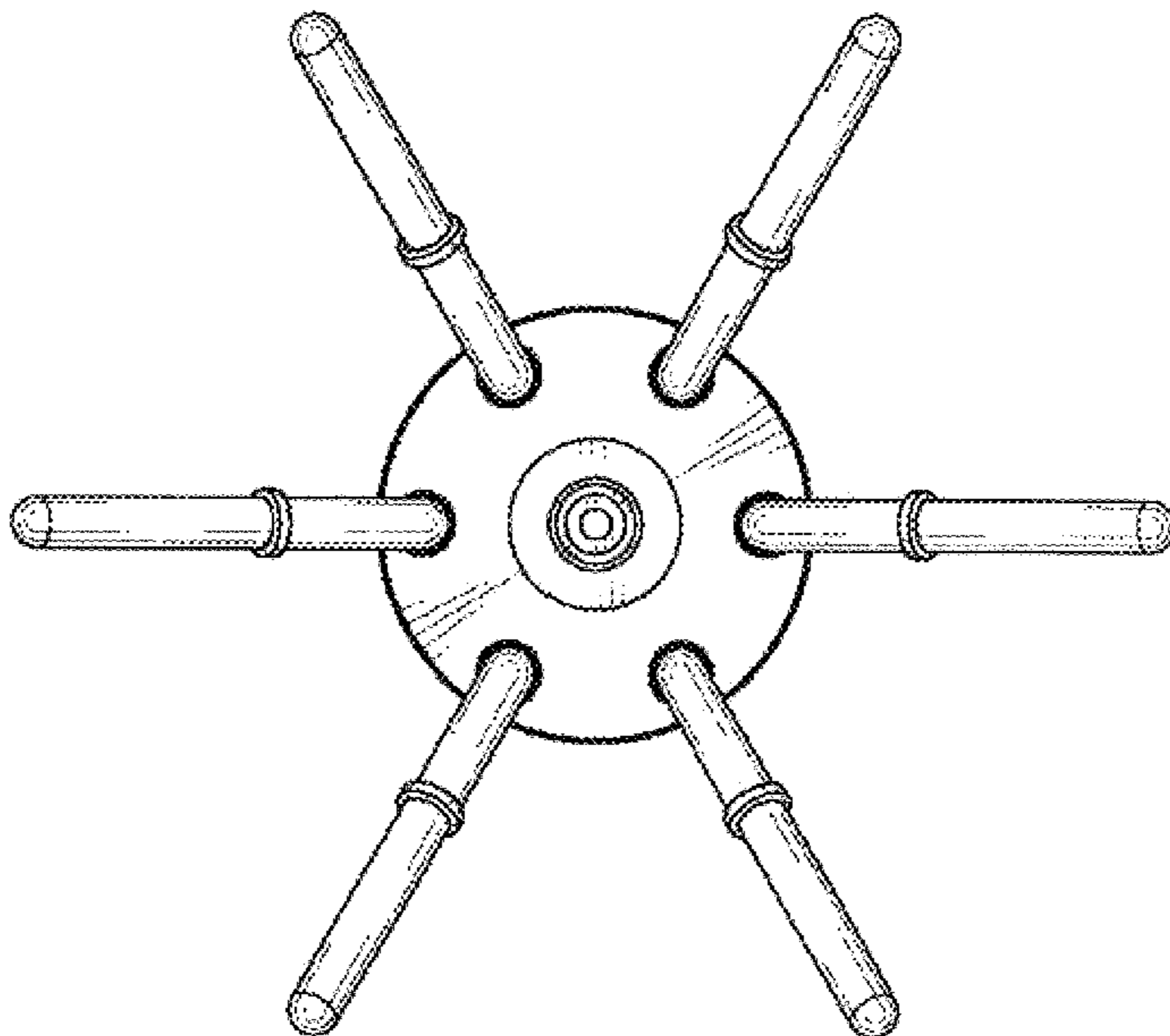


Fig. 12

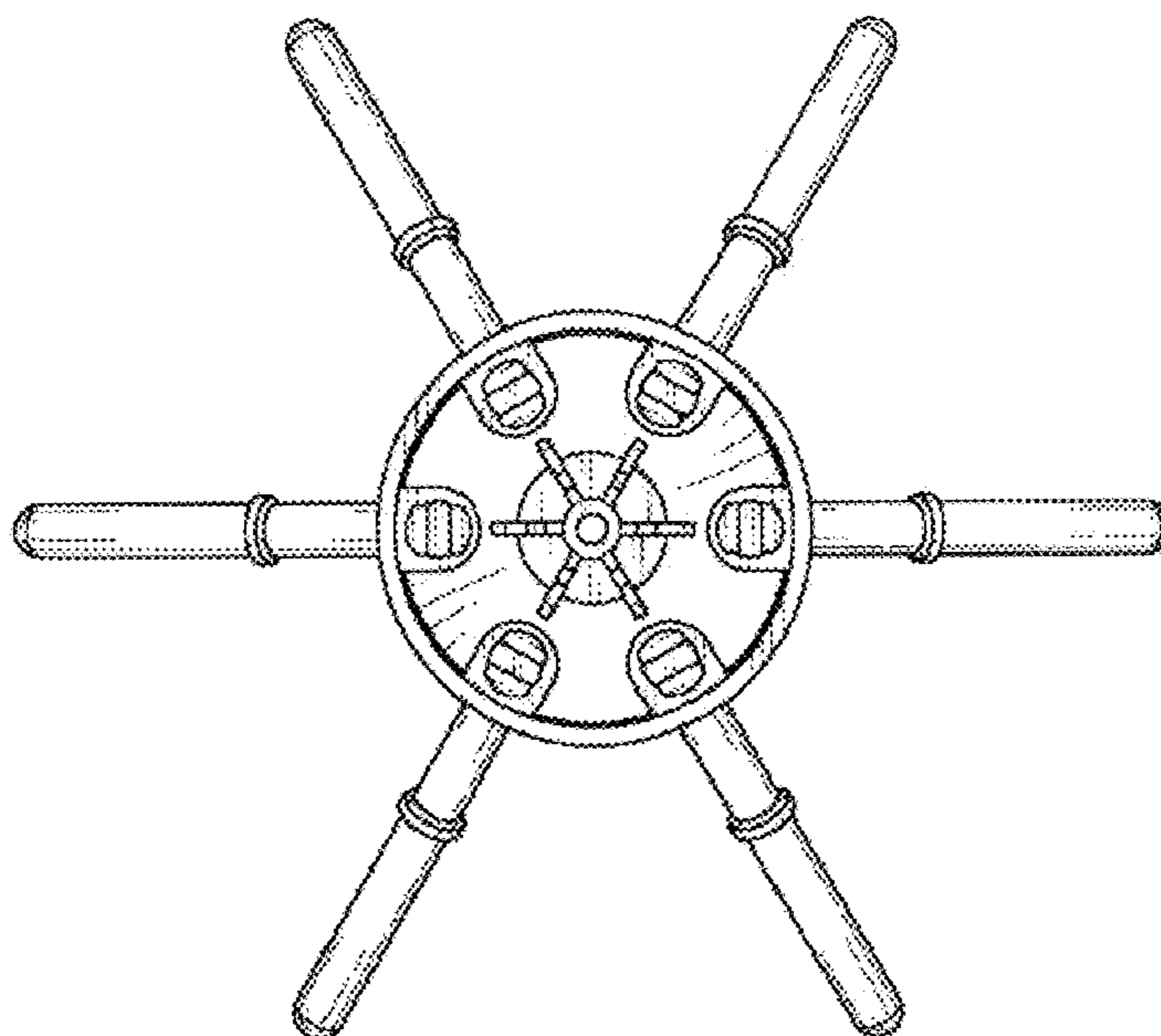


Fig. 13

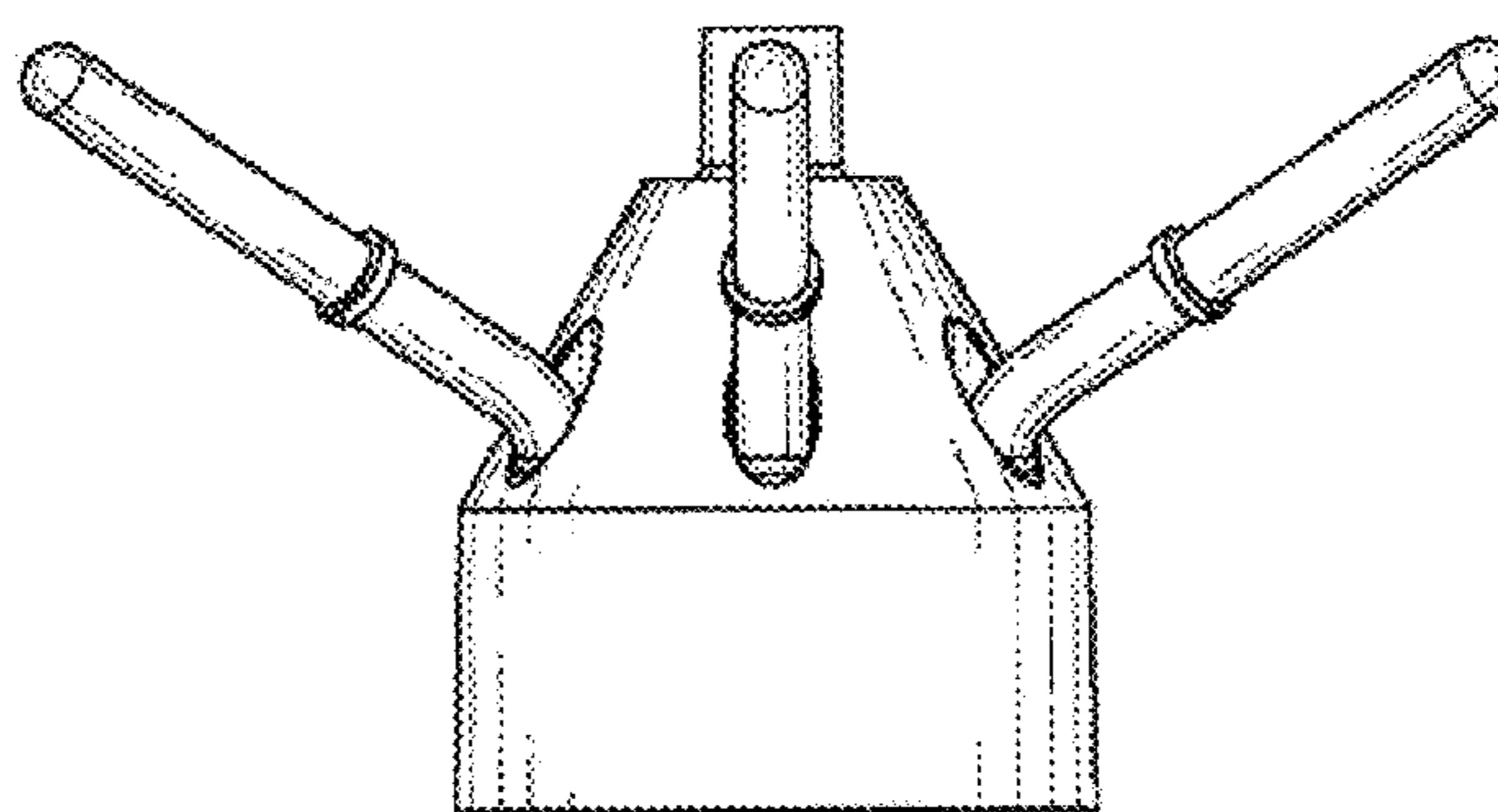




Fig. 14

