



US00D641568S

(12) **United States Design Patent**
Bugio

(10) **Patent No.:** **US D641,568 S**

(45) **Date of Patent:** **** Jul. 19, 2011**

(54) **PLANT SUPPORT**

(76) **Inventor:** **Antonio S. Bugio, Katy, TX (US)**

(**) **Term:** **14 Years**

(21) **Appl. No.:** **29/380,563**

(22) **Filed:** **Dec. 7, 2010**

(51) **LOC (9) Cl.** **11-02**

(52) **U.S. Cl.** **D6/405; D11/148**

(58) **Field of Classification Search** D6/403-405,
D6/556-668; D8/1; D11/143-156, 164;
D19/77, 80, 81, 84; D25/100; D26/9-11,
D26/16, 19; D34/1, 2, 4-6; D99/5, 19; 47/17,
47/32.4, 32.5, 32.7, 33, 39, 41.01, 41.1, 41.11-41.15,
47/44-47, 63, 65.5, 65.9, 66.1, 66.2, 66.6,
47/66.7, 67-71

See application file for complete search history.

(56) **References Cited**

U.S. PATENT DOCUMENTS

1,624,504	A	*	4/1927	Pfarr	47/67
D221,970	S	*	9/1971	Kelly	D6/403
D350,081	S	*	8/1994	May	D11/148
D350,912	S	*	9/1994	Stansfield	D11/152
D357,596	S	*	4/1995	Kragt et al.	D6/403
D379,908	S	*	6/1997	Thaler et al.	D8/1
D384,305	S	*	9/1997	Cox	D11/153

D405,289	S	*	2/1999	Rosenberg	D6/403
D448,320	S	*	9/2001	Jones et al.	D11/148
6,314,674	B1	*	11/2001	Lee	47/39
D465,388	S	*	11/2002	Rhea	D8/1
D482,212	S	*	11/2003	Nakaoka	D6/405
D579,230	S	*	10/2008	Denham	D6/405

* cited by examiner

Primary Examiner — Garth Rademaker

(74) *Attorney, Agent, or Firm* — QuickPatents, Inc.; Kevin Prince

(57) **CLAIM**

The ornamental design for a plant support, as shown and described.

DESCRIPTION

FIG. 1 is an exploded perspective view of a plant support, showing the new design with a basket portion separated from a base portion, only one of the four basket portions being shown for clarity of illustration;

FIG. 2 is a front elevational view thereof;

FIG. 3 is a rear elevational view thereof;

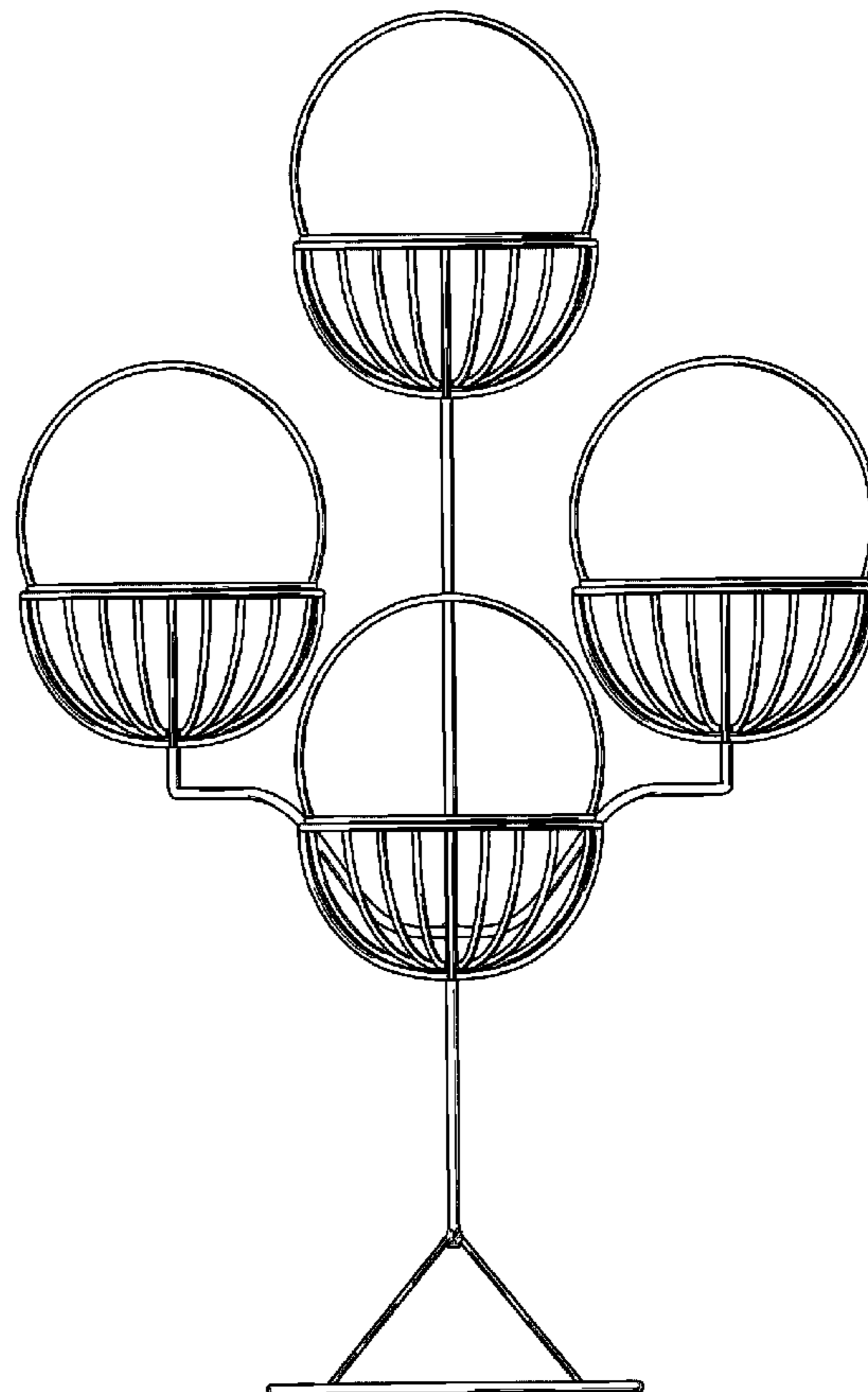
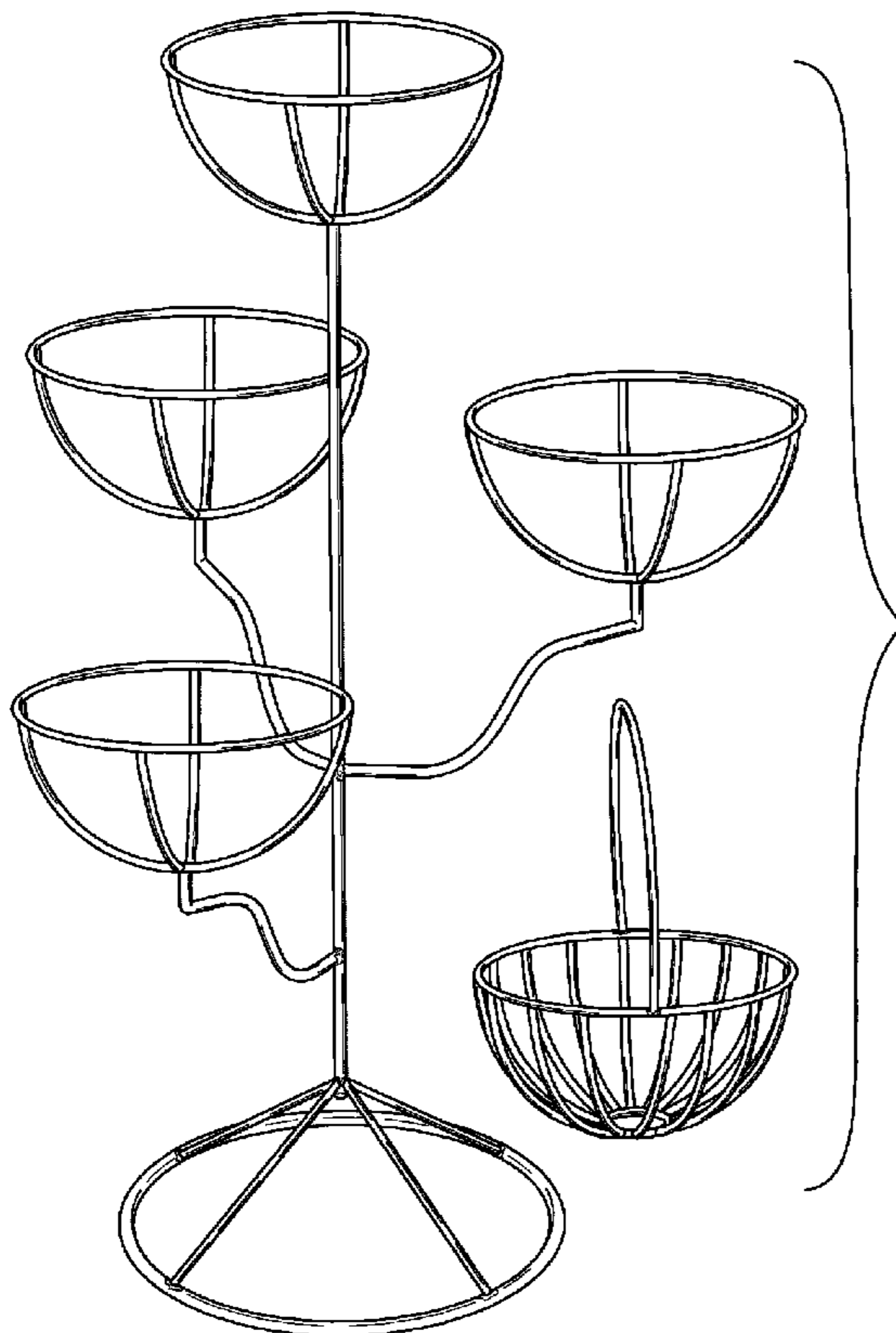
FIG. 4 is a left-side elevational view thereof;

FIG. 5 is a right-side elevational view thereof;

FIG. 6 is a top plan view thereof; and,

FIG. 7 is a bottom plan view thereof.

1 Claim, 7 Drawing Sheets



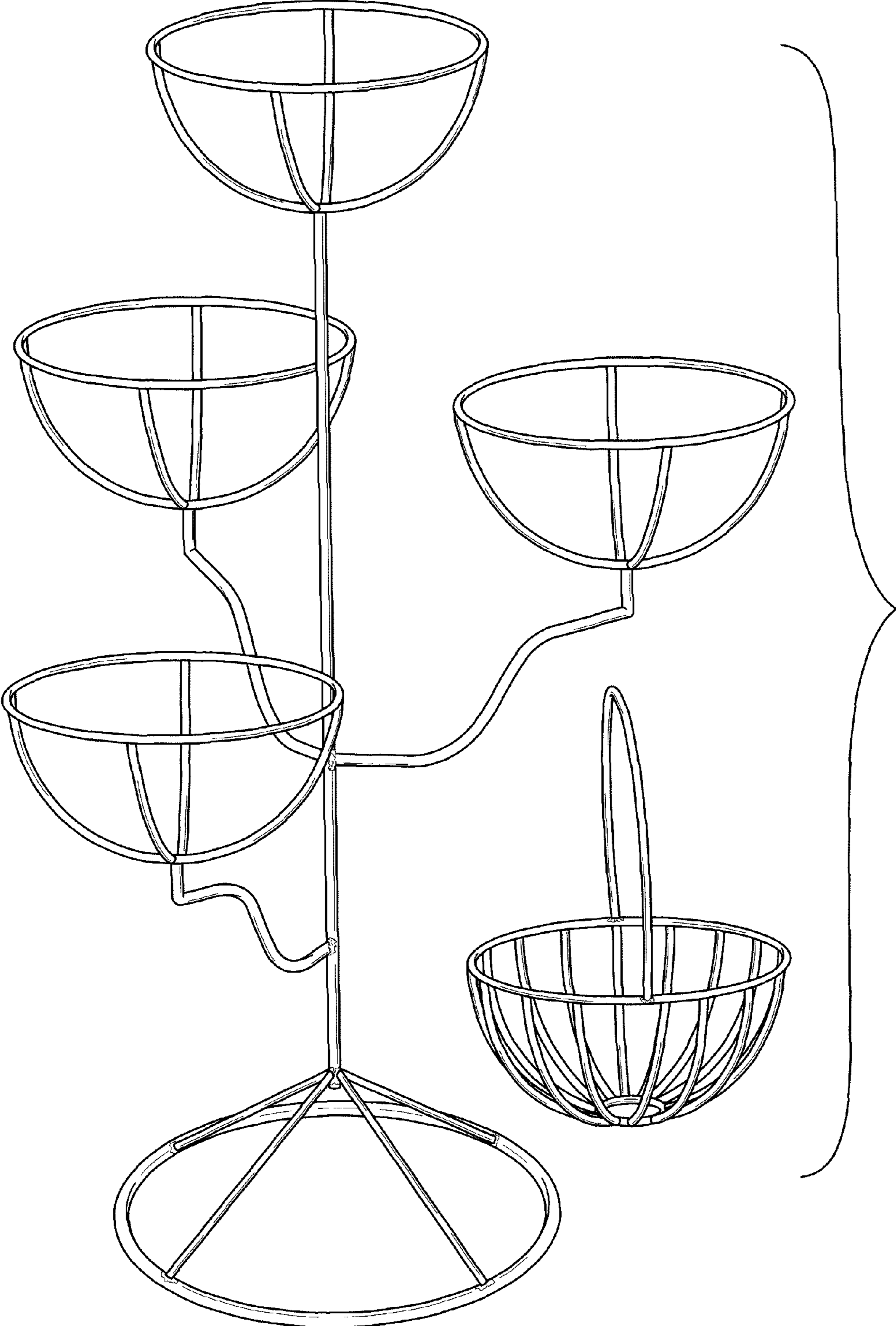


FIG. 1

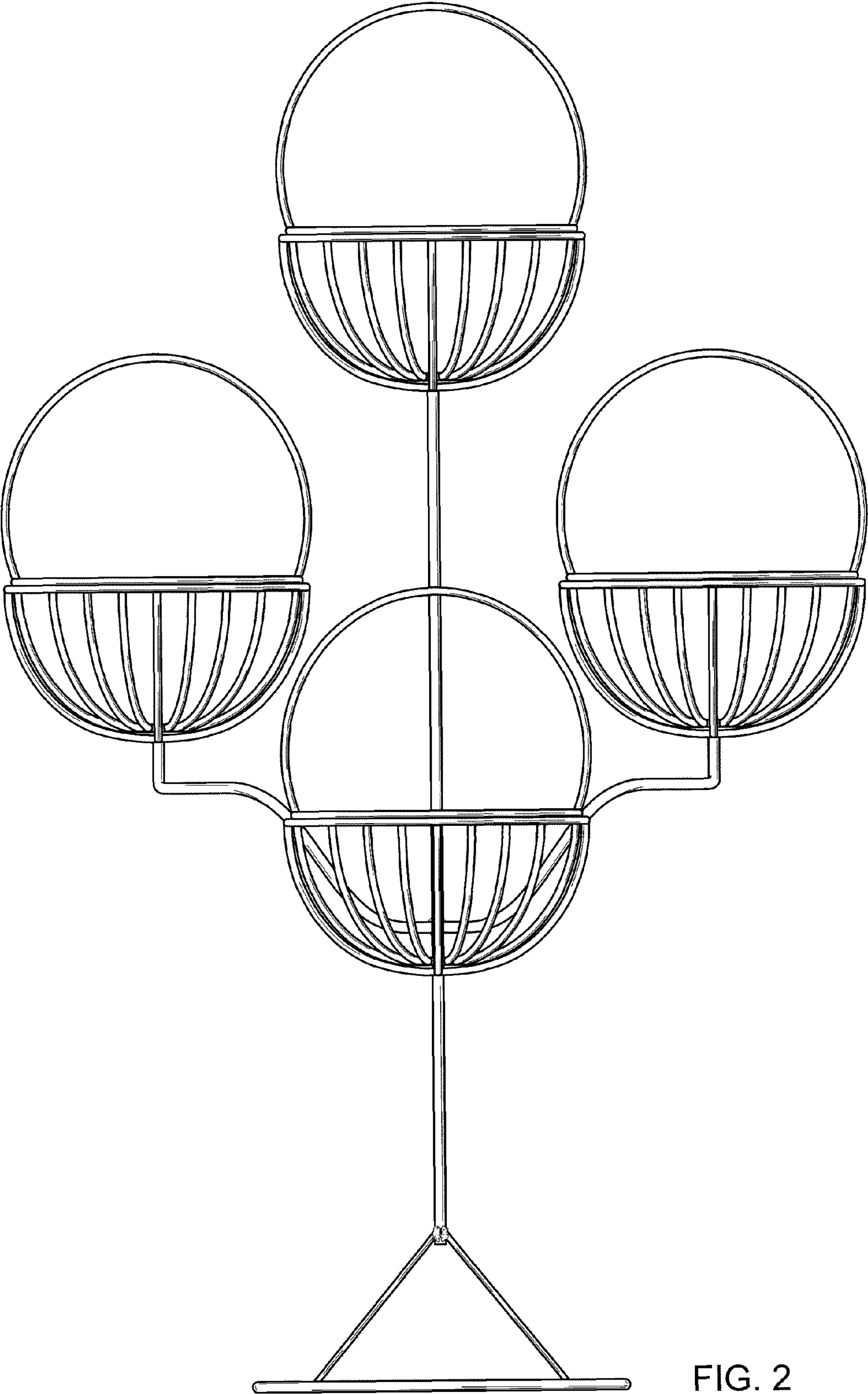


FIG. 2

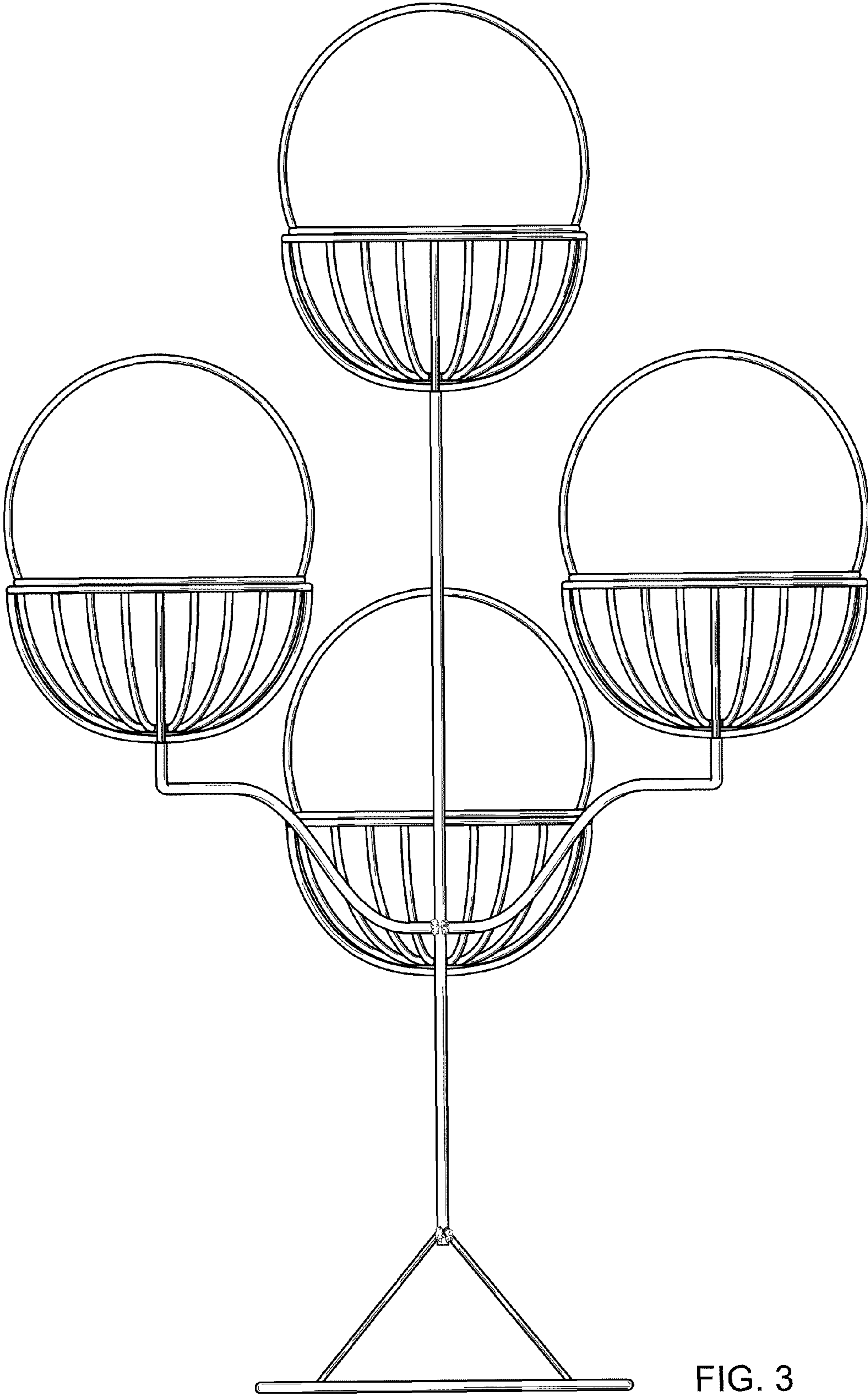


FIG. 3

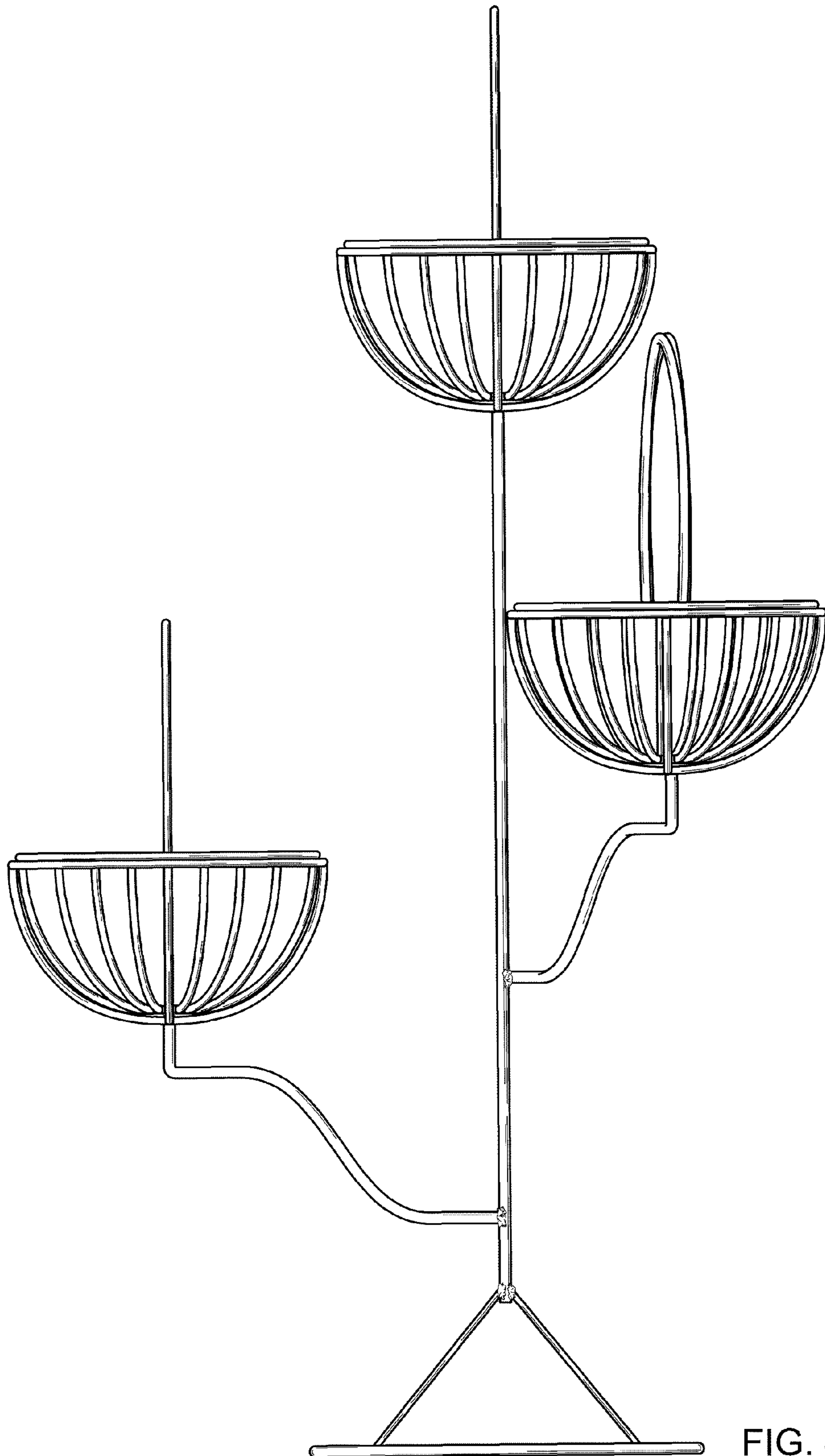


FIG. 4

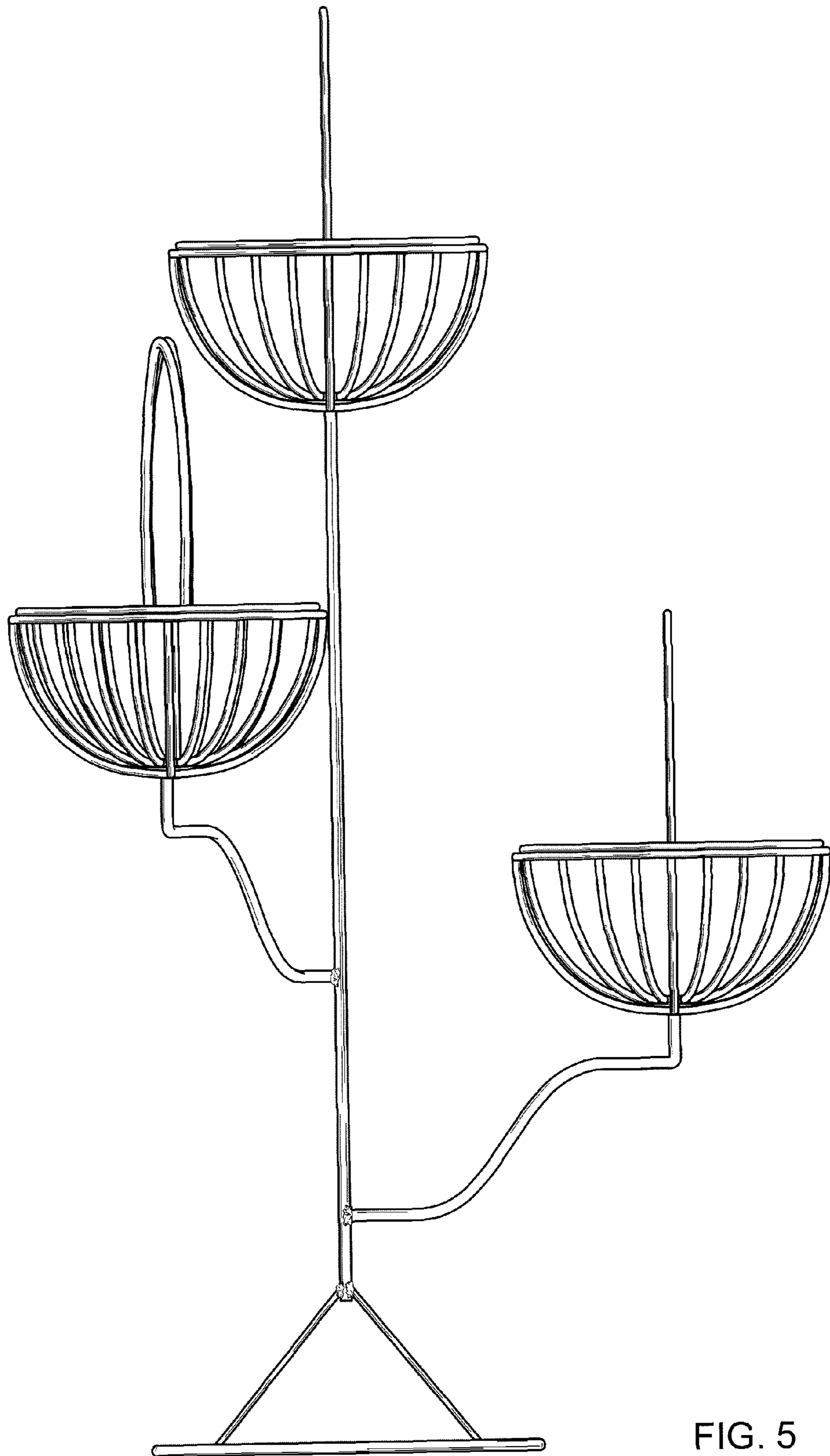


FIG. 5

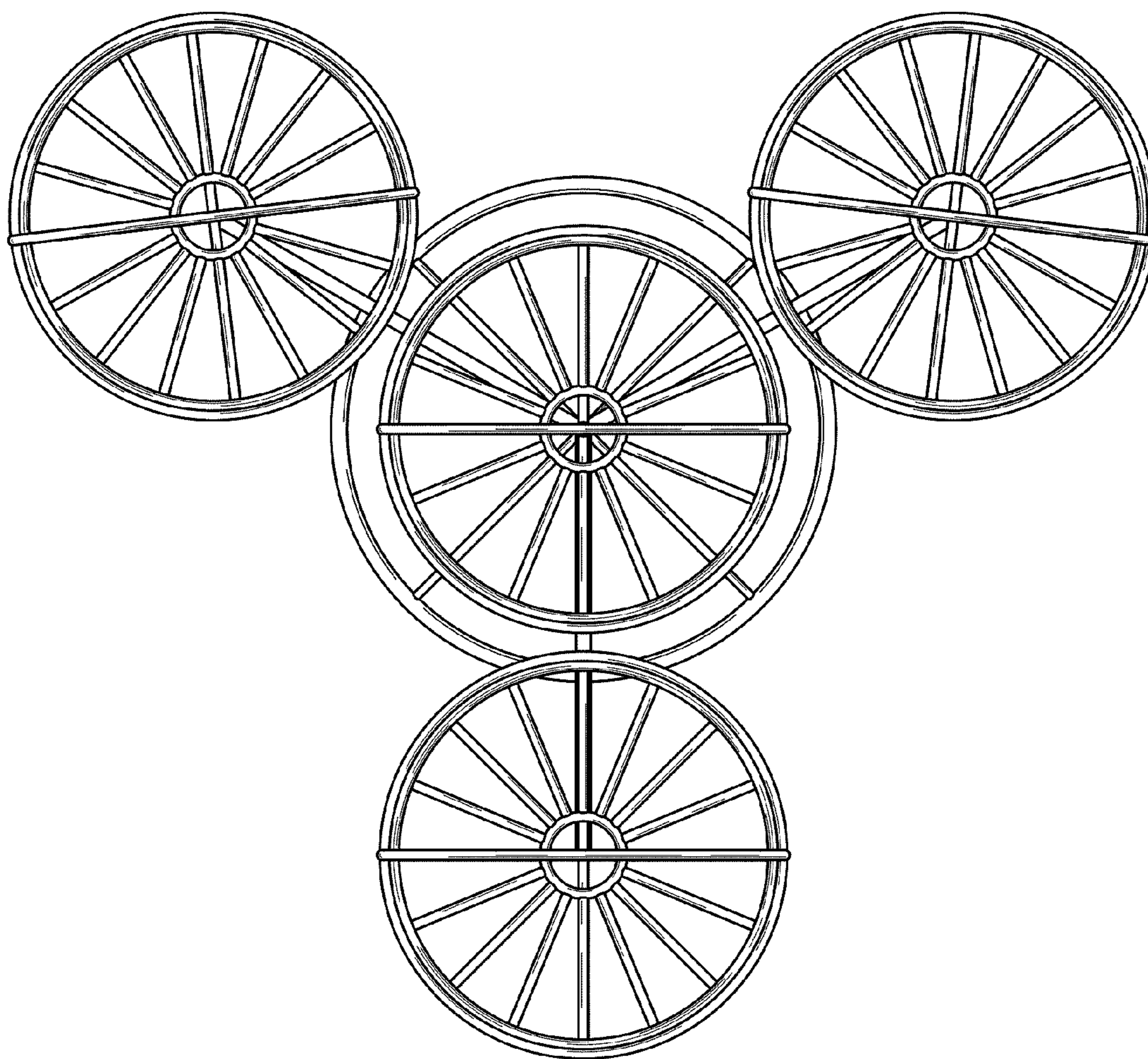


FIG. 6

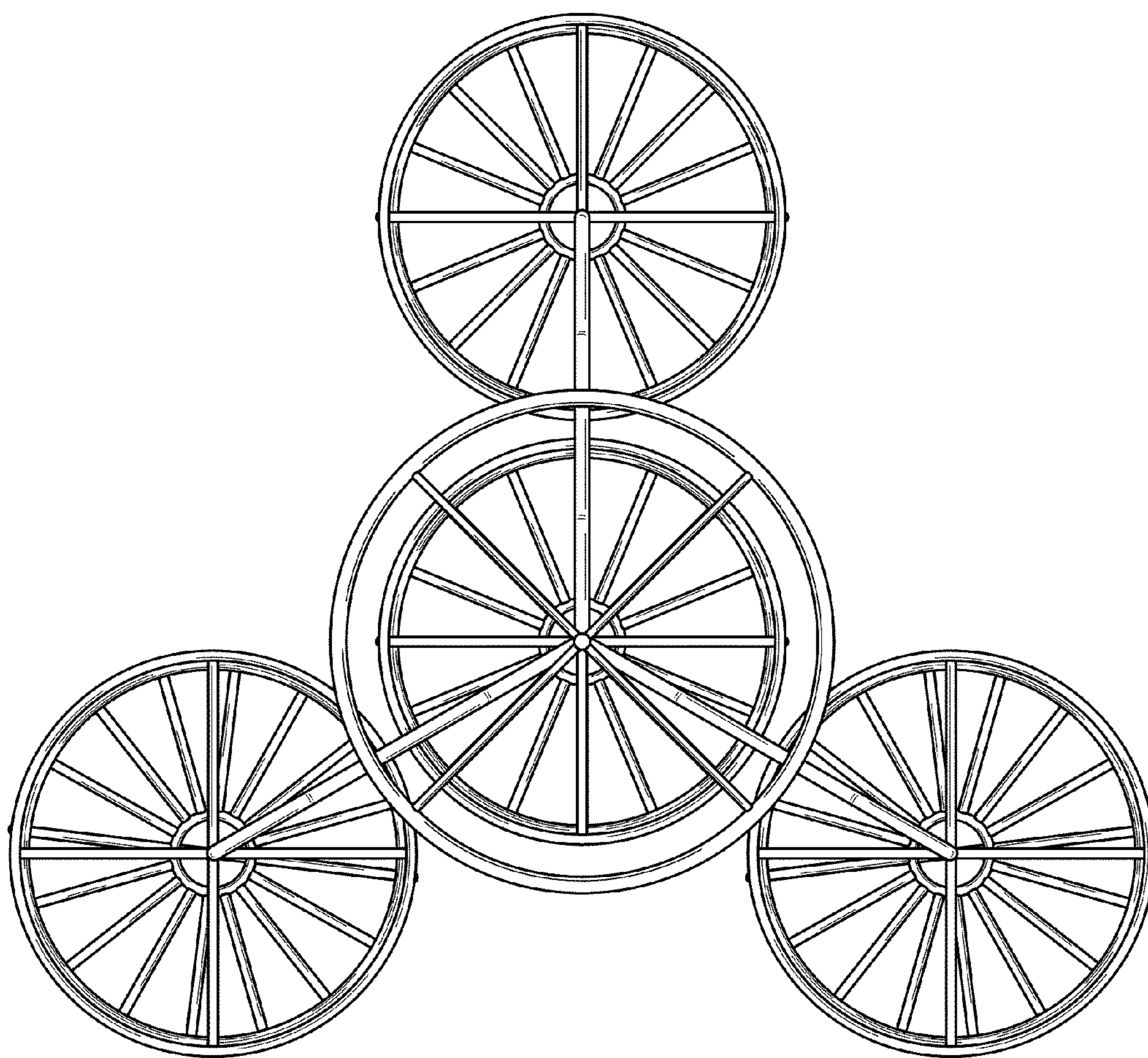


FIG. 7