



US00D641561S

(12) **United States Design Patent**
Tsai

(10) **Patent No.:** **US D641,561 S**
(45) **Date of Patent:** **** Jul. 19, 2011**

(54) **CHAIR FRAME**

(75) Inventor: **Hsuan-Chin Tsai, Chai-Yi Hsien (TW)**

(73) Assignee: **Fuh Shyan Co., Ltd., Chai-Yi Hsien (TW)**

(**) Term: **14 Years**

(21) Appl. No.: **29/361,287**

(22) Filed: **May 10, 2010**

(51) **LOC (9) Cl.** **06-01**

(52) **U.S. Cl.** **D6/366**

(58) **Field of Classification Search** D6/334-336,
D6/364, 365, 366, 367, 369, 374, 476, 379,
D6/380, 500-502; 297/411.2, 411.27, 411.36,
297/452.18, 452.29, 452.3, 452.31, 452.46
See application file for complete search history.

(56) **References Cited**

U.S. PATENT DOCUMENTS

D471,042 S * 3/2003 Nicolai et al. D6/502
D471,370 S * 3/2003 Schmitz et al. D6/366
D490,994 S * 6/2004 Schmitz et al. D6/366

D494,792 S * 8/2004 Schmitz et al. D6/502
7,249,802 B2 * 7/2007 Schmitz et al. 297/452.46
D575,085 S * 8/2008 Su D6/502
D627,983 S * 11/2010 Wakasugi et al. D6/366

* cited by examiner

Primary Examiner — Mimoso De

(74) *Attorney, Agent, or Firm* — Alan Kamrath; Kamrath & Associates PA

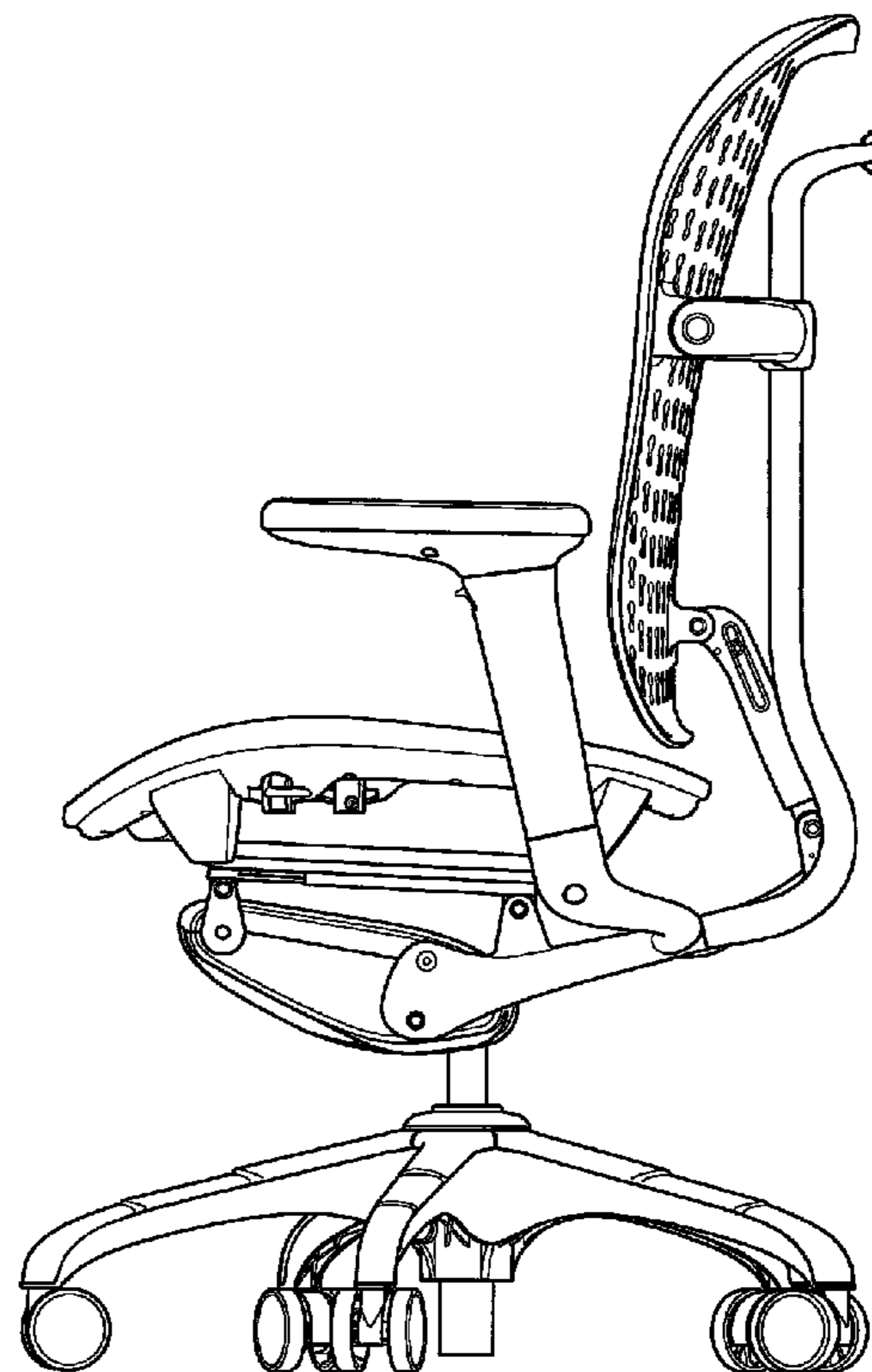
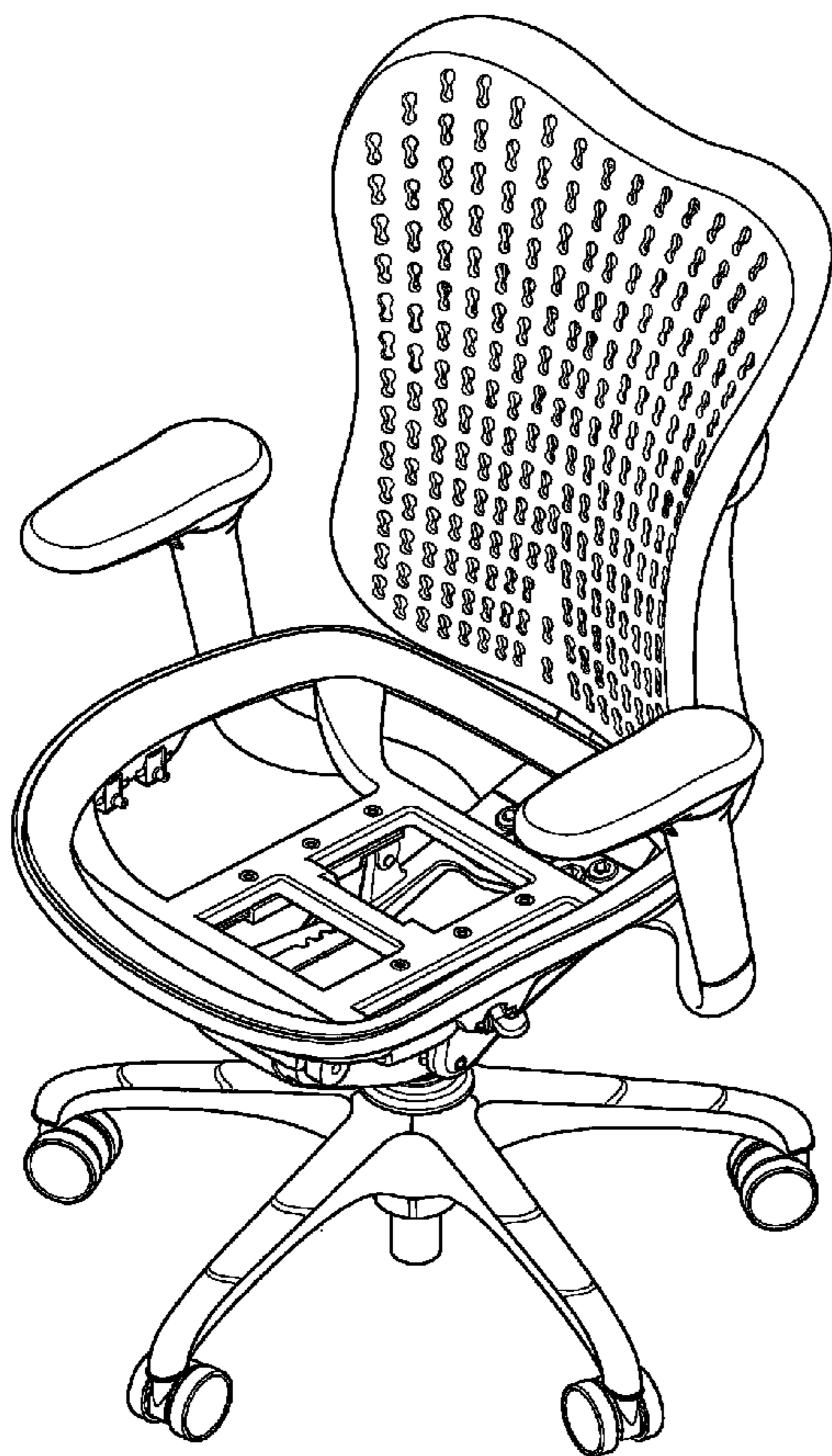
(57) **CLAIM**

The ornamental design for a chair frame, as shown and described.

DESCRIPTION

FIG. 1 is a perspective view of a chair frame, showing my new design;
FIG. 2 is a front elevational view thereof;
FIG. 3 is a rear elevational view thereof;
FIG. 4 is a left side view thereof;
FIG. 5 is a right side view thereof;
FIG. 6 is a top plan view thereof; and,
FIG. 7 is a bottom plan view thereof.

1 Claim, 7 Drawing Sheets



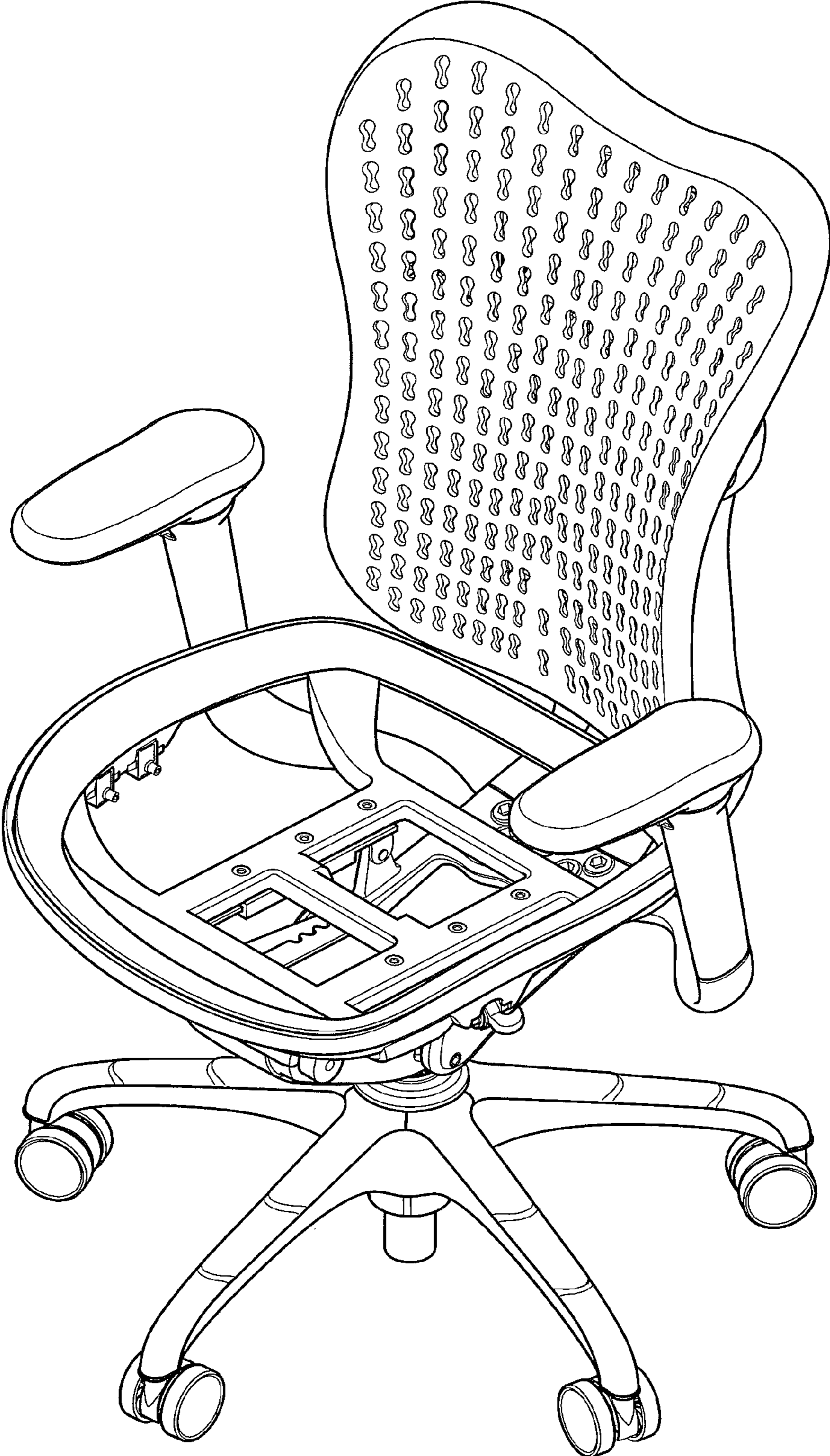


FIG. 1

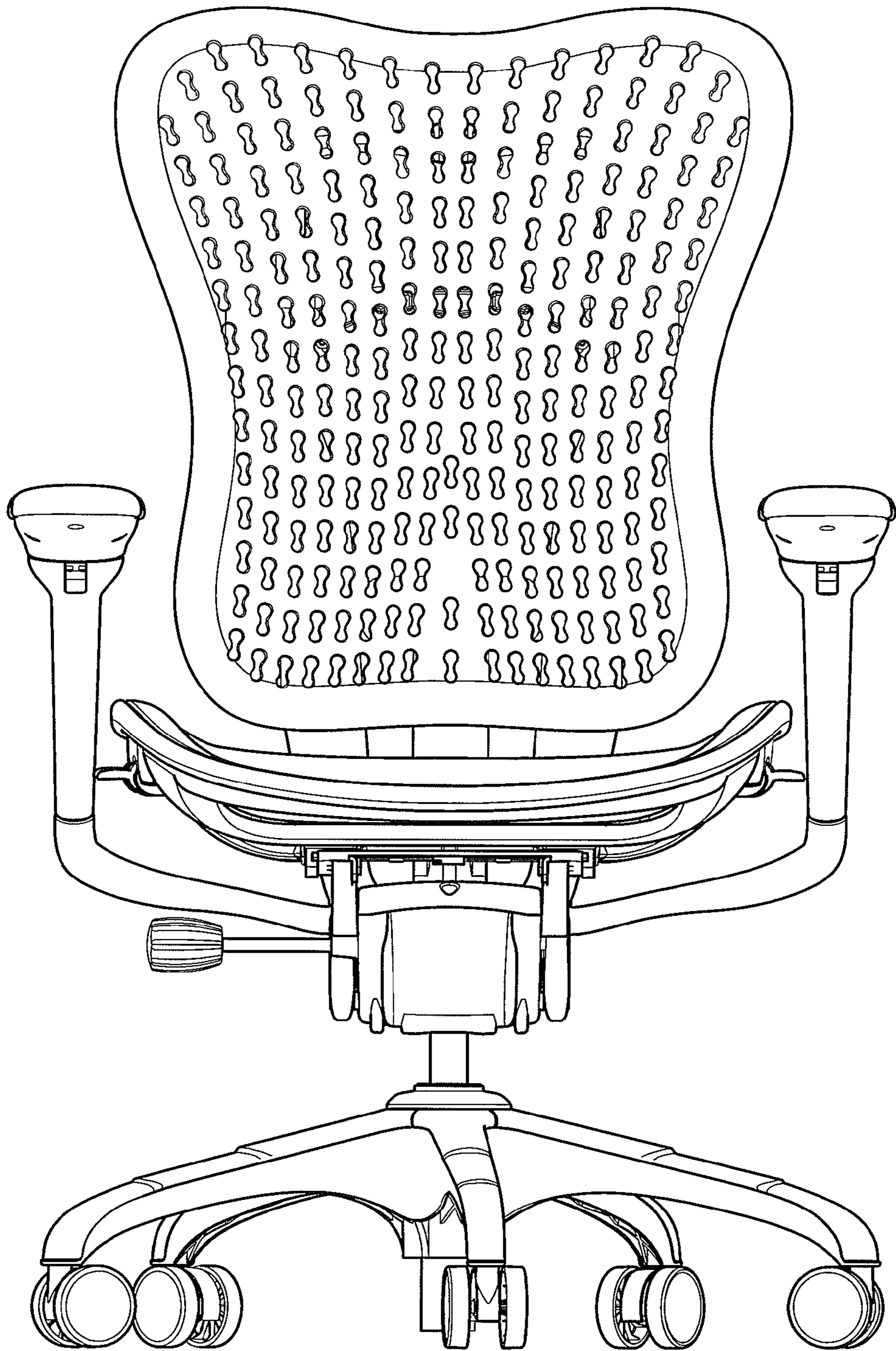


FIG. 2

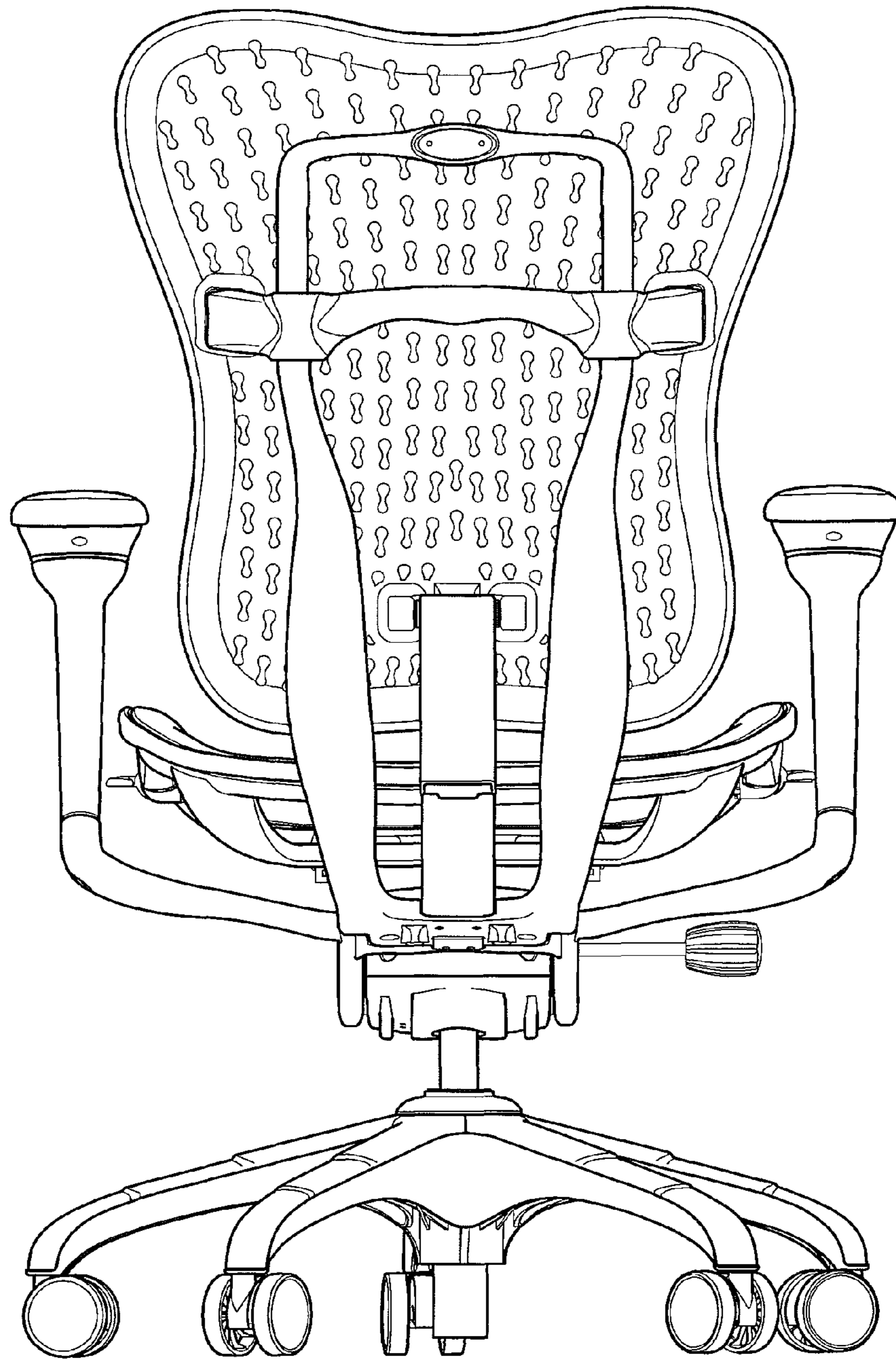


FIG. 3

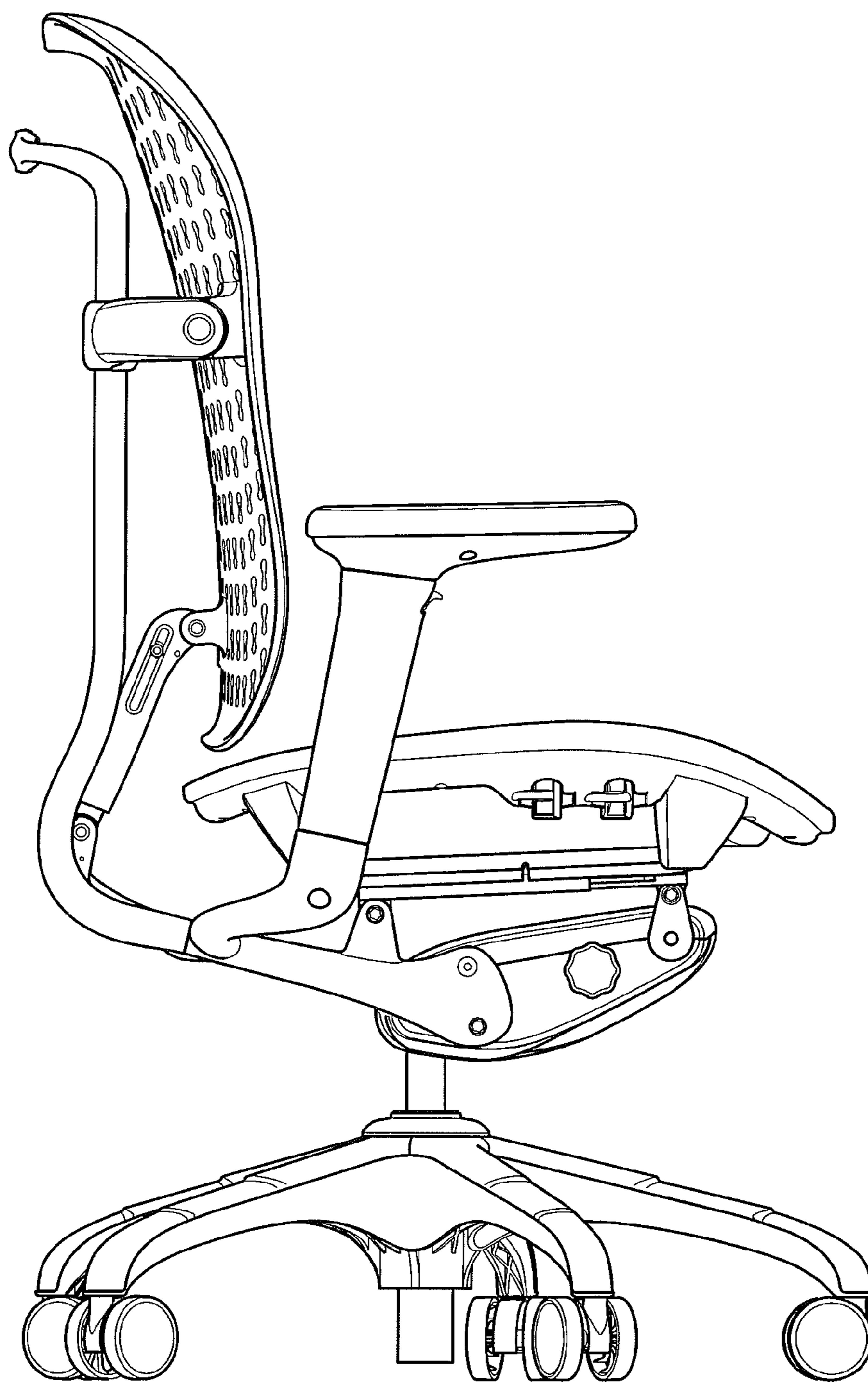


FIG. 4

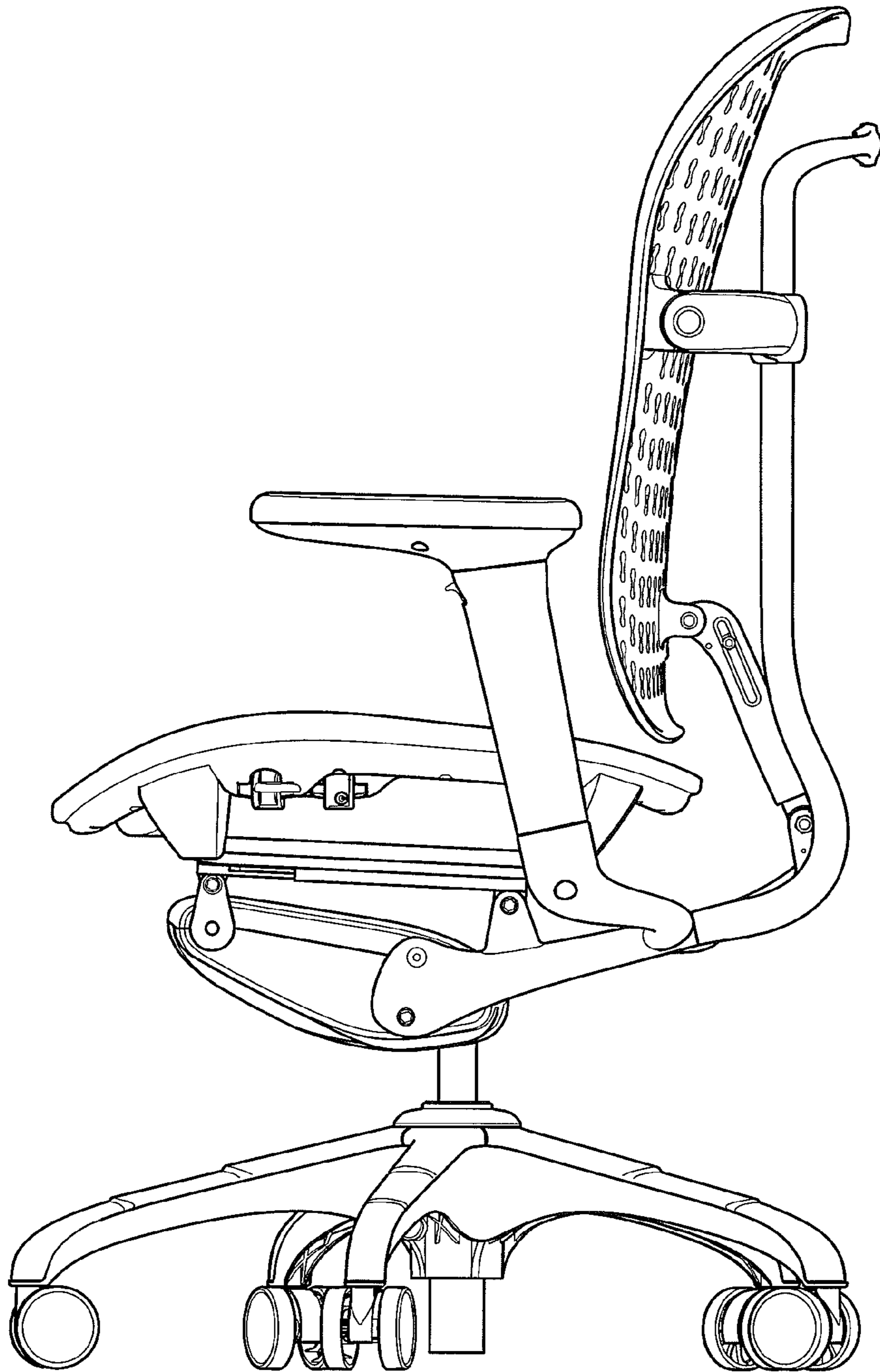


FIG. 5

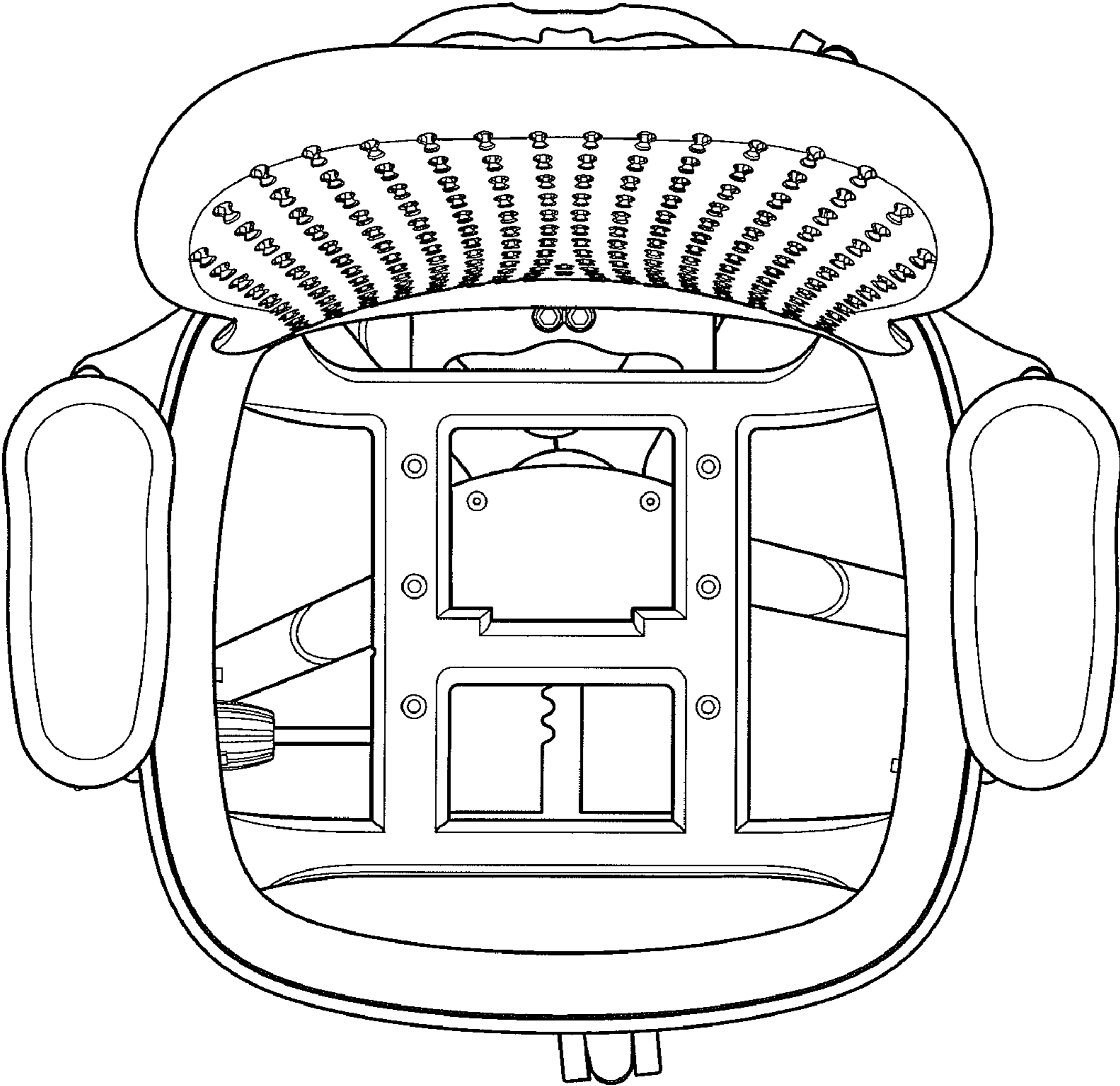


FIG. 6

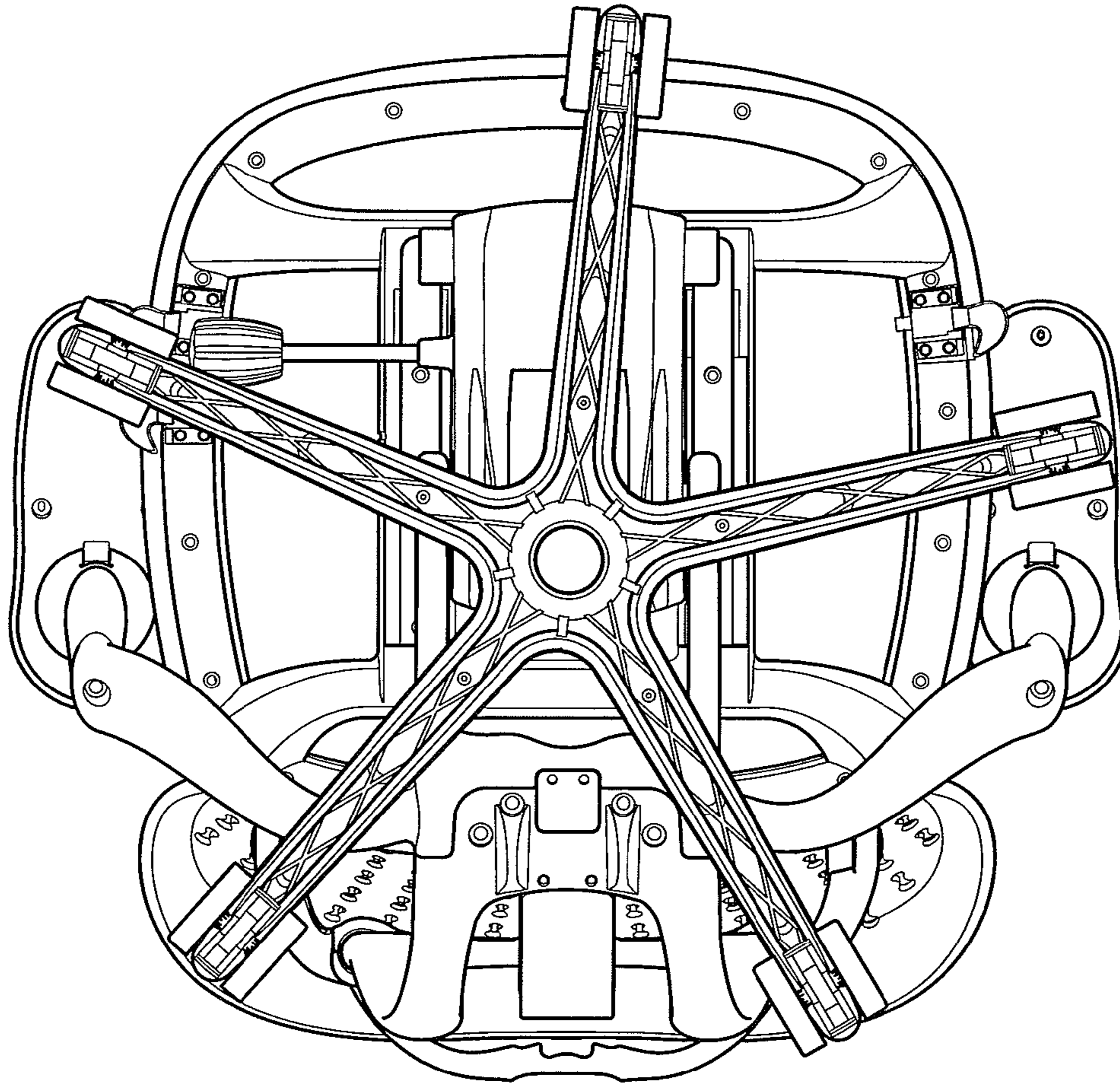


FIG. 7