



US00D641551S

(12) **United States Design Patent**
Deinert

(10) **Patent No.:** **US D641,551 S**
(45) **Date of Patent:** **** Jul. 19, 2011**

(54) **MULTIPLE BUSINESS CARD HOLDER**

(76) Inventor: **Cliff Deinert**, Jamestown, RI (US)

(**) Term: **14 Years**

(21) Appl. No.: **29/368,097**

(22) Filed: **Aug. 18, 2010**

(51) **LOC (9) Cl.** **03-01**

(52) **U.S. Cl.** **D3/247**

(58) **Field of Classification Search** D3/347;
D19/86, 90; 206/425, 449, 39.6

See application file for complete search history.

(56) **References Cited**

U.S. PATENT DOCUMENTS

D284,822 S	7/1986	Walsh
D324,883 S	3/1992	Demirjian
5,092,062 A	3/1992	Palka
D337,617 S	7/1993	Hall, Jr.
D390,053 S	2/1998	Waters
D392,806 S	3/1998	Lee

6,282,826 B1 9/2001 Richards
2006/0207129 A1 9/2006 Parsley
2007/0096455 A1 5/2007 Heap

Primary Examiner — Holly Baynham

(74) *Attorney, Agent, or Firm* — John H. Pearson, Esq.;
Walter F. Dawson, Esq.; Pearson & Pearson, LLP.

(57) **CLAIM**

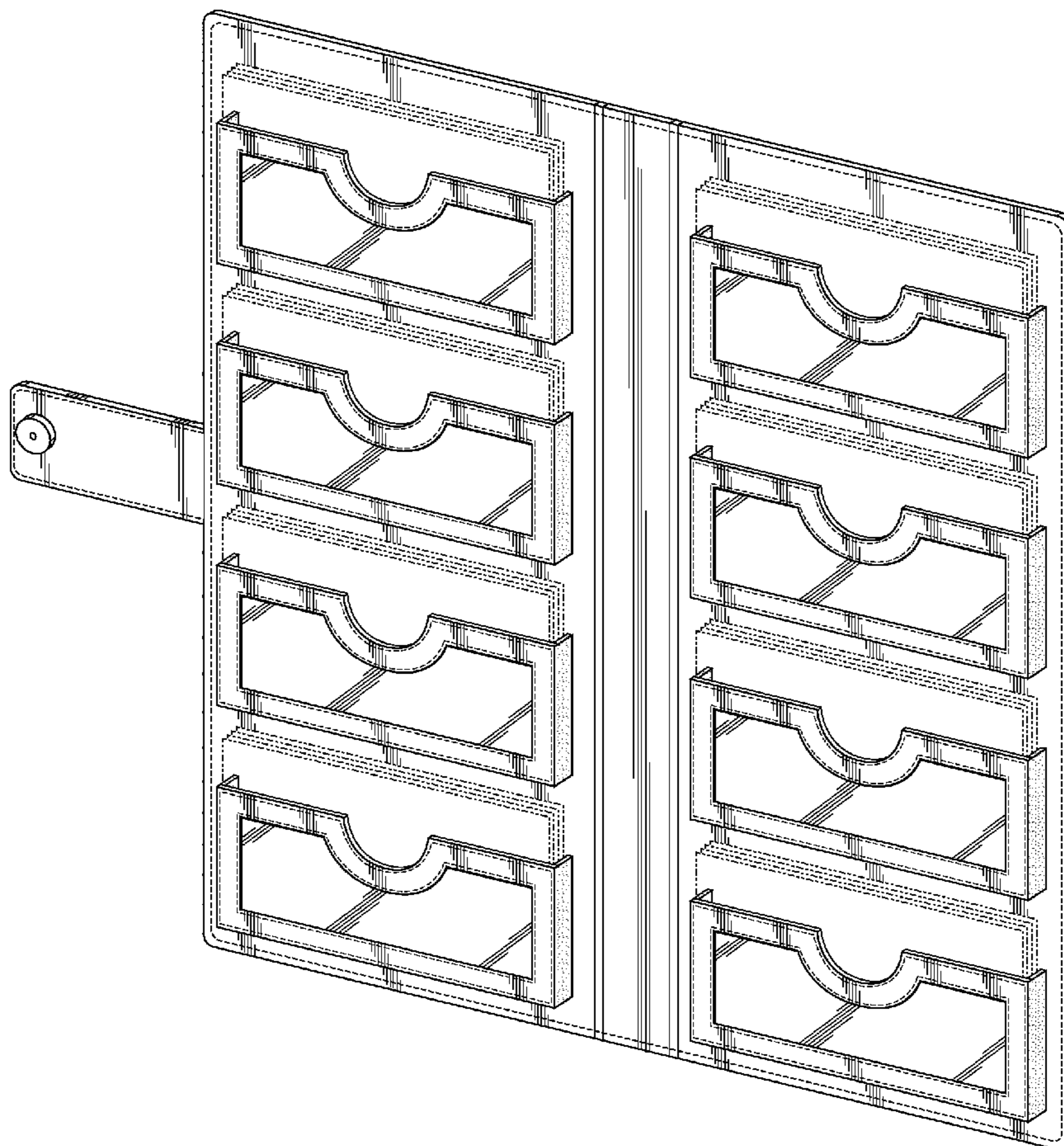
The ornamental design for a multiple business card holder, as shown and described.

DESCRIPTION

FIG. 1 is a front perspective view of a multiple business card holder showing my new design;
FIG. 2 is a front elevational view thereof;
FIG. 3 is a back elevational view thereof;
FIG. 4 is a left side elevational view thereof;
FIG. 5 is a right side elevational view thereof;
FIG. 6 is a top plan view thereof; and,
FIG. 7 is a bottom plan view thereof.

The broken line showing of multiple business cards in pockets is included for purpose of illustrating environment and forms no part of the claimed design.

1 Claim, 5 Drawing Sheets



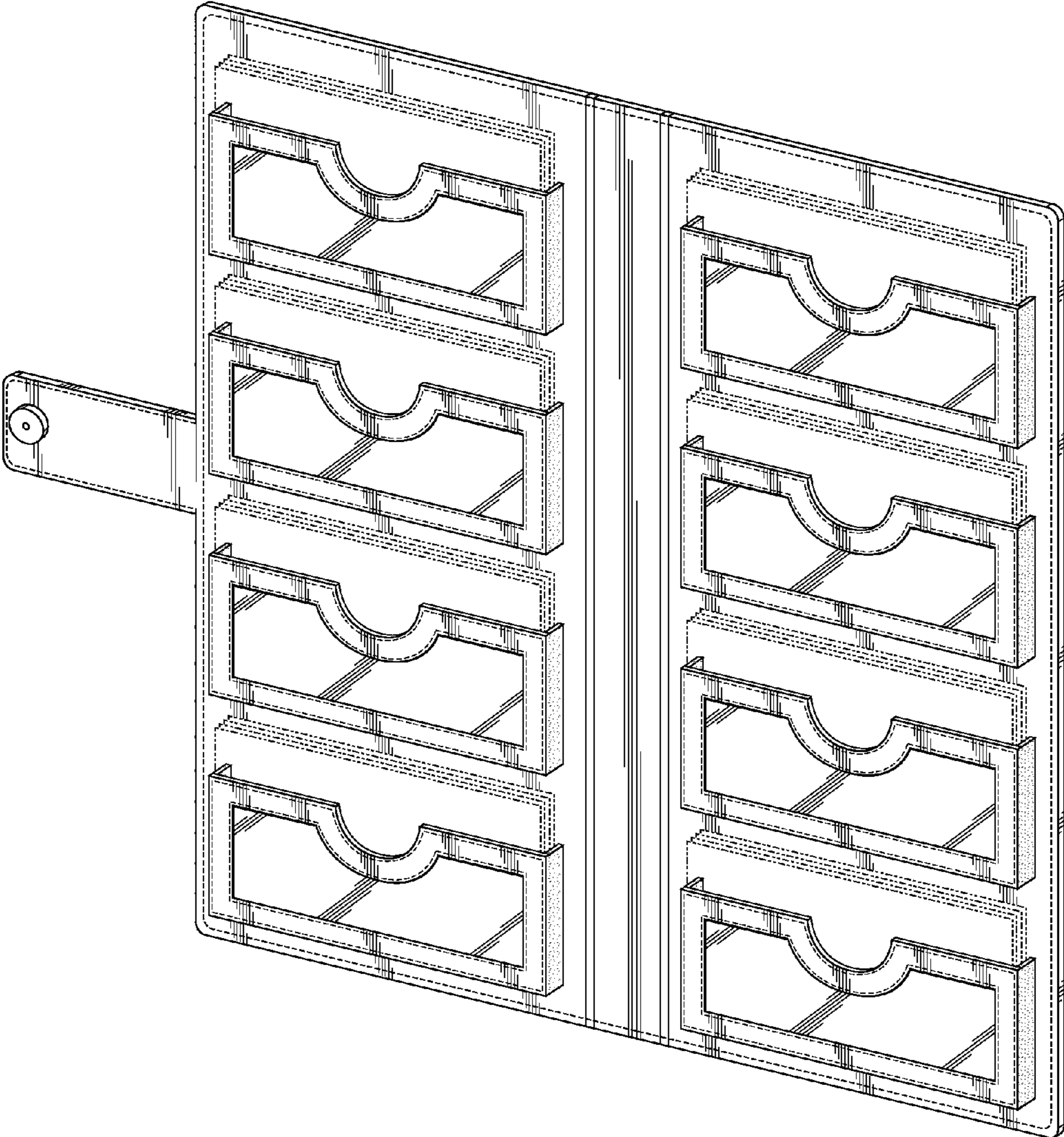


FIG. 1

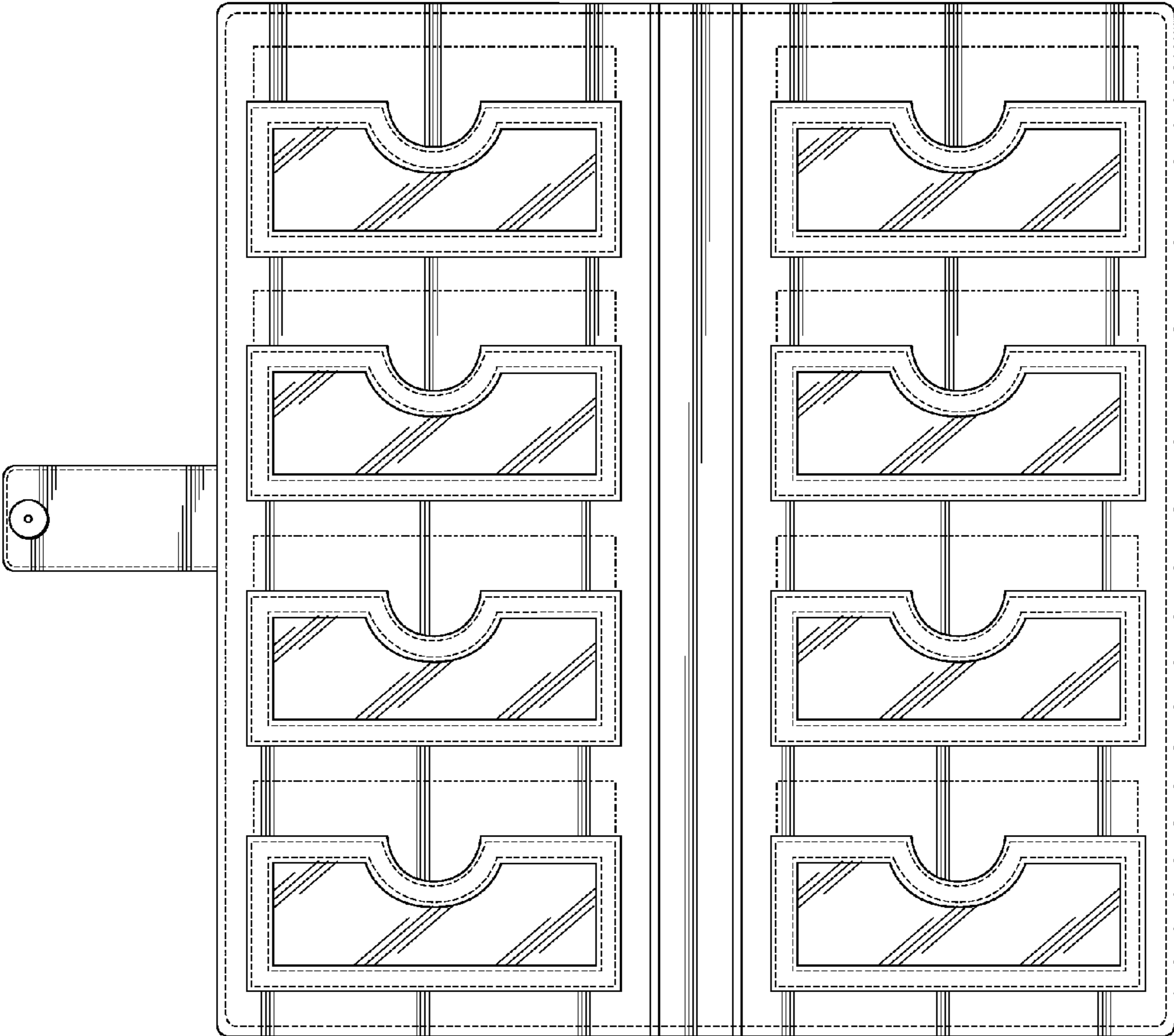


FIG. 2

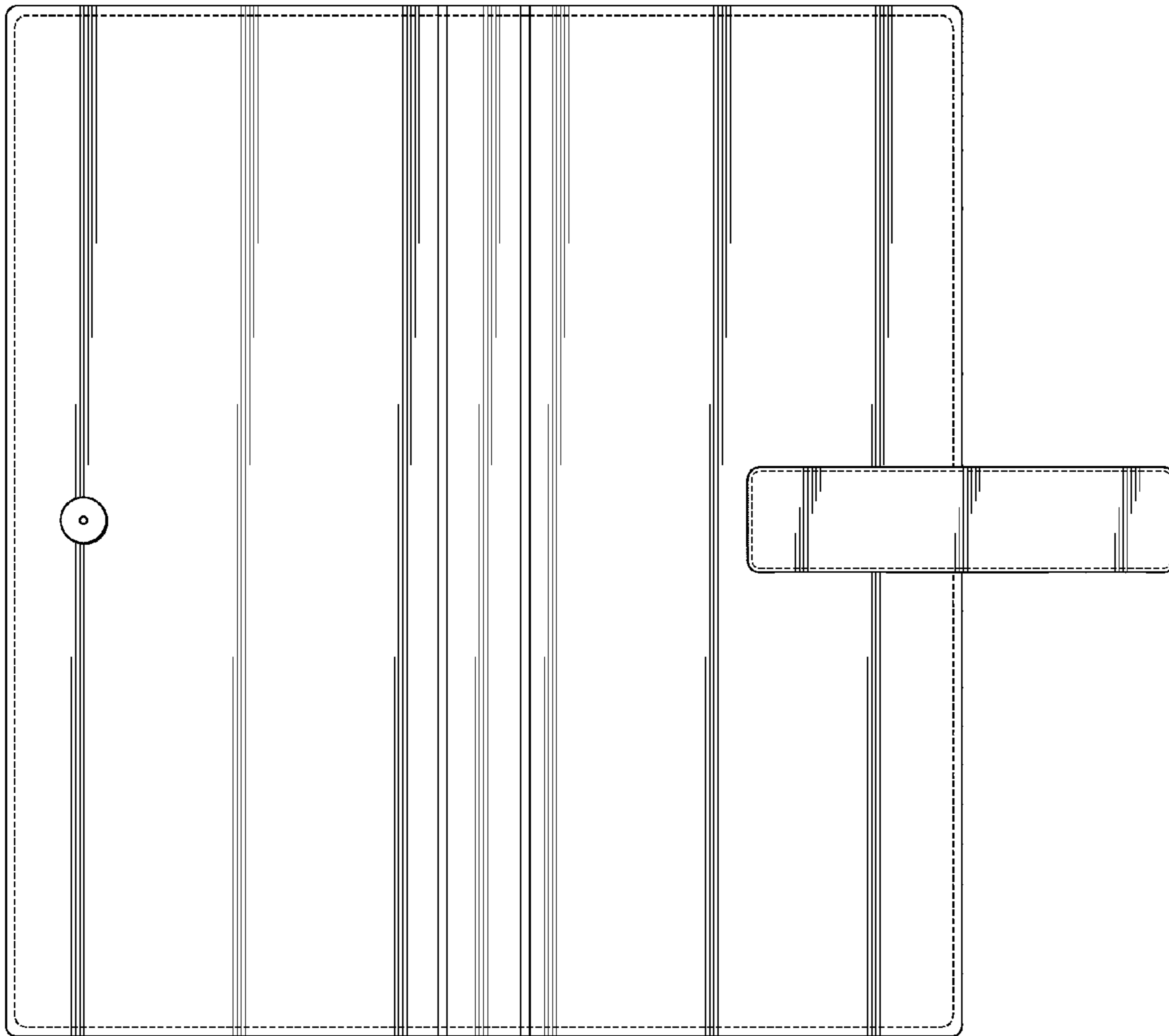


FIG. 3

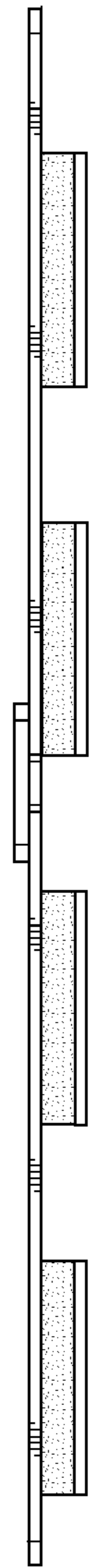


FIG. 4

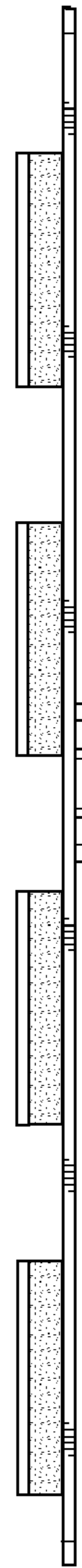


FIG. 5

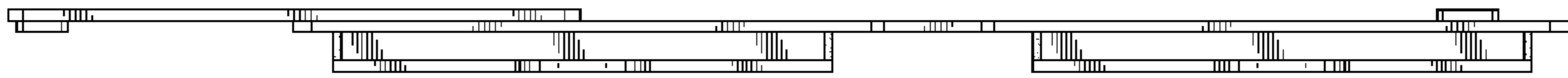


FIG. 6

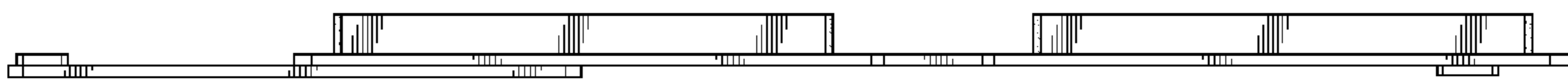


FIG. 7