



US00D641543S

(12) **United States Design Patent**  
**Goldfine**

(10) **Patent No.:** **US D641,543 S**

(45) **Date of Patent:** **\*\* Jul. 19, 2011**

(54) **BIB**

(76) Inventor: **Andrew Goldfine**, Duluth, MN (US)

(\*\*) Term: **14 Years**

(21) Appl. No.: **29/378,175**

(22) Filed: **Nov. 1, 2010**

(51) **LOC (9) Cl.** ..... **02-02**

(52) **U.S. Cl.** ..... **D2/864**

(58) **Field of Classification Search** ..... D2/860-864;  
2/46, 48-49.2, 49.4

See application file for complete search history.

(56) **References Cited**

U.S. PATENT DOCUMENTS

D284,709	S *	7/1986	Marconi	.....	D2/862
4,660,225	A *	4/1987	Kahn	.....	2/49.4
4,663,779	A *	5/1987	Bible	.....	2/49.3
D310,597	S *	9/1990	Long et al.	.....	D2/864
D345,852	S *	4/1994	Nelson	.....	D2/861
D357,568	S *	4/1995	Schottland	.....	D2/861
6,000,056	A *	12/1999	Brady et al.	.....	2/49.1
6,237,150	B1 *	5/2001	Lucas	.....	2/49.1
D446,384	S *	8/2001	Cruz	.....	D2/864
6,954,942	B2 *	10/2005	Austin	.....	2/49.1

D591,484 S \* 5/2009 Lindh ..... D2/864  
7,526,815 B1 \* 5/2009 Kelly ..... 2/49.1  
2001/0047532 A1 \* 12/2001 Marrero ..... 2/49.1

\* cited by examiner

*Primary Examiner* — Ian Simmons

*Assistant Examiner* — Rashida Johnson

(74) *Attorney, Agent, or Firm* — Skinner and Associates

(57) **CLAIM**

The ornamental design for a bib, as shown and described.

**DESCRIPTION**

FIG. 1 is a perspective view of a bib showing my new design;

FIG. 2 is a front view thereof.

FIG. 3 is a back view thereof.

FIG. 4 is a side view thereof.

FIG. 5 is an opposite side view thereof.

FIG. 6 is a top end view thereof.

FIG. 7 is a bottom end view thereof; and,

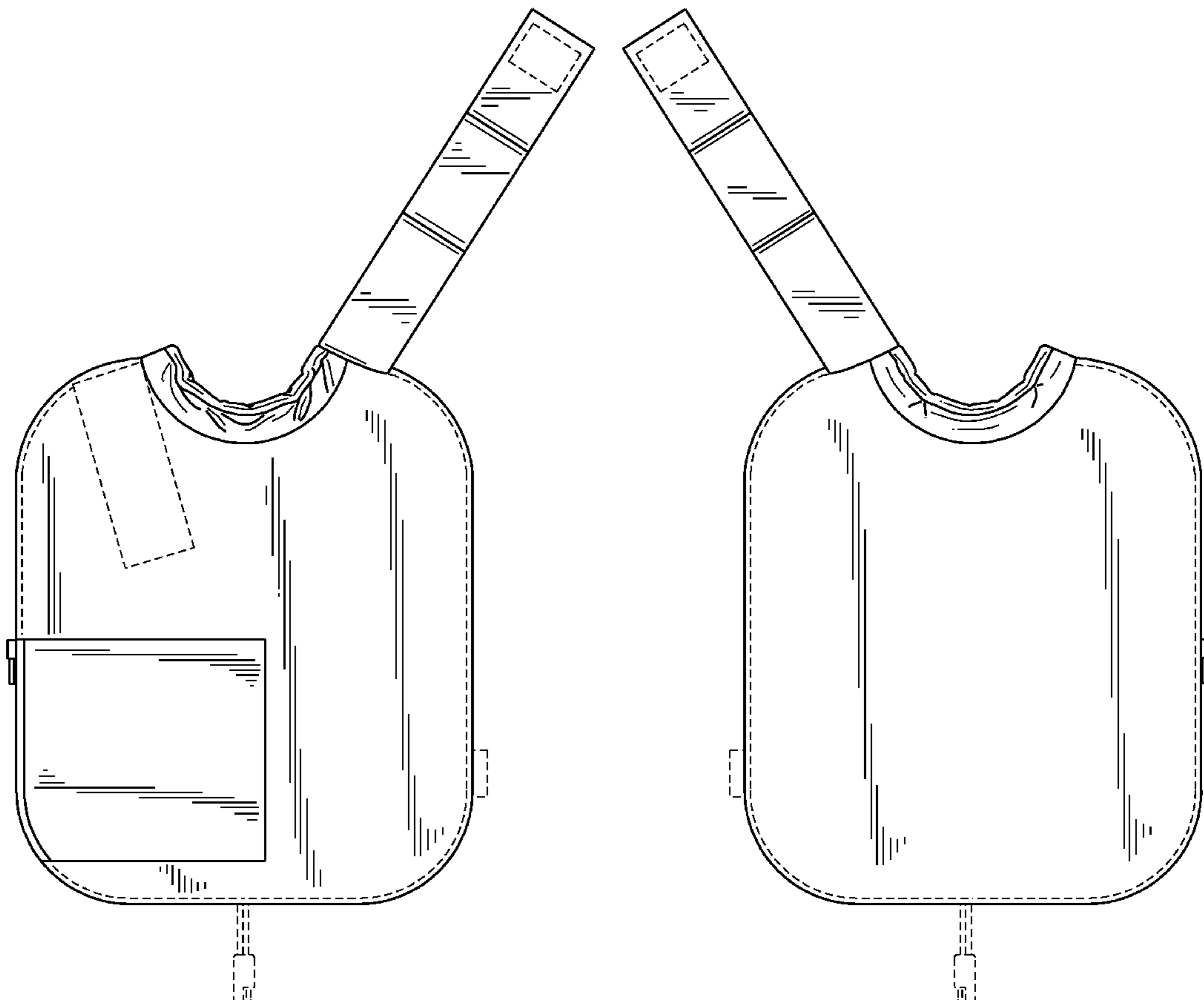
FIG. 8 show the bib in use on a wearer (in phantom).

Throughout the views, the broken lines showing an electrical connector, and the broken lines in FIG. 8 showing a human form, illustrate the design in use and form no part of the claim.

The remaining broken lines on the surface of the bib represent stitching, which also forms no part of the claim.

The design is for a bib which is particularly useful to keep the rider of a motorcycle warm. The bib may be connected to an external heating system.

**1 Claim, 6 Drawing Sheets**



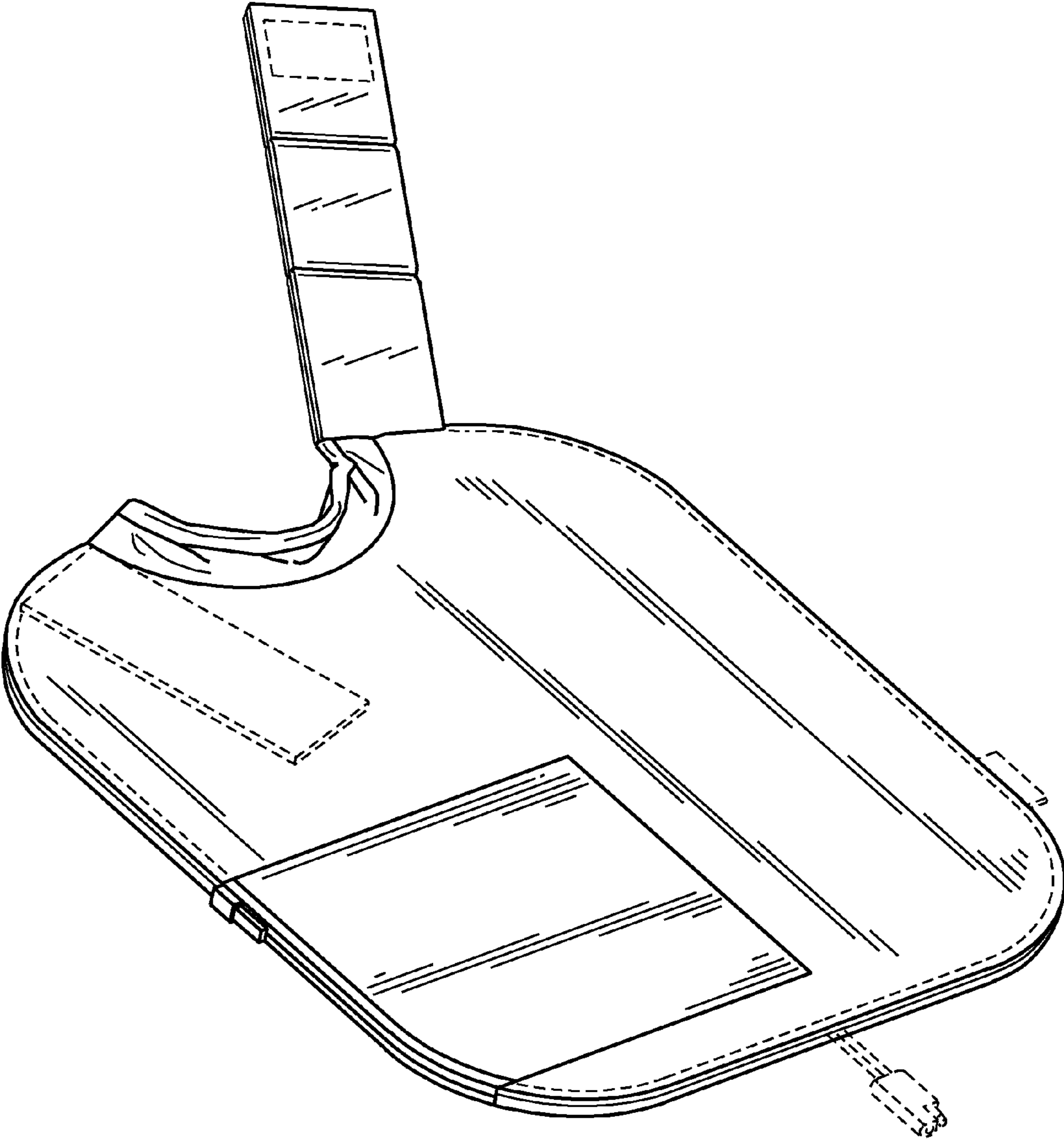


FIG. 1

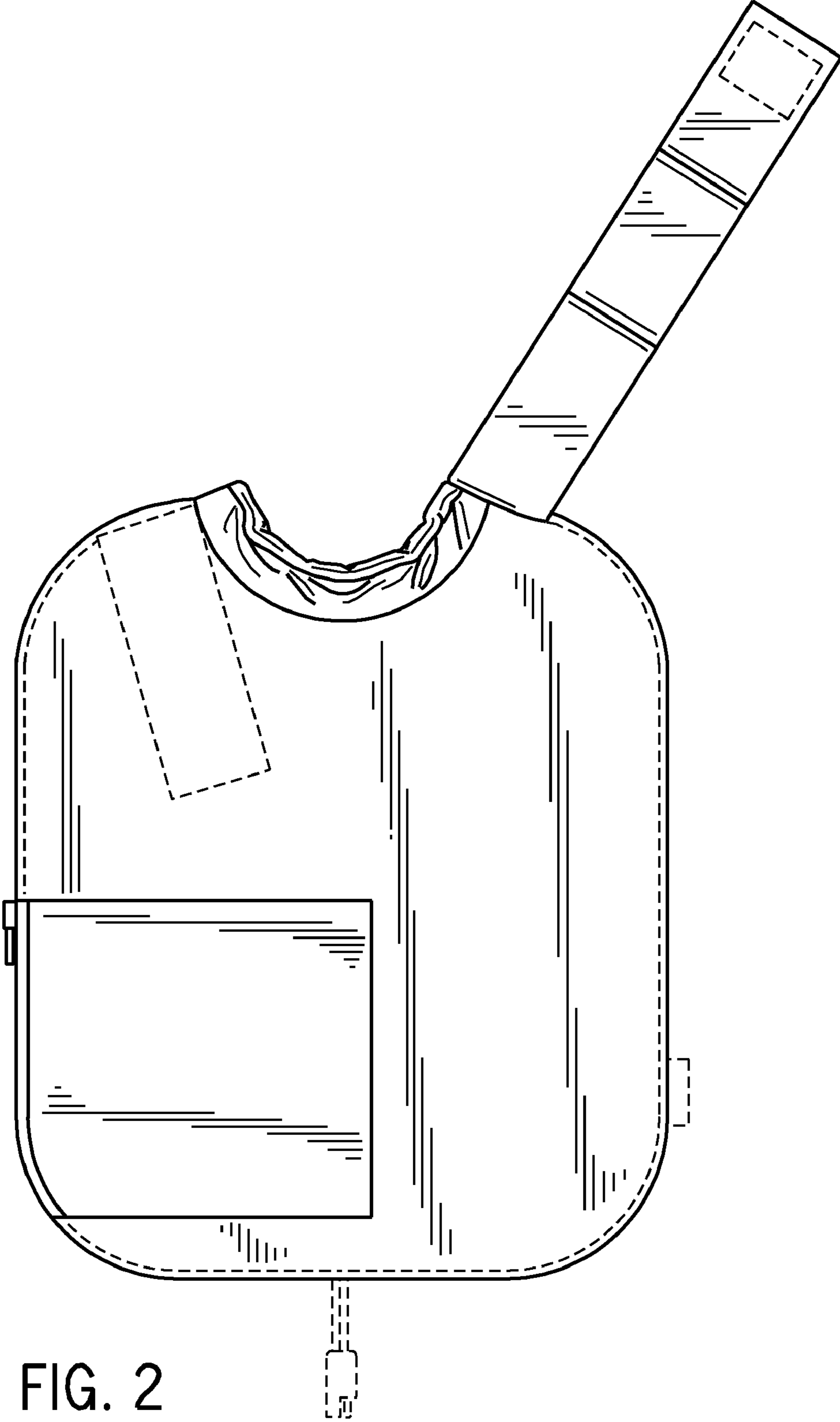


FIG. 2

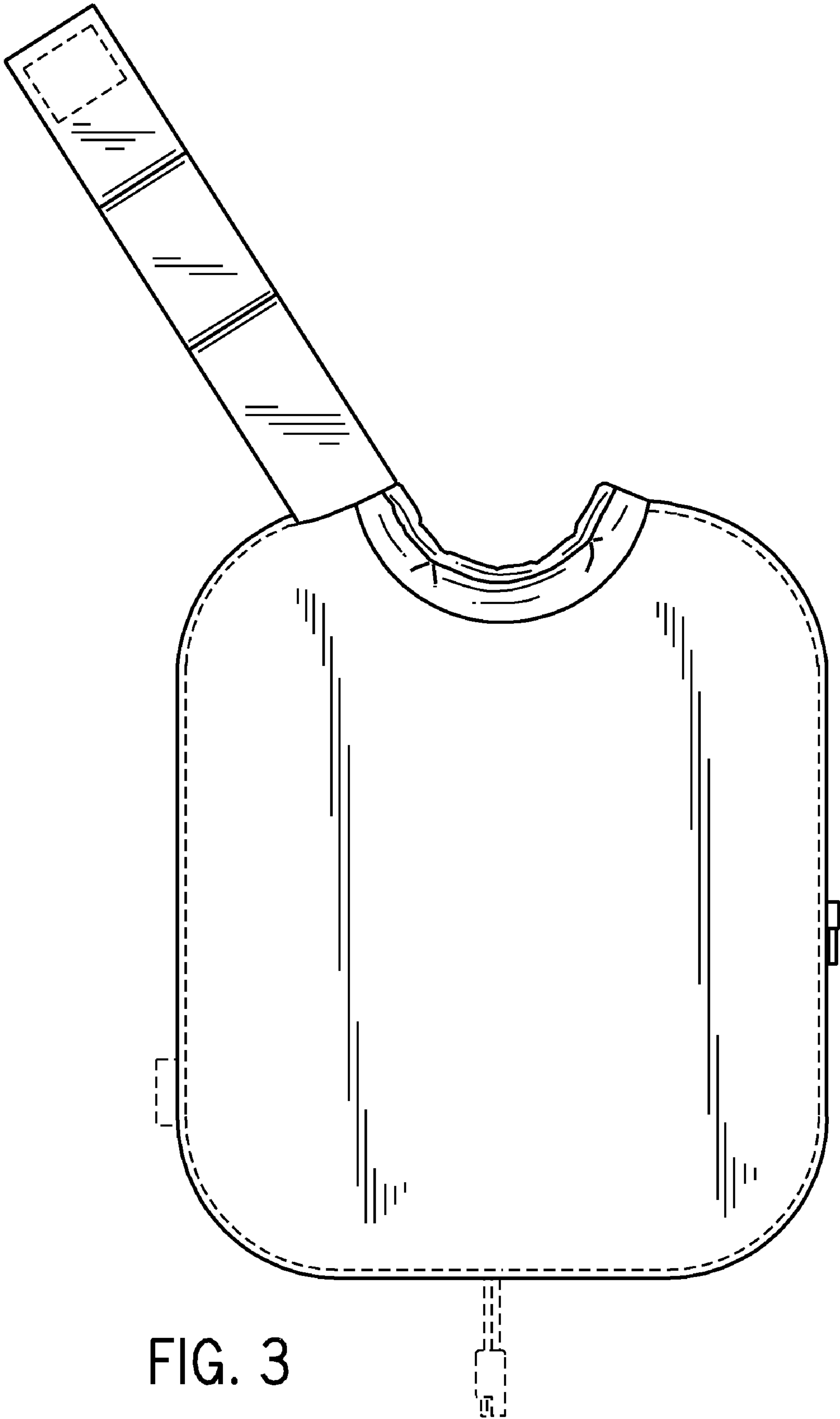


FIG. 3

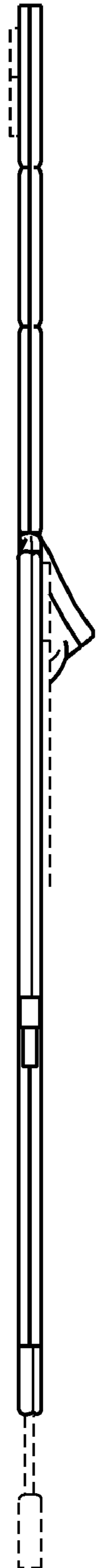


FIG. 4

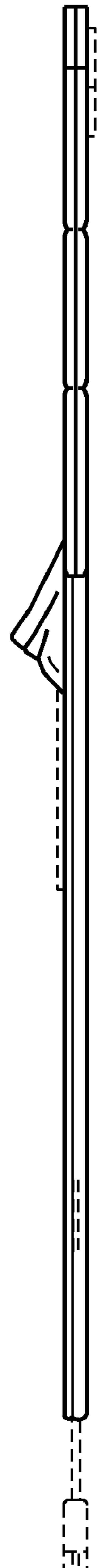


FIG. 5



FIG. 6



FIG. 7

FIG. 8

