



US00D641541S

(12) **United States Design Patent**  
**Abrams et al.**

(10) **Patent No.:** **US D641,541 S**

(45) **Date of Patent:** **\*\* Jul. 19, 2011**

- (54) **MUMMY-STYLE SLEEPING BAG**
- (75) Inventors: **Brian Abrams**, Spokane, WA (US); **Eric Sachs**, Rossland (CA)
- (73) Assignee: **Blackhawk Industries Product Group Unlimited LLC**, Norfolk, VA (US)
- (\*\*) Term: **14 Years**
- (21) Appl. No.: **29/370,729**
- (22) Filed: **Aug. 27, 2010**  
(Under 37 CFR 1.47)

- D624,279 S \* 9/2010 Adams et al. .... D2/719
  - 7,810,170 B1 \* 10/2010 Guthrie ..... 2/69.5
  - D626,309 S \* 11/2010 Abrams et al. .... D2/719
  - 2007/0061965 A1 \* 3/2007 Crawford ..... 5/413 R
  - 2008/0078027 A1 \* 4/2008 Smith ..... 5/413 R
  - 2010/0313323 A1 \* 12/2010 Tennelle ..... 2/69
- \* cited by examiner

*Primary Examiner* — Ian Simmons  
*Assistant Examiner* — Rashida Johnson  
 (74) *Attorney, Agent, or Firm* — Wooten & Shaddock, PLC

(57) **CLAIM**  
 The ornamental design for a sleeping bag, substantially as shown and described.

**Related U.S. Application Data**

- (63) Continuation-in-part of application No. 29/294,913, filed on Feb. 2, 2008, now Pat. No. Des. 624,279.
- (51) **LOC (9) Cl.** ..... **02-02**
- (52) **U.S. Cl.** ..... **D2/719**
- (58) **Field of Classification Search** ..... D2/718, D2/719; 2/69, 69.5; D6/603; 5/413 R  
See application file for complete search history.

**DESCRIPTION**

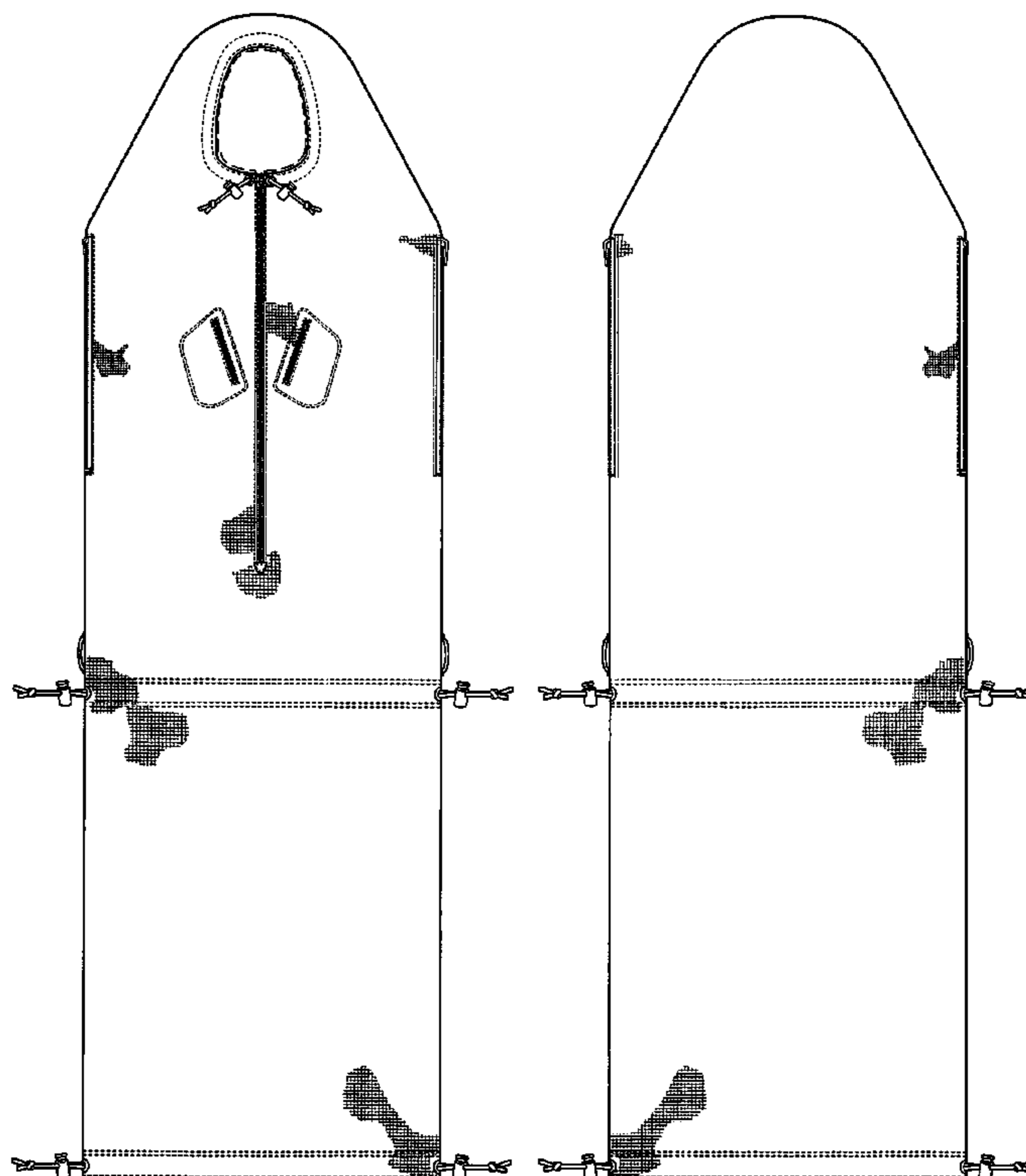
FIG. 1 is a front view of a sleeping bag, showing our new design;  
 FIG. 2 is a rear view thereof;  
 FIG. 3 is a left side view thereof;  
 FIG. 4 is a right side view thereof;  
 FIG. 5 is a top view thereof;  
 FIG. 6 is a bottom view thereof;  
 FIG. 7 is a front view of a second embodiment of the sleeping bag, showing an expanded lower portion; and,  
 FIG. 8 is a rear view of FIG. 7.  
 The broken lines in FIGS. 1, 6 and 7, circumscribing the hood opening and bottom opening, represent the portions of the sleeping bag, which form no part of the claim design. The remaining broken lines, shown throughout the views, represent stitching, which forms no part of the claim design.

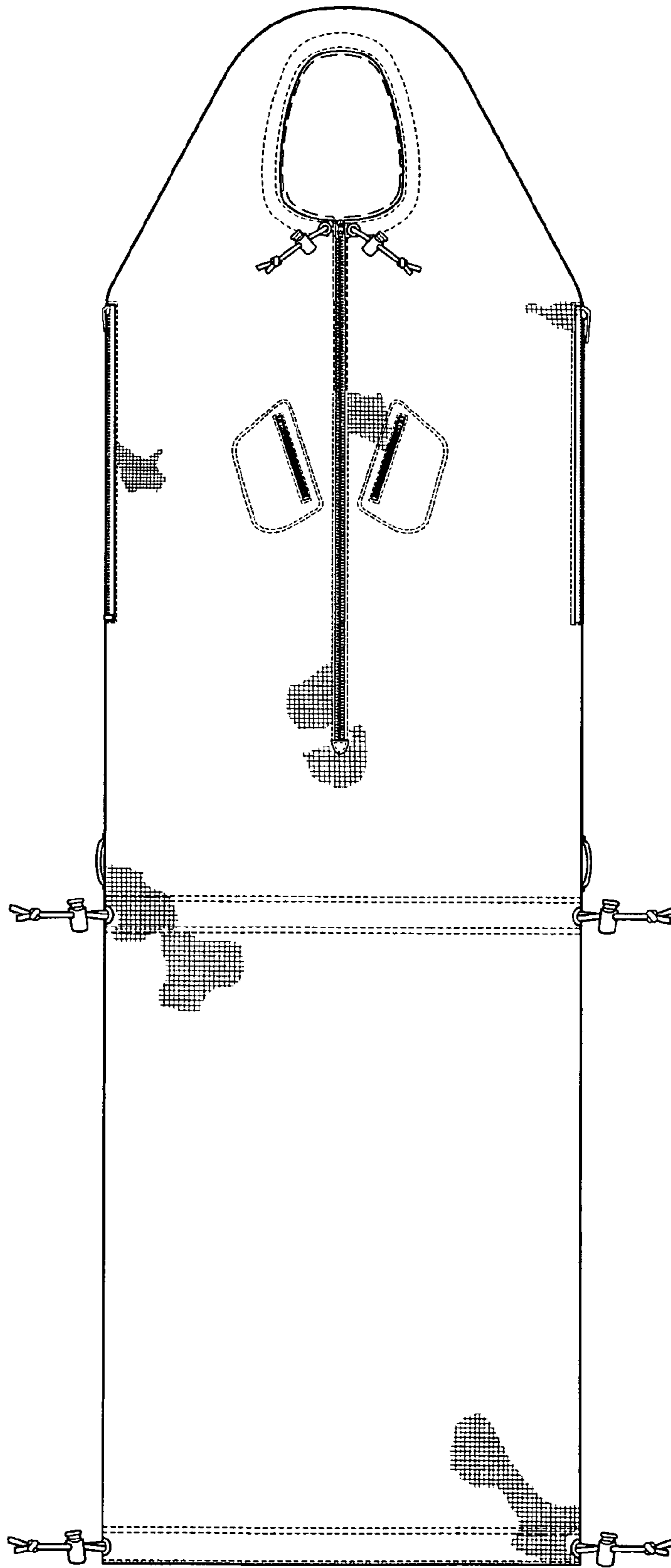
(56) **References Cited**

**U.S. PATENT DOCUMENTS**

- 2,478,765 A \* 8/1949 Kim ..... 607/95
- 3,258,781 A \* 7/1966 Klein ..... 2/88
- 3,523,302 A \* 8/1970 Rabedaux ..... 5/413 R
- 5,560,043 A \* 10/1996 Armstrong ..... 2/69.5
- 5,881,405 A \* 3/1999 Garrigues ..... 5/413 R
- 6,272,683 B1 \* 8/2001 Symms et al. .... 2/69.5
- 6,981,282 B2 \* 1/2006 Marty et al. .... 2/69

**1 Claim, 6 Drawing Sheets**





*FIG. 1*

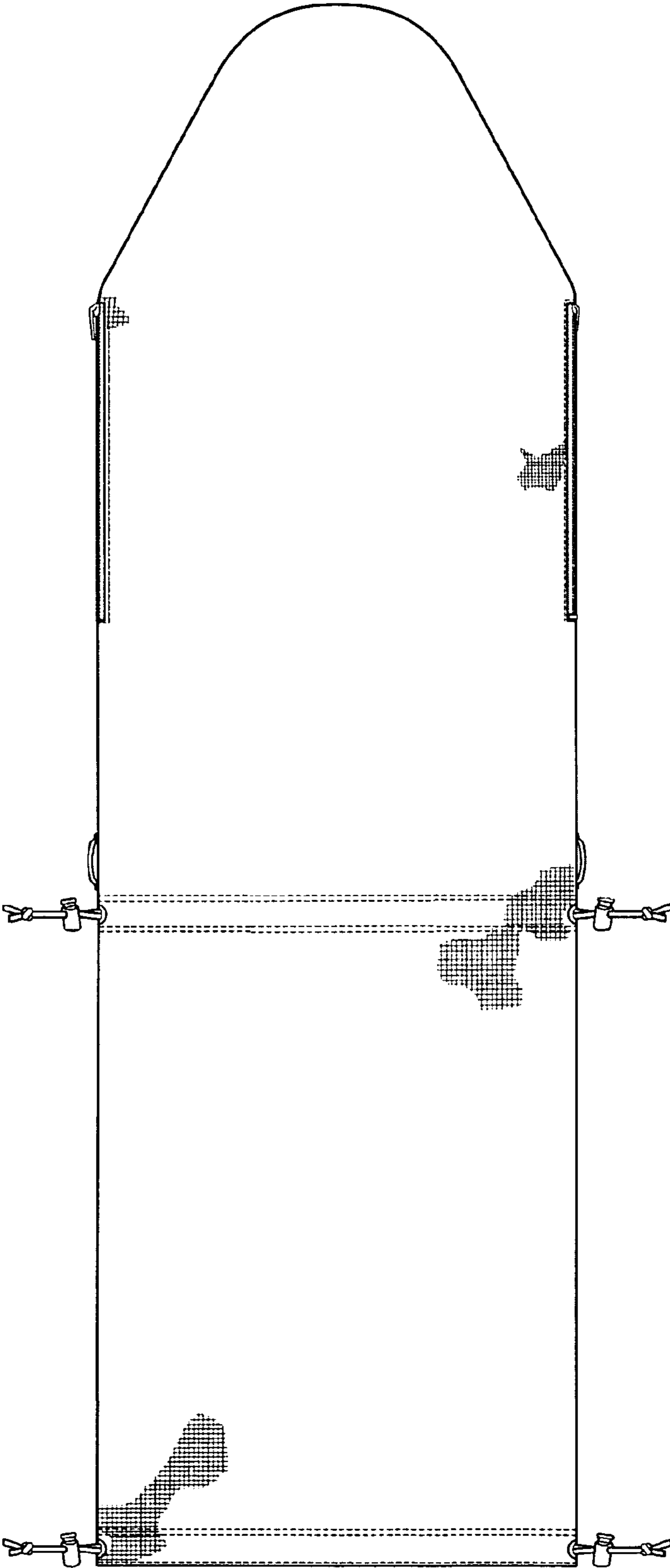
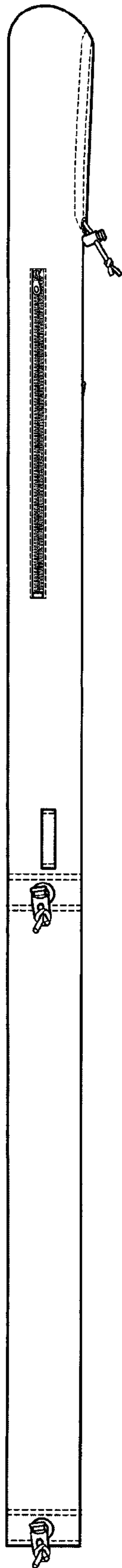
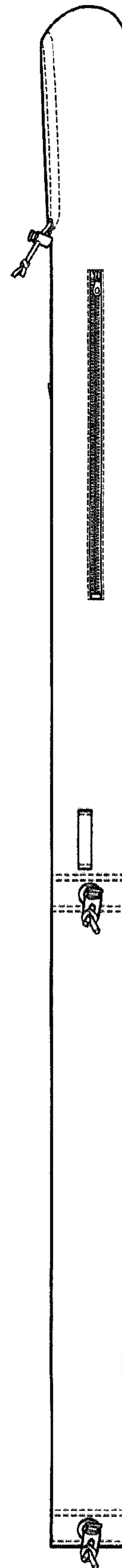


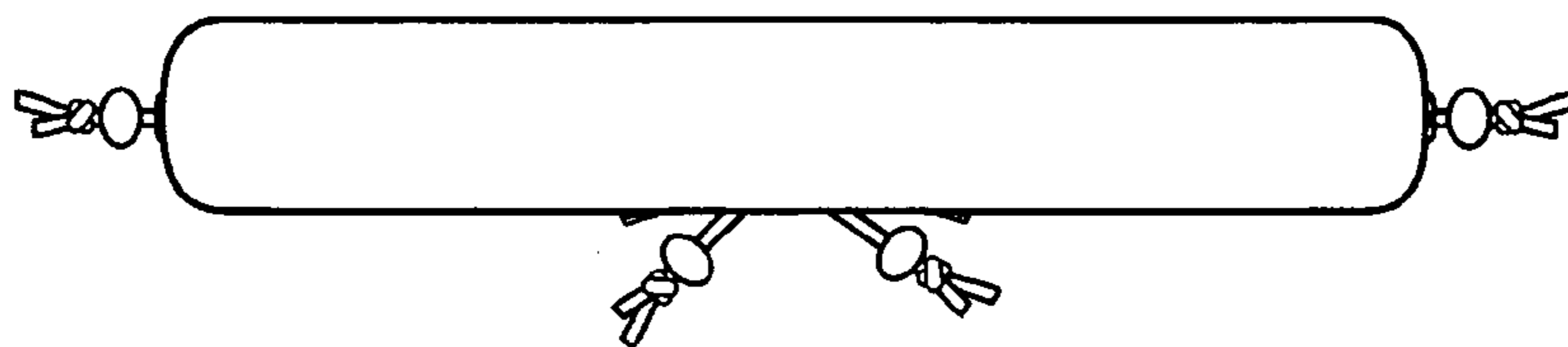
FIG. 2



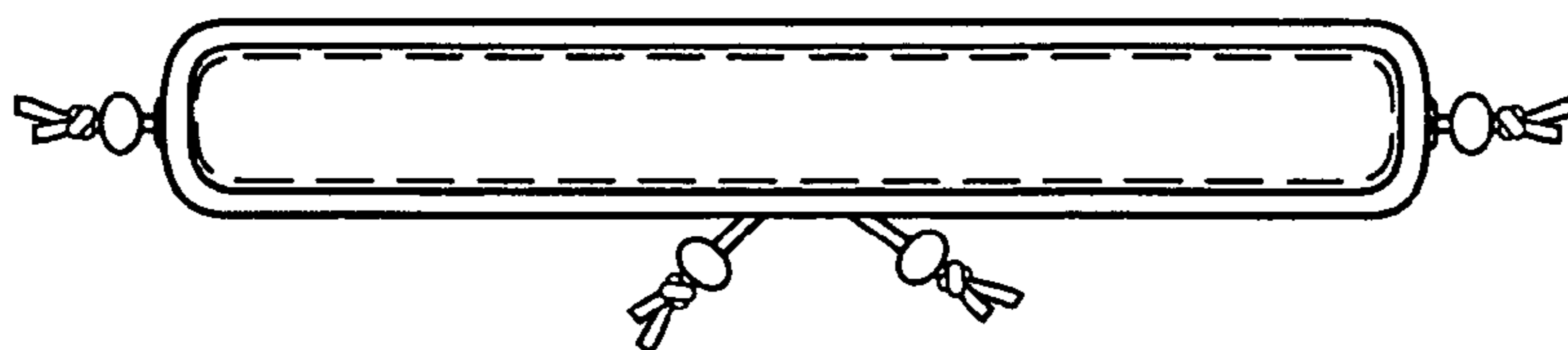
*FIG. 3*



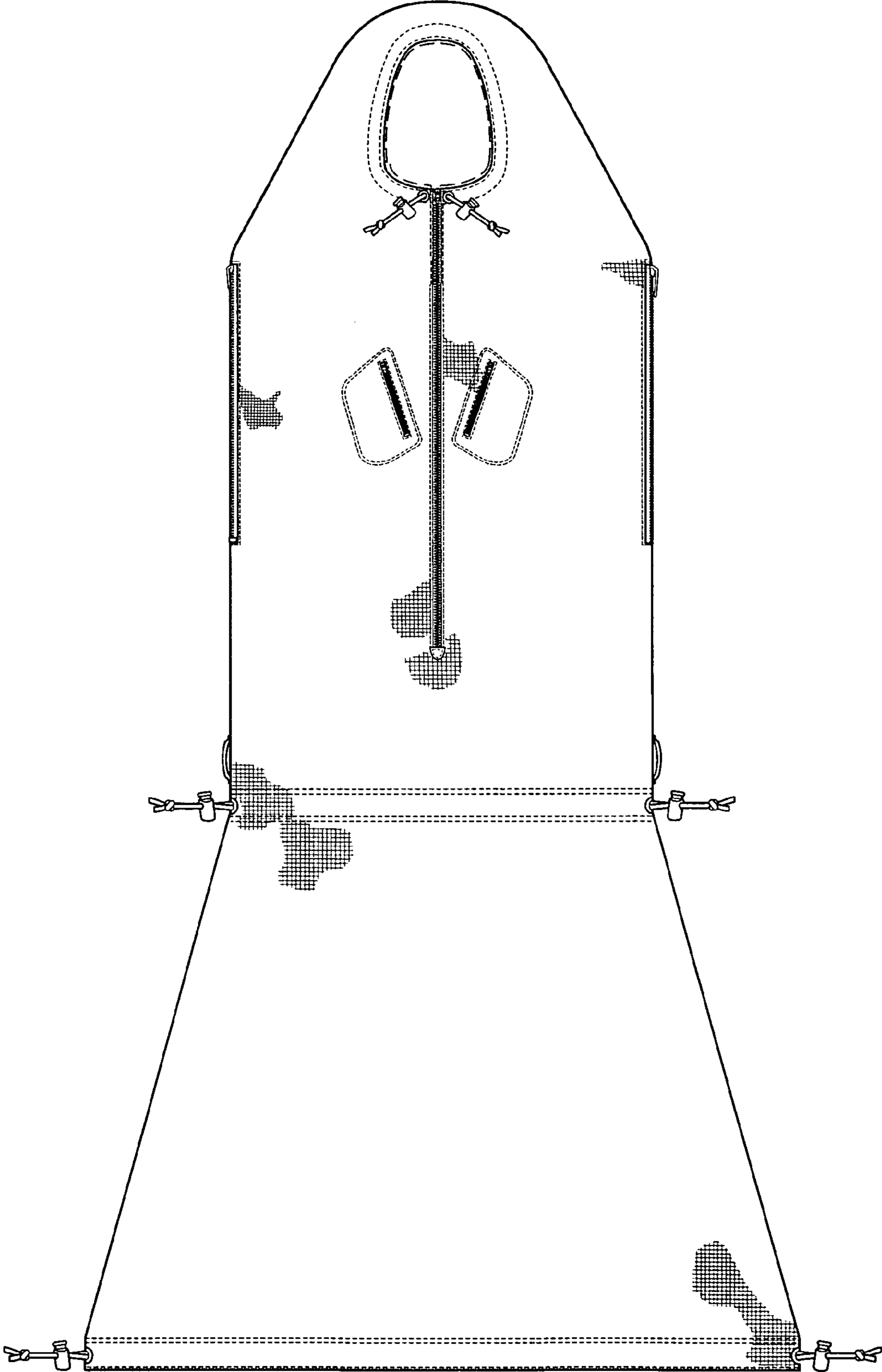
*FIG. 4*



*FIG. 5*

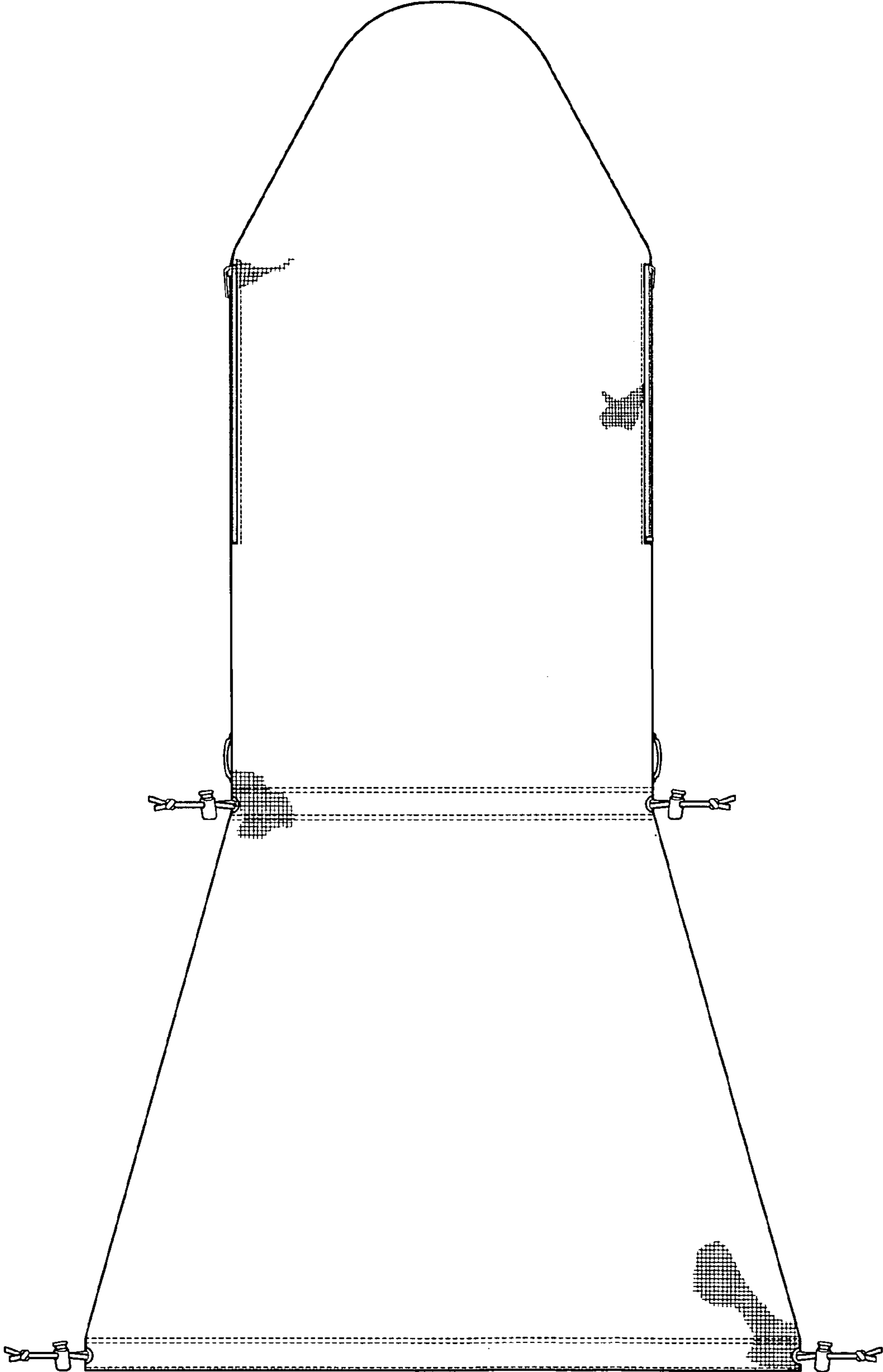


*FIG. 6*



*FIG. 7*





*FIG. 8*