



US00D641534S

(12) **United States Design Patent**  
**Lee et al.**

(10) **Patent No.:** **US D641,534 S**  
(45) **Date of Patent:** **\*\* Jul. 12, 2011**

(54) **BASE FOR ADJUSTABLE PEDESTAL**

(75) Inventors: **Alan Sian Ghee Lee**, Singapore (SG);  
**Henry Greaves**, Watsons Bay (AU)

(73) Assignee: **Alan Sian Ghee Lee**, Singapore (SG)

(\*\*) Term: **14 Years**

(21) Appl. No.: **29/378,354**

(22) Filed: **Nov. 3, 2010**

(30) **Foreign Application Priority Data**

May 12, 2010 (AU) ..... 11880/2010

(51) **LOC (9) Cl.** ..... **12-05**

(52) **U.S. Cl.** ..... **D34/31**

(58) **Field of Classification Search** ..... D34/31,  
D34/35, 28; 254/93 R, 1, 18 R, 2 R, 11,  
254/12, 13, DIG. 8; D25/199; 52/126.6,  
52/126.1, 126.7, 263, 302.5, 302.1; 108/150;  
248/188.2, 351, 352, 346.01, 346.06, 133  
See application file for complete search history.

(56) **References Cited**

**U.S. PATENT DOCUMENTS**

4,558,544	A *	12/1985	Albrecht et al.	.....	52/126.6
D312,442	S *	11/1990	Whitley, II	.....	D12/197
D331,064	S *	11/1992	Wilson et al.	.....	D15/5
D341,016	S *	11/1993	Wada et al.	.....	D34/35
D347,920	S *	6/1994	Sell	.....	D34/35
5,333,423	A *	8/1994	Propst	.....	52/126.6
D356,417	S *	3/1995	Petre	.....	D34/35
5,588,264	A *	12/1996	Buzon	.....	52/126.6
D425,281	S *	5/2000	Ridge	.....	D34/31
D431,512	S *	10/2000	Pink	.....	D12/197
D443,747	S *	6/2001	Ridge	.....	D34/31
6,332,292	B1 *	12/2001	Buzon	.....	52/126.6

6,363,685	B1 *	4/2002	Kugler	.....	52/745.05
D509,039	S *	8/2005	Peschmann et al.	.....	D34/31
D548,422	S *	8/2007	Lee et al.	.....	D34/35
D629,533	S *	12/2010	Ward et al.	.....	D25/199
7,866,096	B2 *	1/2011	Lee et al.	.....	52/126.6
2003/0070372	A1 *	4/2003	Favero	.....	52/220.1

\* cited by examiner

*Primary Examiner* — Cynthia Ramirez

(57) **CLAIM**

The ornamental design for a base for adjustable pedestal, as shown and described.

**DESCRIPTION**

FIG. 1 is a bottom isometric view of the base for an adjustable pedestal;

FIG. 2 is a back view of the base for an adjustable pedestal shown in FIG. 1;

FIG. 3 is bottom plan view of the base for an adjustable pedestal shown in FIG. 1;

FIG. 4 is a front view of the base for an adjustable pedestal;

FIG. 5 is a left side view of the base for a pedestal shown in FIG. 1;

FIG. 6 is a right side view of the base for a pedestal shown in FIG. 1;

FIG. 7 is a top isometric view of the base for a pedestal shown in FIG. 1;

FIG. 8 is an isometric reference view showing the product in use; and,

FIG. 9 is an isometric reference view showing the product in use.

The broken lines in the figure are included for the purpose of illustrating environment and form no part of the claimed design.

**1 Claim, 9 Drawing Sheets**

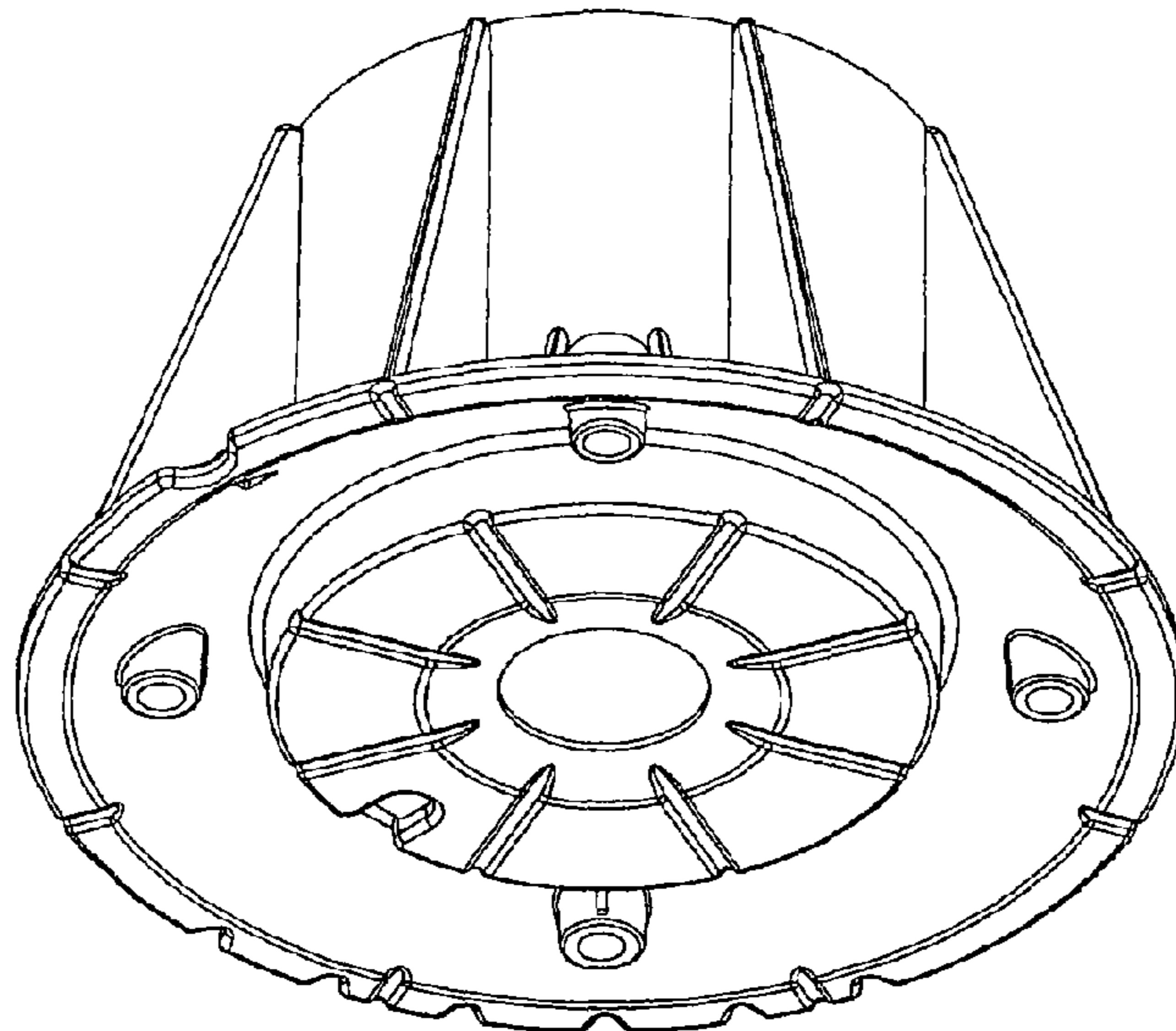


Fig.1

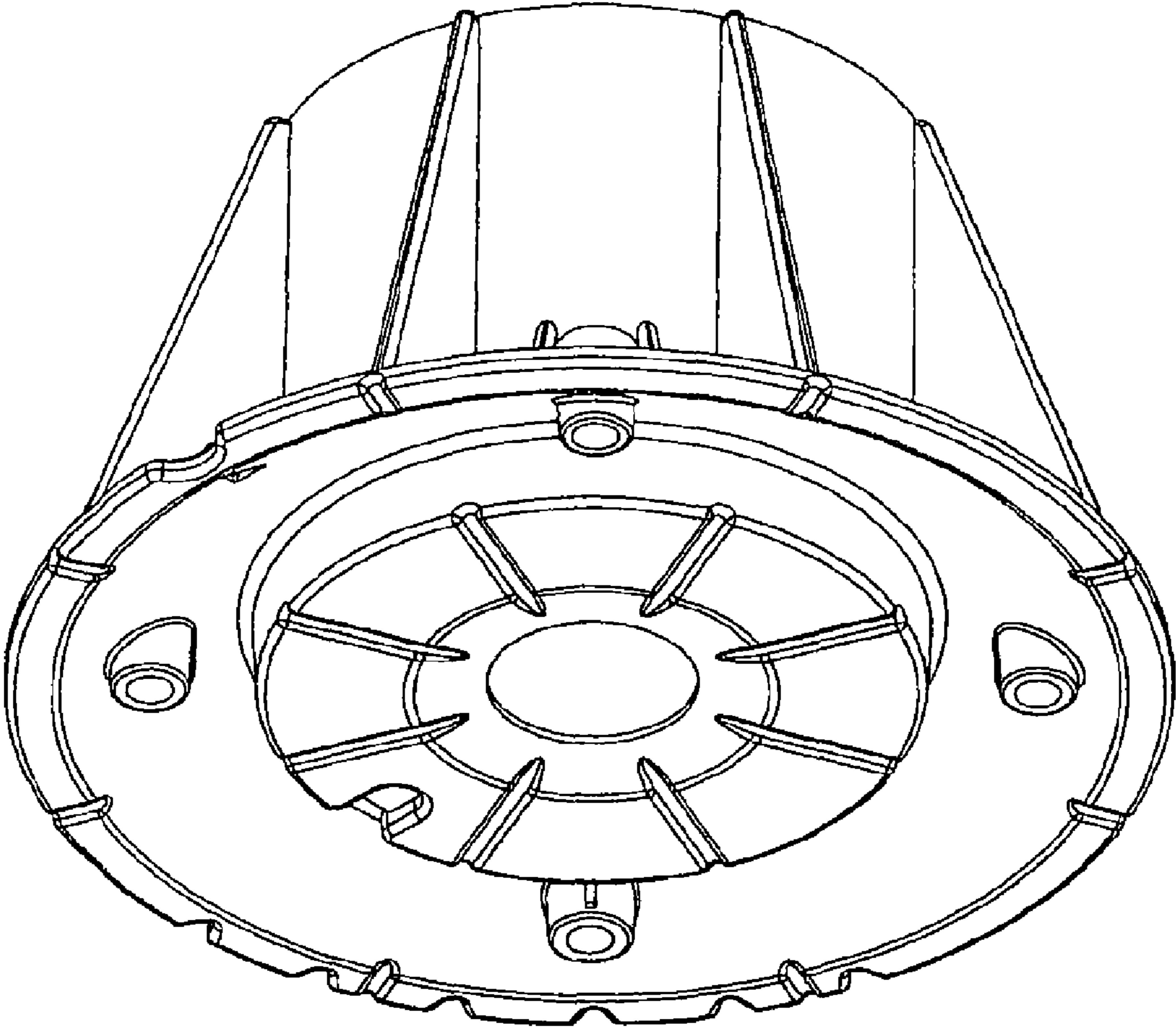


Fig. 2

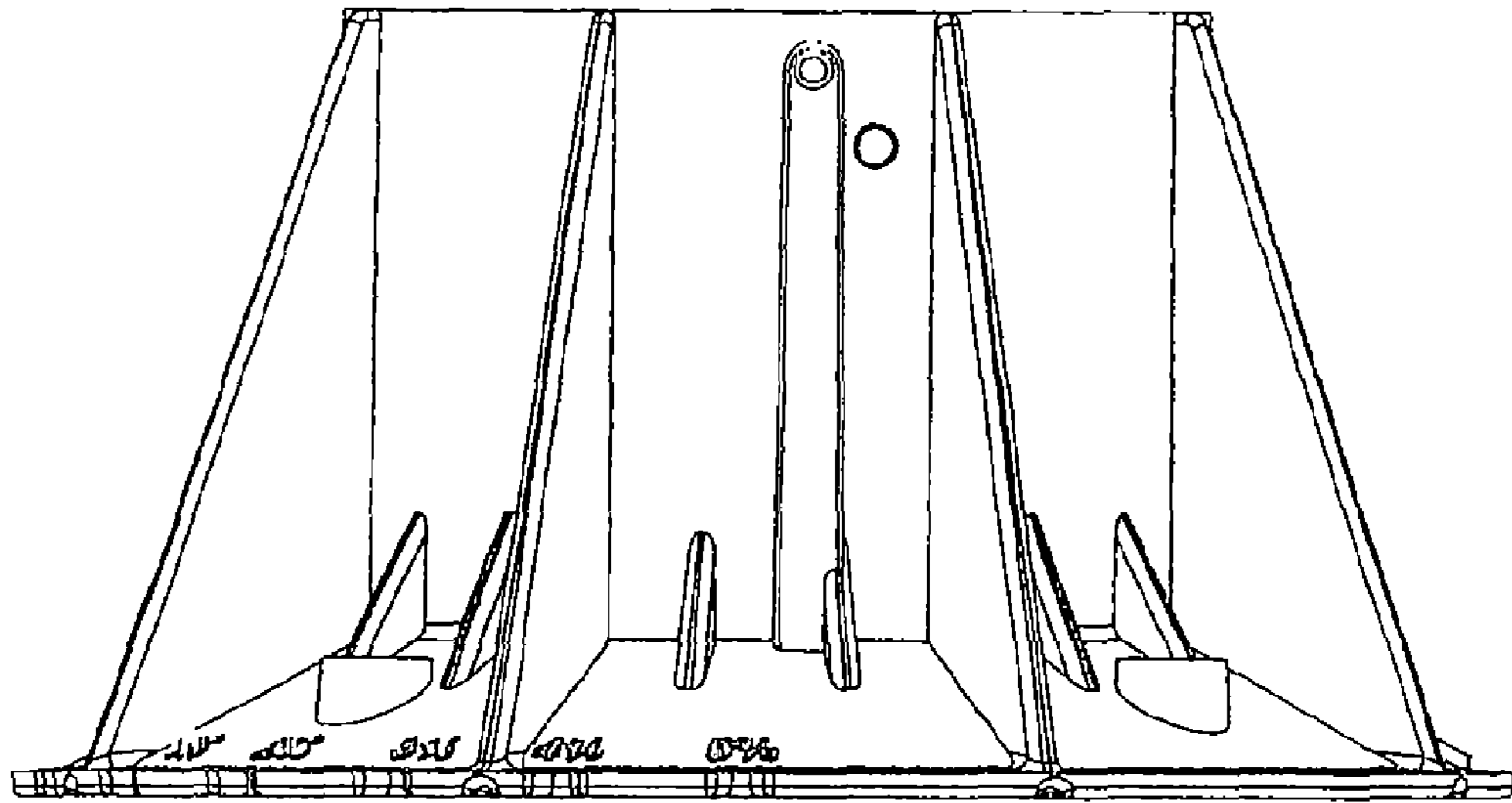


Fig. 3

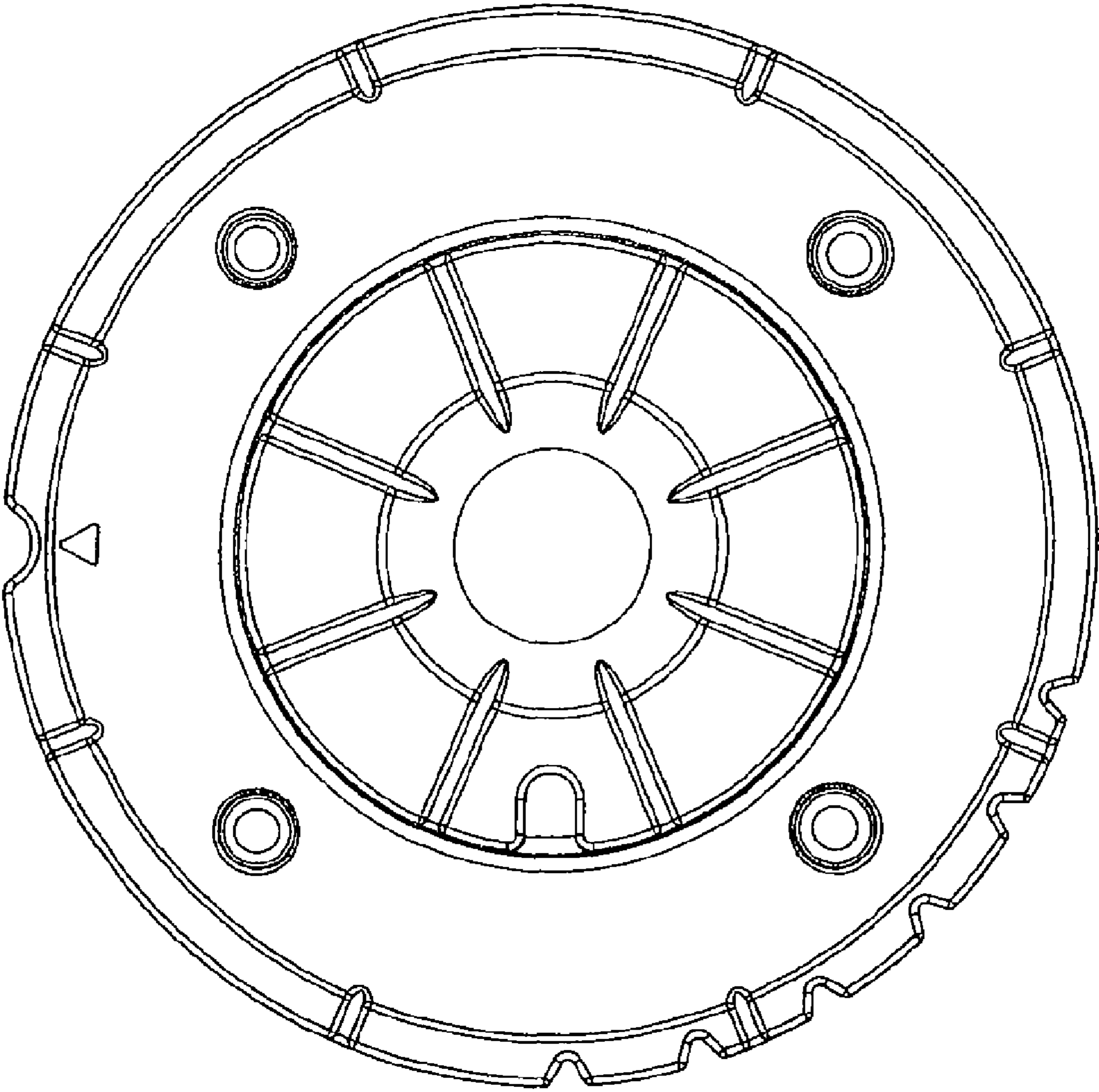


Fig. 4

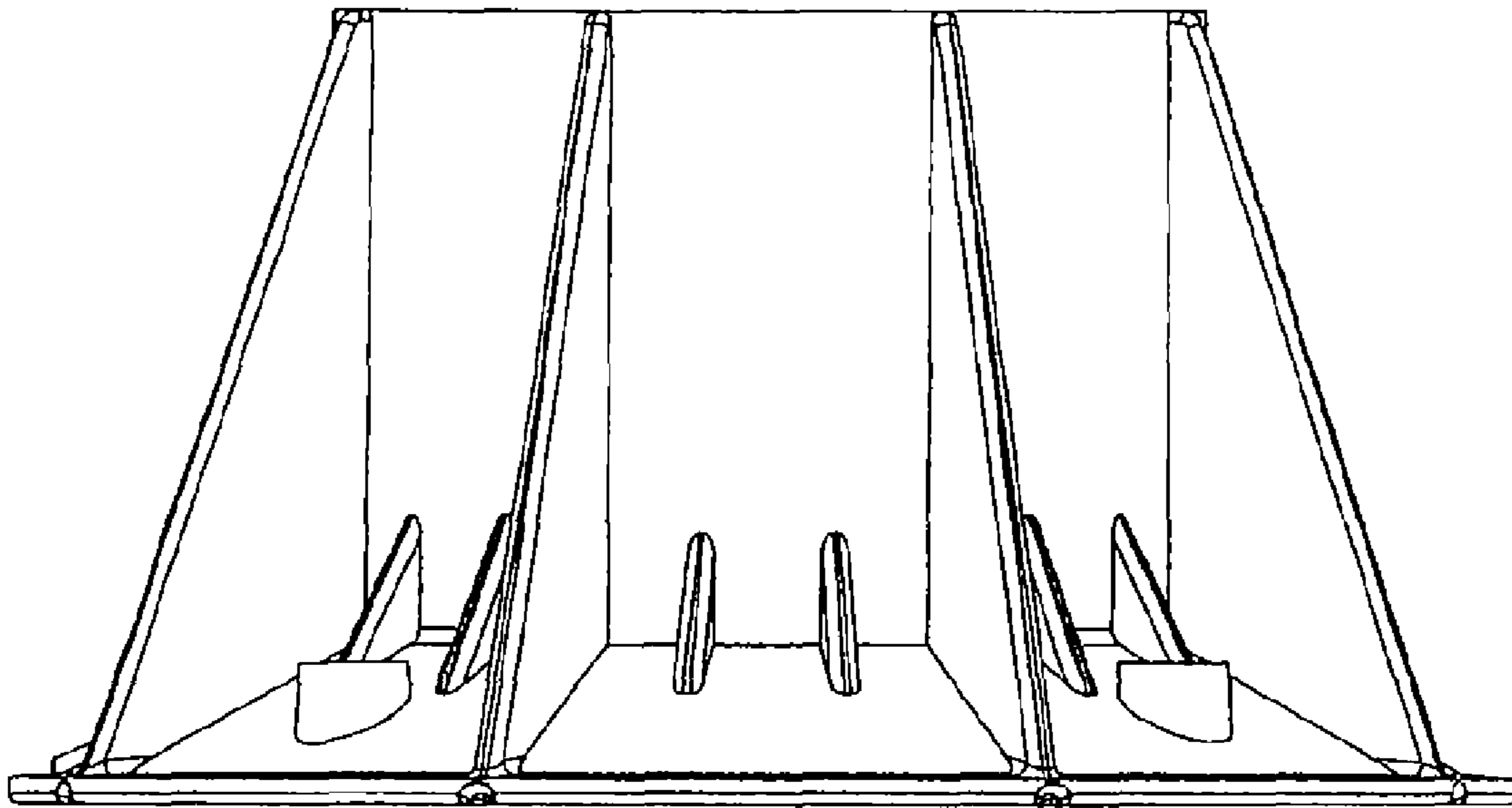




Fig. 5

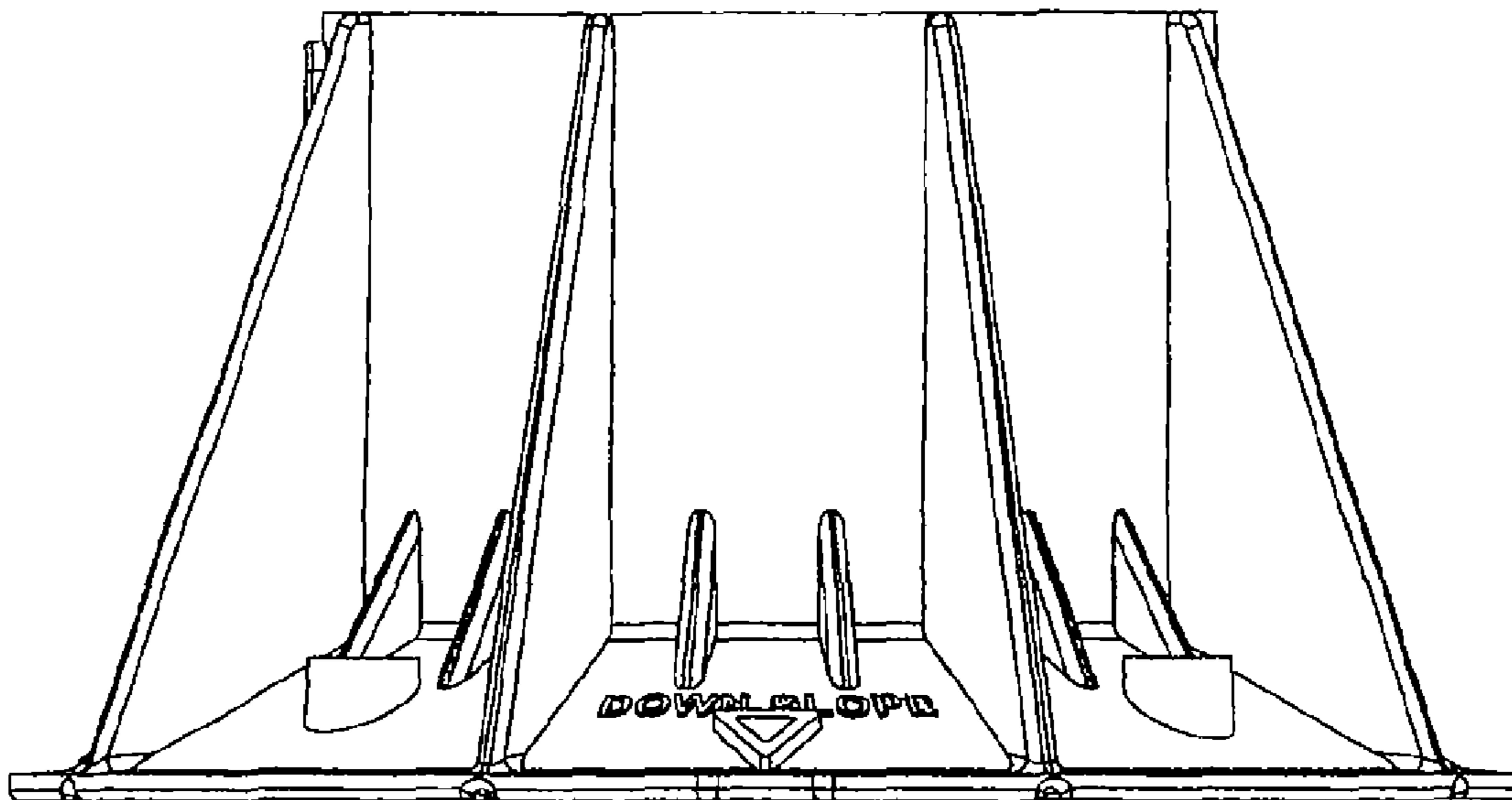


Fig. 6

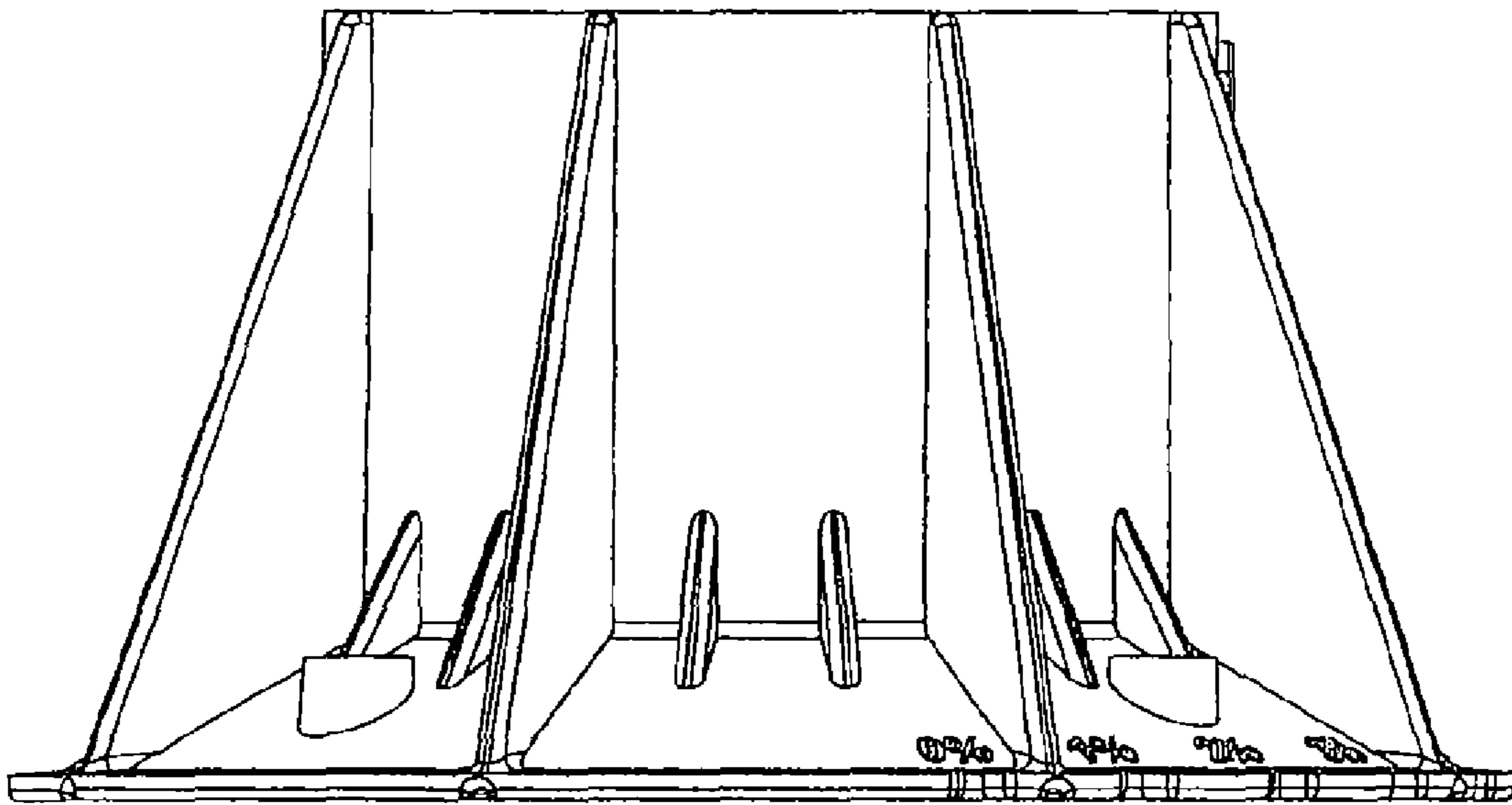


Fig. 7

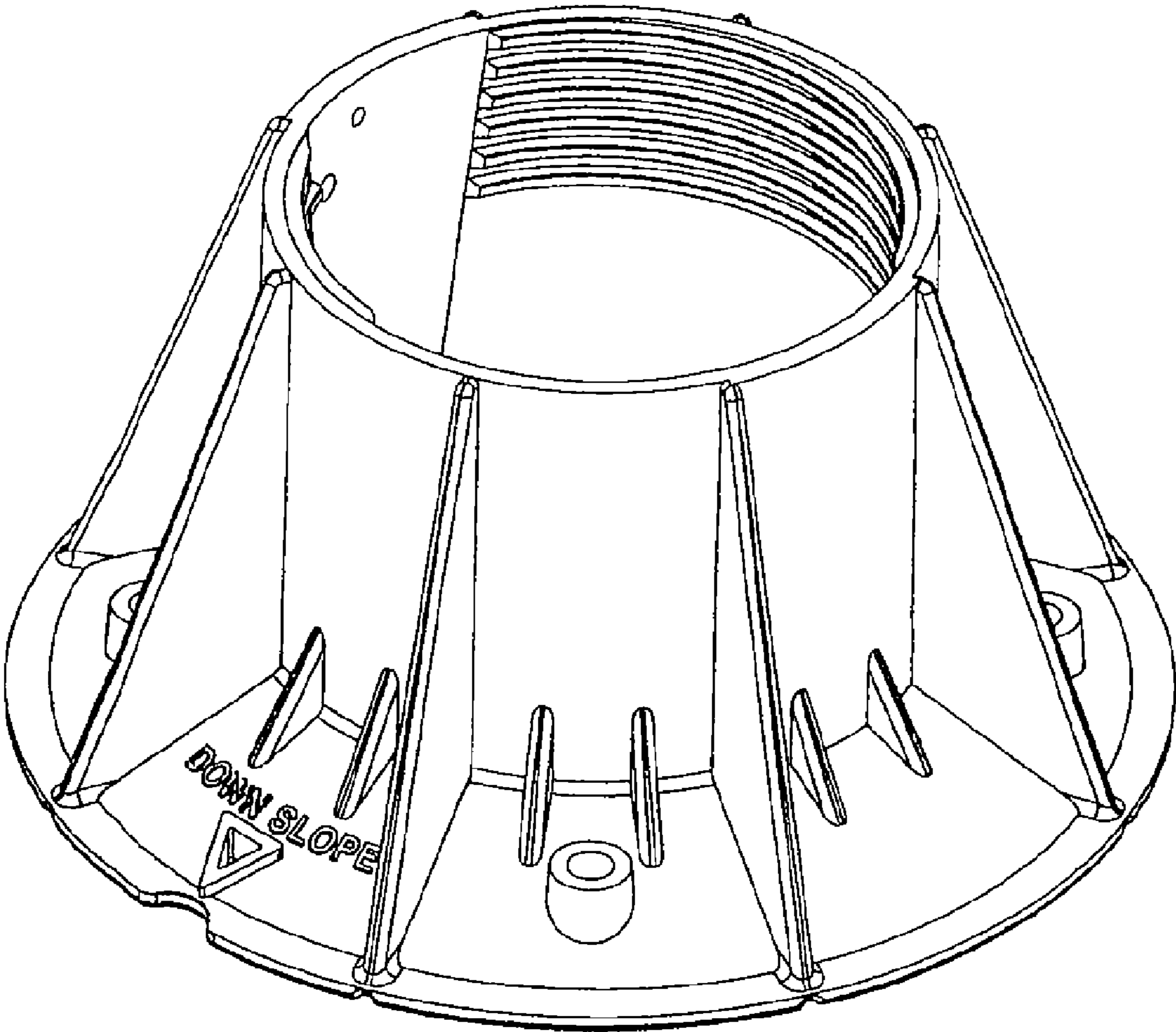




Fig. 8

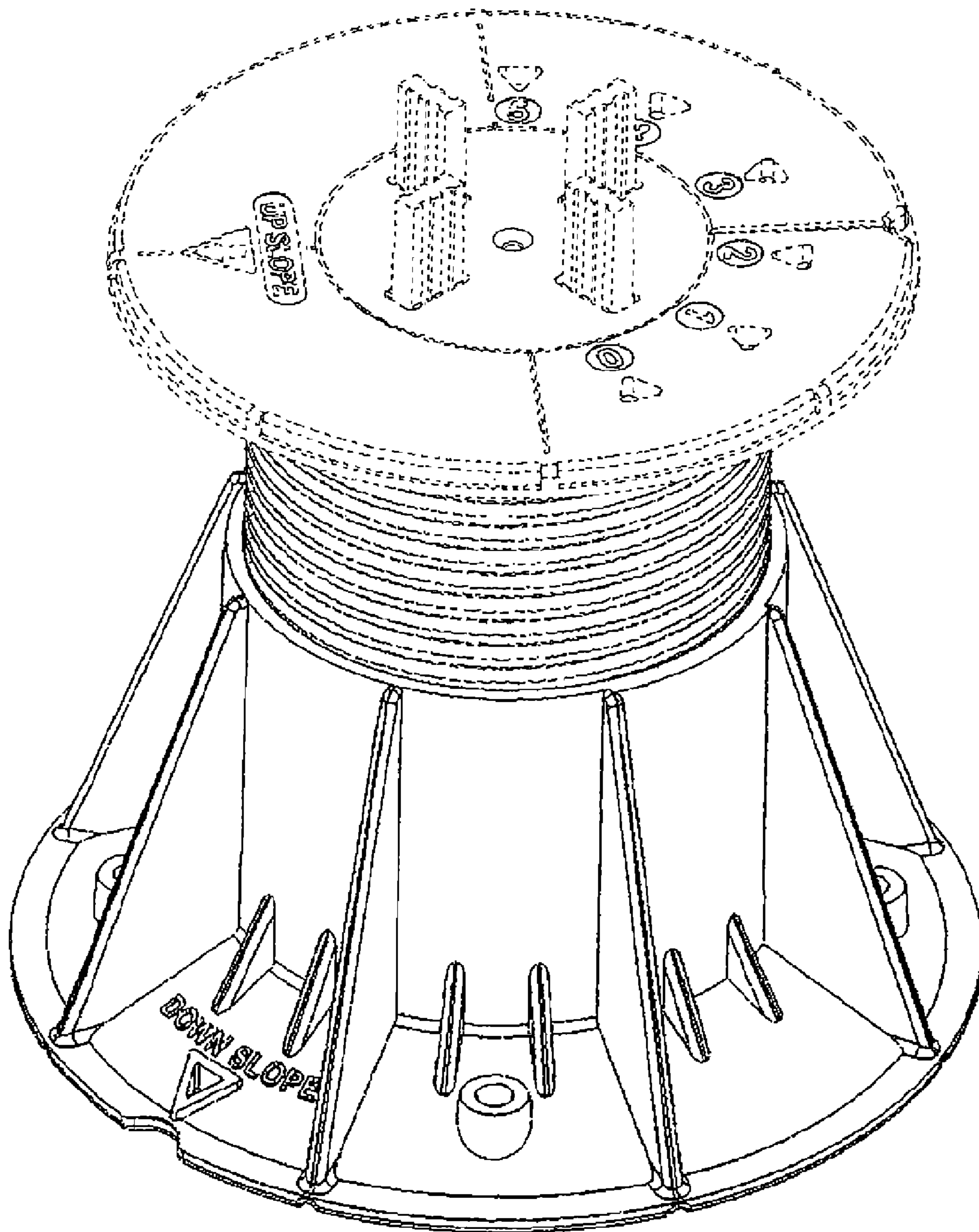


Fig. 9

