



US00D641533S

(12) **United States Design Patent**
Benson

(10) **Patent No.:** **US D641,533 S**

(45) **Date of Patent:** **** *Jul. 12, 2011**

(54) **REVERSE ARM PATIENT LIFT PENDANT**

(75) Inventor: **Wayne M. Benson**, Newmarket (CA)

(73) Assignee: **Amico Clinical Solutions**, Richmond Hill (CA)

(*) Notice: This patent is subject to a terminal disclaimer.

(**) Term: **14 Years**

(21) Appl. No.: **29/363,304**

(22) Filed: **Jun. 8, 2010**

(51) **LOC (9) Cl.** **12-05**

(52) **U.S. Cl.** **D34/28**

(58) **Field of Classification Search** D34/28,
D34/35; 5/81.1 R, 83.1, 85.1, 87.1, 88.1
See application file for complete search history.

(56) **References Cited**

U.S. PATENT DOCUMENTS

1,971,294	A *	8/1934	Bunker	5/89.1
D165,598	S *	1/1952	Nelson	D34/33
D202,082	S *	8/1965	Reimold et al.	D34/33
D287,778	S *	1/1987	Svensson	D34/28
4,644,595	A *	2/1987	Daniel	5/83.1
4,703,523	A *	11/1987	James	5/83.1
5,113,969	A *	5/1992	Drolet et al.	182/2.11
D327,763	S *	7/1992	Silbersky et al.	D34/28
D376,886	S *	12/1996	Dunn et al.	D34/28
6,047,418	A *	4/2000	Seide et al.	5/83.1

6,934,980	B2 *	8/2005	Harney	5/81.1 R
6,938,285	B2 *	9/2005	Fernie et al.	5/83.1
2005/0000016	A1 *	1/2005	Raemdonck	5/81.1 R
2009/0307840	A1 *	12/2009	Lingegard	5/83.1

* cited by examiner

Primary Examiner — Cynthia E Ramirez

(74) *Attorney, Agent, or Firm* — Jonathan M. D'Silva; MacDonald, Illig, Jones & Britton LLP

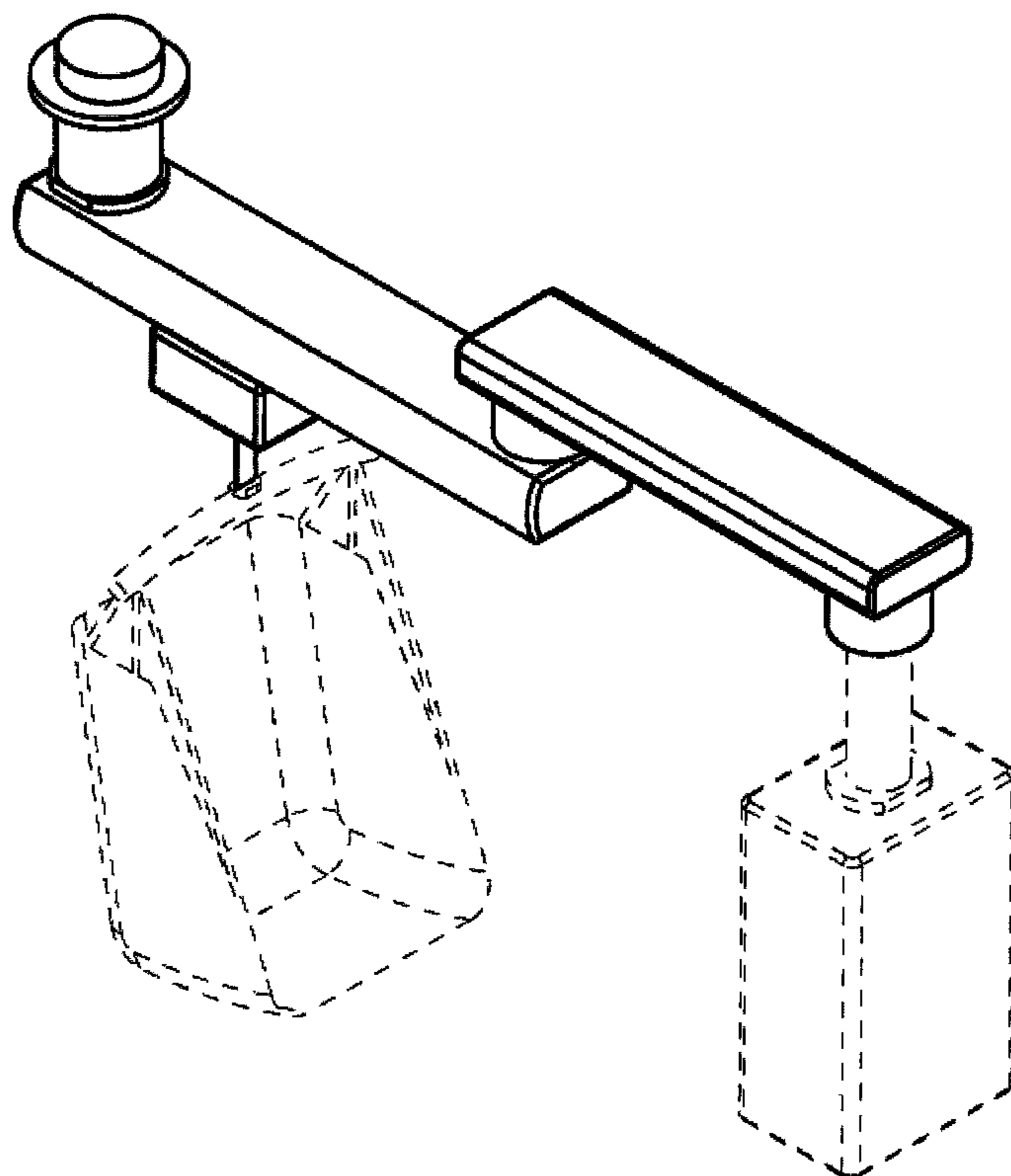
(57) **CLAIM**

The ornamental design for a reverse arm patient lift pendant, as shown and described.

DESCRIPTION

FIG. 1 is a profile view of a reverse arm patient lift pendant showing my new design;
 FIG. 2 is a right view of the patient lift pendant shown in FIG. 1;
 FIG. 3 is a left view of the patient lift pendant shown in FIG. 1;
 FIG. 4 is a top view of the patient lift pendant shown in FIG. 1;
 FIG. 5 is a bottom view of the patient lift pendant shown in FIG. 1;
 FIG. 6 is a back view of the patient lift pendant shown in FIG. 1;
 FIG. 7 is a front view of the patient lift pendant shown in FIG. 1; and,
 FIG. 8 is an exploded view of the patient lift pendant shown in FIG. 1.

1 Claim, 8 Drawing Sheets



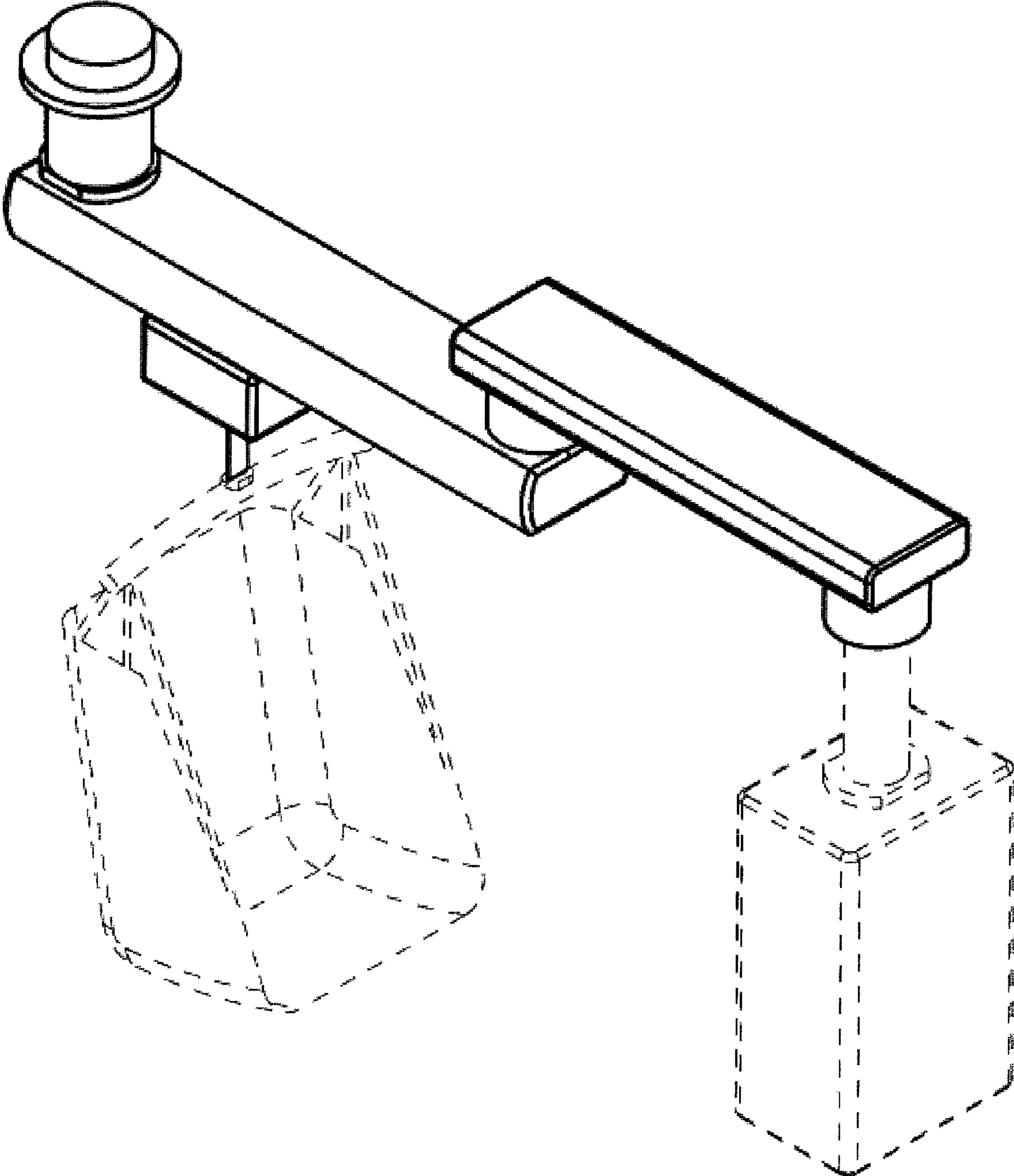


Figure 1

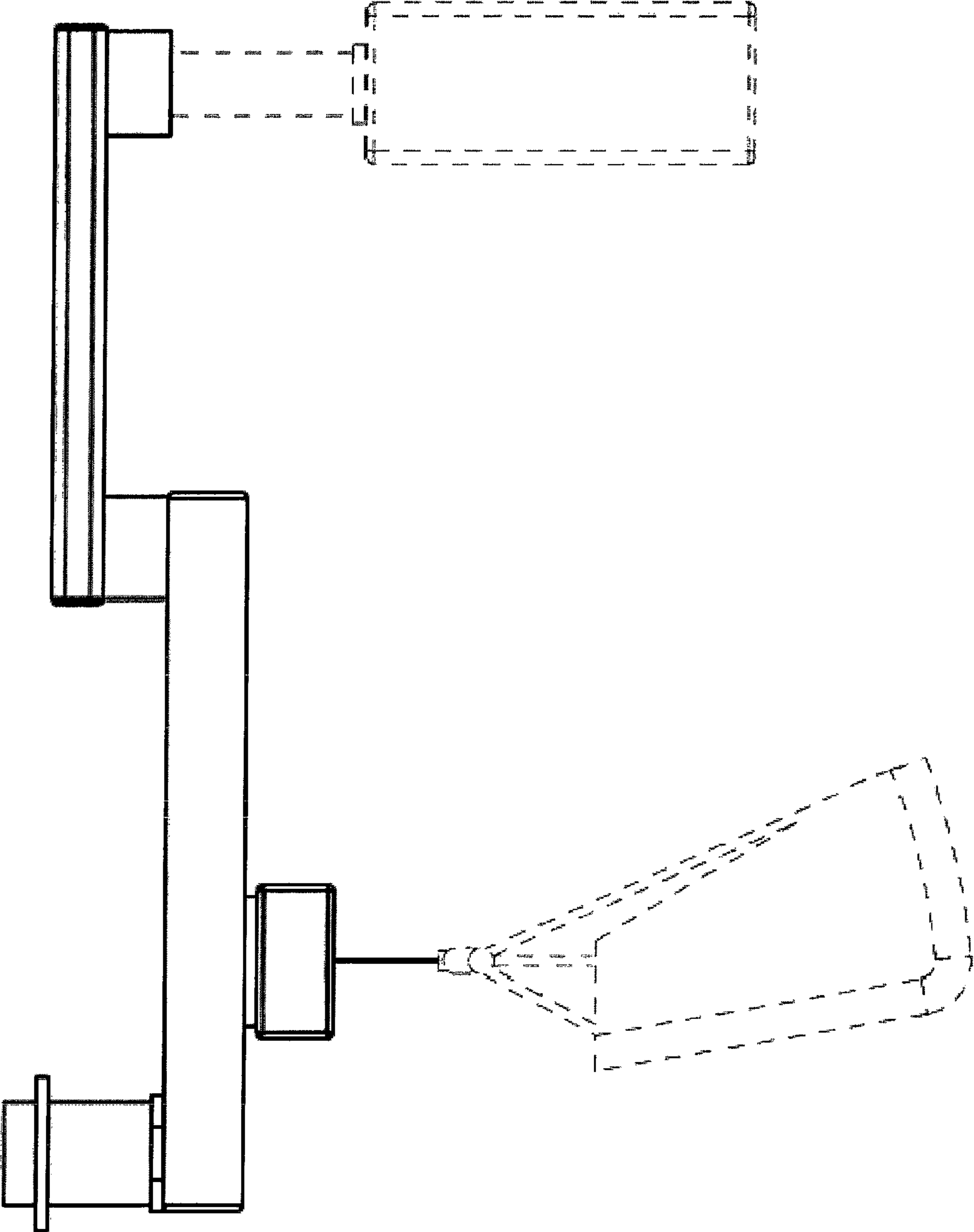


Figure 2

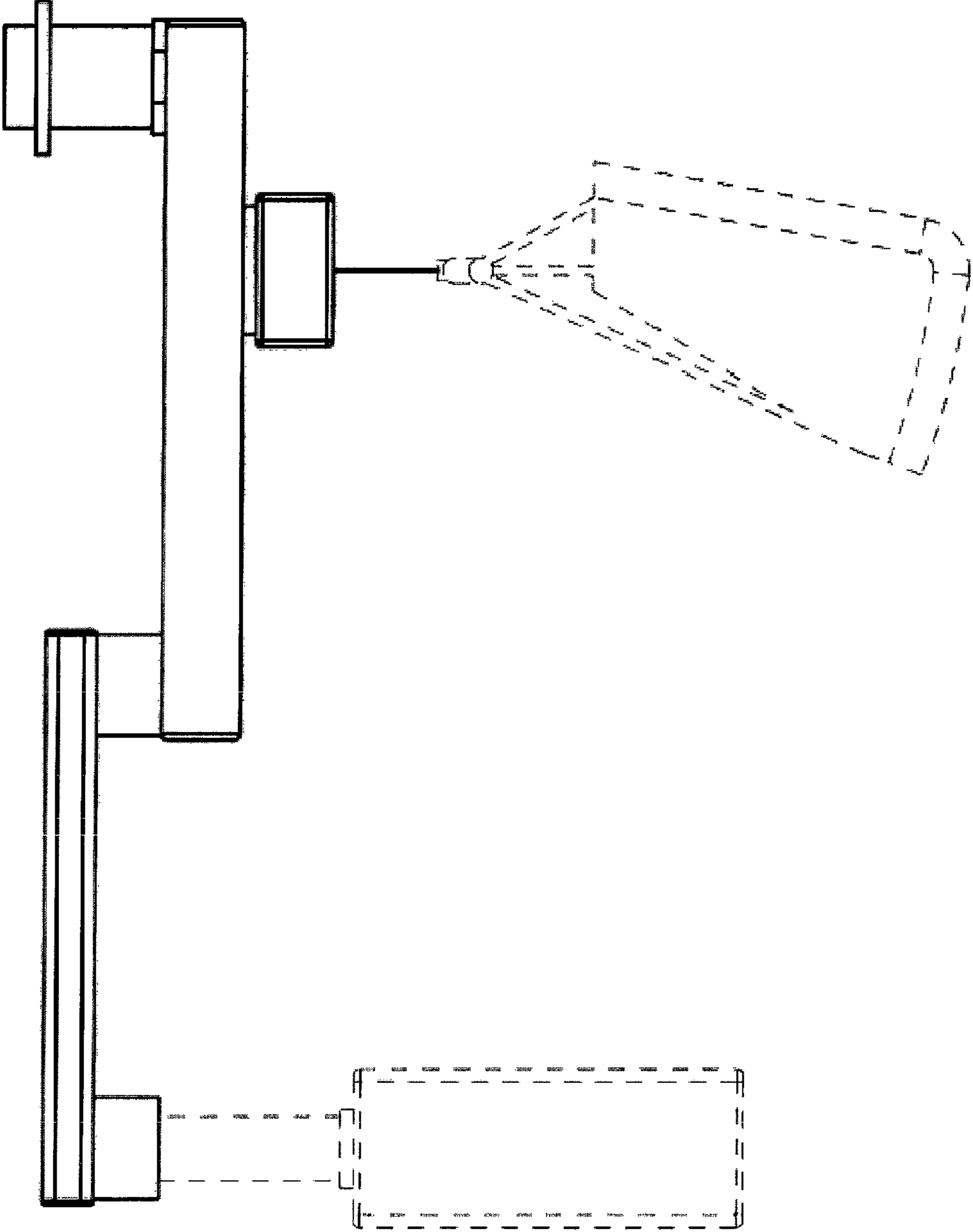


Figure 3

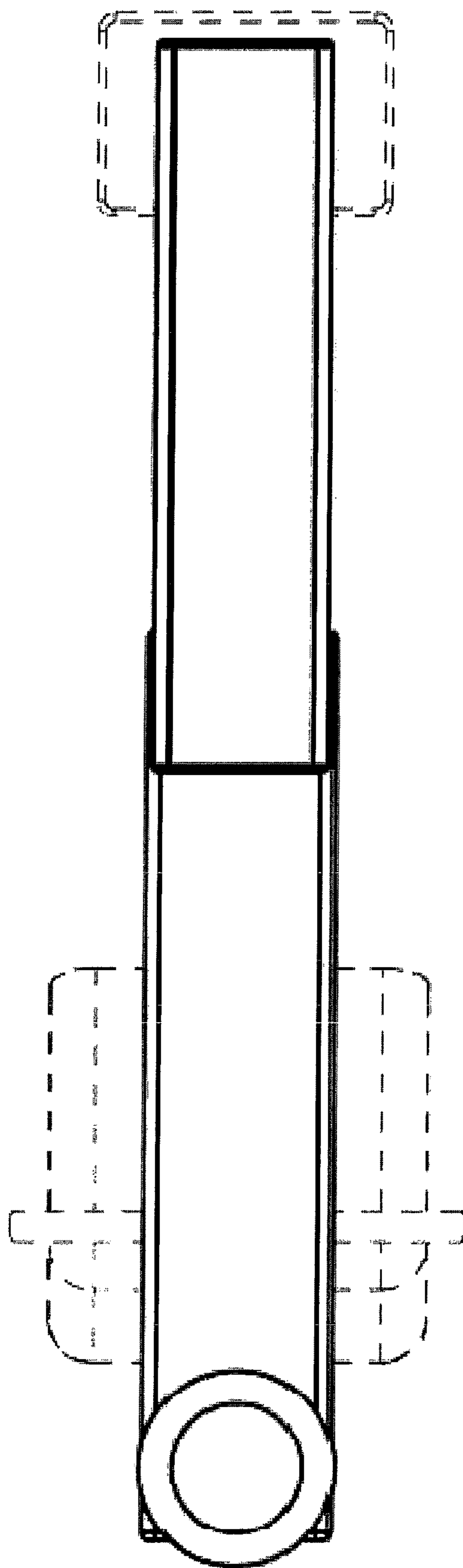


Figure 4

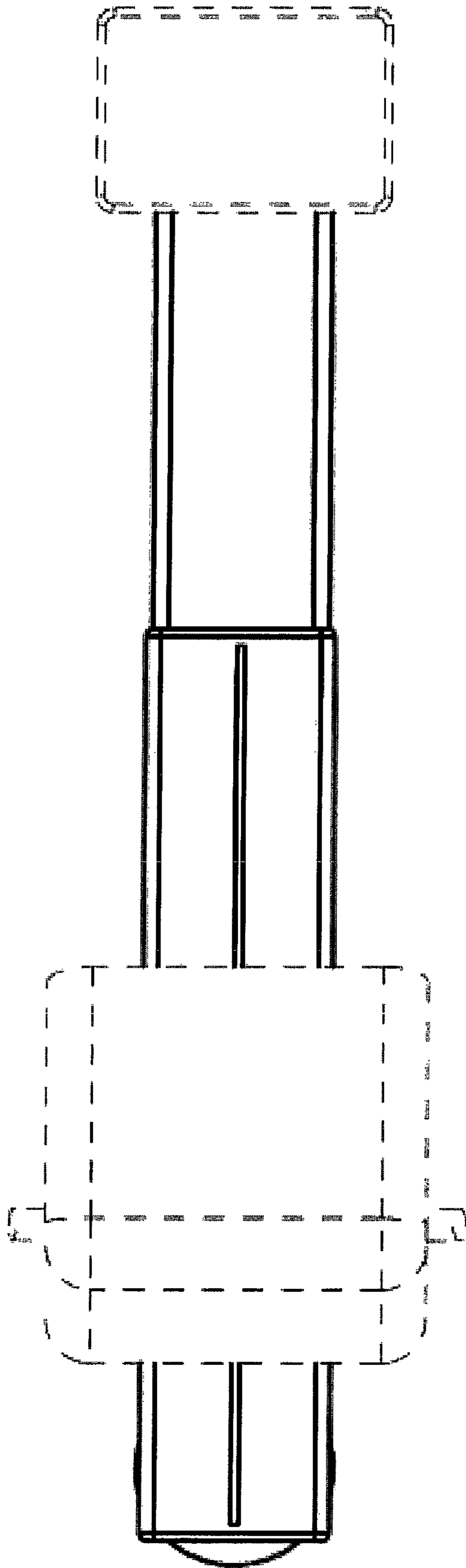


Figure 5

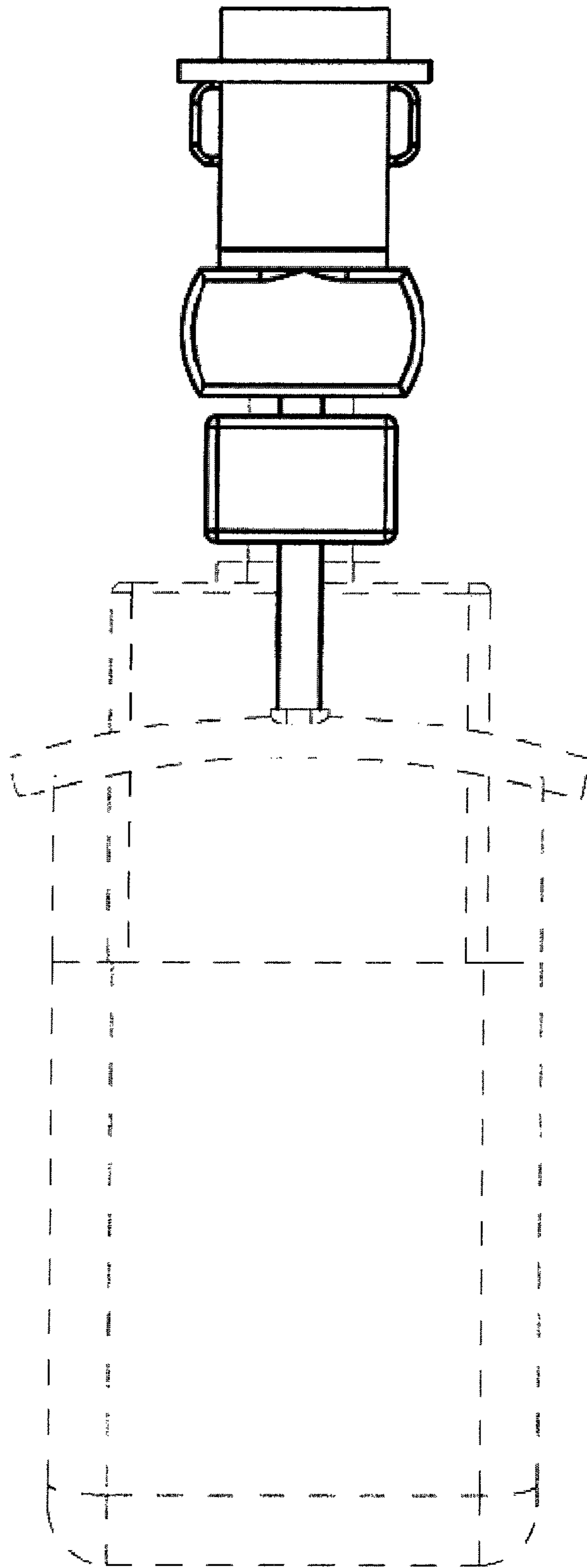


Figure 6

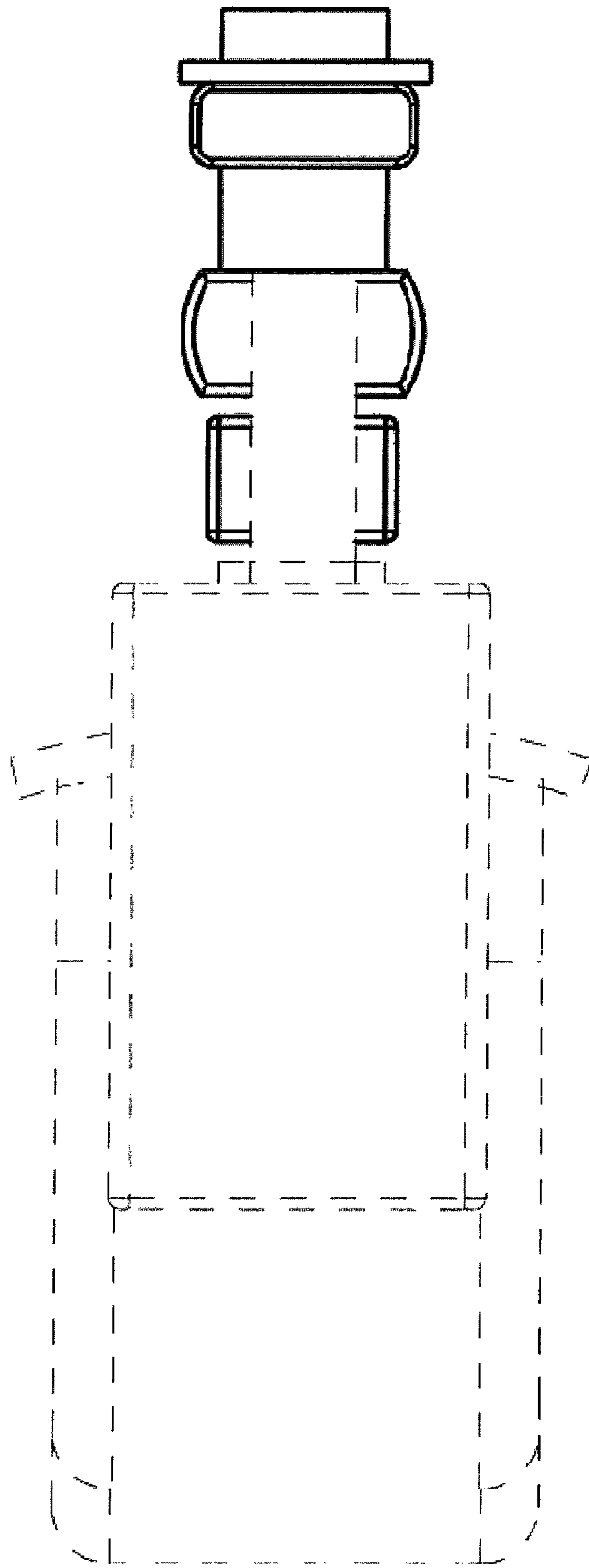


Figure 7

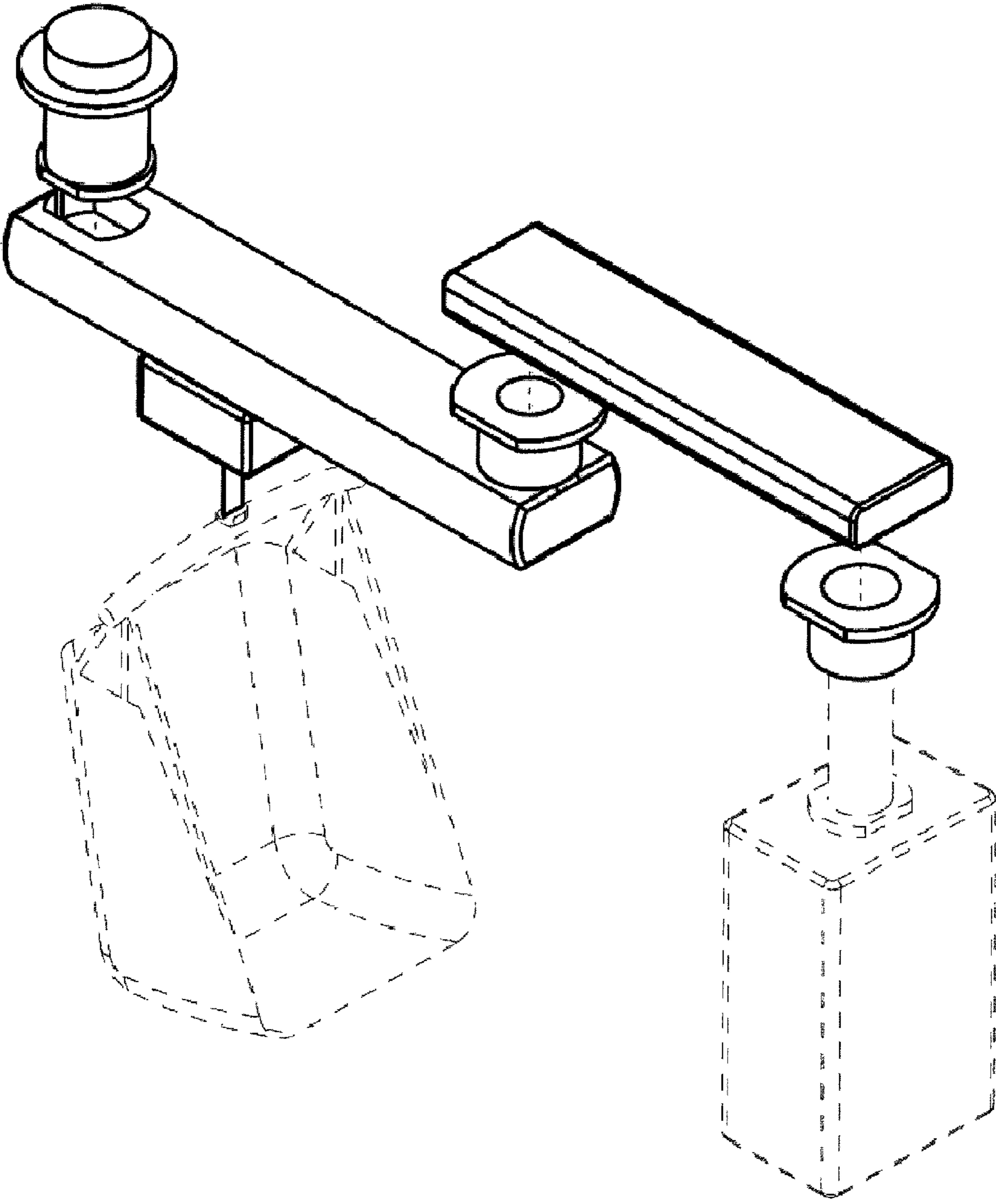


Figure 8