



US00D641530S

(12) **United States Design Patent**
Lewis

(10) **Patent No.:** **US D641,530 S**
(45) **Date of Patent:** **** Jul. 12, 2011**

(54) **RECEPTACLE FOR PICKING UP LAWN DEBRIS**
(76) Inventor: **Richard K. Lewis**, Woodville, FL (US)
(**) Term: **14 Years**
(21) Appl. No.: **29/366,271**
(22) Filed: **Jul. 22, 2010**
(51) **LOC (9) Cl.** **09-09**
(52) **U.S. Cl.** **D34/5**
(58) **Field of Classification Search** D34/1, D34/5, 6, 7, 8, 9; 220/908, 908.1, 909, 911; 280/47.26, 652, 47.35, 33.991, 33.998; 232/43.1; 15/257.4, 257.9; 248/95, 99, 100, 101
See application file for complete search history.

D441,933 S * 5/2001 Savage et al. D34/1
6,296,212 B1 * 10/2001 Monahan 248/99
6,318,419 B1 11/2001 Lee
6,318,588 B1 * 11/2001 Lichtenwalner 280/47.26
D456,581 S 4/2002 Washek
6,585,304 B1 * 7/2003 Boozer et al. 294/55
6,877,182 B1 * 4/2005 Hutson 15/257.1
6,994,302 B1 * 2/2006 Simmons 248/98
D524,000 S * 6/2006 Kim et al. D32/6
D533,701 S * 12/2006 Payton et al. D34/5
D552,351 S * 10/2007 Bauers D3/294
7,677,508 B1 * 3/2010 Owens 248/101
D625,483 S * 10/2010 Fabian et al. D34/5

OTHER PUBLICATIONS

WWW.AMAZINGLEAF CART.COM; The Amazing Leaf Cart; as of Jul. 21, 2010.

* cited by examiner

Primary Examiner — Cynthia E Ramirez

(56) **References Cited**

U.S. PATENT DOCUMENTS

133,562 A 12/1872 Chaffin
571,513 A 11/1896 Davidson
3,241,750 A * 3/1966 Brighton 232/43.2
3,285,620 A * 11/1966 Mitty et al. 280/47.26
D207,578 S * 5/1967 Zellsatra et al. D34/5
4,442,567 A 4/1984 Pravettone
4,470,627 A 9/1984 Carroll et al.
D281,284 S * 11/1985 Reuter D34/5
4,600,113 A 7/1986 DeMars
4,749,158 A * 6/1988 Buckley 248/98
4,802,258 A 2/1989 Jensen
D304,631 S * 11/1989 McCarville D34/5
5,031,277 A * 7/1991 Coker 15/257.3
D345,642 S * 3/1994 Tucker et al. D34/5
D376,236 S * 12/1996 Talbot et al. D34/5
D401,727 S * 11/1998 Weideman et al. D34/25

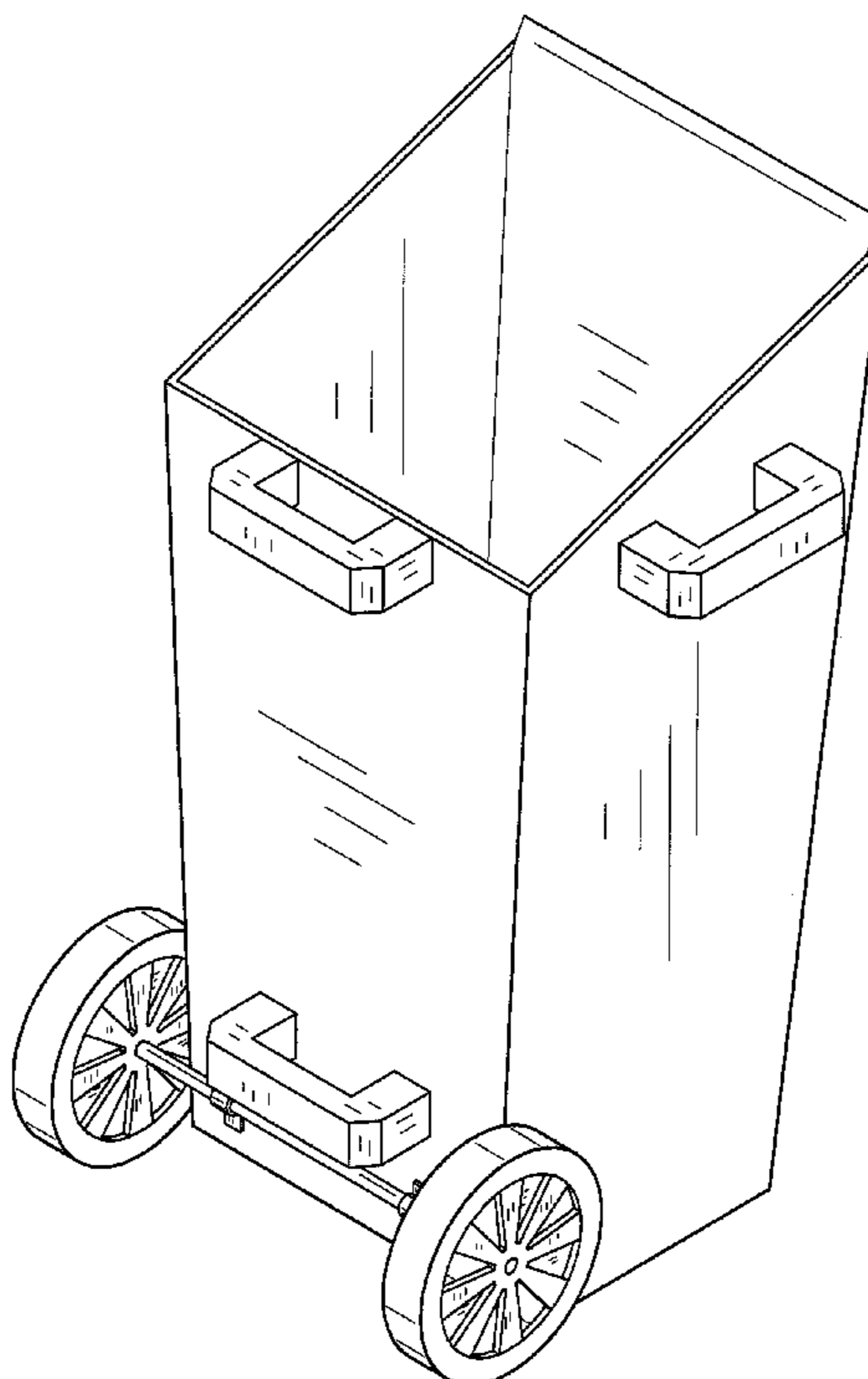
(57) **CLAIM**

The ornamental design for a receptacle for picking up lawn debris, as shown and described.

DESCRIPTION

FIG. 1 is a perspective view of a receptacle for picking up lawn debris showing my new design;
FIG. 2 is a side view, the opposite side view being a mirror image thereof;
FIG. 3 is a front view thereof;
FIG. 4 is a back view thereof;
FIG. 5 is a top view thereof; and,
FIG. 6 is a bottom view thereof.

1 Claim, 6 Drawing Sheets



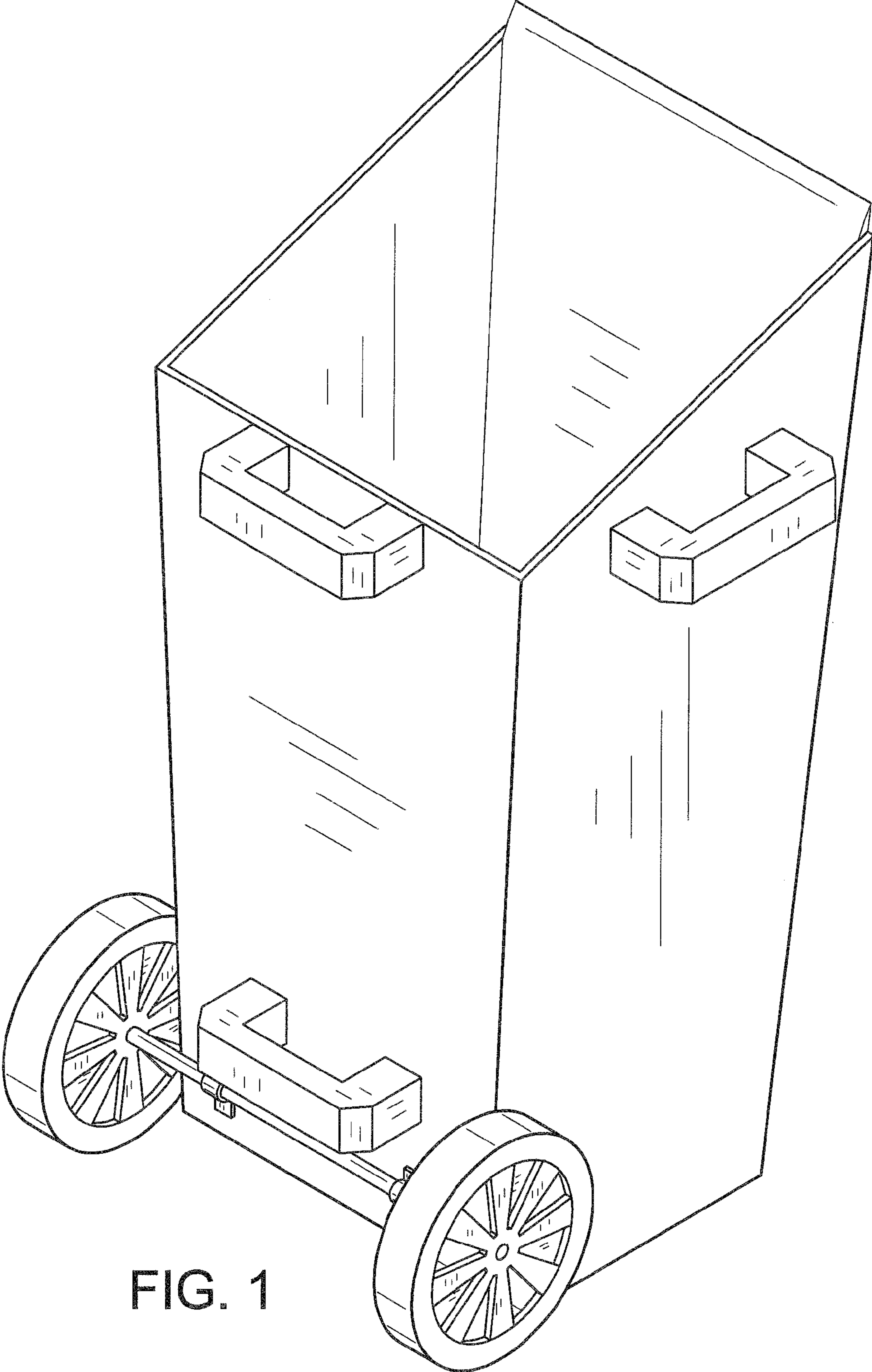


FIG. 1

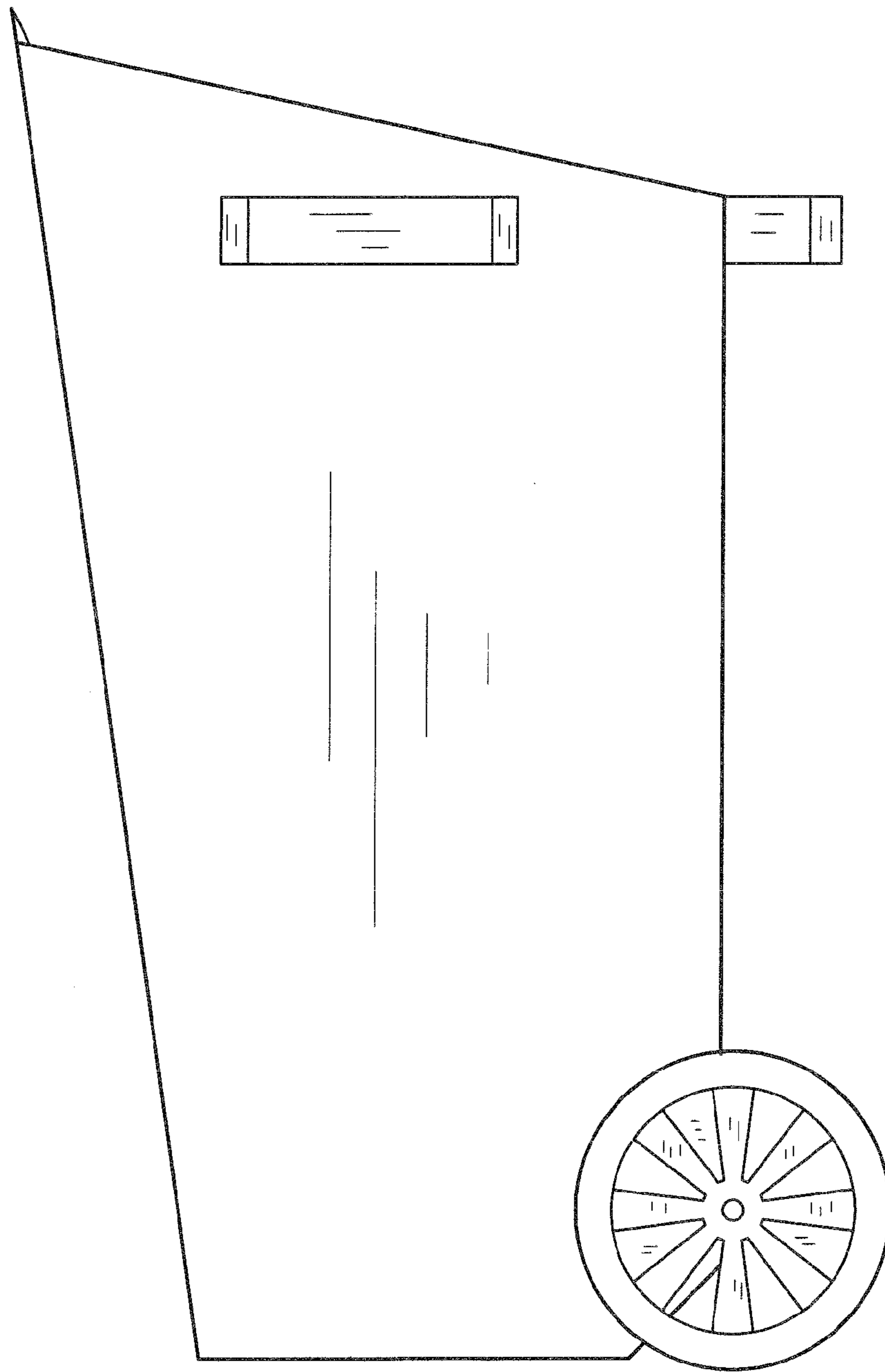


FIG. 2

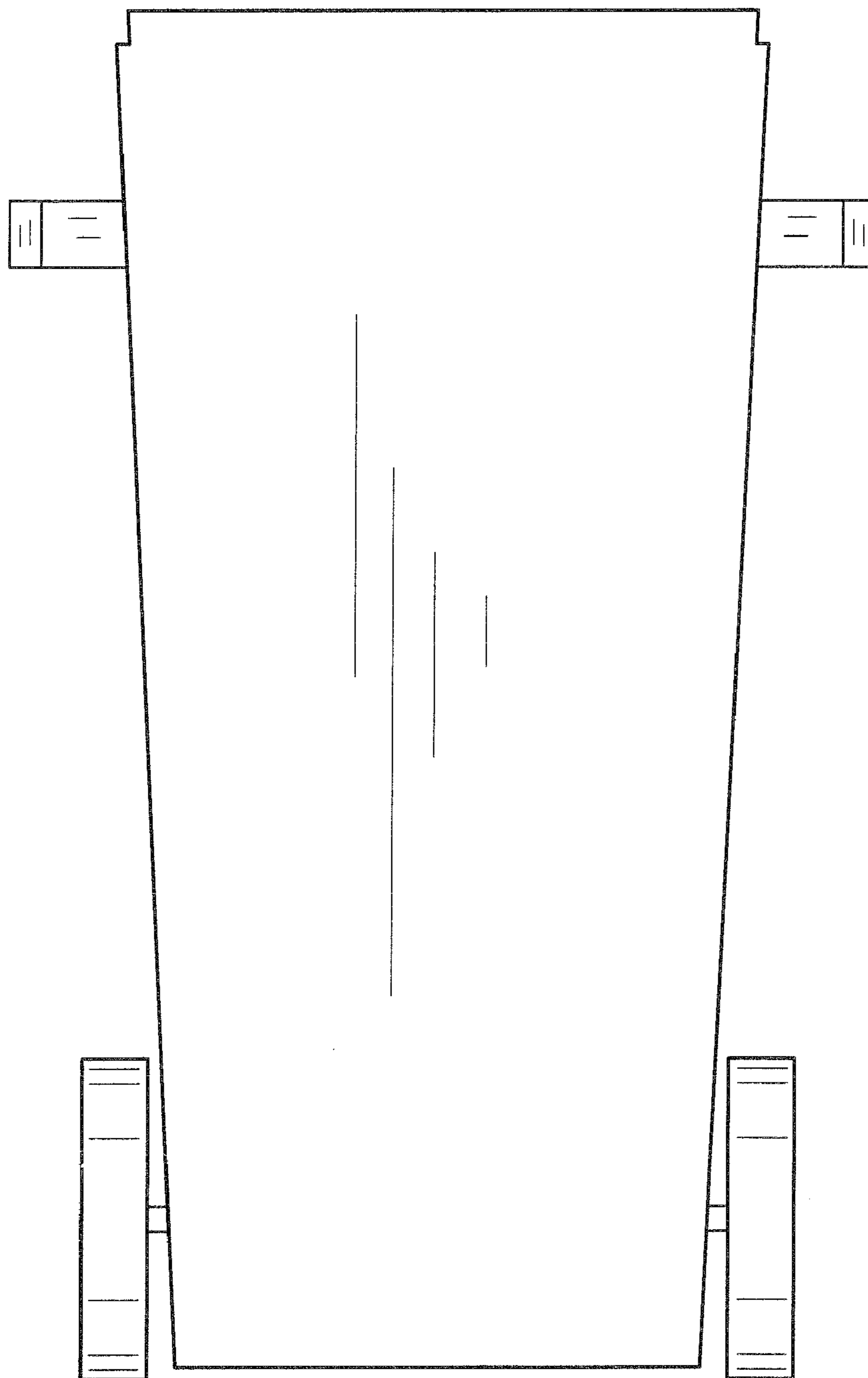


FIG. 3

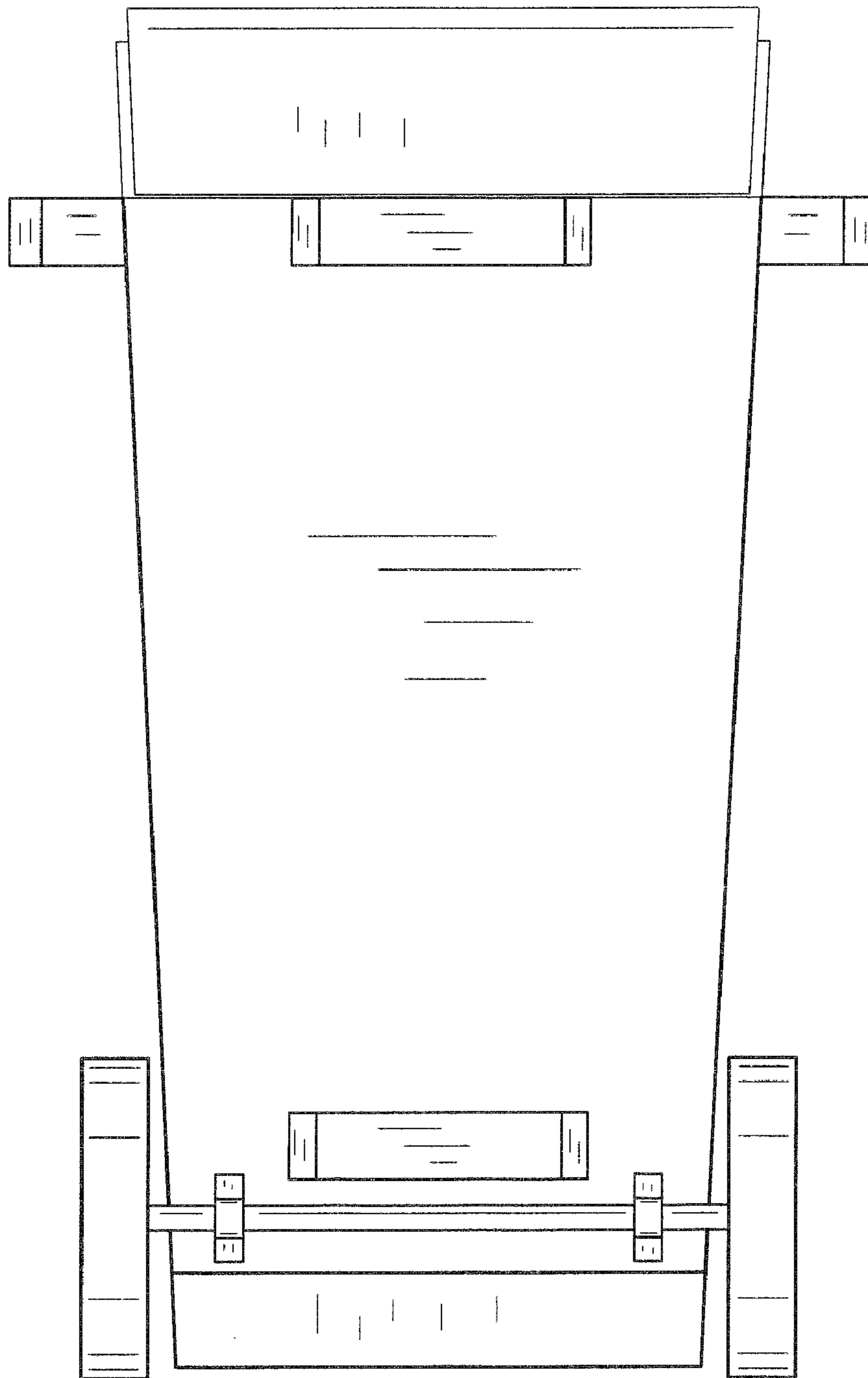


FIG. 4

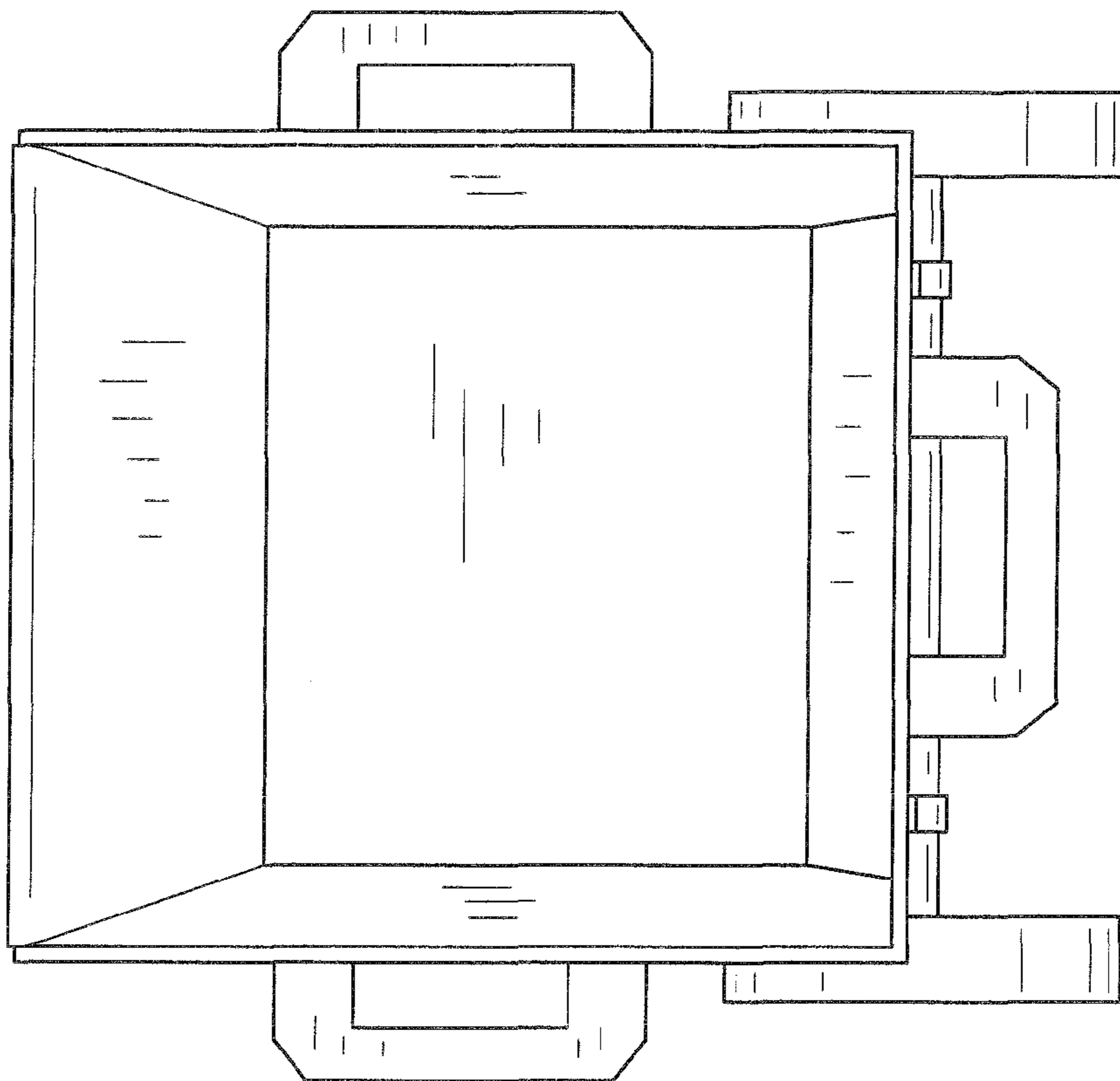


FIG. 5

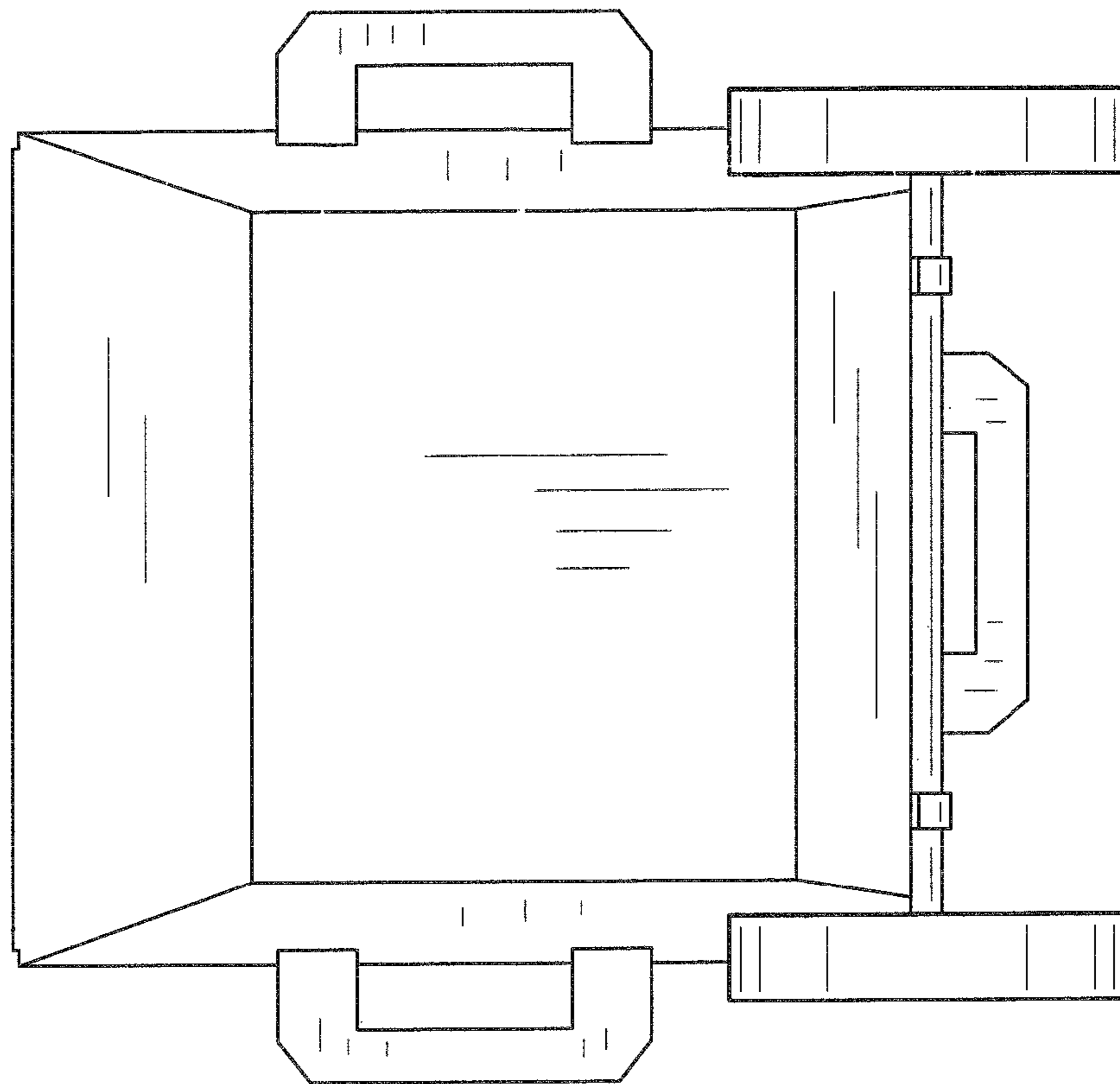


FIG. 6