



US00D641528S

(12) **United States Design Patent**
Wai

(10) **Patent No.:** **US D641,528 S**

(45) **Date of Patent:** **** Jul. 12, 2011**

(54) **SANITIZER DEVICE**

(75) Inventor: **King Sun Wai**, Kowloon (HK)

(73) Assignee: **Angel Sales, Inc.**, Chicago, IL (US)

(**) Term: **14 Years**

(21) Appl. No.: **29/382,638**

(22) Filed: **Jan. 5, 2011**

(51) **LOC (9) Cl.** **07-05**

(52) **U.S. Cl.** **D32/58**

(58) **Field of Classification Search** D32/8,
D32/58, 59; D24/109; D7/708; 34/90, 600,
34/523, 441, 381, 240, 106, 105, 104, 103;
D2/979

See application file for complete search history.

(56) **References Cited**

U.S. PATENT DOCUMENTS

D347,094	S *	5/1994	Christensen, Jr.	D32/58
6,216,359	B1 *	4/2001	Peet	34/105
6,327,792	B1 *	12/2001	Hebert	34/104
6,604,298	B2 *	8/2003	Tomasi et al.	34/600
6,675,493	B1 *	1/2004	Martin	34/240

D563,619	S *	3/2008	Palese et al.	D32/58
D565,260	S *	3/2008	Lam	D32/8
D576,773	S *	9/2008	Beckett	D32/58

* cited by examiner

Primary Examiner — Austin Murphy

(74) *Attorney, Agent, or Firm* — Michael Best & Friedrich LLP

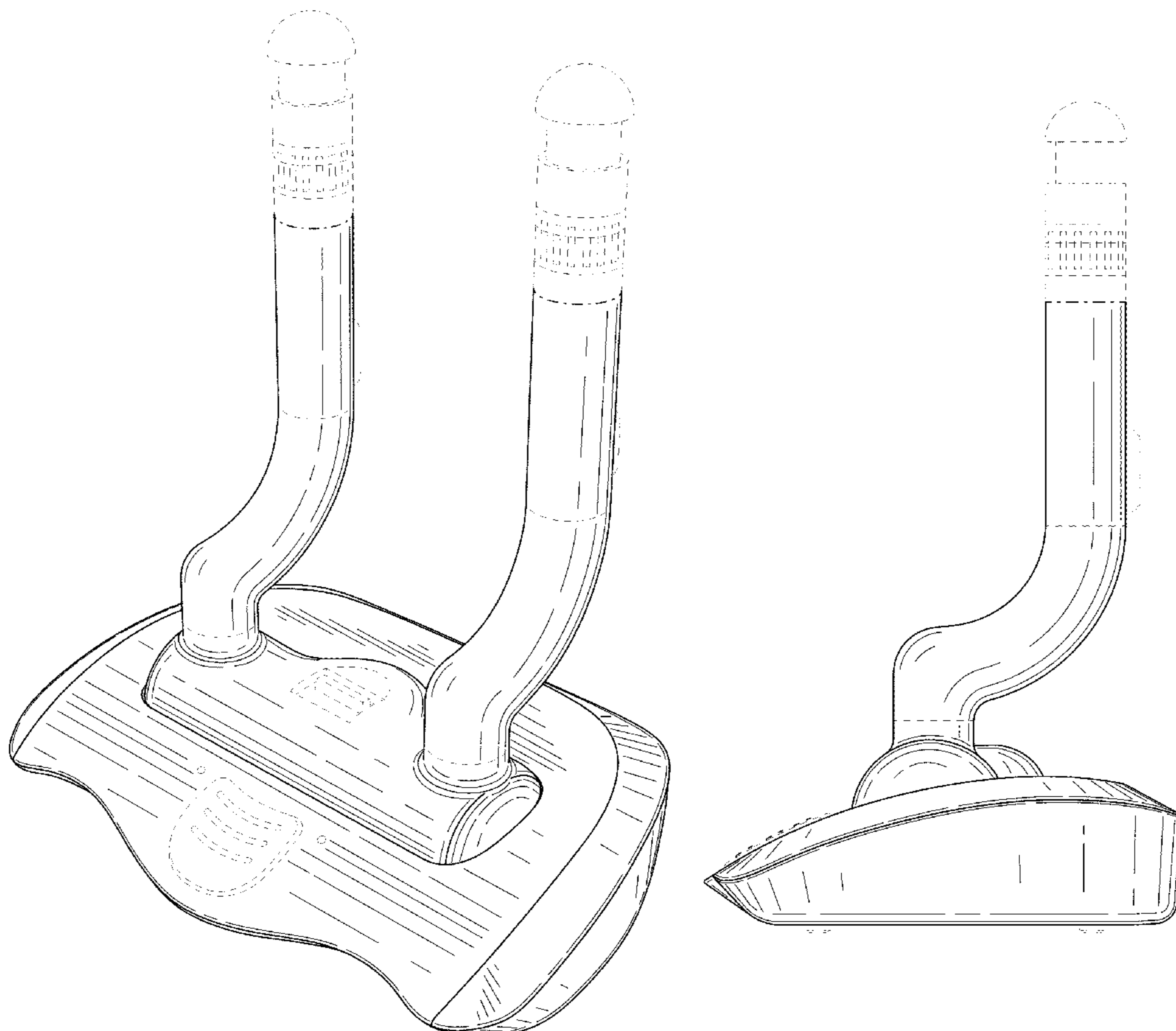
(57) **CLAIM**

I claim the ornamental design for a sanitizer device, as shown and described.

DESCRIPTION

FIG. 1 is a perspective view of a sanitizer device.
 FIG. 2 is a right side view of the sanitizer device shown in FIG. 1.
 FIG. 3 is a left side view of the sanitizer device shown in FIG. 1.
 FIG. 4 is a front view of the sanitizer device shown in FIG. 1.
 FIG. 5 is a rear view of the sanitizer device shown in FIG. 1.
 FIG. 6 is a top view of the sanitizer device shown in FIG. 1;
 and,
 FIG. 7 is a bottom view of the sanitizer device shown in FIG. 1.
 The broken lines illustrating the environment form no part of the claimed design. The broken lines which define the bounds of the claimed design form no part thereof.

1 Claim, 6 Drawing Sheets



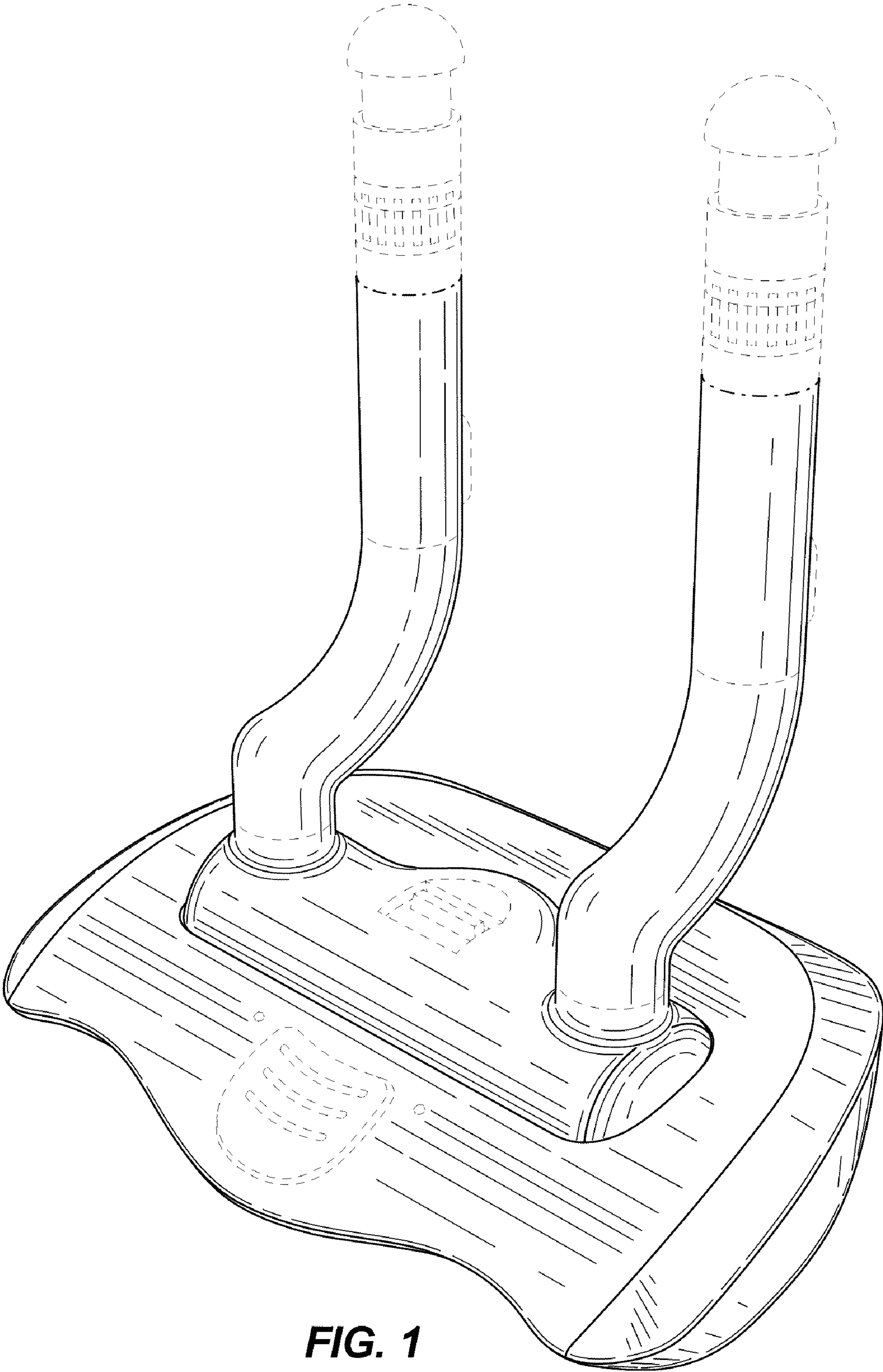


FIG. 1

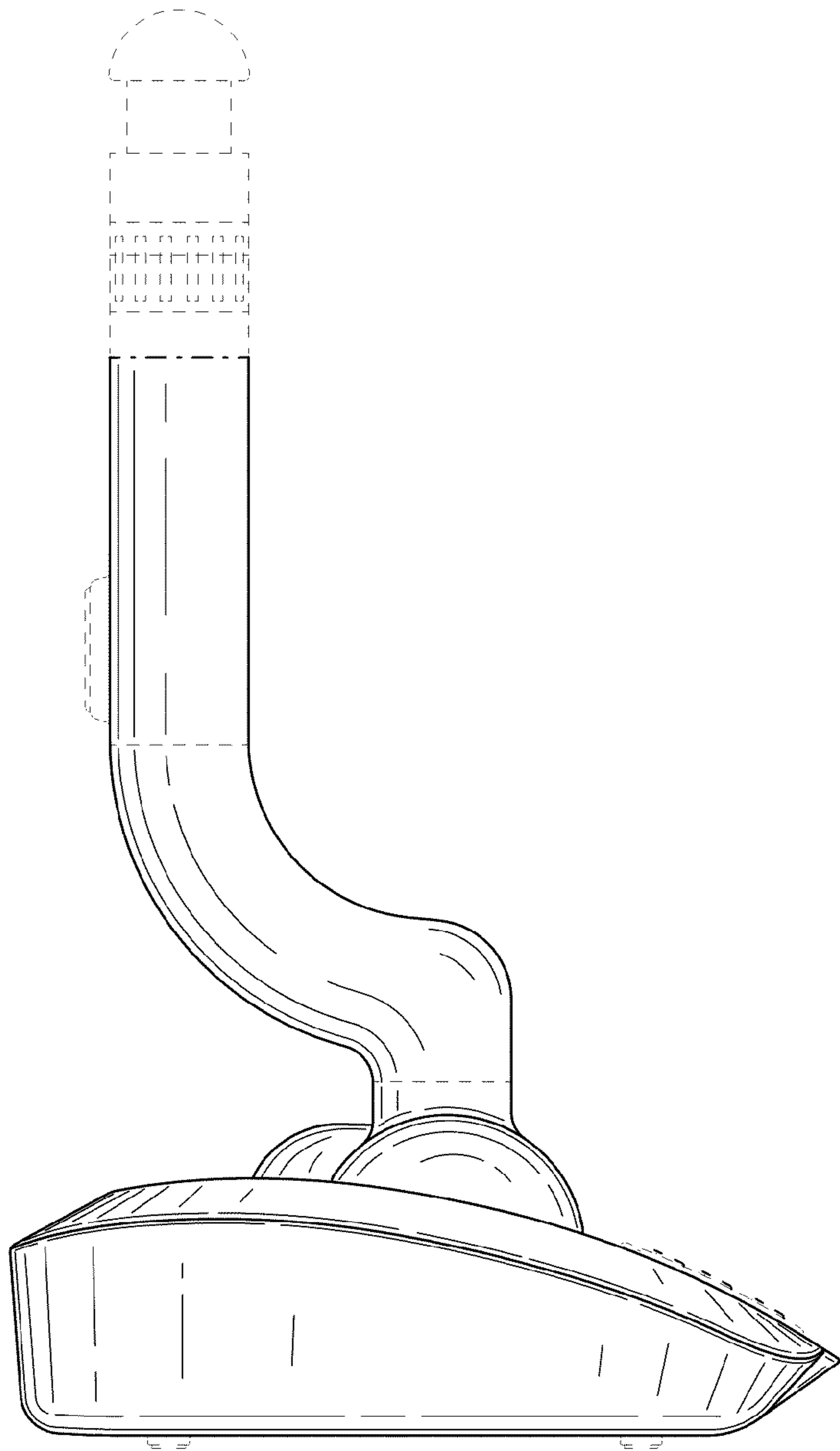


FIG. 2

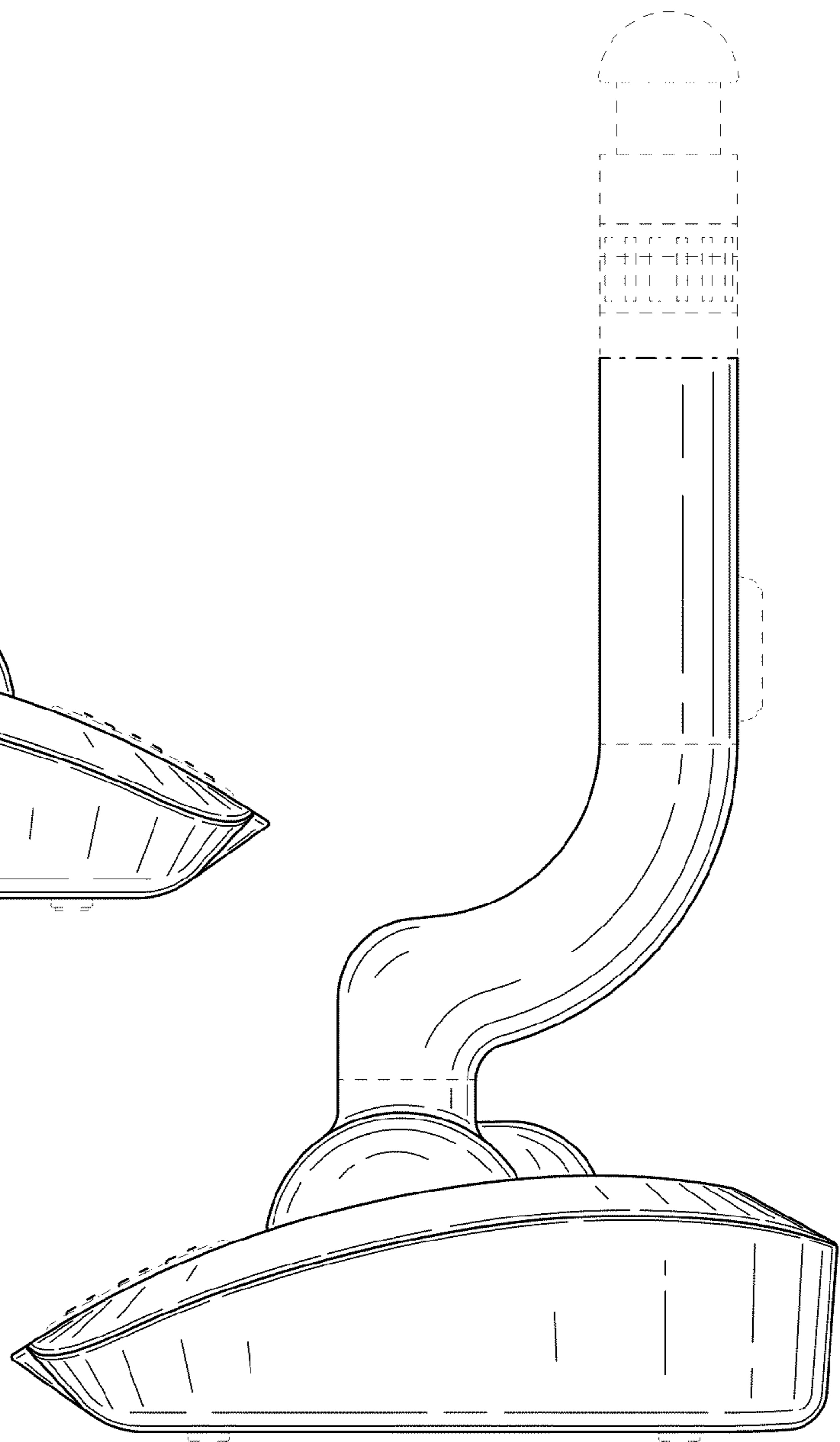


FIG. 3

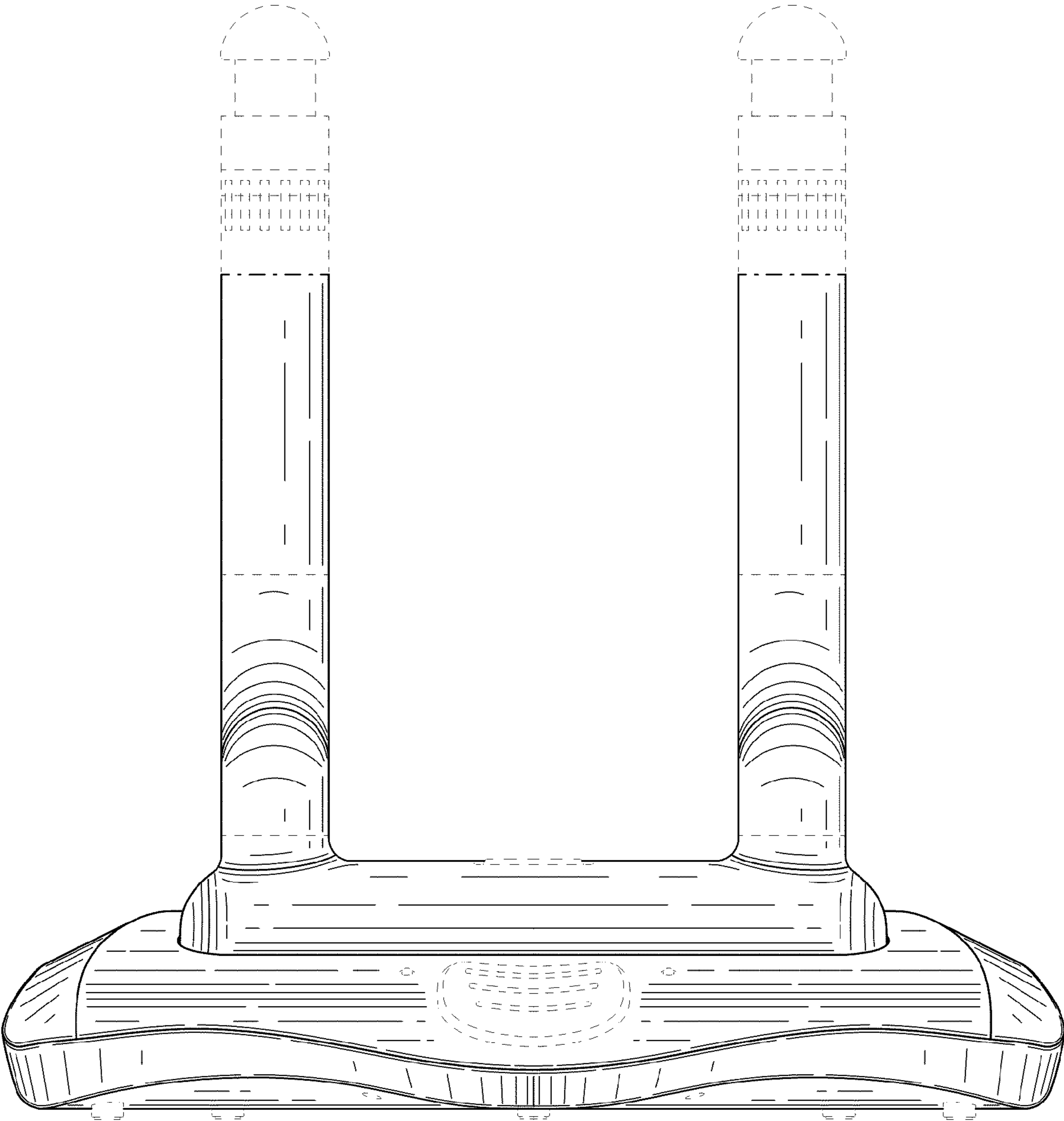


FIG. 4

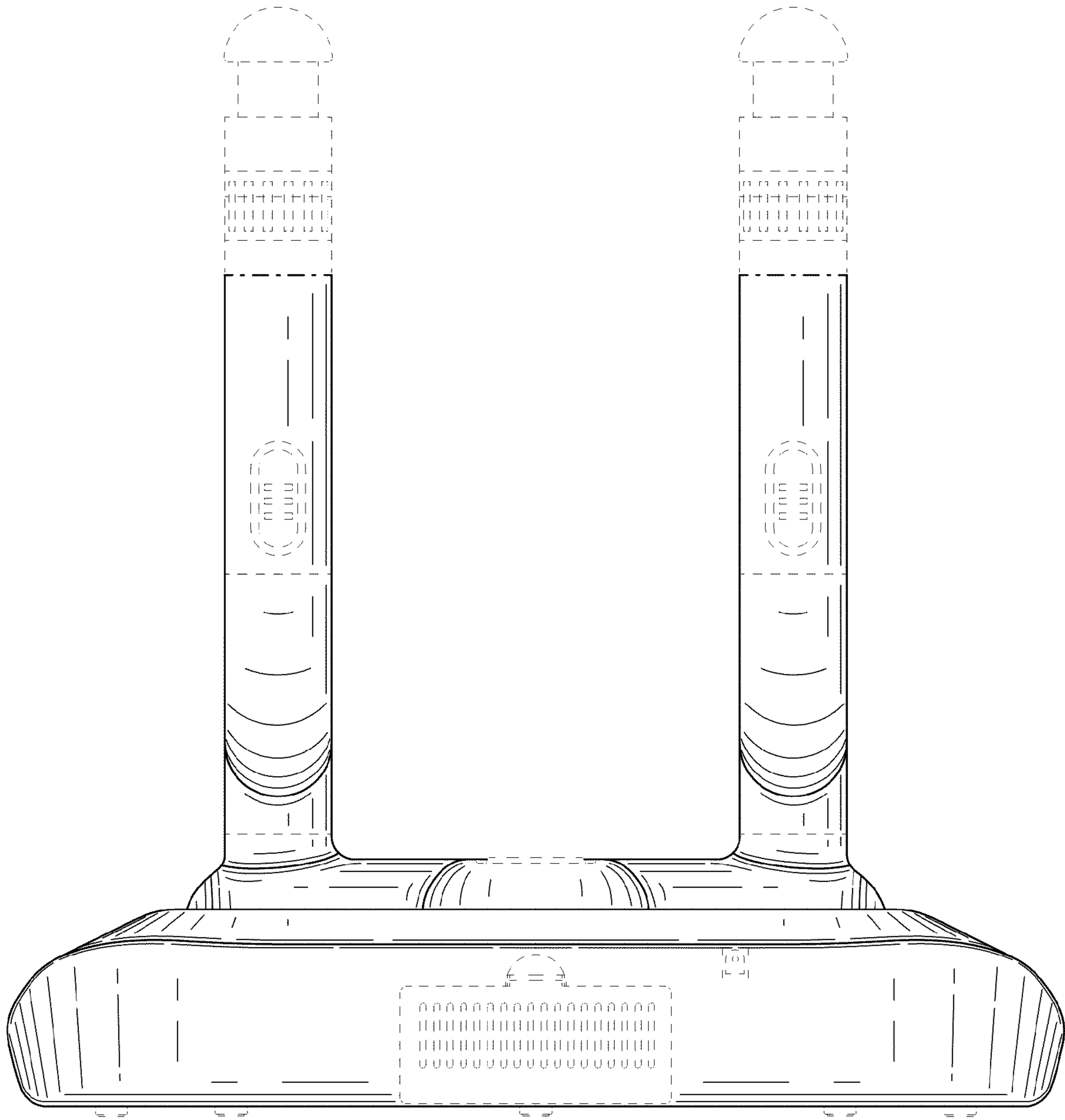


FIG. 5

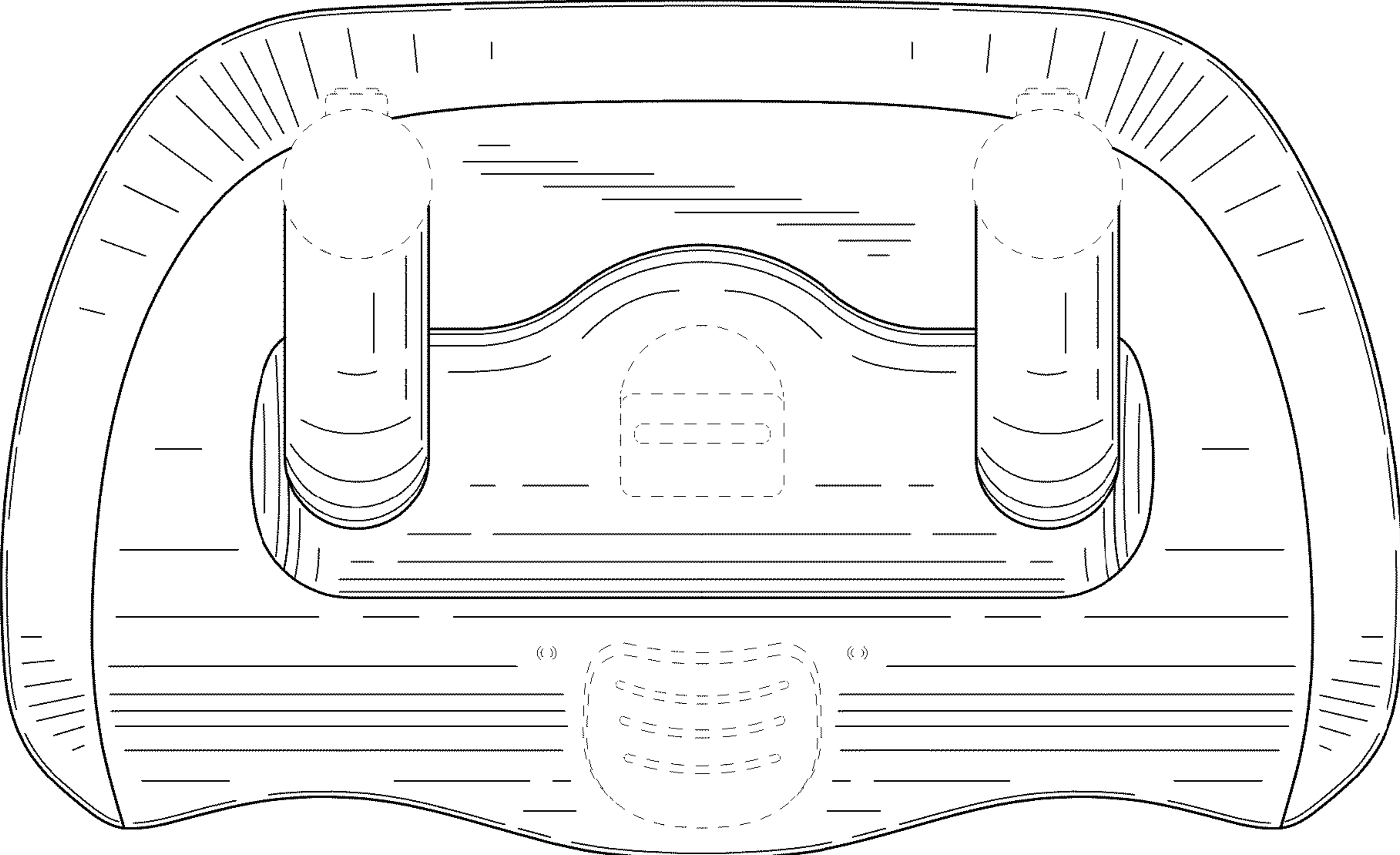


FIG. 6

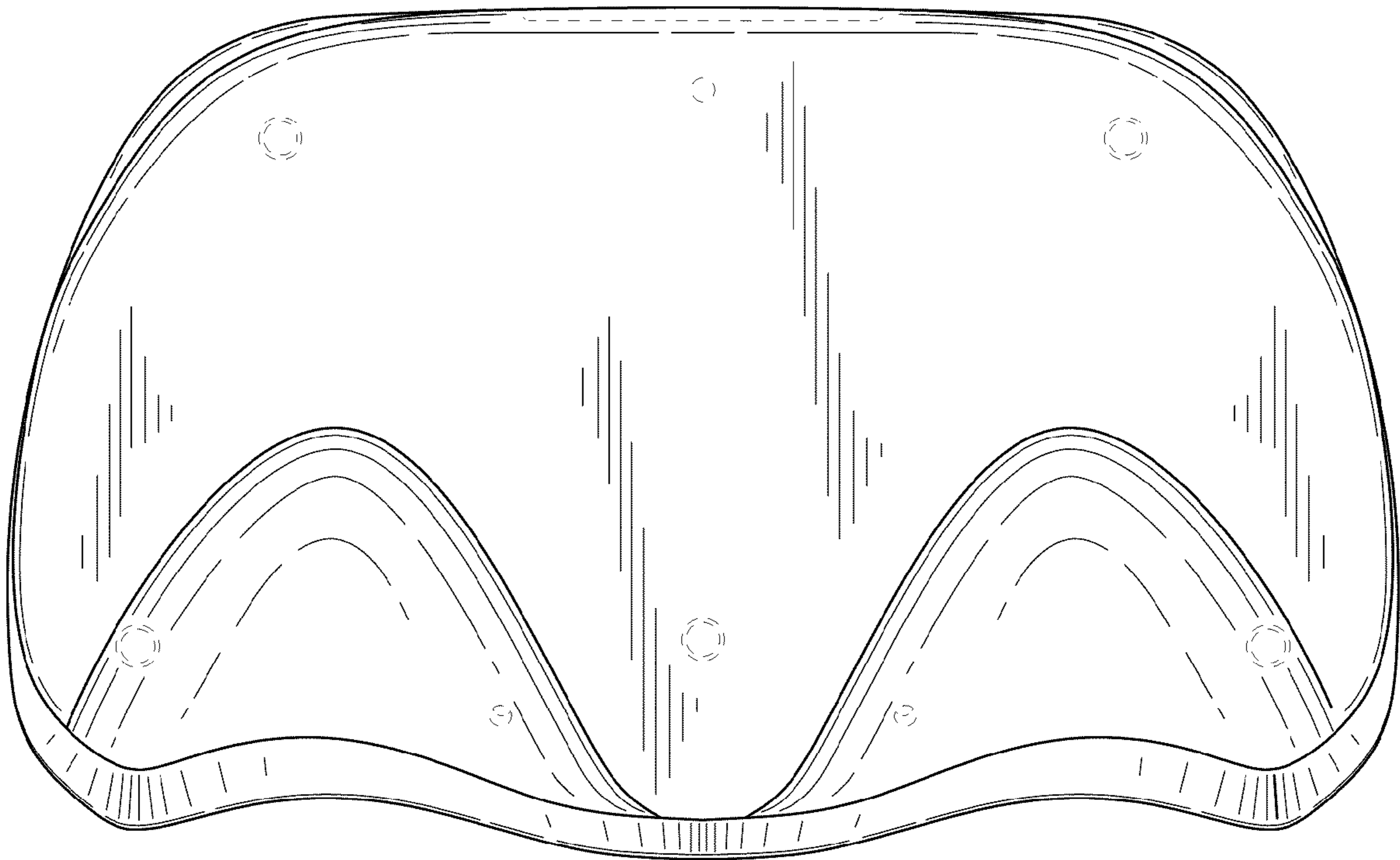


FIG. 7