



US00D641527S

(12) **United States Design Patent**
Regnier et al.

(10) **Patent No.:** **US D641,527 S**
(45) **Date of Patent:** **** Jul. 12, 2011**

(54) **CLEANING SPONGE**

(75) Inventors: **Diane L. Regnier**, Stillwater, MN (US);
Angie M. Olson, Hager City, WI (US);
Myhanh T. Truong, Cottage Grove, MN
(US); **Paul N. Daveloose**, St. Paul, MN
(US); **Bonnie C. Lembitz**, North St.
Paul, MN (US)

(73) Assignee: **3M Innovative Properties Company**,
St. Paul, MN (US)

(**) Term: **14 Years**

(21) Appl. No.: **29/361,294**

(22) Filed: **May 10, 2010**

(51) **LOC (9) Cl.** **04-01**

(52) **U.S. Cl.** **D32/40**

(58) **Field of Classification Search** D32/40-45;
D28/8.1, 8.2, 63; 15/244.1-244.4, 208, 209.1
See application file for complete search history.

(56) **References Cited**

U.S. PATENT DOCUMENTS

6,735,809 B2 * 5/2004 Parks 15/118

* cited by examiner

Primary Examiner — Robin Webster

(74) *Attorney, Agent, or Firm* — Trisha D. Adamson

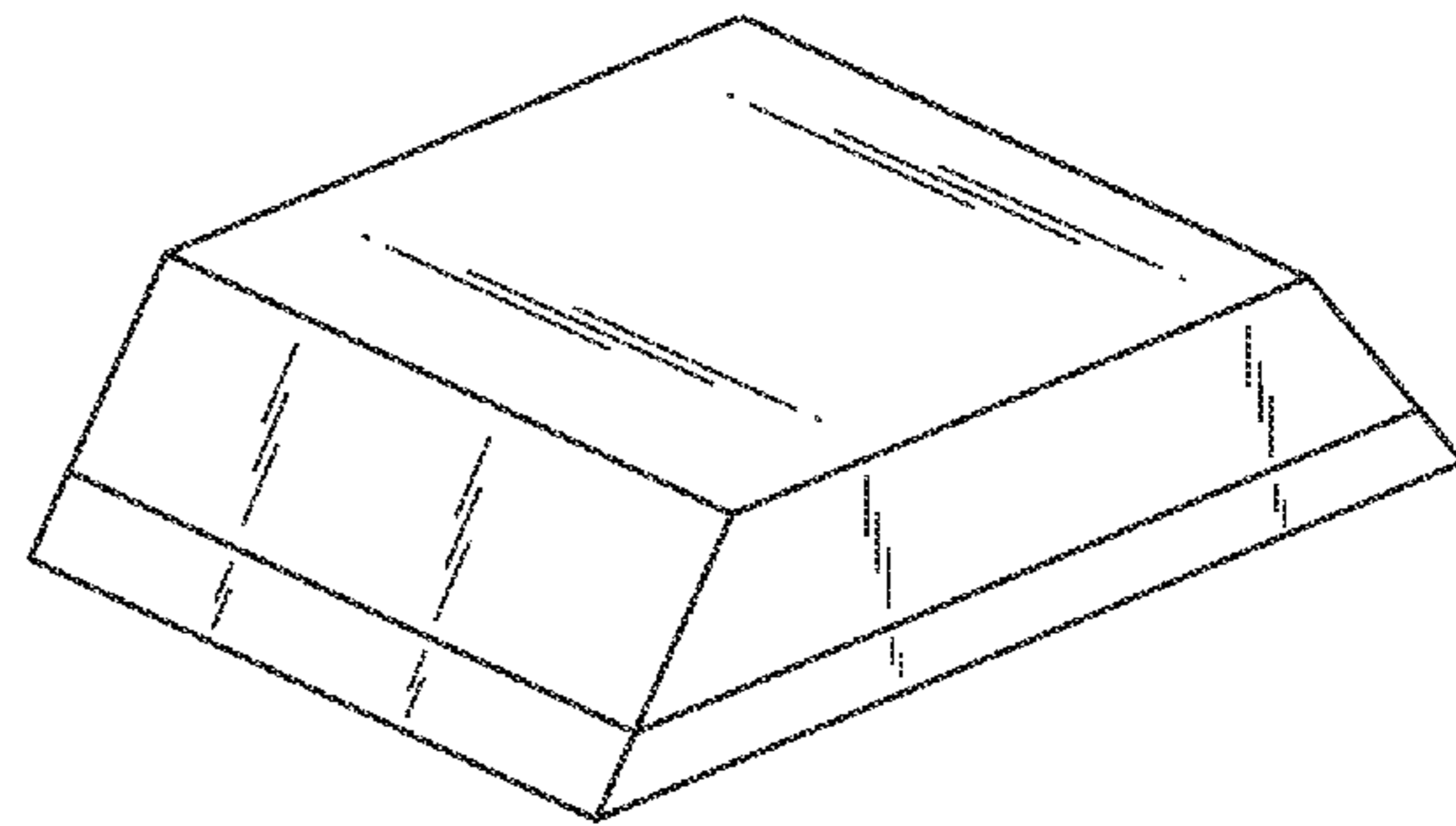
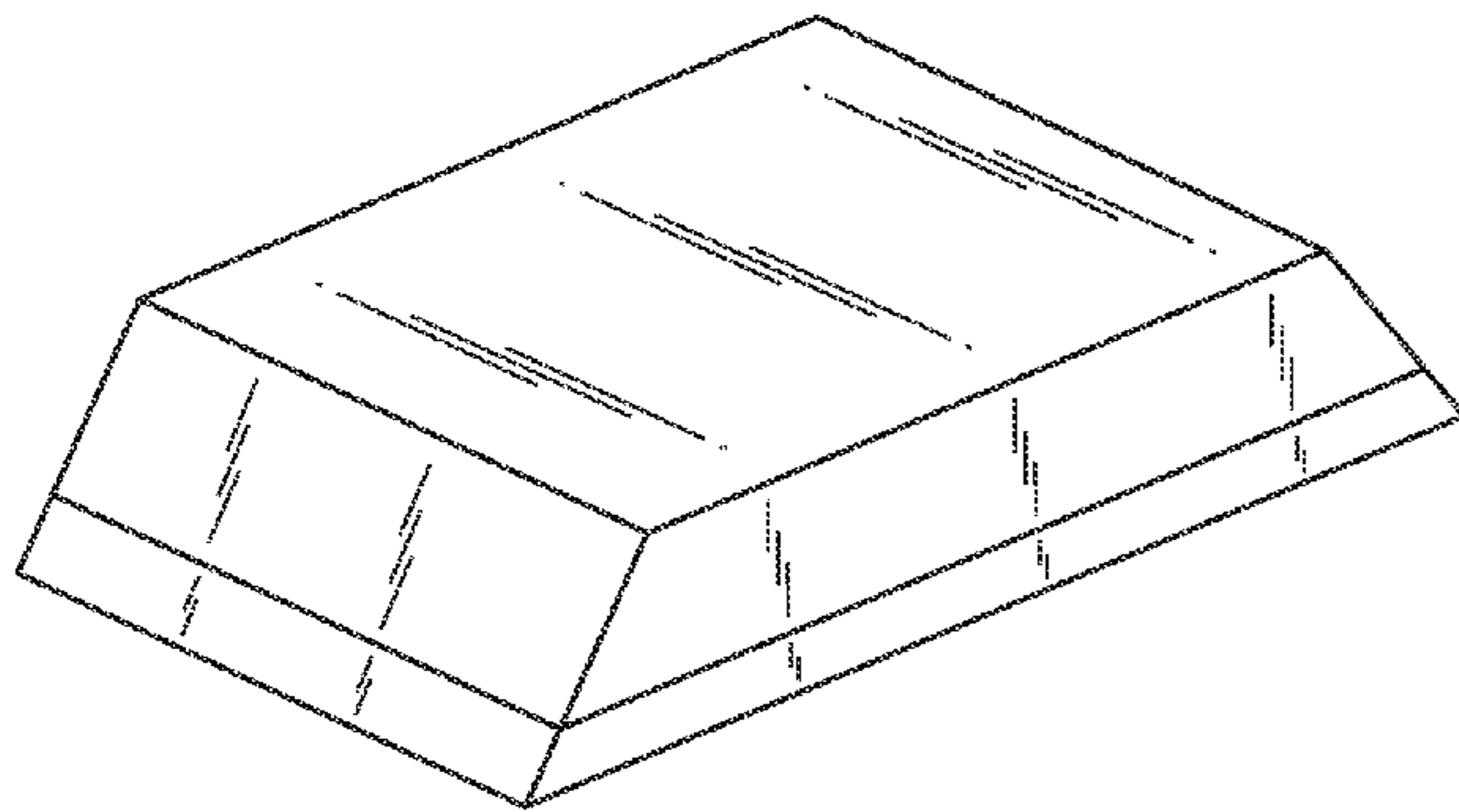
(57) **CLAIM**

The ornamental design for a cleaning sponge, as shown and described.

DESCRIPTION

FIG. 1 is a perspective view of a first embodiment showing the new design for a cleaning sponge;
FIG. 2 is a top view thereof;
FIG. 3 is a right side view thereof, the left side view being a mirror image thereof;
FIG. 4 is a front view thereof, the rear view being a mirror image thereof;
FIG. 5 is a perspective view of a second embodiment showing the new design for a cleaning sponge;
FIG. 6 is a top view thereof;
FIG. 7 is a right side view thereof, the left side view being a mirror image thereof; and,
FIG. 8 is a front view thereof, the rear view being a mirror image thereof.
The figures depict a two layer structure. Also, it is understood that the surface shading is not intended to be indicative of gloss or texture and forms no part of the claimed design.

1 Claim, 2 Drawing Sheets



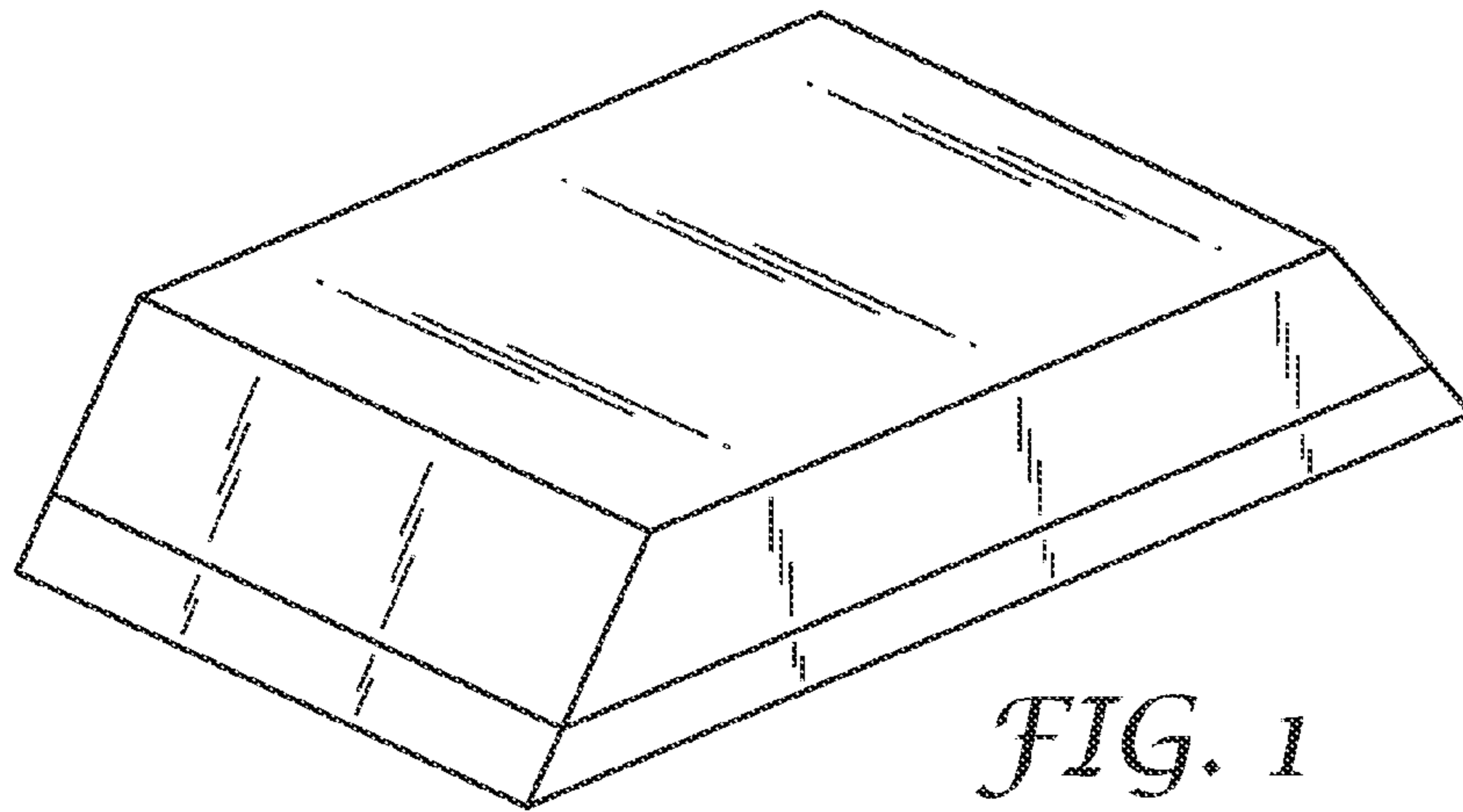


FIG. 1

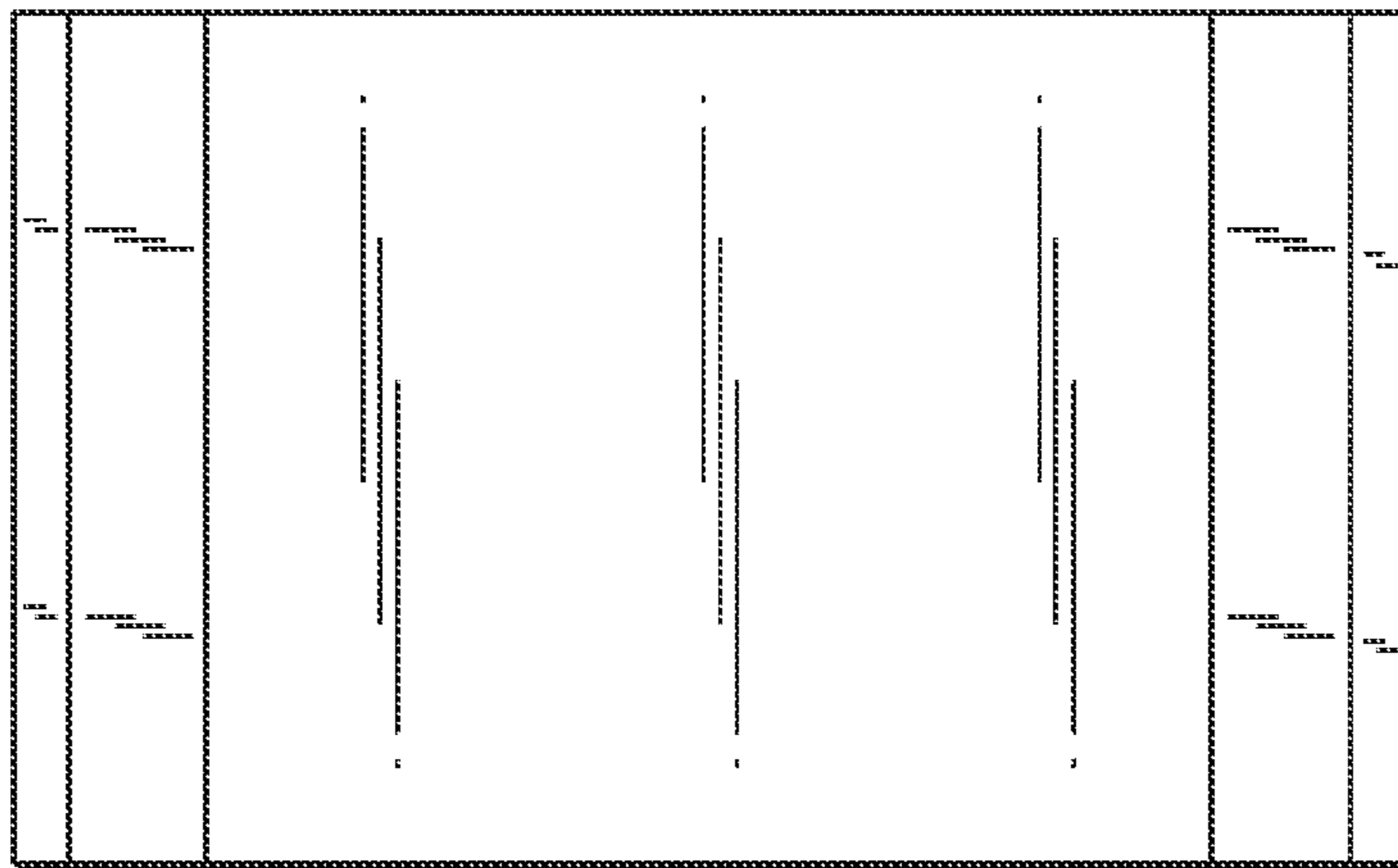


FIG. 2

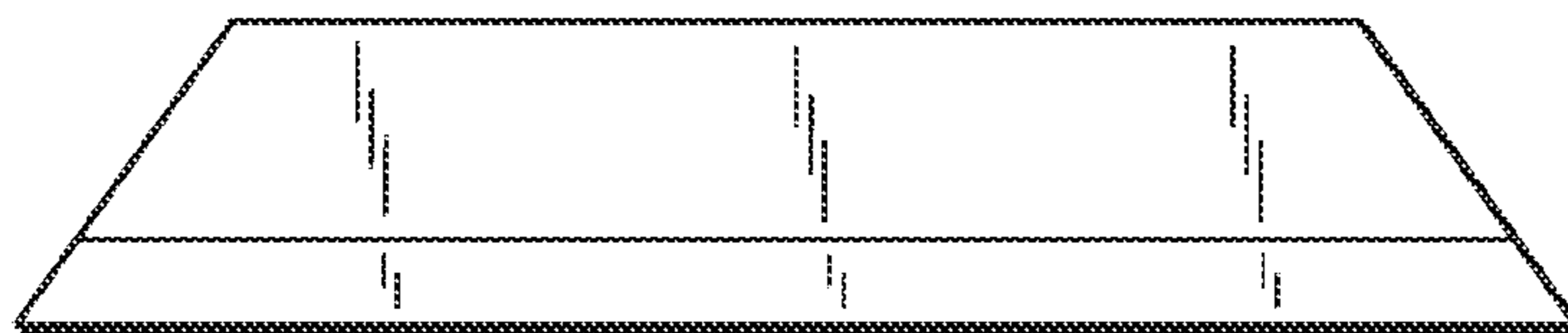


FIG. 3

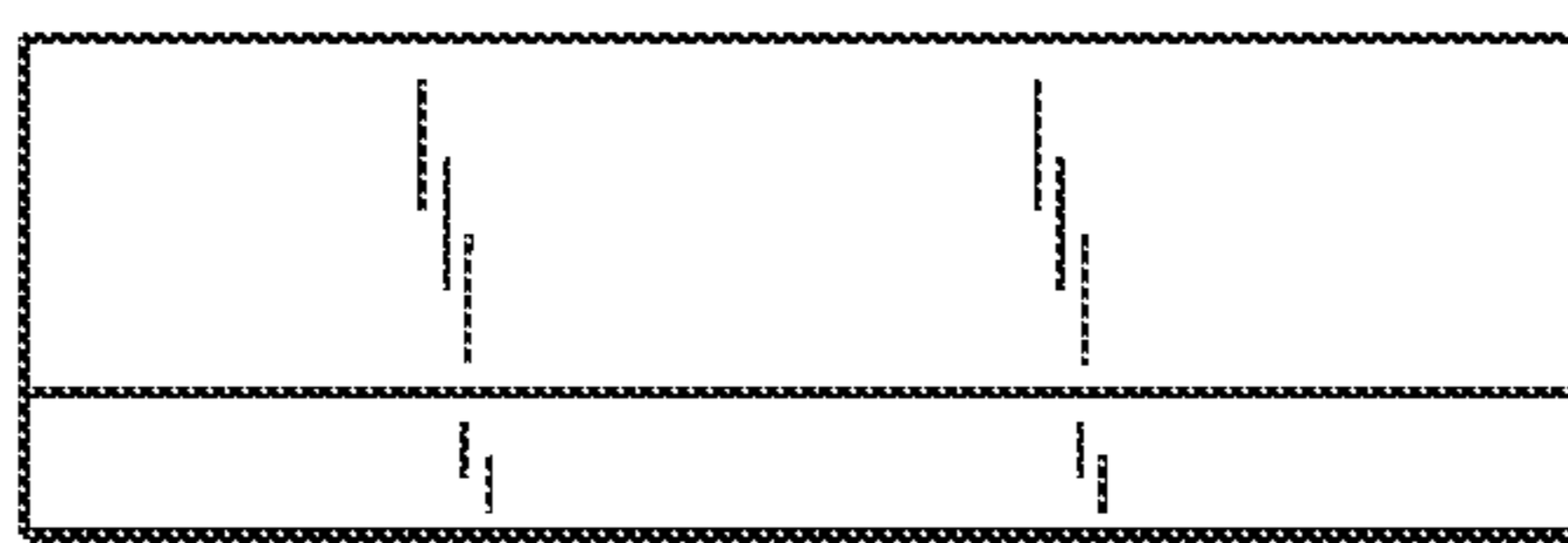


FIG. 4

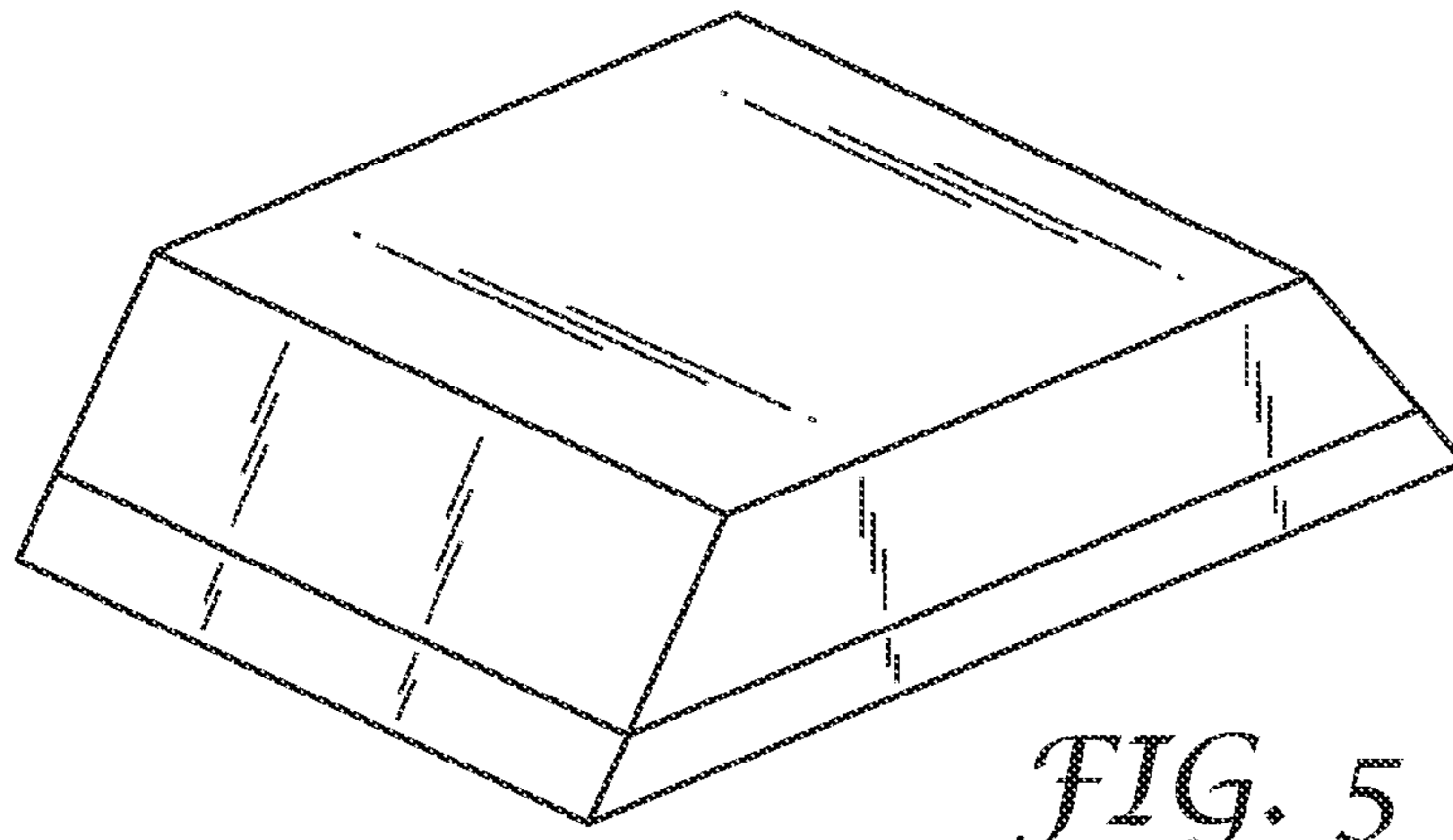


FIG. 5

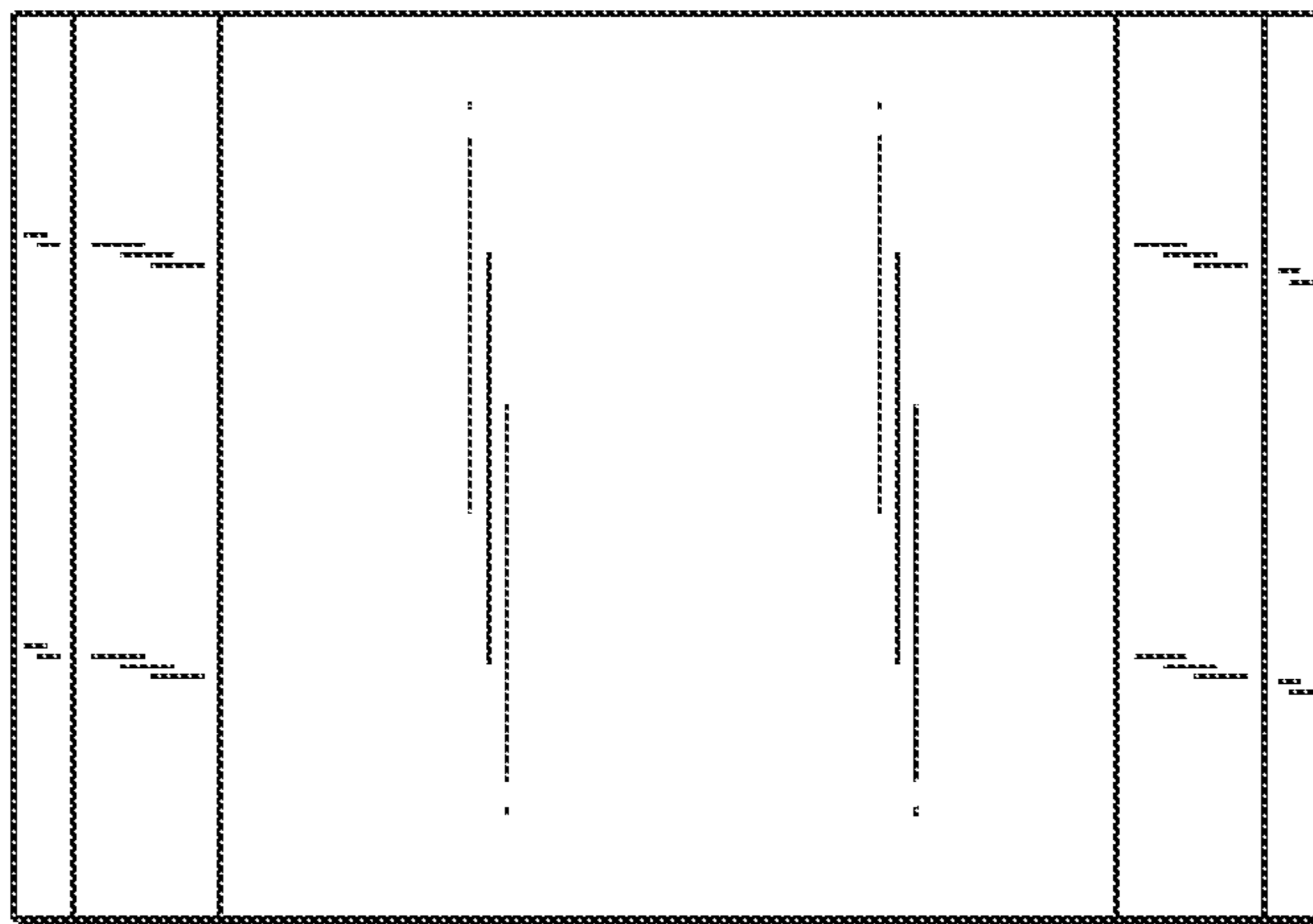


FIG. 6

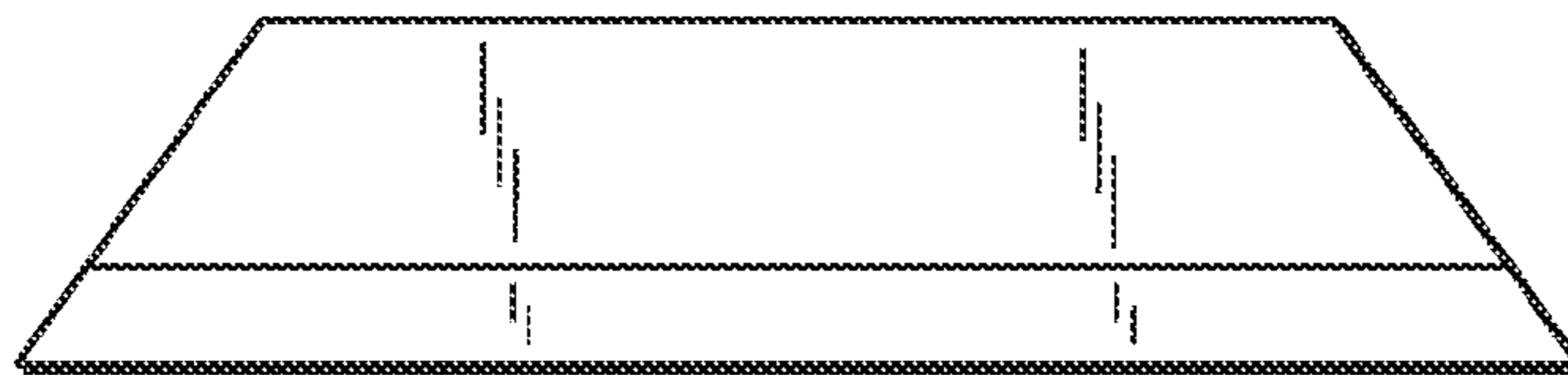


FIG. 7

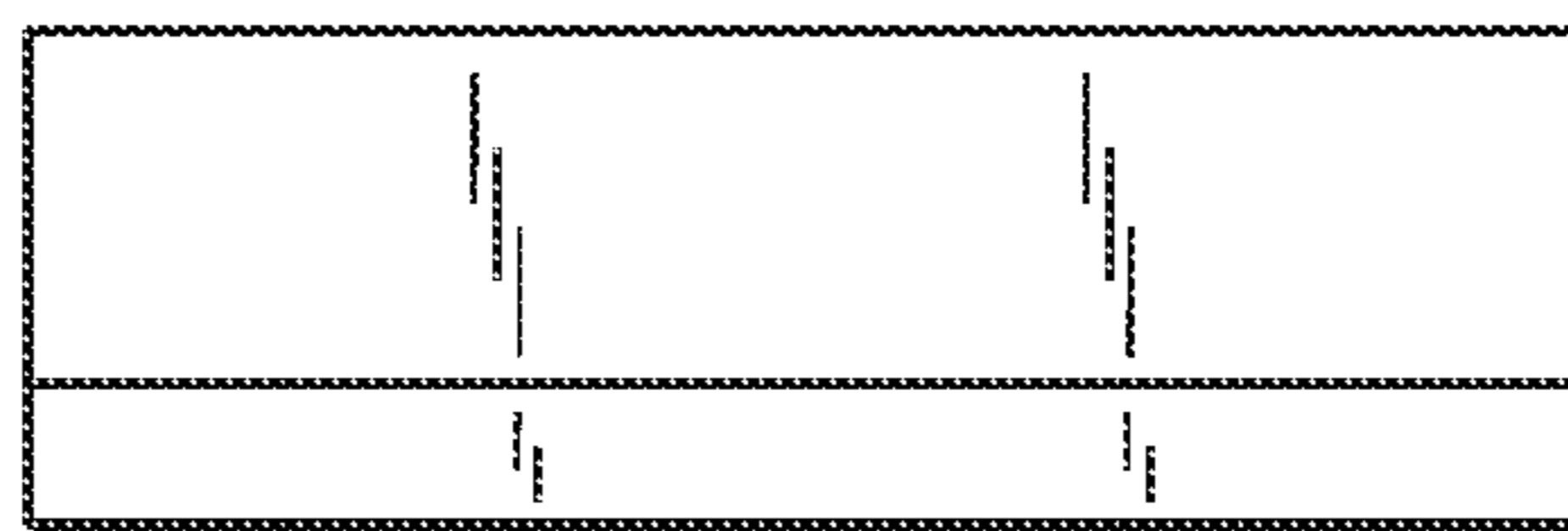


FIG. 8