



US00D641526S

(12) **United States Design Patent**
Brown et al.

(10) **Patent No.:** **US D641,526 S**
(45) **Date of Patent:** **** Jul. 12, 2011**

(54) **ANIMAL RESTRAINER**
(75) Inventors: **Michael F. Brown**, West Milford, NJ (US); **Abraham Yaniv**, Tel Aviv (IL); **Arnona Gazit**, Tel Aviv (IL); **Francis Gomes**, Lincoln Park, NJ (US); **David Landsberger**, Caldwell, NJ (US)
(73) Assignee: **Bel-Art Products**, Pequannock, NJ (US)
(**) Term: **14 Years**

(21) Appl. No.: **29/353,778**
(22) Filed: **Jan. 14, 2010**
(51) **LOC (9) Cl.** **30-04**
(52) **U.S. Cl.** **D30/151**
(58) **Field of Classification Search** D30/144, D30/151, 152, 158, 199; 119/729-737, 751, 119/752, 814, 815, 850, 837, 712, 714, 725, 119/497, 756, 757, 762, 766; 452/54; 383/71-76, 383/41, 42, 67; 128/873, 874; 5/494
See application file for complete search history.

(56) **References Cited**
U.S. PATENT DOCUMENTS
2,490,180 A * 12/1949 Varnedoe, Jr. 43/65
3,137,273 A * 6/1964 Greenwood 119/754
4,214,555 A * 7/1980 Sawby 119/723
5,109,801 A * 5/1992 Gahagan 119/751
5,320,069 A * 6/1994 Anderson et al. 119/751
5,383,425 A * 1/1995 Bleacher 119/729
D371,871 S 7/1996 Allamby
5,738,045 A * 4/1998 Bleacher 119/751
5,752,472 A * 5/1998 Jubinville et al. 119/728
5,925,005 A * 7/1999 May 602/6
5,927,234 A * 7/1999 Siegel 119/751
5,979,105 A * 11/1999 Marks 43/61
6,089,192 A * 7/2000 Gent 119/723
6,178,686 B1 * 1/2001 Batman 43/61
6,199,514 B1 * 3/2001 Jubinville et al. 119/728
6,502,531 B1 * 1/2003 Pound et al. 119/752

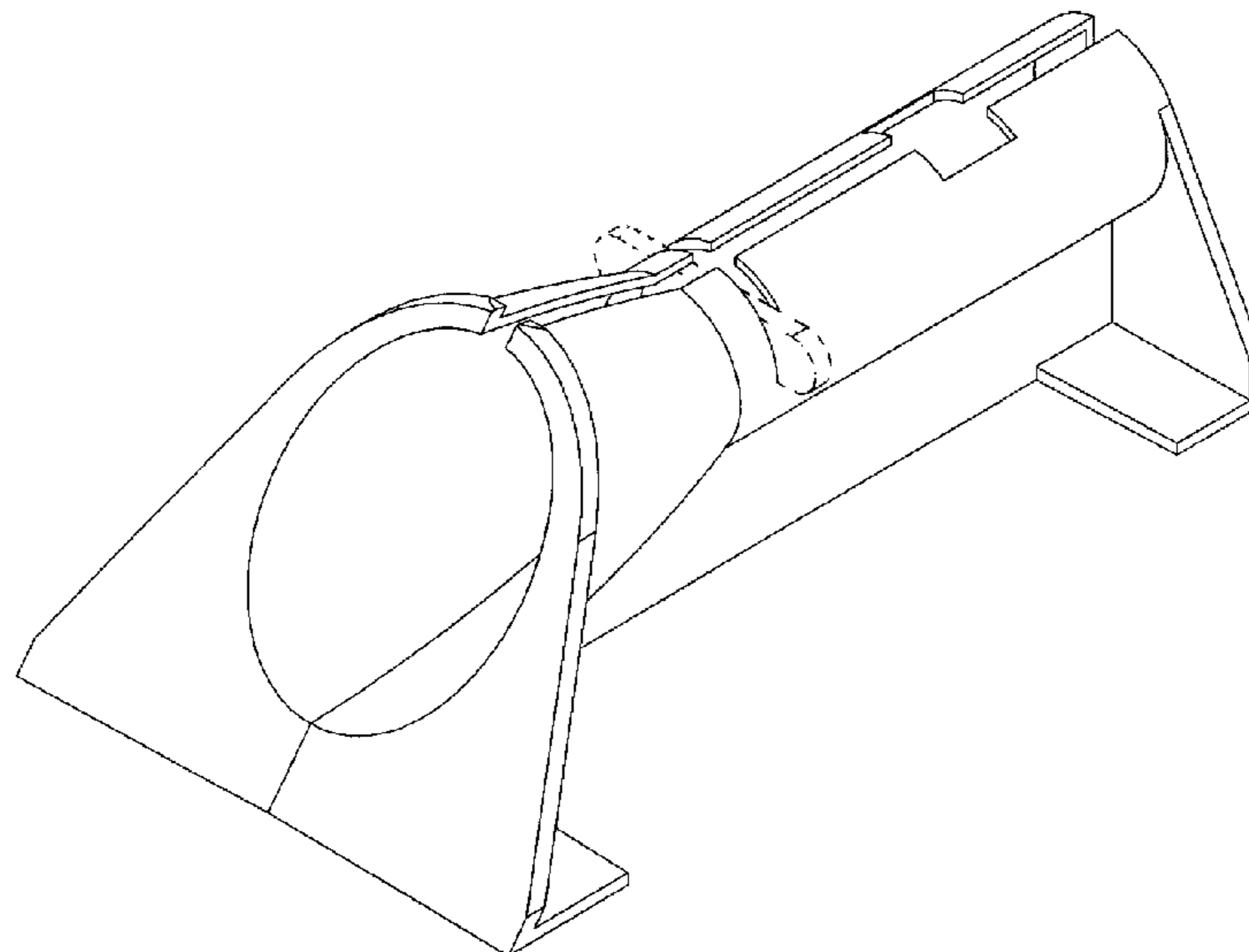
6,513,459 B2 * 2/2003 Linn 119/729
6,651,587 B1 * 11/2003 DeFord et al. 119/420
6,675,741 B2 * 1/2004 Remmler 119/755
D506,581 S 6/2005 Marlowe
7,036,454 B2 * 5/2006 Davis et al. 119/6.5
7,162,977 B1 * 1/2007 Charvat 119/751
7,617,800 B2 * 11/2009 Trescott 119/815
7,784,429 B2 * 8/2010 Chiodo 119/417
2002/0139318 A1 * 10/2002 Fergusson 119/732
2005/0132978 A1 * 6/2005 Bentz 119/732
2008/0127906 A1 * 6/2008 Williams et al. 119/733
* cited by examiner

Primary Examiner — Susan Moon Lee
(74) *Attorney, Agent, or Firm* — Lowenstein Sandler PC

(57) **CLAIM**
The ornamental design for an animal restrainer, as shown and described.

DESCRIPTION
FIG. 1 is a perspective view of an animal restrainer in accordance with a first embodiment of our new design;
FIG. 2 is a front elevational view thereof;
FIG. 3 is a rear elevational view thereof;
FIG. 4 is a side view thereof;
FIG. 5 is a bottom plan view thereof;
FIG. 6 is a top perspective view thereof;
FIG. 7 is a perspective view of a second embodiment of the animal restrainer of FIG. 1, the only difference being the configuration of the cavity and insertion of two additional slots, it being understood that all other surfaces are the same as those of the first embodiment.
FIG. 8 is a front elevational view thereof;
FIG. 9 is a rear elevational view thereof;
FIG. 10 is a side view thereof;
FIG. 11 is a bottom plan view thereof; and,
FIG. 12 is a top perspective view thereof.
The portions shown in broken line are not claimed.

1 Claim, 8 Drawing Sheets



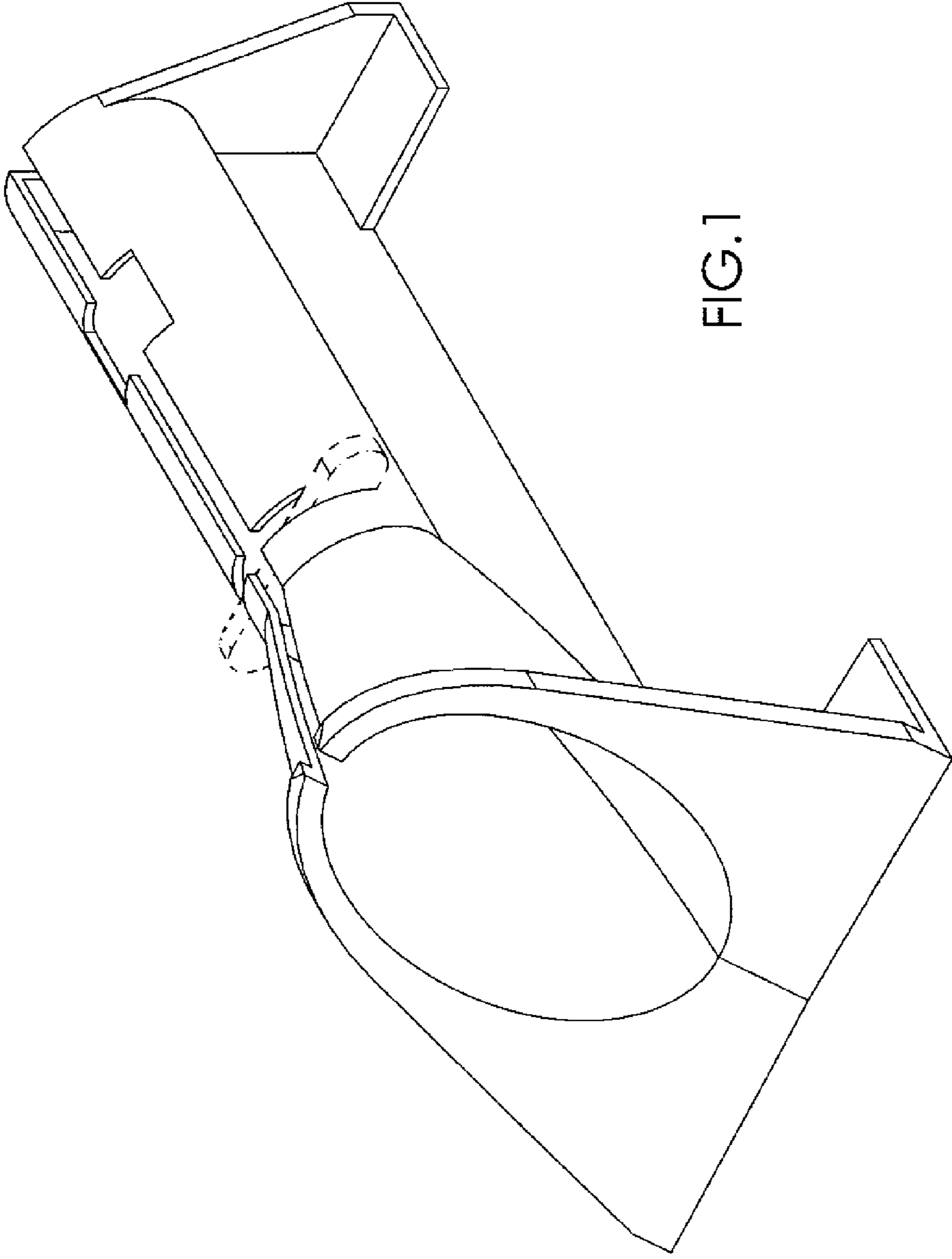


FIG. 1

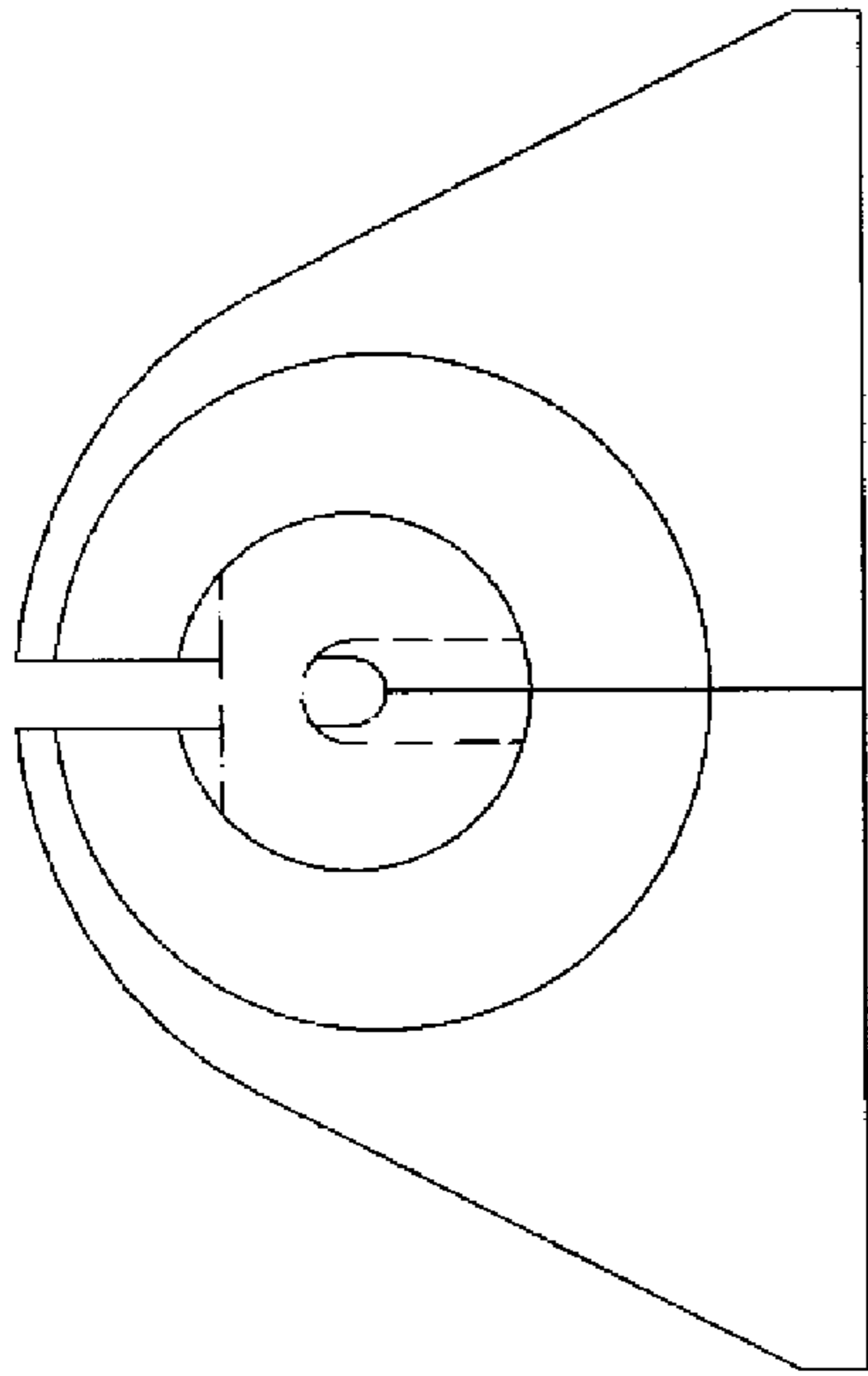


FIG. 2

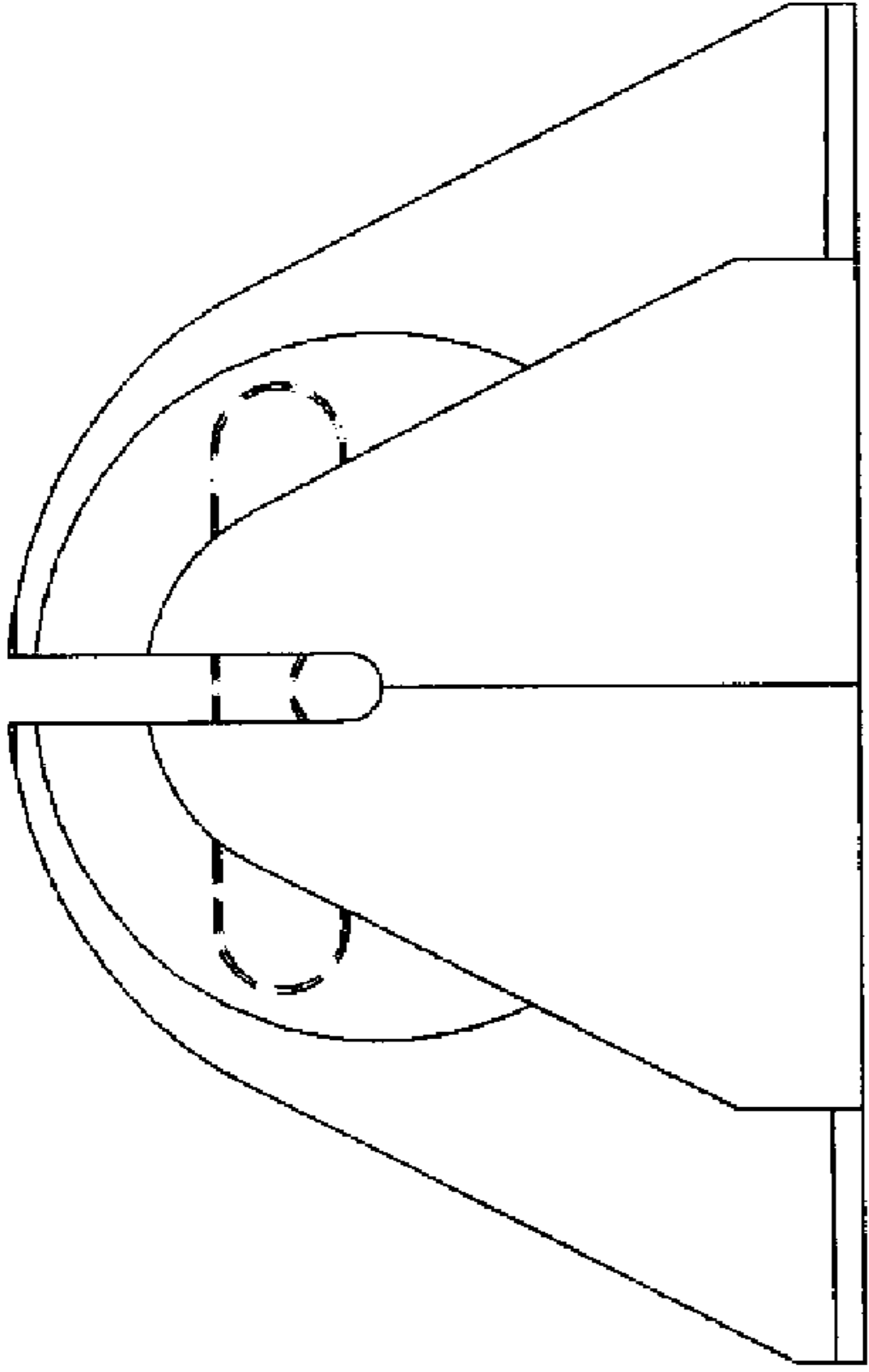


FIG. 3

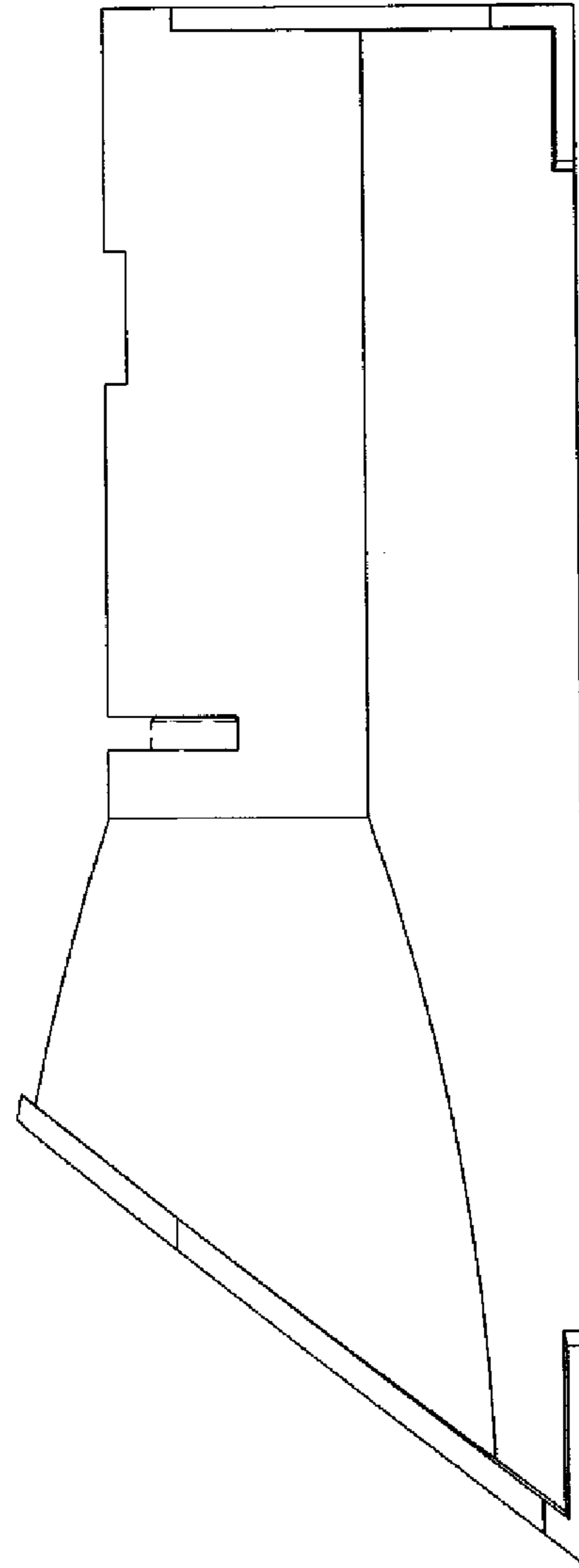


FIG. 4

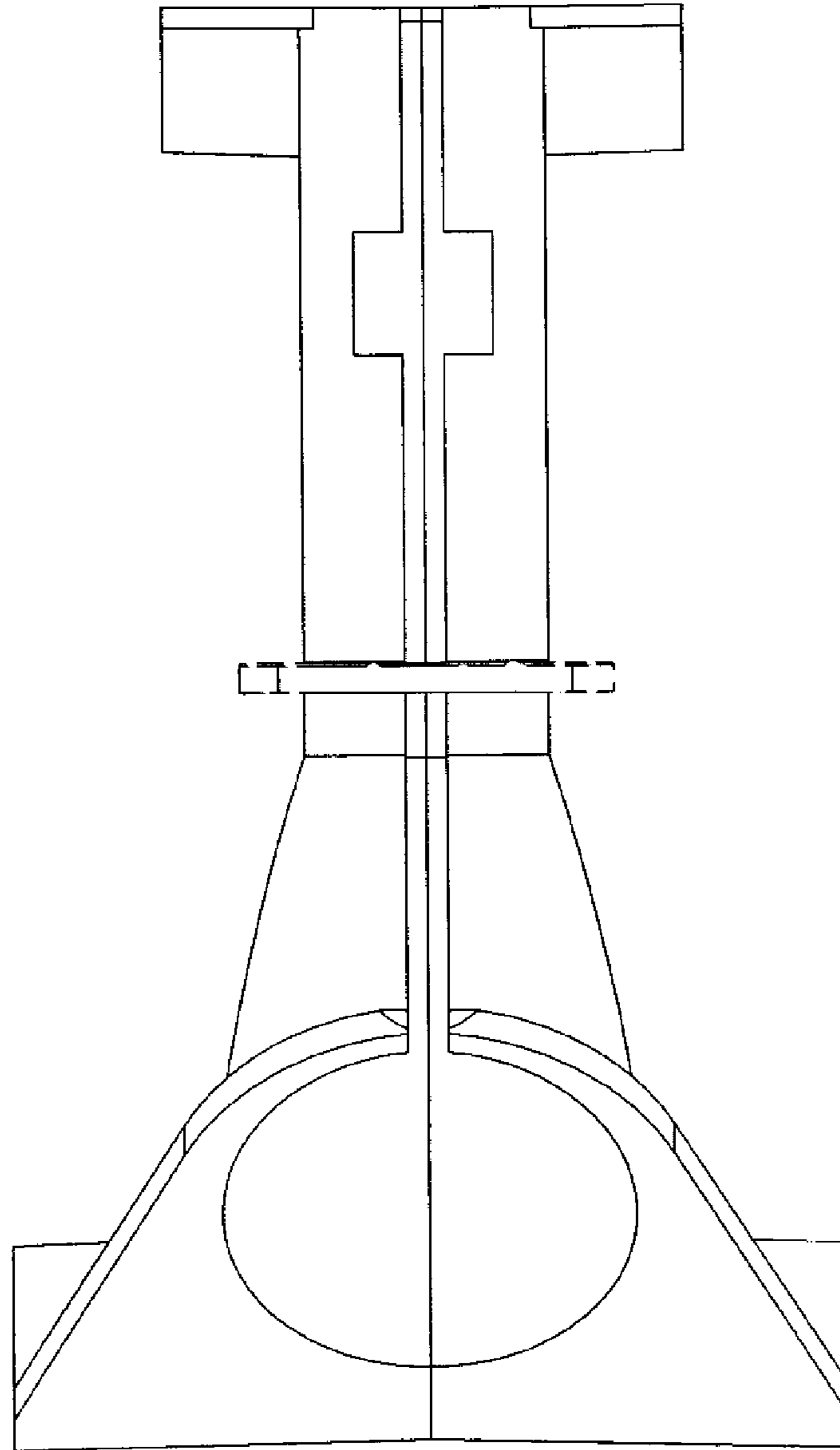


FIG. 5

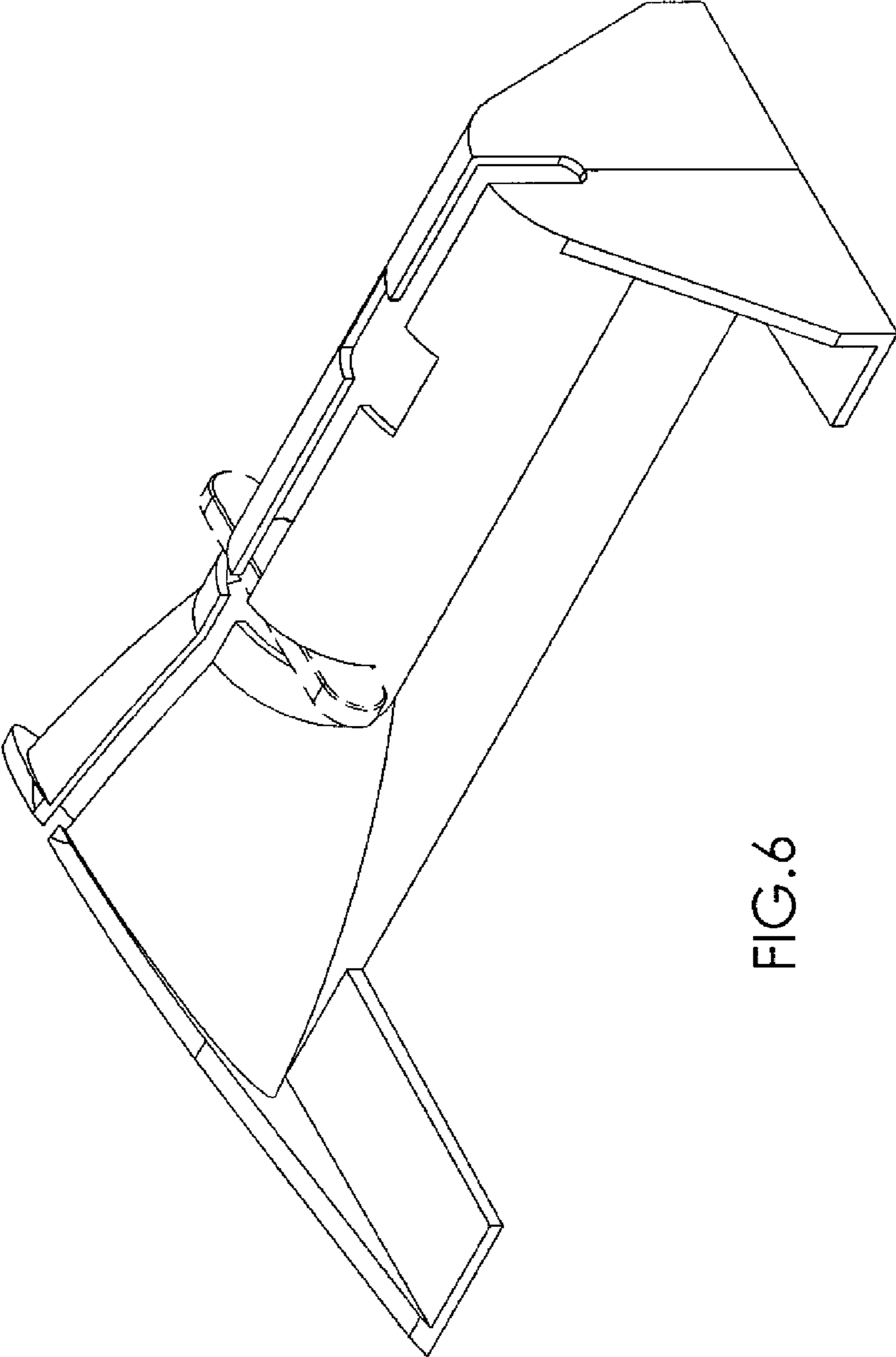


FIG.6

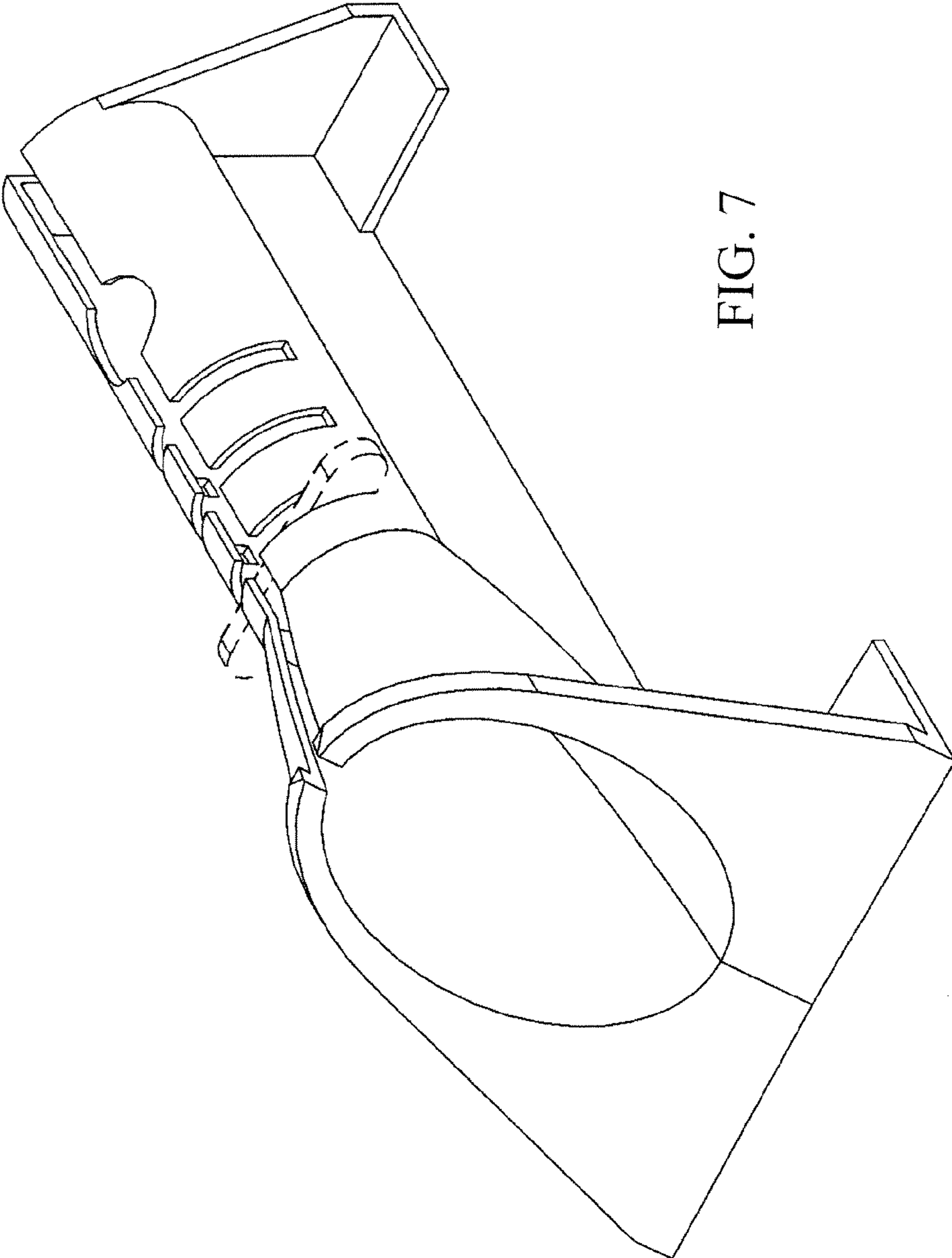


FIG. 7

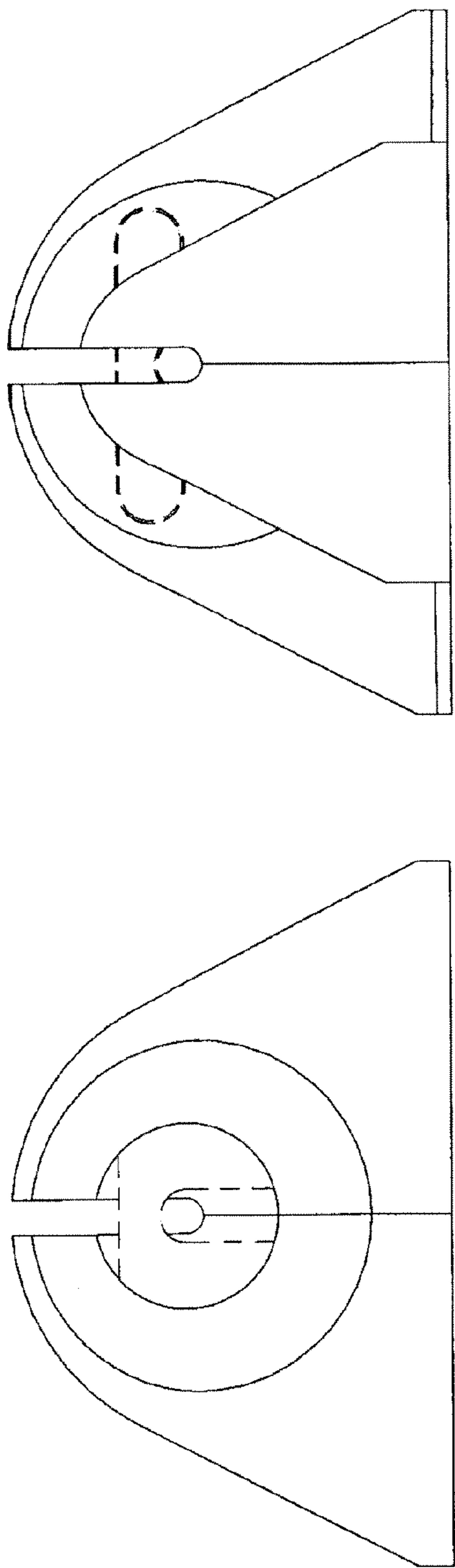


FIG. 8

FIG. 9

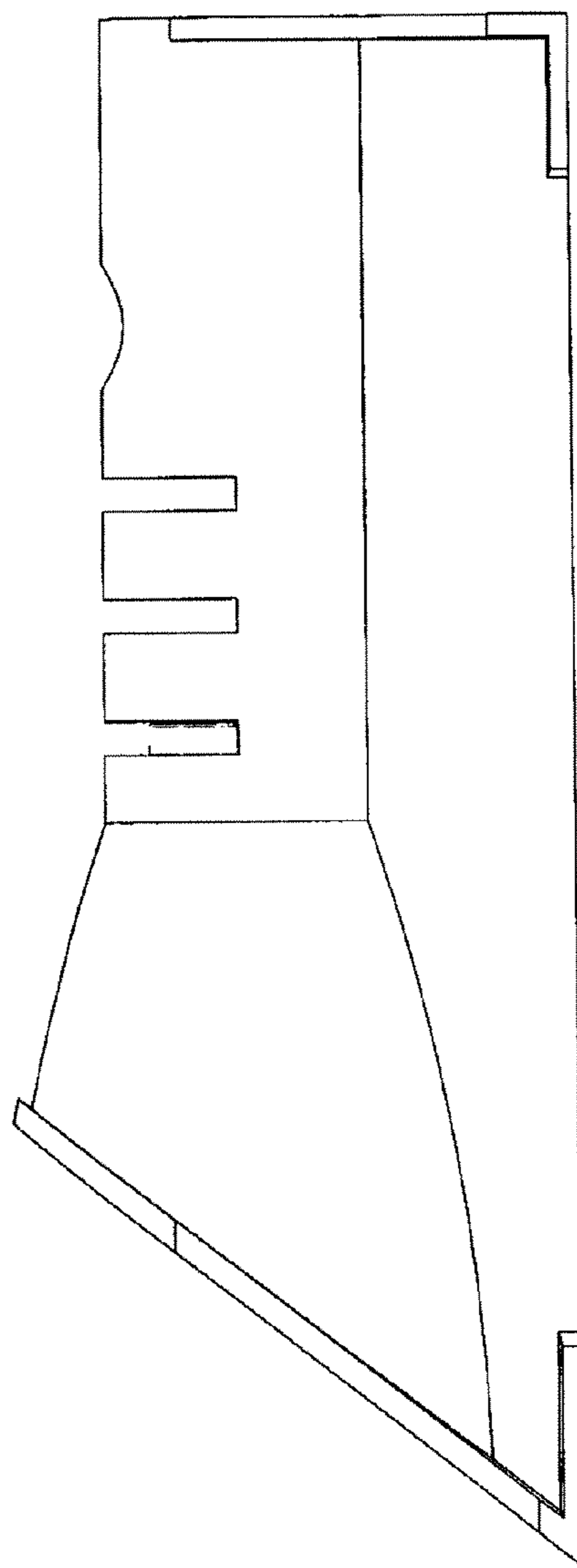


FIG. 10

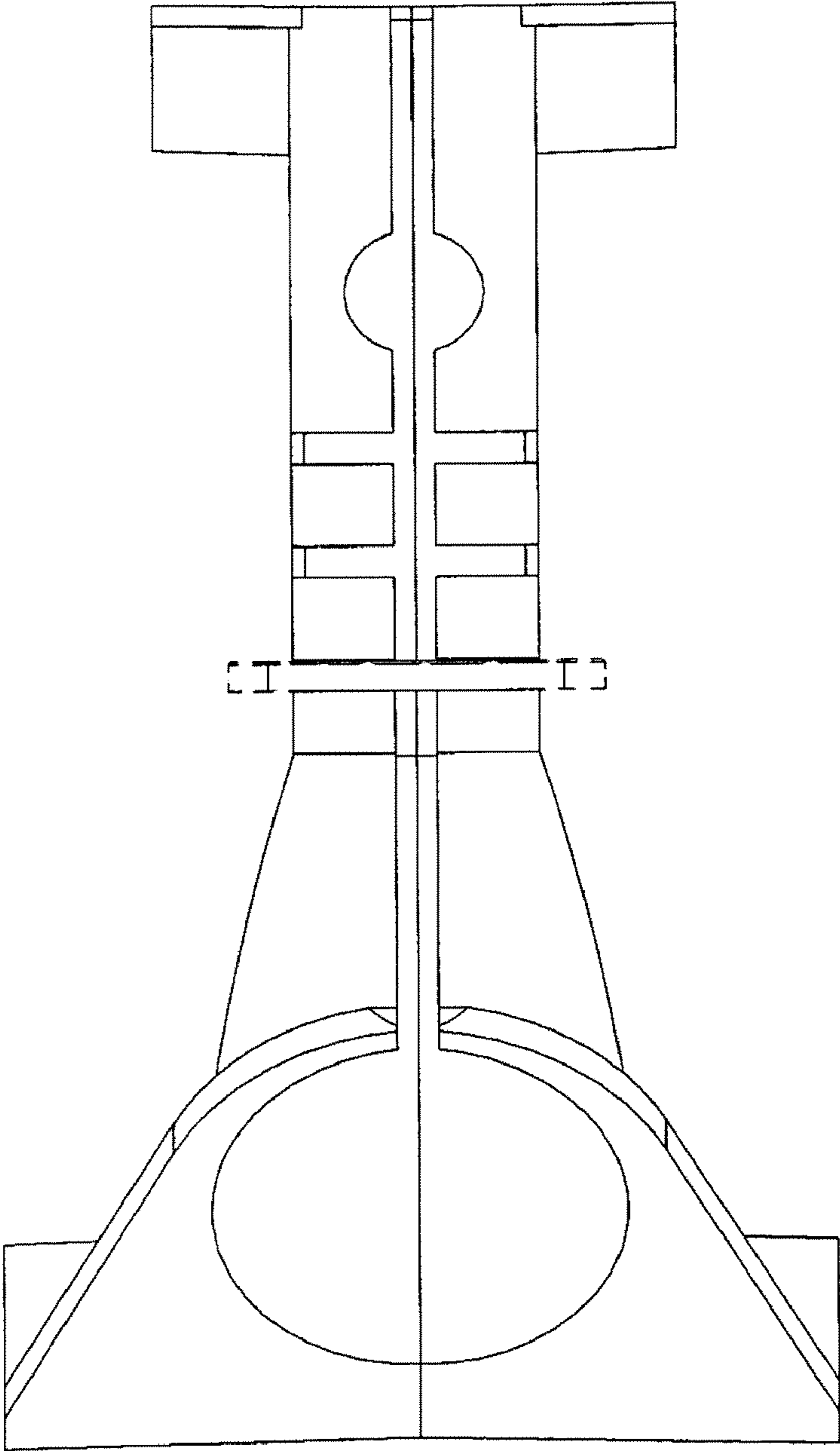


FIG. 11

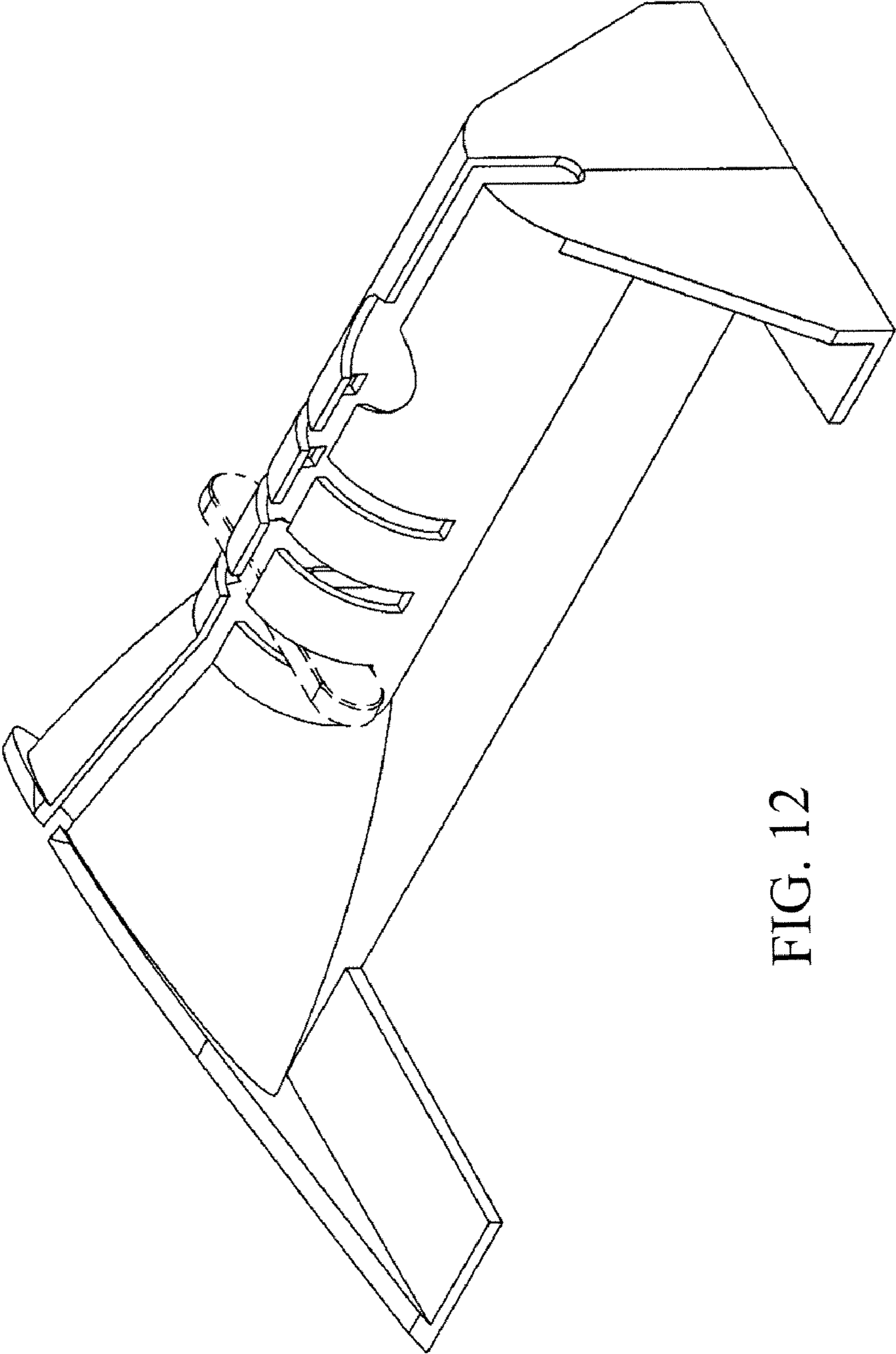


FIG. 12