



US00D641521S

(12) **United States Design Patent**  
**Parodi**

(10) **Patent No.:** **US D641,521 S**

(45) **Date of Patent:** **\*\* Jul. 12, 2011**

(54) **HAND-HELD ELECTRIC HAIR DRYER**

(75) Inventor: **Paolo Parodi**, Milan (IT)

(73) Assignee: **Parlux SpA**, Trezzano Sul Naviglio (Milano) (IT)

(\*\*) Term: **14 Years**

(21) Appl. No.: **29/347,936**

(22) Filed: **Aug. 10, 2010**

(30) **Foreign Application Priority Data**

Apr. 20, 2010 (EM) ..... 1697897-0002

(51) **LOC (9) Cl.** ..... **28-03**

(52) **U.S. Cl.** ..... **D28/13**

(58) **Field of Classification Search** ..... D28/12-19;  
34/96-101; 392/380-385; 219/222

See application file for complete search history.

(56) **References Cited**

**U.S. PATENT DOCUMENTS**

D460,214 S *	7/2002	Parodi	.....	D28/13
D494,710 S *	8/2004	Parodi	.....	D28/13
D496,754 S *	9/2004	Parodi	.....	D28/13
D528,698 S *	9/2006	Rizzuto, Jr.	.....	D28/13
D543,313 S *	5/2007	Petrucelli, Jr.	.....	D28/13
D544,147 S *	6/2007	Baudouin	.....	D28/13

D600,406 S *	9/2009	Leung	.....	D28/13
D604,898 S *	11/2009	Parodi	.....	D28/13
D606,247 S *	12/2009	Yu et al.	.....	D28/13

\* cited by examiner

*Primary Examiner* — Zenia Bennett

(74) *Attorney, Agent, or Firm* — Jacobson Holman PLLC

(57) **CLAIM**

I claim the ornamental design for the hand-held electric hair dryer, substantially as shown and described.

**DESCRIPTION**

FIG. 1 is a right-hand side view of the hand-held electric hair dryer showing my new design,

FIG. 2 is a front elevation view of the hand-held electric hair dryer as shown in FIG. 1,

FIG. 3 is a rear elevation view of the hand-held electric hair dryer as shown in FIG. 1,

FIG. 4 is a left-hand side view of the hand-held electric hair dryer as shown in FIG. 1,

FIG. 5 is a top view of the hand-held electric hair dryer as shown in FIG. 1,

FIG. 6 is a bottom view of the hand-held electric hair dryer as shown in FIG. 1,

FIG. 7 is a front perspective view of the hand-held electric hair dryer as shown in FIG. 1; and,

FIG. 8 is a rear perspective view thereof.

The portion shown in broken lines is for illustrative purpose only and forms no part of the claimed design.

**1 Claim, 8 Drawing Sheets**

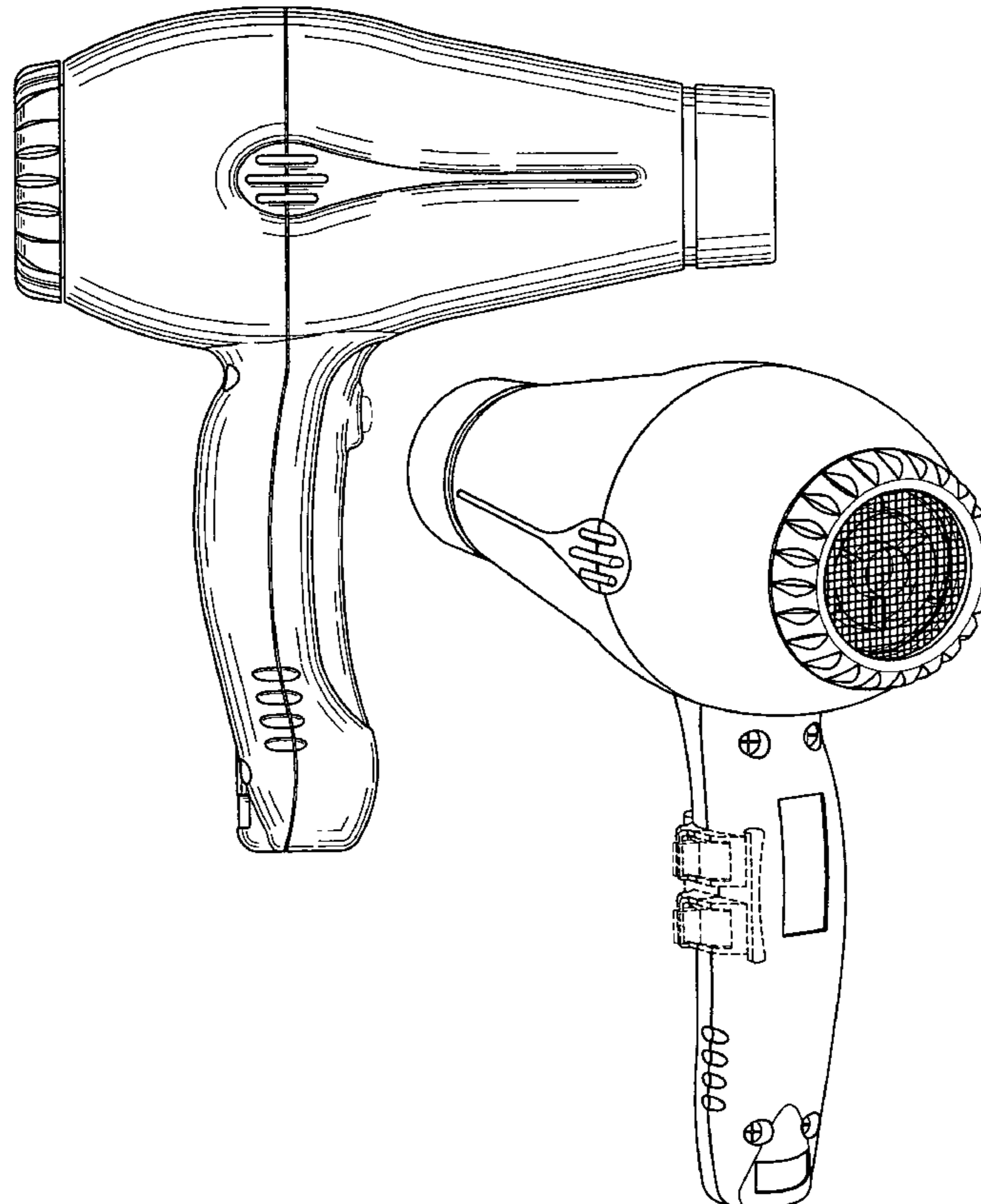


FIG. 1

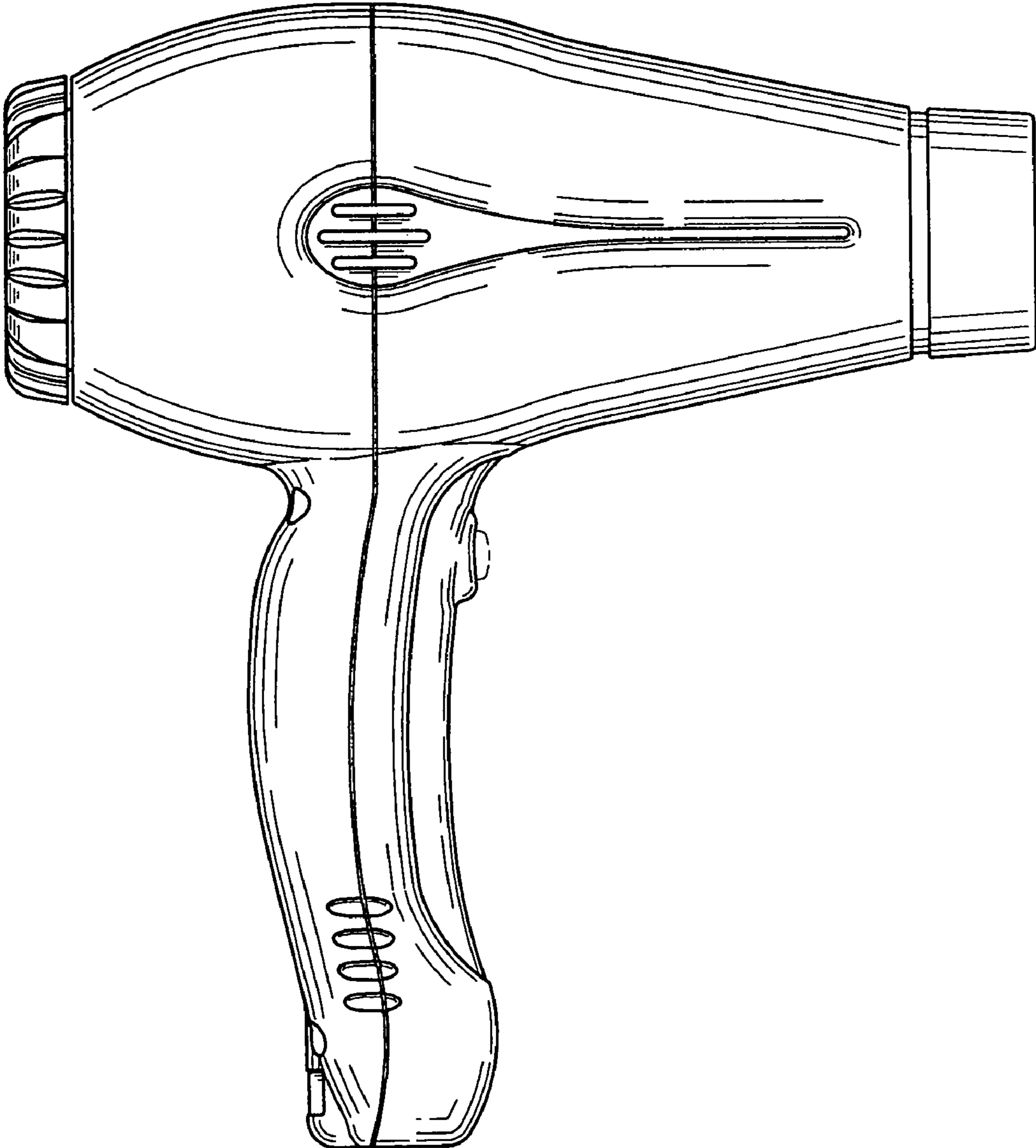


FIG. 2

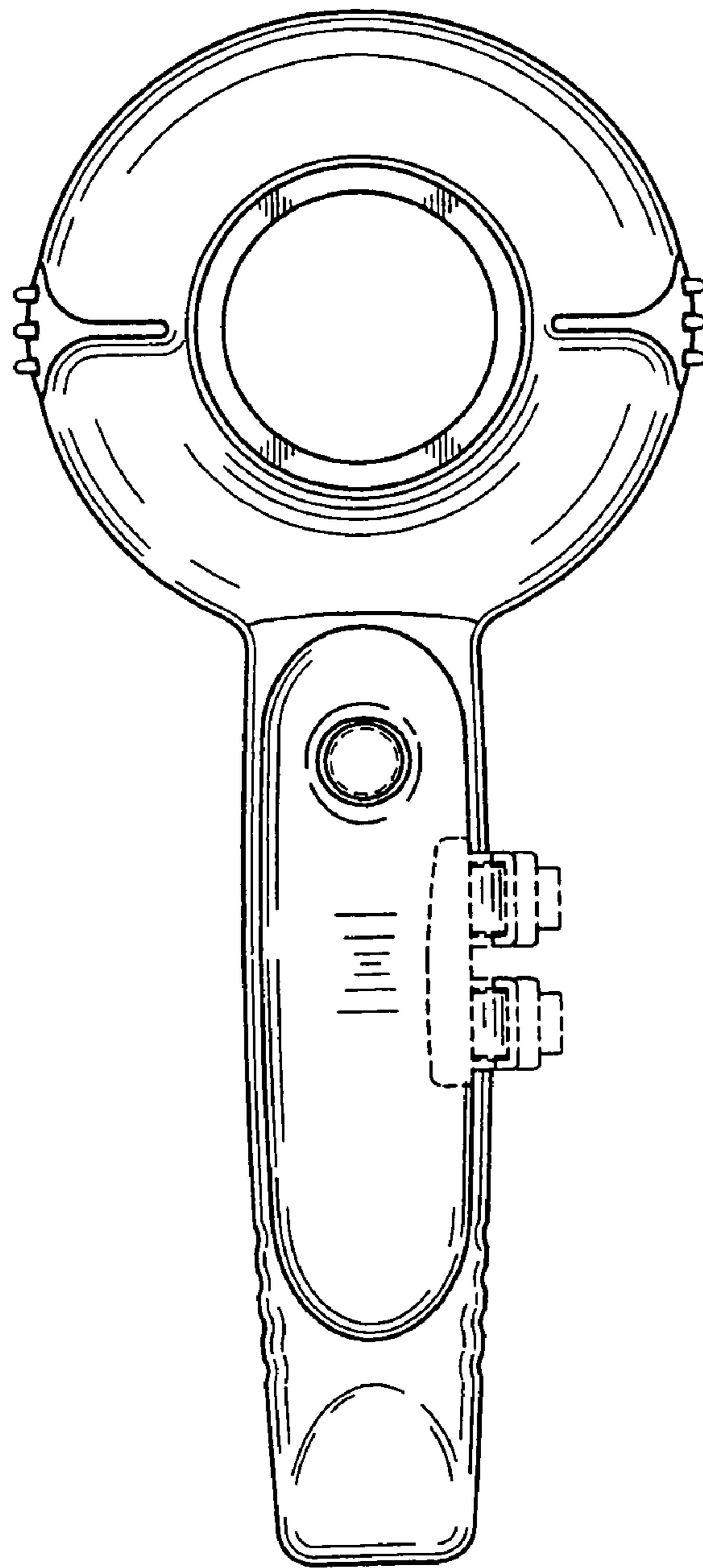


FIG. 3

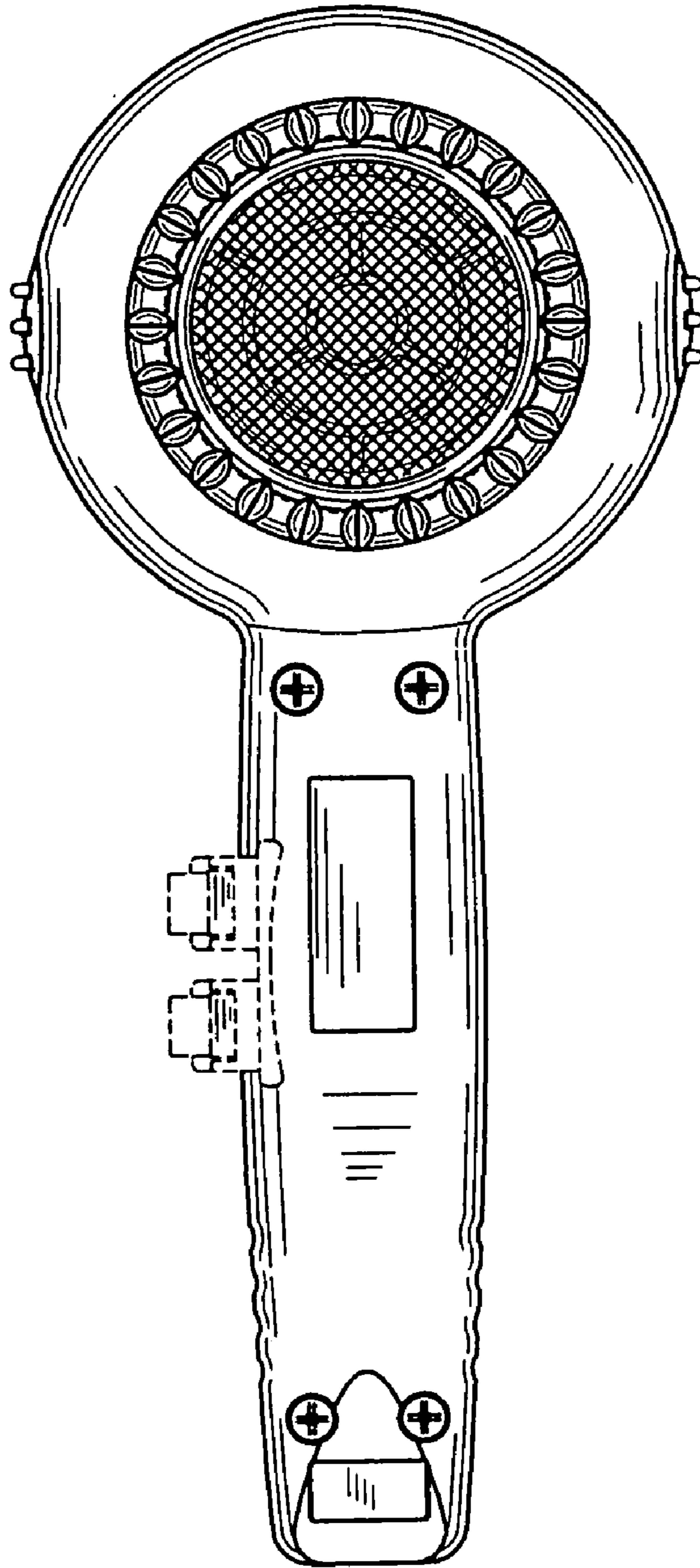


FIG. 4

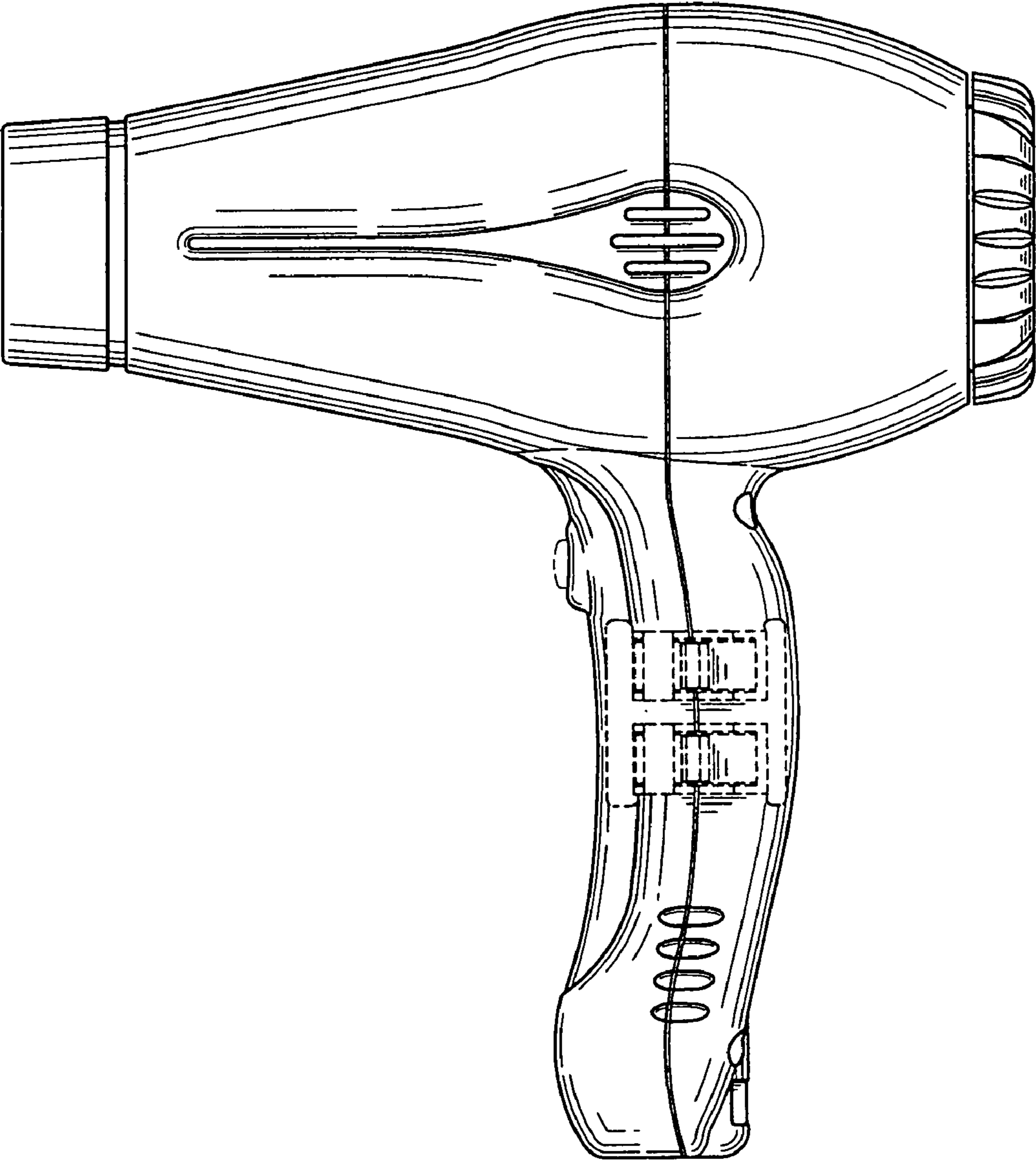


FIG. 5

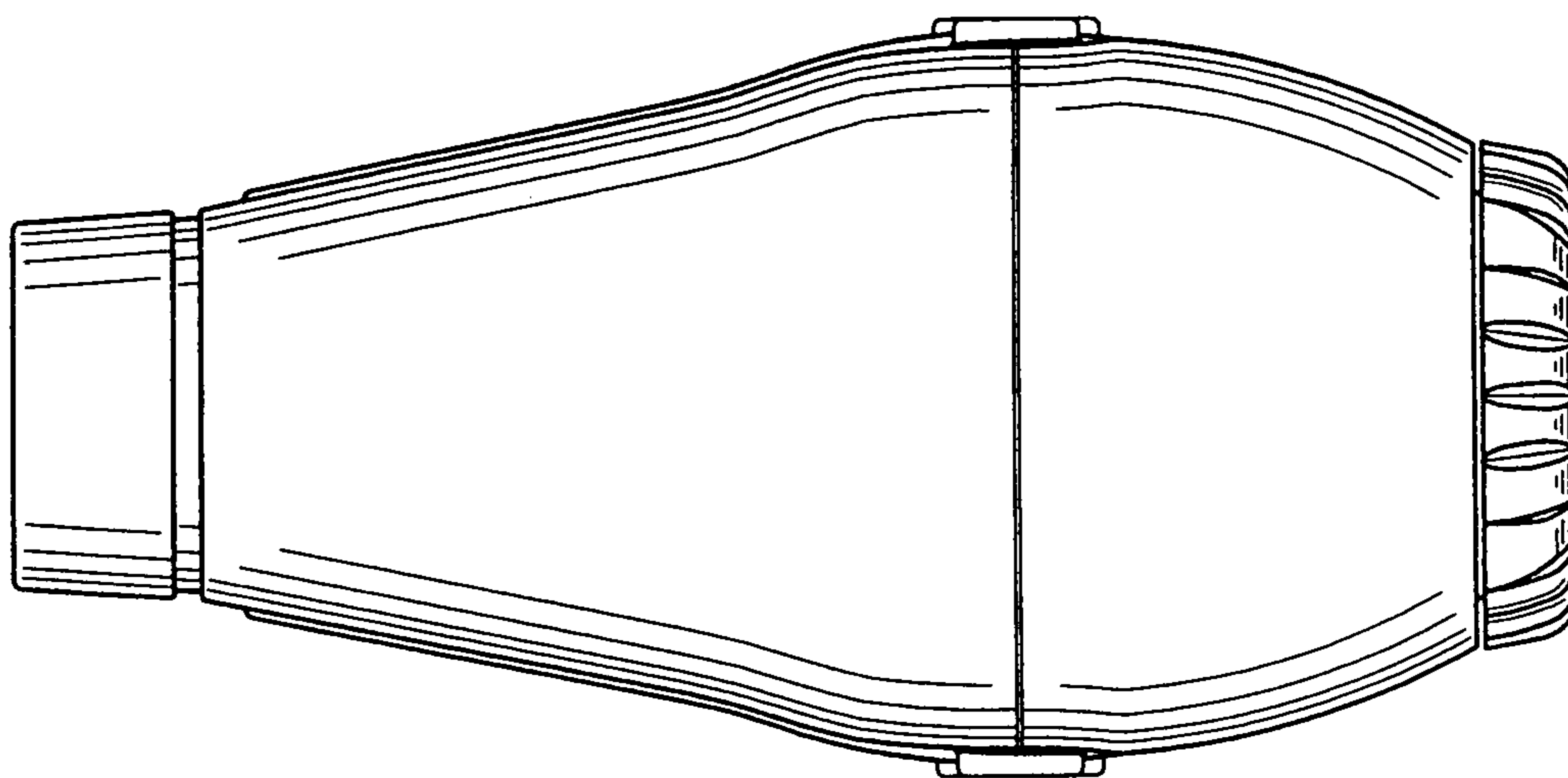


FIG. 6

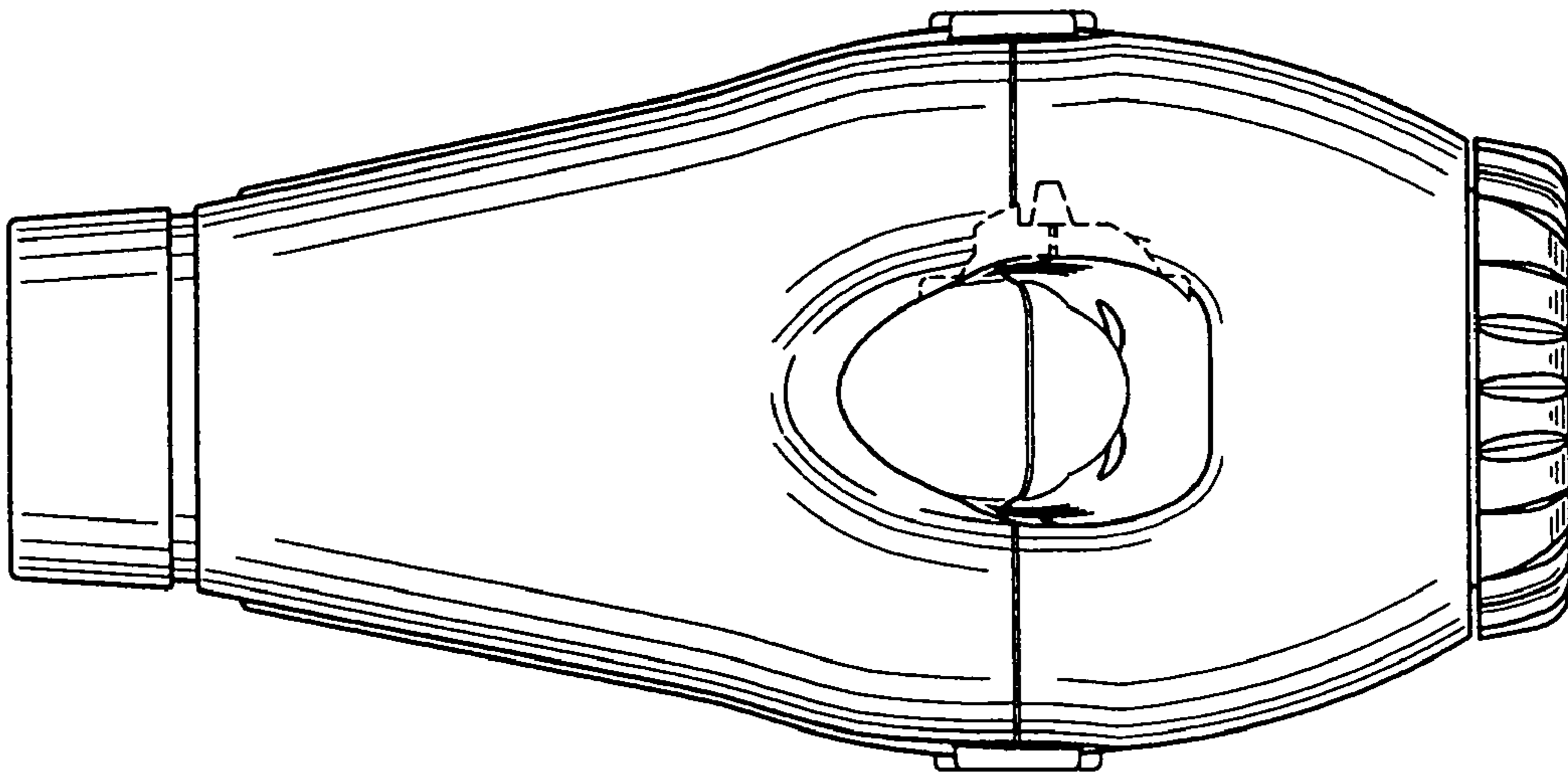


FIG. 7

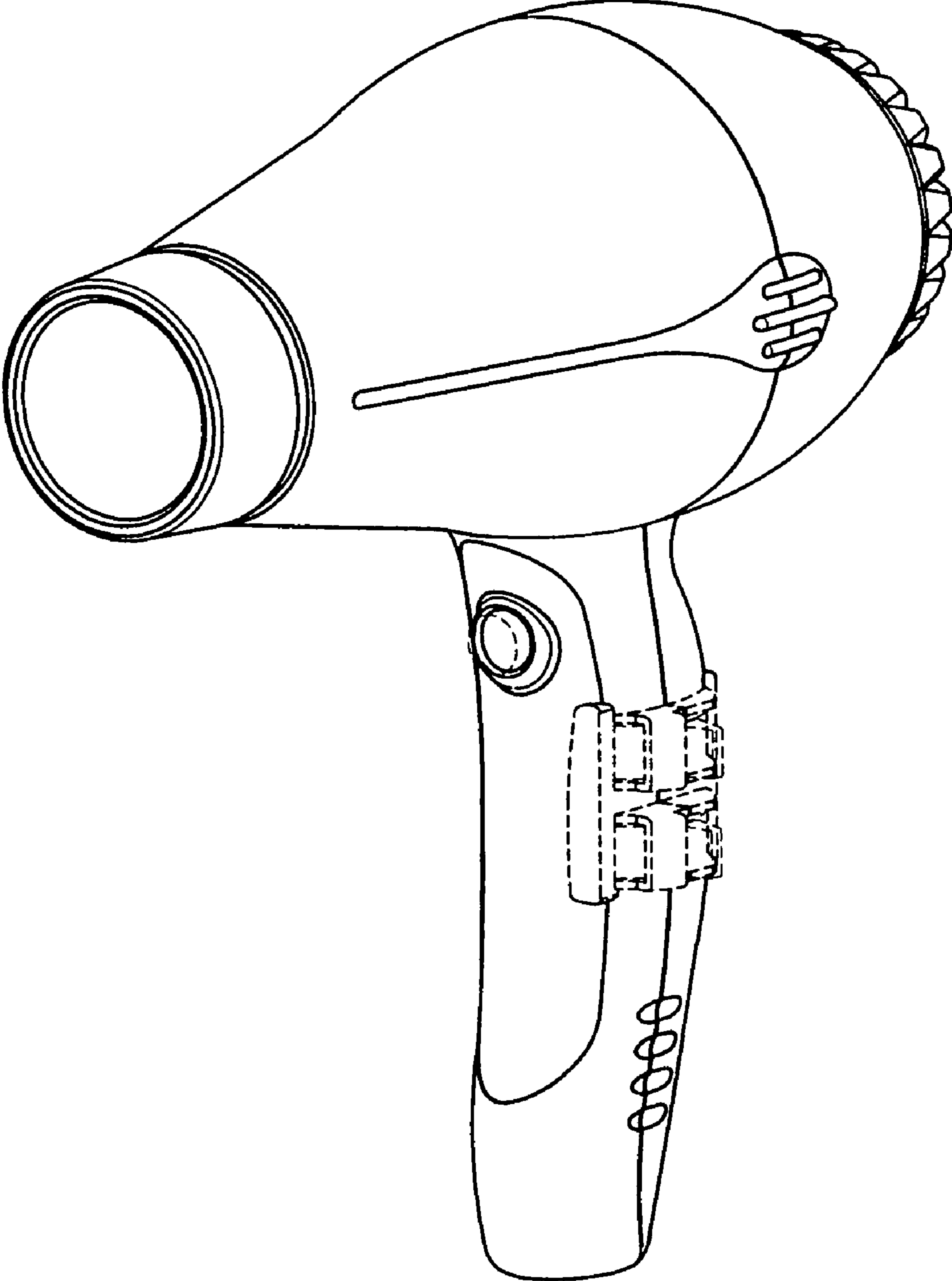




FIG. 8

