



US00D641520S

(12) **United States Design Patent**  
**Grajcar**

(10) **Patent No.:** **US D641,520 S**  
(45) **Date of Patent:** **\*\* Jul. 12, 2011**

- (54) **LED DOWNLIGHT WITH TRIM AND SPACERS**
- (75) Inventor: **Zdenko Grajcar**, Crystal, MN (US)
- (73) Assignee: **Once Innovations, Inc.**, Plymouth, MN (US)
- (\*\*) Term: **14 Years**
- (21) Appl. No.: **29/345,851**
- (22) Filed: **Oct. 22, 2009**
- (51) **LOC (9) Cl.** ..... **26-99**
- (52) **U.S. Cl.** ..... **D26/152**
- (58) **Field of Classification Search** ..... D26/124, D26/123, 129, 130, 131, 120, 113, 152, 138, D26/72, 77, 81, 83, 139, 85, 71, 87, 26, 118, D26/125, 73, 9, 134, 84, 127, 63, 50, 119, D26/60, 67, 128, 88, 86, 141, 142, 145, 153, D26/154, 155, 76, 78, 122; 428/26; 362/147, 362/351, 365, 350, 348, 335, 364, 235, 249.02, 362/294, 345, 366, 249.1, 25, 240, 376, 221, 362/223, 325, 342; D12/163, 193; D11/125, D11/121, 49, 117, 184; D1/106, 107; D23/366; D6/332

See application file for complete search history.

(56) **References Cited**

**U.S. PATENT DOCUMENTS**

D115,970	S	*	8/1939	Stewart	.....	D26/124
3,697,742	A	*	10/1972	Bobrick	.....	362/366
D247,562	S	*	3/1978	Walker et al.	.....	D14/209
D326,537	S	*	5/1992	Gattari	.....	D26/74
D326,729	S	*	6/1992	Gattari	.....	D26/74
D350,213	S	*	8/1994	Druffel et al.	.....	D26/74
D383,564	S	*	9/1997	Lecluze	.....	D26/118
D399,590	S	*	10/1998	Lecluze	.....	D26/118
6,045,241	A	*	4/2000	Pahl	.....	362/365
6,095,669	A	*	8/2000	Cho	.....	362/365
6,217,189	B1	*	4/2001	Nassim	.....	362/147
6,452,336	B1	*	9/2002	Dandu	.....	315/56
6,457,848	B1	*	10/2002	Wolf et al.	.....	362/364

D469,211	S	*	1/2003	Homann	.....	D26/118
D474,298	S	*	5/2003	Lecluze	.....	D26/74
D476,108	S	*	6/2003	Lecluze	.....	D26/74
6,588,922	B1	*	7/2003	DeCicco	.....	362/364
D487,816	S	*	3/2004	Benghozi	.....	D26/118
D488,583	S	*	4/2004	Benghozi	.....	D26/118
7,025,477	B2	*	4/2006	Blessing et al.	.....	362/364
D538,952	S	*	3/2007	Maxik et al.	.....	D26/2
D544,972	S	*	6/2007	Coushaine	.....	D26/37
D547,889	S	*	7/2007	Huang	.....	D26/28
D548,390	S	*	8/2007	Lecluze	.....	D26/138
D548,391	S	*	8/2007	Lecluze	.....	D26/138
D571,036	S	*	6/2008	Rashidi	.....	D26/118
D571,038	S	*	6/2008	Chan et al.	.....	D26/152
D581,089	S	*	11/2008	St-Hilaire	.....	D26/118
D595,005	S	*	6/2009	Chou	.....	D26/74
2009/0097262	A1	*	4/2009	Zhang et al.	.....	362/364

\* cited by examiner

*Primary Examiner* — Cathron Brooks

*Assistant Examiner* — Kevin Rudzinski

(74) *Attorney, Agent, or Firm* — Thompson Patent Law Offices PC

(57) **CLAIM**

The ornamental design for a LED downlight with trim and spacers, substantially as shown and described.

**DESCRIPTION**

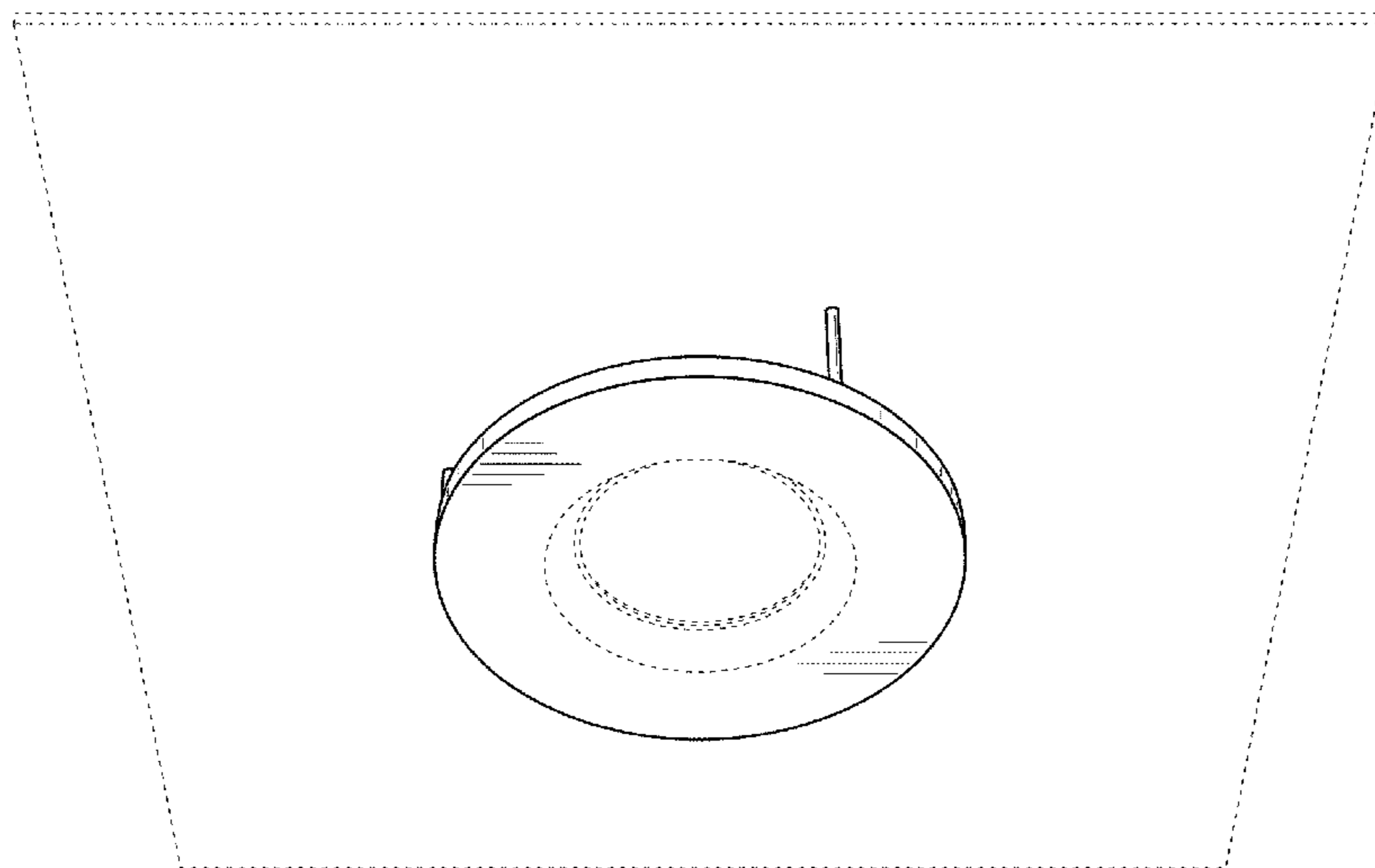
FIG. 1 is an elevated bottom perspective view of a LED downlight with trim and spacers installed in a ceiling showing my new design;

FIG. 2 is a side elevation view of the LED downlight with trim and spacers of FIG. 1 installed in a can type fixture, the opposite side being a mirror image thereof; and,

FIG. 3 is an enlarged bottom perspective view of the LED downlight with trim and spacers of FIG. 1, in a closer in view showing further detail of the lens recessed within the outer decorative trim piece.

The broken lines shown are included for the purpose of illustrating environmental structures and form no part of the claimed design.

**1 Claim, 3 Drawing Sheets**



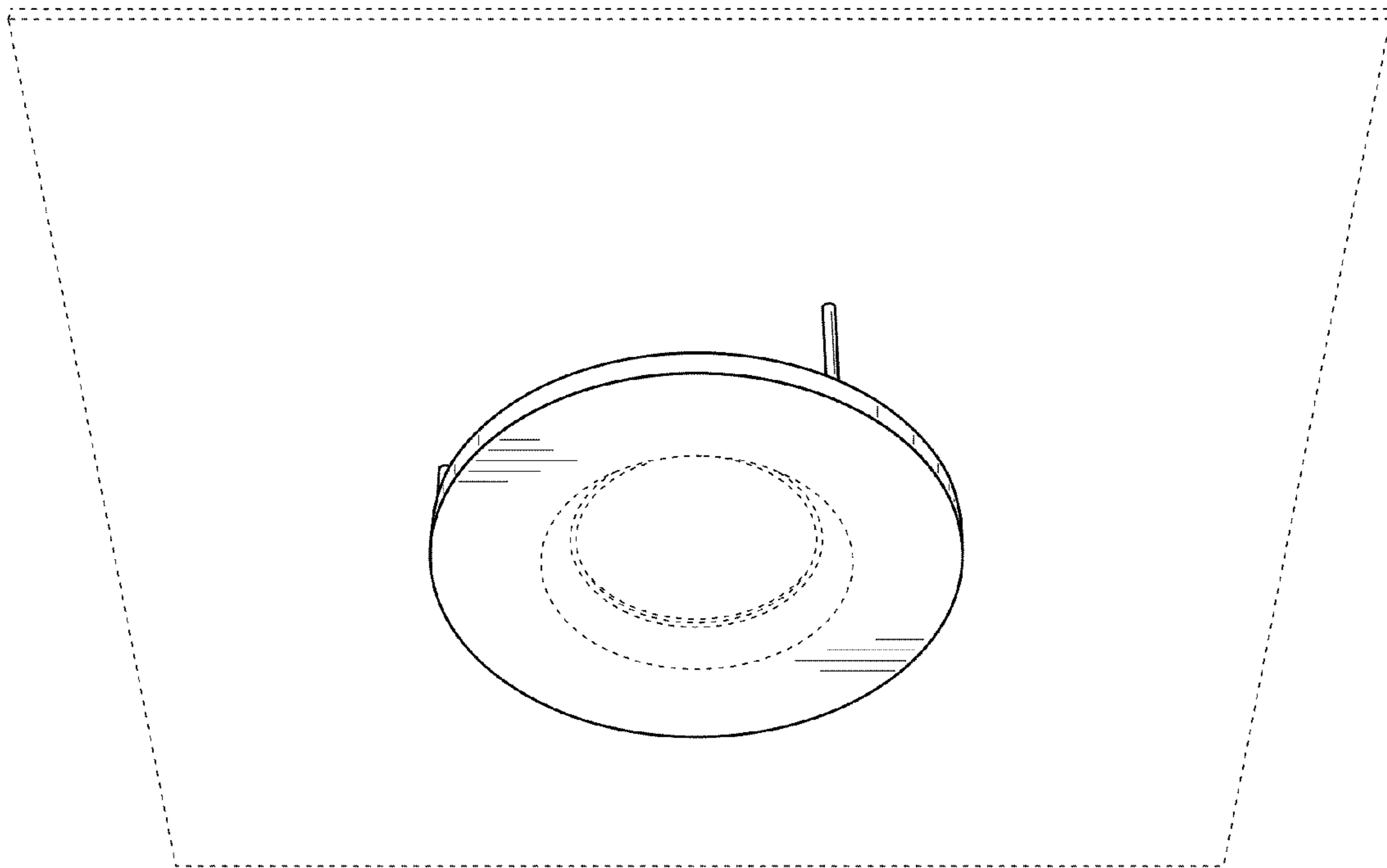


FIG. 1

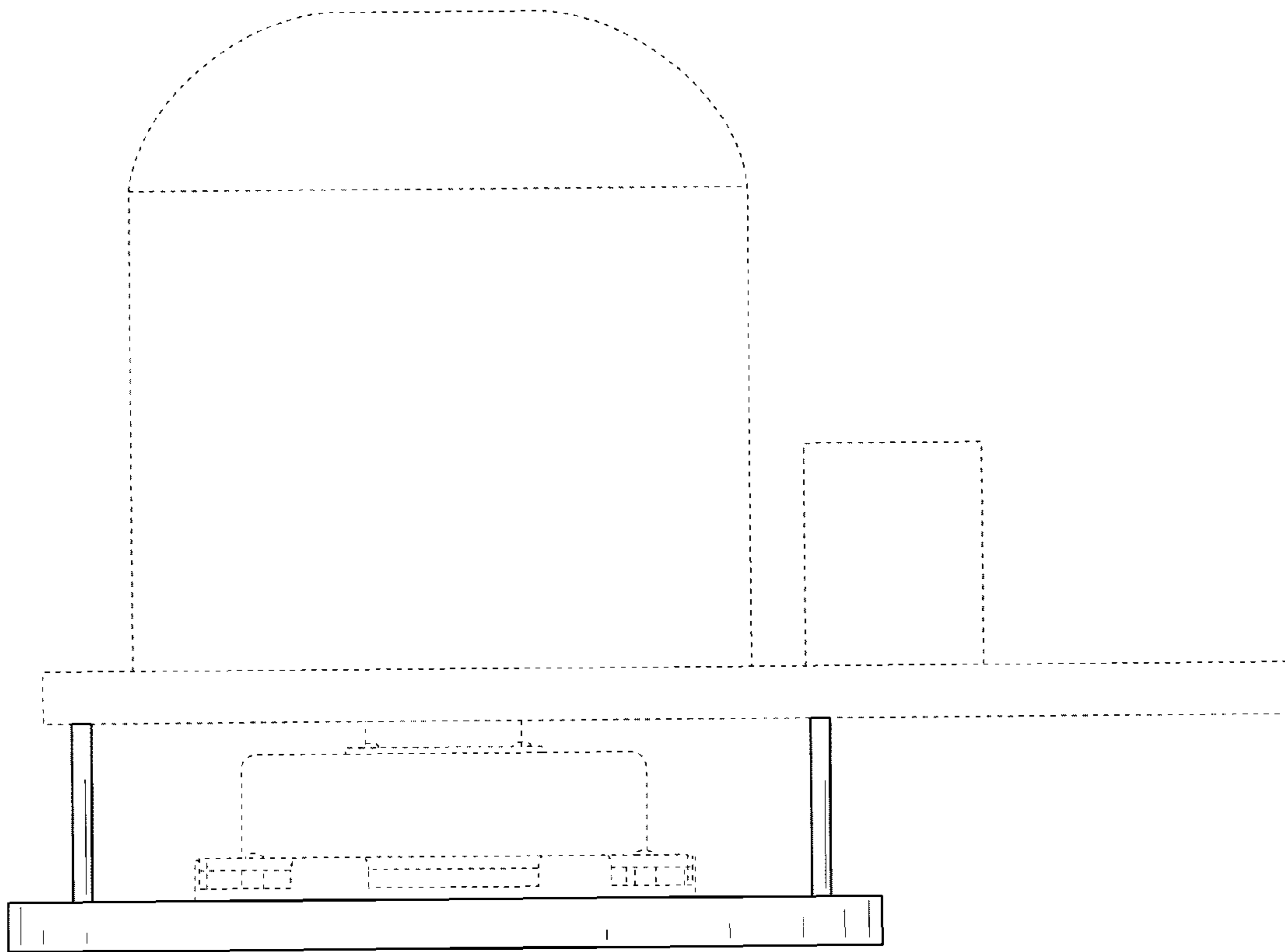


FIG. 2

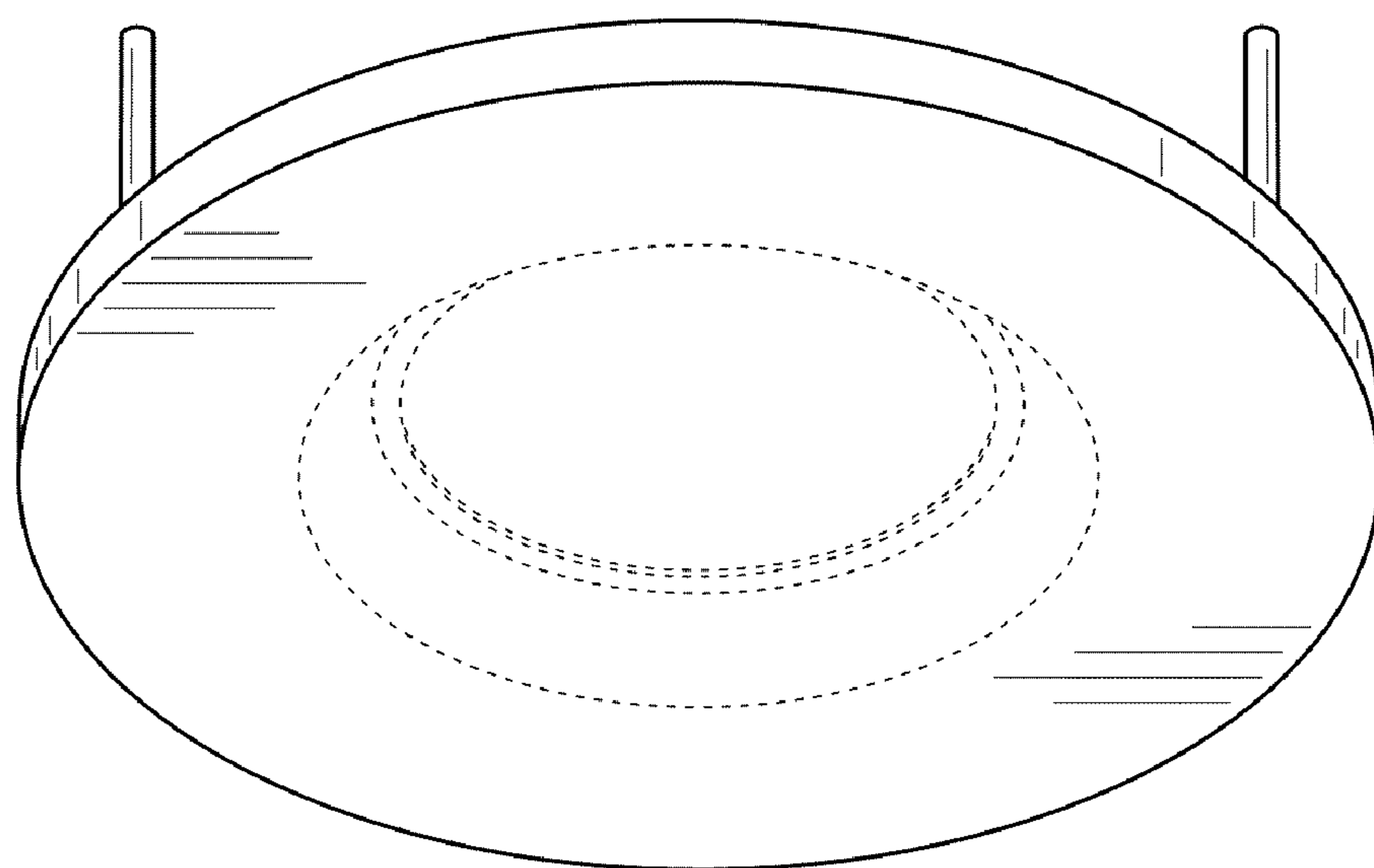


FIG. 3