



US00D641519S

(12) **United States Design Patent**
Kieley

(10) **Patent No.:** **US D641,519 S**
(45) **Date of Patent:** **** Jul. 12, 2011**

(54) **BOOK LIGHT FRAME**

(75) Inventor: **Sean J. Kieley**, Montreal (CA)

(73) Assignee: **Carson Optical, Inc.**, Hauppauge, NY (US)

(**) Term: **14 Years**

(21) Appl. No.: **29/384,809**

(22) Filed: **Feb. 4, 2011**

(51) **LOC (9) Cl.** **26-99**

(52) **U.S. Cl.** **D26/138**

(58) **Field of Classification Search** D26/125,
D26/49, 46, 37, 118, 71, 92, 85, 87, 128,
D26/63, 65, 88, 76, 120, 113, 119, 138, 2,
D26/67, 72, 93, 123, 129, 130, 24, 107, 108,
D26/62, 109, 51, 127, 122, 131, 141, 142,
D26/143, 144, 145, 58, 60, 68; 362/101,
362/34, 346, 223, 294, 549, 109, 190, 192,
362/249.01-249.11, 98, 99, 16, 17, 18, 19;
D13/179, 180; D23/411; 424/401, 402,
424/403, 404, 405; D8/353; 248/158, 122.1;
D25/124; D16/135, 131, 244, 136; D15/90;
359/801, 802, 807, 812; 119/245, 246, 247,
119/253, 256, 266

See application file for complete search history.

(56) **References Cited**

U.S. PATENT DOCUMENTS

4,581,684	A *	4/1986	Mazzucco	362/98
4,598,340	A *	7/1986	Dwosh et al.	362/98
D324,529	S *	3/1992	Moriyama	D16/135
D372,924	S *	8/1996	Fisherman	D16/135
6,213,618	B1 *	4/2001	Dobbin et al.	362/99
D475,477	S *	6/2003	Bennett et al.	D26/58
6,932,485	B2 *	8/2005	Hussaini et al.	362/85
6,951,403	B2	10/2005	Bennett, Jr.	

D545,983	S *	7/2007	Bennett, Jr.	D26/37
D549,378	S *	8/2007	Heitel	D26/56
7,311,418	B2 *	12/2007	Zeller et al.	362/198
D572,393	S *	7/2008	Johnston et al.	D26/37
D582,590	S *	12/2008	Ding et al.	D26/37
7,575,329	B2 *	8/2009	Bennett, Jr.	353/43
D612,081	S *	3/2010	Ding et al.	D26/37

OTHER PUBLICATIONS

Printout from [http://www.lightwedge.com/Shop/Lightwedge/LightWedge 2-0 Rechargeable Book Light](http://www.lightwedge.com/Shop/Lightwedge/LightWedge%202-0%20Rechargeable%20Book%20Light); undated (1 sheet)—admitted prior art.

Printout from [http://www.lightwedge.com/Shop/Lightwedge/LightWedge Original Book Light](http://www.lightwedge.com/Shop/Lightwedge/LightWedge%20Original%20Book%20Light); undated (1 sheet)—admitted prior art.

Printout from [http://www.lightwedge.com/Shop/Lightwedge/LightWedge Paperback Book Light](http://www.lightwedge.com/Shop/Lightwedge/LightWedge%20Paperback%20Book%20Light); undated (1 sheet) admitted prior art.

* cited by examiner

Primary Examiner — Cathron Brooks

Assistant Examiner — Kevin Rudzinski

(74) *Attorney, Agent, or Firm* — Carmody & Torrance LLP

(57) **CLAIM**

The ornamental design for a book light frame, as shown and described.

DESCRIPTION

FIG. 1 is a perspective view of a book light frame showing my new design;

FIG. 2 is a first side view of FIG. 1;

FIG. 3 is a second side view of FIG. 1;

FIG. 4 is a bottom view of FIG. 1;

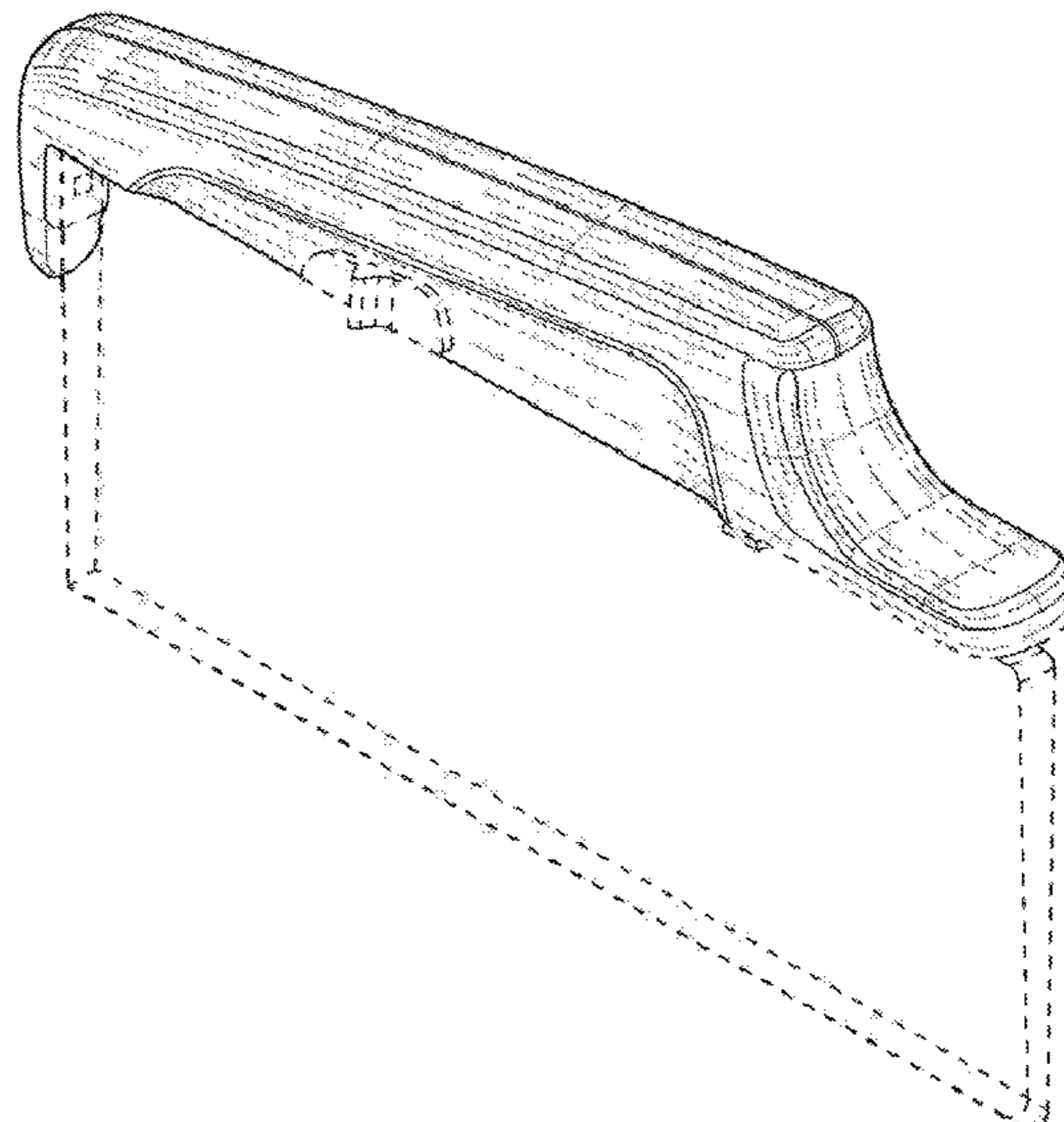
FIG. 5 is a top view of FIG. 1;

FIG. 6 is a first end view of FIG. 1; and,

FIG. 7 is a second end view of FIG. 1.

The dotted lines are intended to show features that are environmental only and form no part of the claimed design.

1 Claim, 5 Drawing Sheets



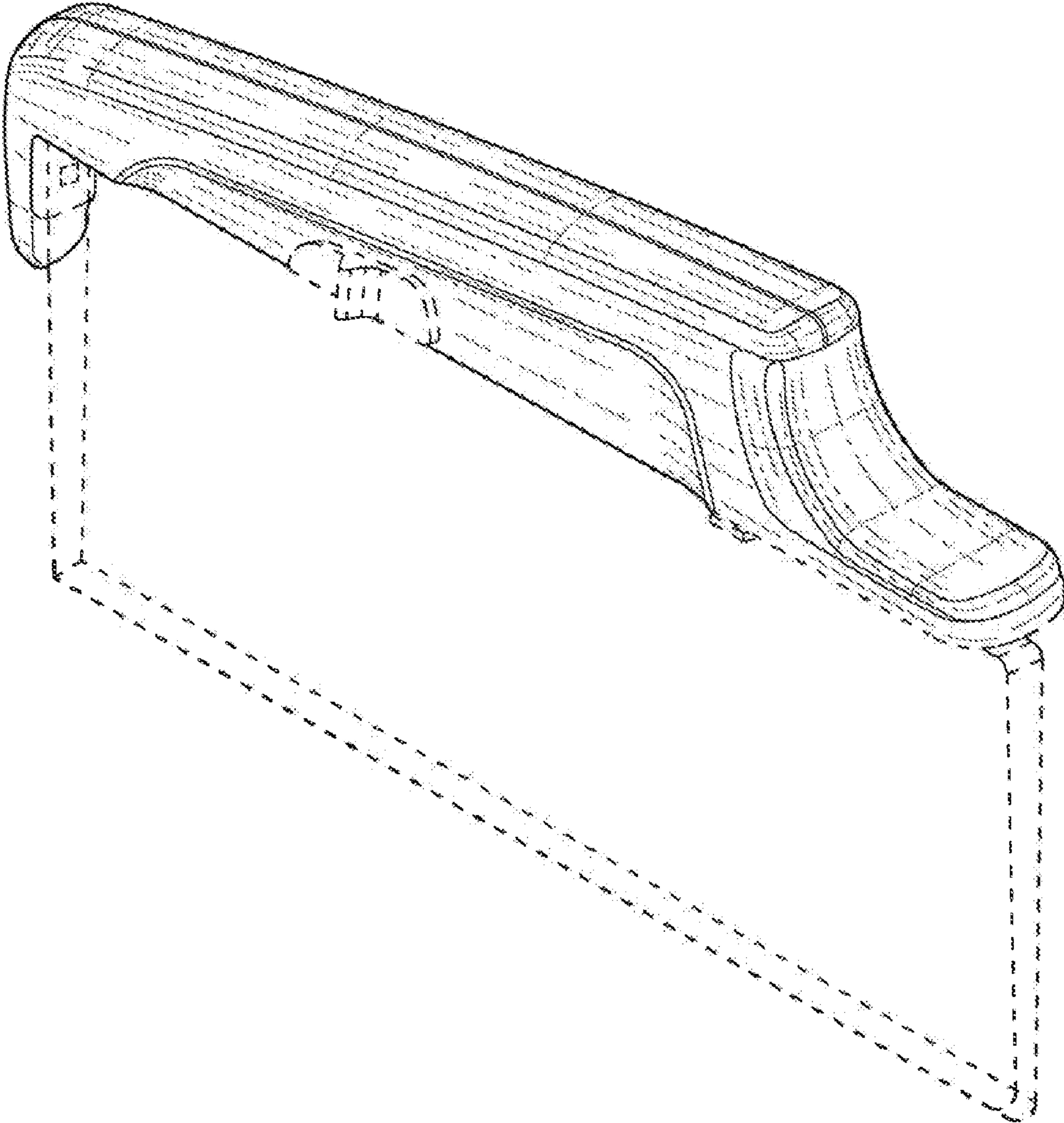


FIG. 1

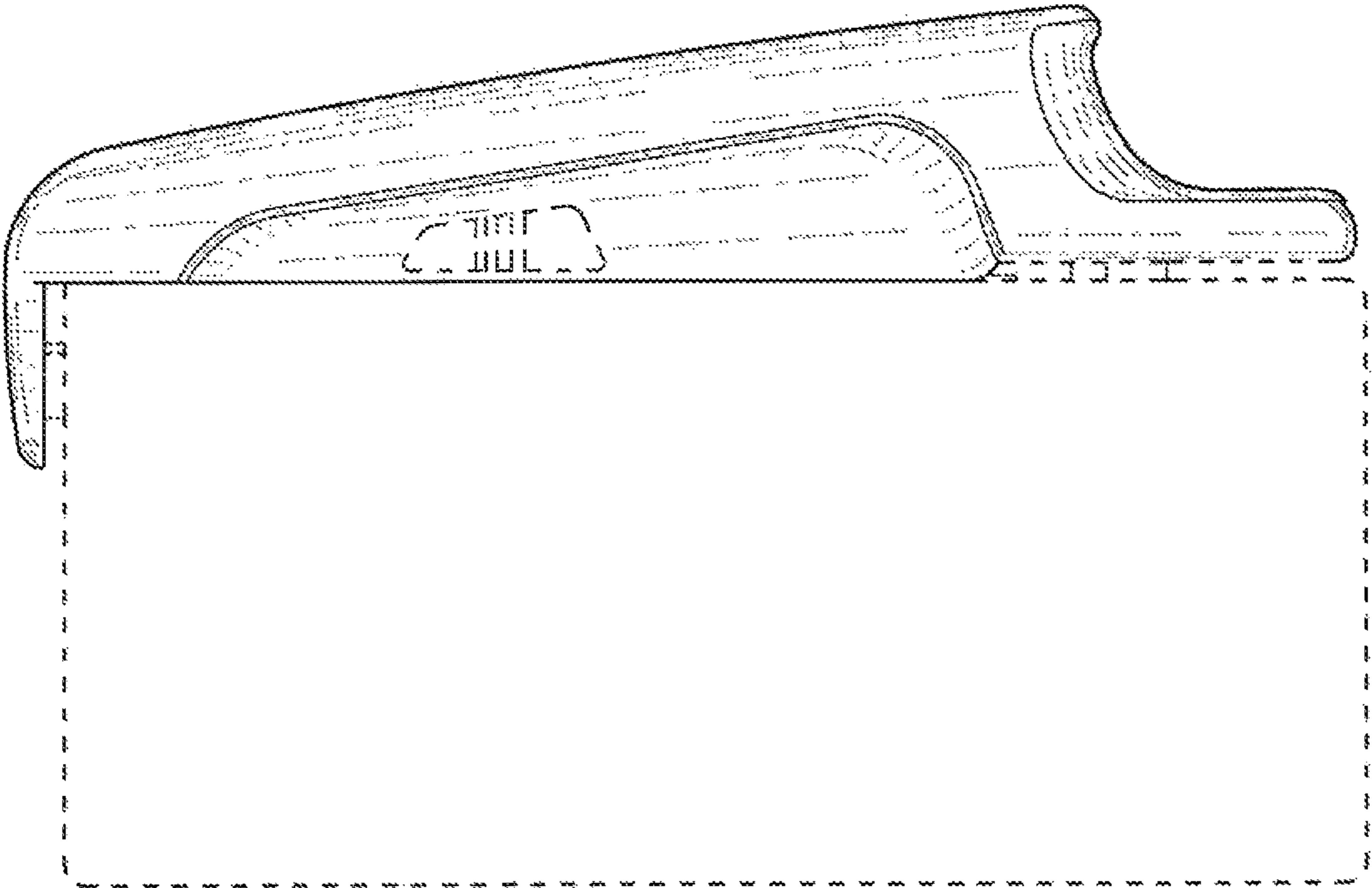


FIG. 2

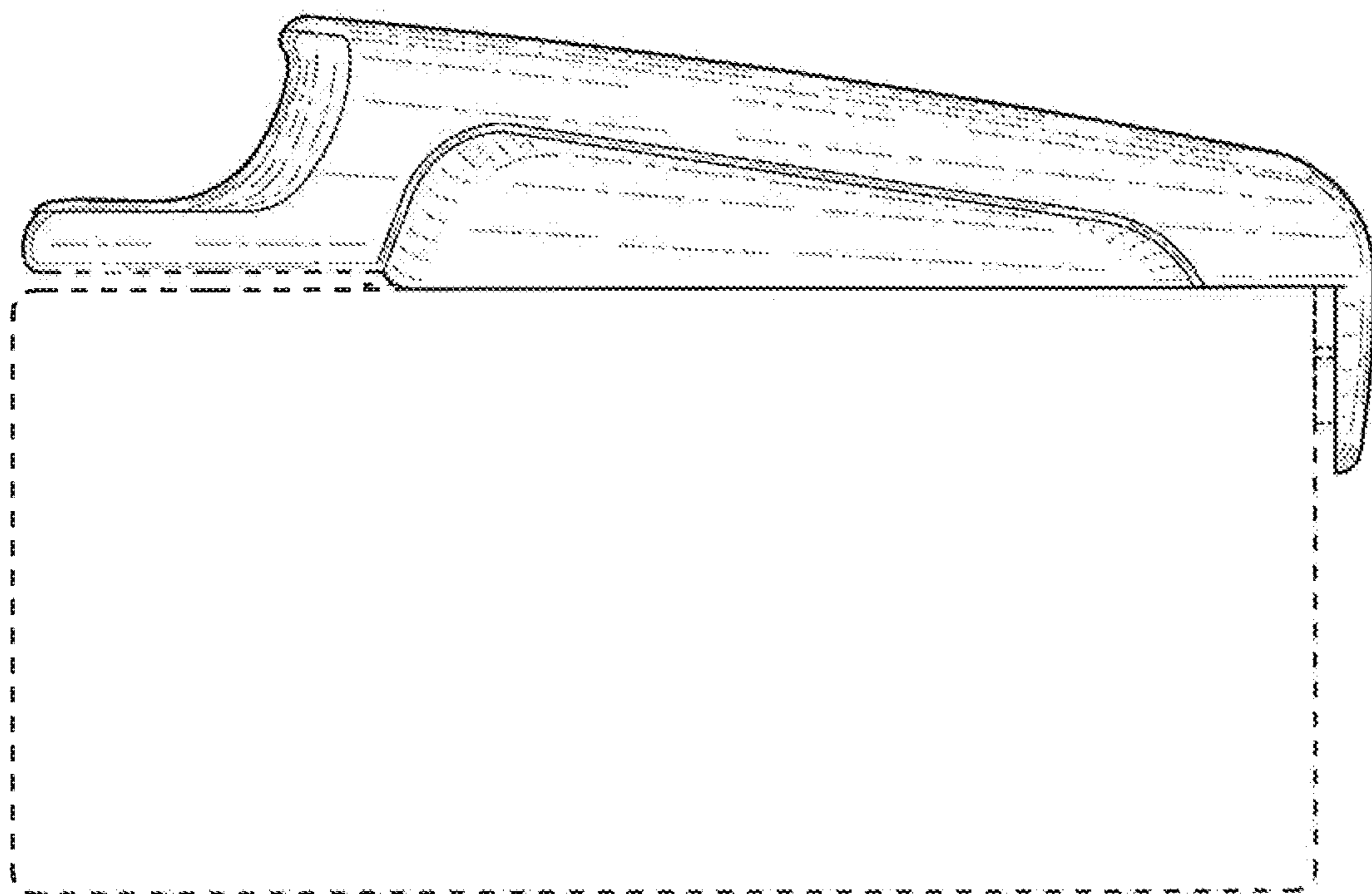


FIG. 3

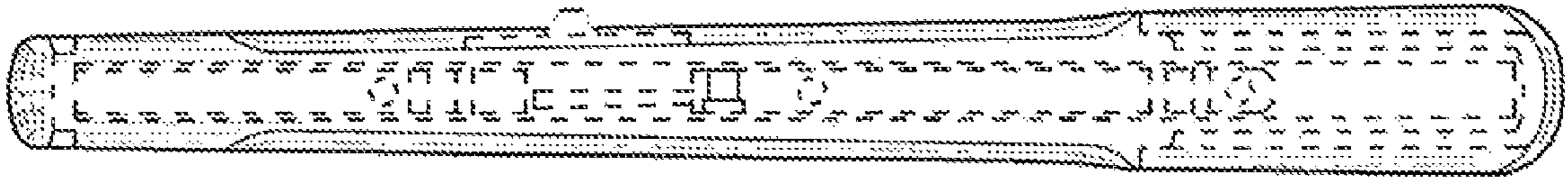


FIG. 4

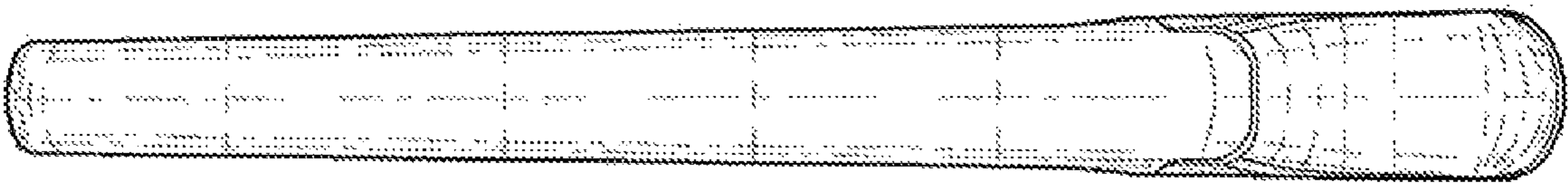


FIG. 5

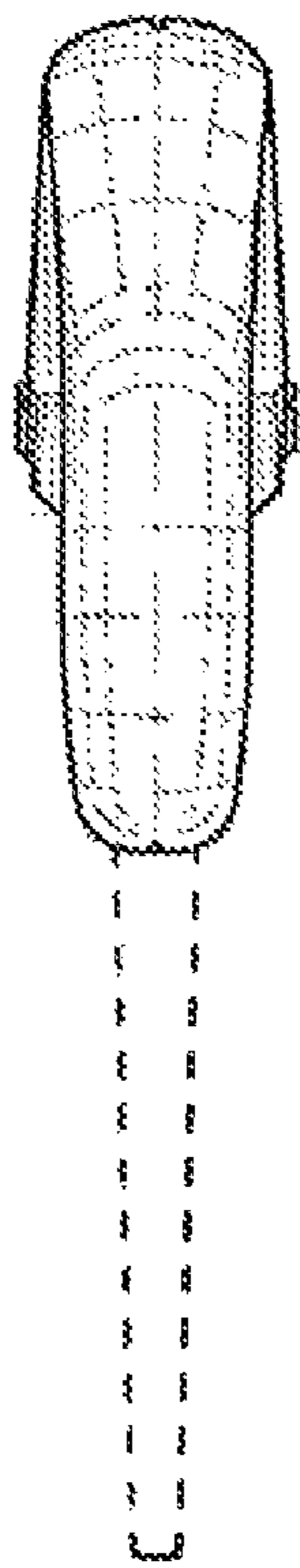


FIG. 6

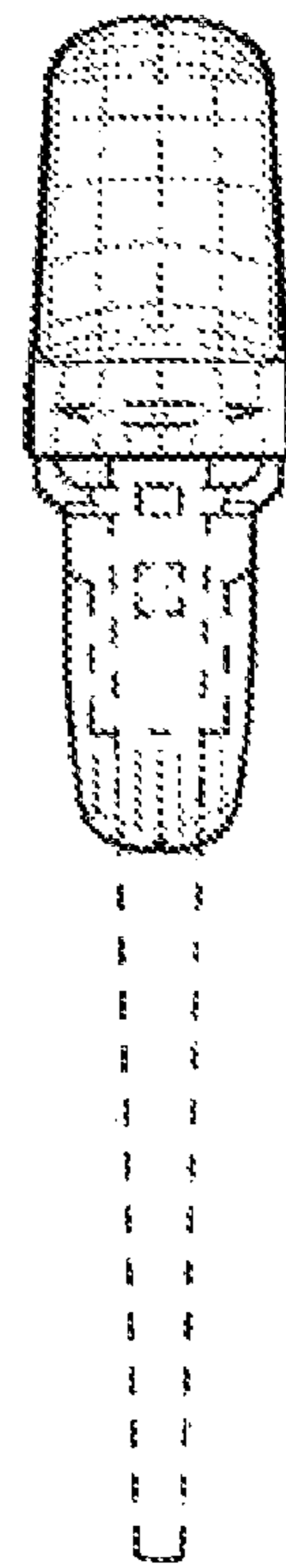


FIG. 7