



US00D641514S

(12) **United States Design Patent**
Hesse et al.

(10) **Patent No.:** **US D641,514 S**
(45) **Date of Patent:** **** Jul. 12, 2011**

(54) **PORTION OF A FLASHLIGHT**

D601,285 S * 9/2009 Chen D26/49
D603,988 S * 11/2009 Sharrah D26/49
D608,033 S * 1/2010 Hesse et al. D26/37

(75) Inventors: **Bryan L. Hesse**, Guilford, CT (US);
James Sener, Glastonbury, CT (US);
Kevin S. Garrity, Madison, CT (US)

OTHER PUBLICATIONS

Hesse et al., U.S. Appl. No. 29/330,252, filed Dec. 30, 2008, entitled
"Portion of a Flashlight".
Hesse et al., U.S. Appl. No. 29/324,659, filed Sep. 17, 2008, entitled
"Portion of a Flashlight".

(73) Assignee: **The Gillette Company**, Boston, MA
(US)

(**) Term: **14 Years**

(Continued)

(21) Appl. No.: **29/330,253**

Primary Examiner — Marcus Jackson

(22) Filed: **Jan. 2, 2009**

(74) *Attorney, Agent, or Firm* — Fish & Richardson P.C.

Related U.S. Application Data

(57) **CLAIM**

The ornamental design for a portion of a flashlight, as shown
and described.

(63) Continuation of application No. 29/324,659, filed on
Sep. 17, 2008, now Pat. No. Des. 608,033, which is a
continuation of application No. 29/296,218, filed on
Oct. 16, 2007, now abandoned.

DESCRIPTION

(51) **LOC (9) Cl.** **26-02**

(52) **U.S. Cl.** **D26/49**

(58) **Field of Classification Search** D26/37-50;
362/157, 158, 168, 171-174, 183-208
See application file for complete search history.

FIG. 1 is a perspective view of the portion of a flashlight as
seen from the front, top, right side;

FIG. 2 is a perspective view of the portion of a flashlight of
FIG. 1 as seen from the rear, top, left side;

FIG. 3 is a perspective view of a second embodiment of a
portion of a flashlight as seen from the front, top, right side;
and,

FIG. 4 is a perspective view of the portion of a flashlight of
FIG. 3 as seen from the rear, top, left side.

The broken lines which define the bounds of the claimed
design form no part thereof.

The broken lines showing the remainder of the portion of a
flashlight are for illustrative purposes only and form no part of
the claimed design.

In other embodiments, the ornamental features illustrated in
the Figures extend around the entire circumference of the
portion of a flashlight.

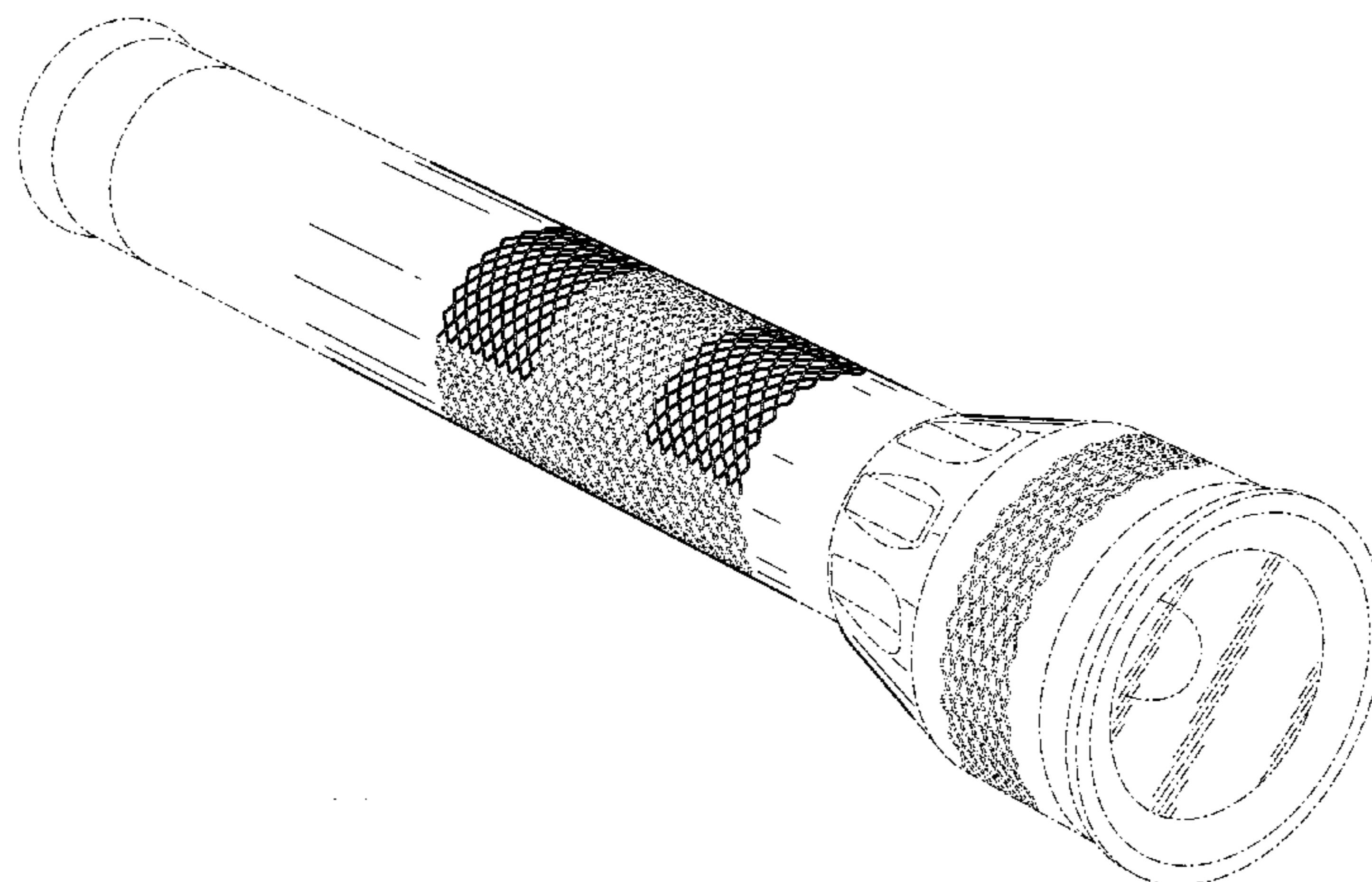
In other embodiments, the portion of a flashlight includes
flared front and rear end portions shown in broken lines in the
Figures, i.e., the front and rear end portions defining the flares
optionally are shown in solid lines.

(56) **References Cited**

U.S. PATENT DOCUMENTS

D353,216 S	12/1994	Sharrah et al.
D363,361 S	10/1995	Maglica
D367,721 S	3/1996	Maglica
D368,045 S	3/1996	Akers, Sr.
D479,298 S	9/2003	Parsons
D491,679 S	6/2004	Lau
D500,566 S	1/2005	Hu
D502,275 S	2/2005	Saunders
D513,642 S	1/2006	Zhang
D544,621 S	6/2007	Kim
D549,369 S	8/2007	DeBrunner
D551,366 S	9/2007	Galli
D574,984 S	8/2008	Hesse et al.
D579,594 S	10/2008	Hesse et al.

1 Claim, 4 Drawing Sheets



OTHER PUBLICATIONS

Hesse et al., U.S. Appl. No. 29/313,049, filed Dec. 3, 2008, entitled
"Flashlight".

Hesse et al., U.S. Appl. No. 29/292,537, filed Oct. 16, 2007, entitled
"Flashlight".

* cited by examiner

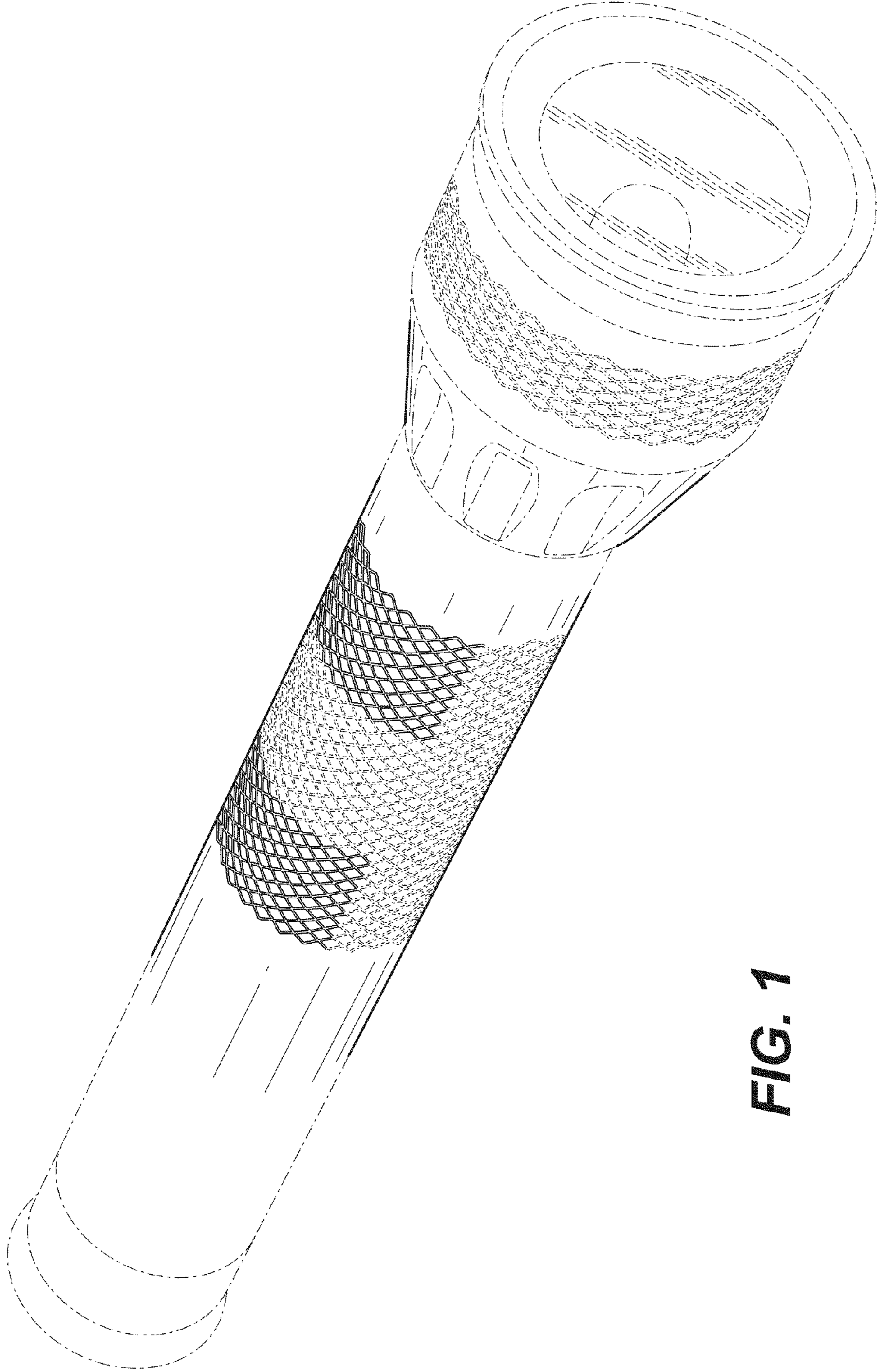
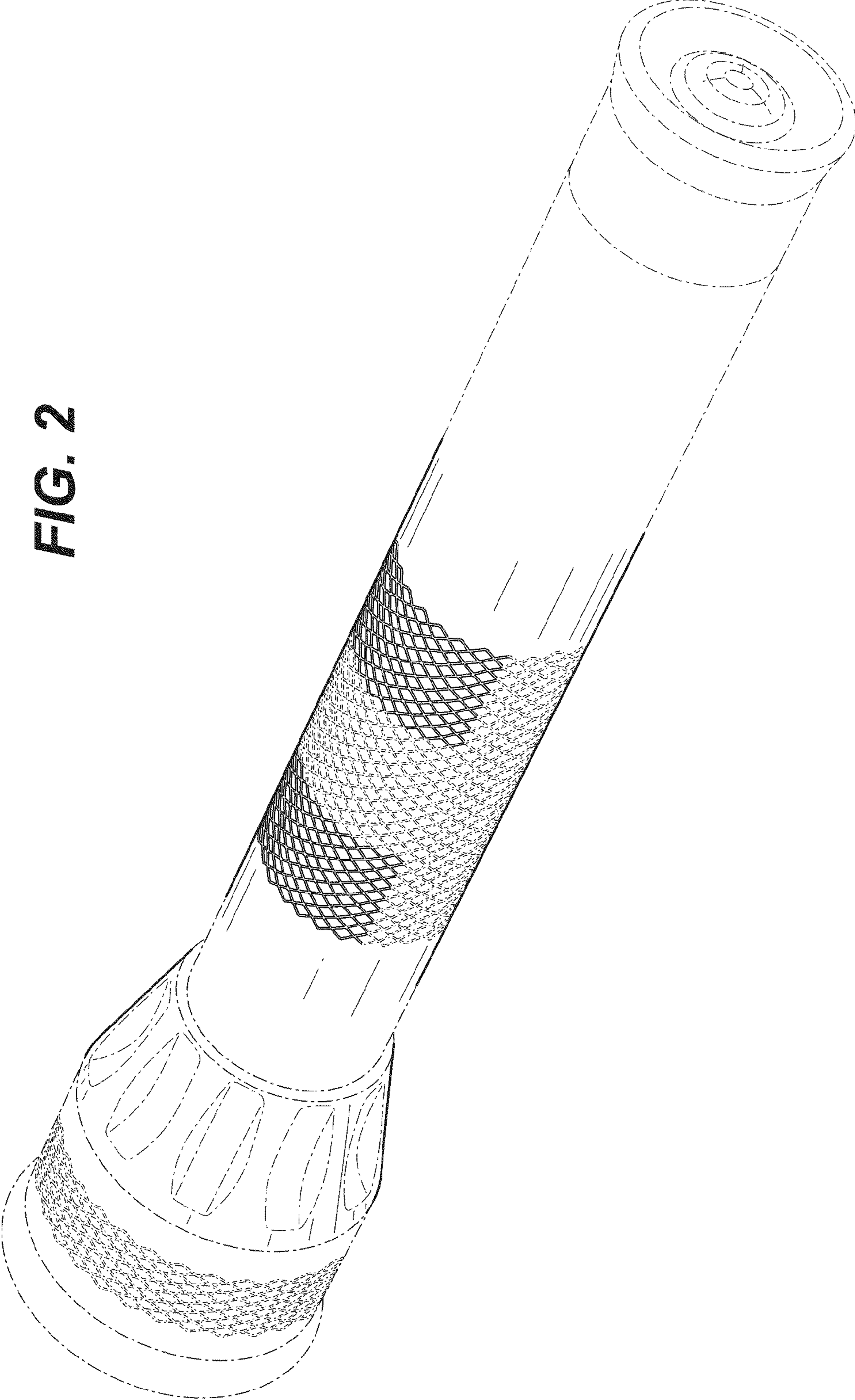


FIG. 1

FIG. 2



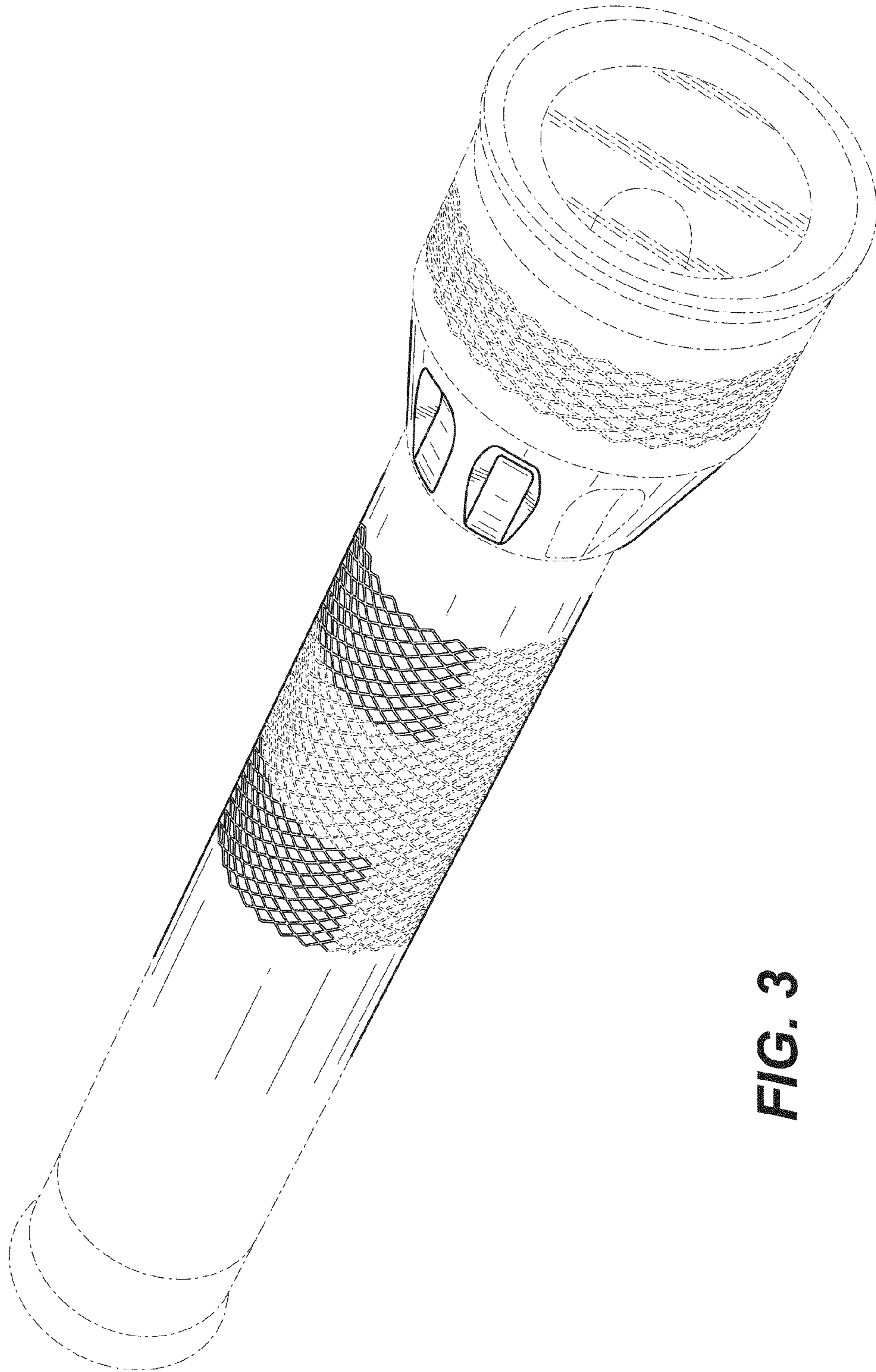


FIG. 3

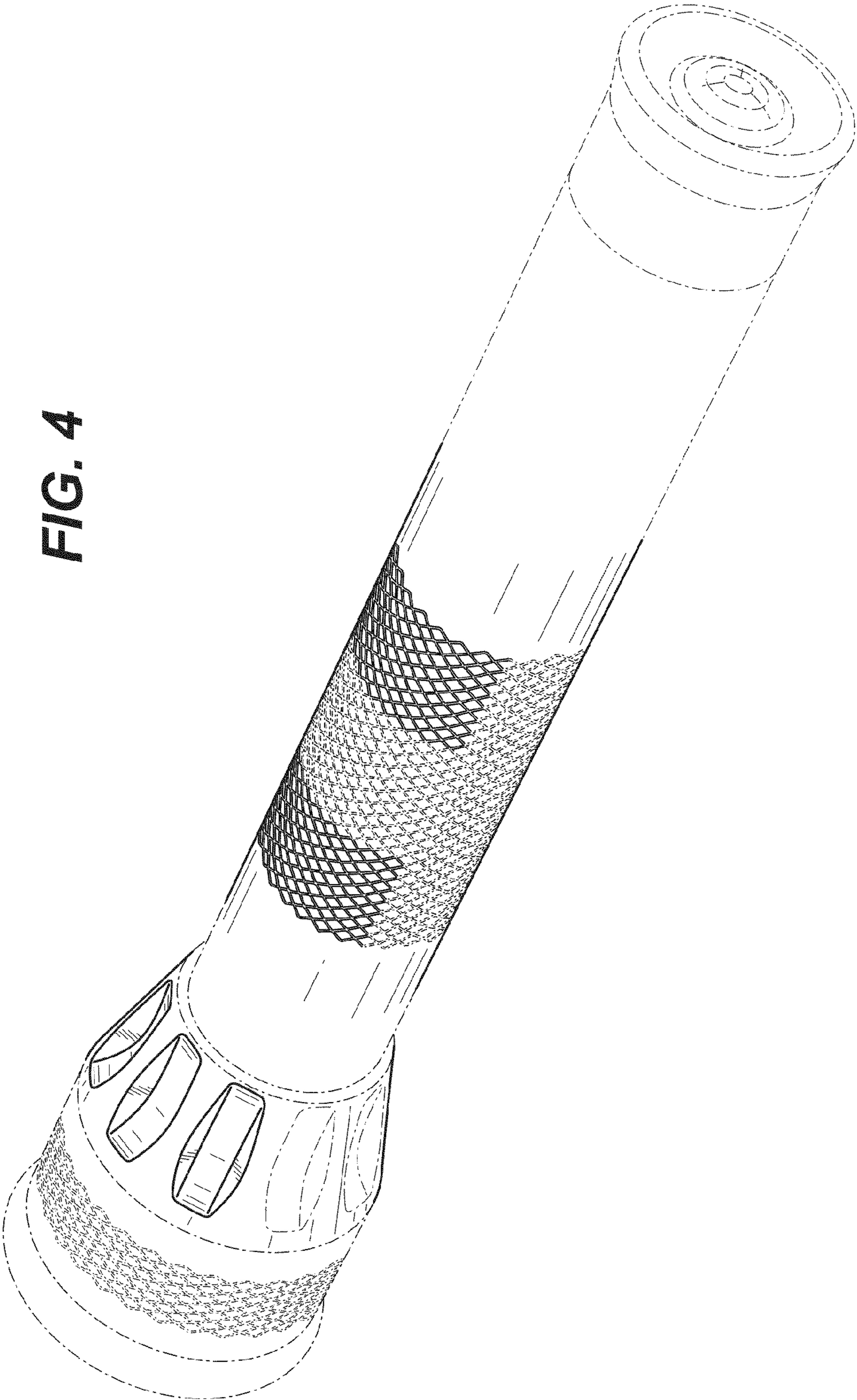


FIG. 4