



US00D641513S

(12) **United States Design Patent**  
**Wang**

(10) **Patent No.:** **US D641,513 S**

(45) **Date of Patent:** **\*\* Jul. 12, 2011**

(54) **FLASHLIGHT**

(75) Inventor: **Ching-Hsiang Wang**, Tainan (TW)

(73) Assignee: **Day Sun Industrial Corp.**, Tainan (TW)

(\*\*) Term: **14 Years**

(21) Appl. No.: **29/377,285**

(22) Filed: **Oct. 20, 2010**

(51) **LOC (9) Cl.** ..... **26-02**

(52) **U.S. Cl.** ..... **D26/48**

(58) **Field of Classification Search** ..... D26/37,  
D26/38, 46, 48, 49, 50; 362/157, 158, 194-196,  
362/200-208

See application file for complete search history.

(56) **References Cited**

**U.S. PATENT DOCUMENTS**

D173,423 S *	11/1954	Garland	.....	D26/44
D289,800 S *	5/1987	Fenne	.....	D26/48
D449,899 S *	10/2001	Hayakawa et al.	.....	D26/48
D490,921 S *	6/2004	Ashfield et al.	.....	D26/37
D520,165 S *	5/2006	Yuen	.....	D26/46
D532,536 S *	11/2006	Krieger et al.	.....	D26/38
D533,528 S *	12/2006	Krieger et al.	.....	D14/129
D537,184 S *	2/2007	Yuen	.....	D26/46
D542,447 S *	5/2007	Krieger et al.	.....	D26/46

D545,470 S *	6/2007	Devany et al.	.....	D26/46
D552,774 S *	10/2007	Lee	.....	D26/38
D556,353 S *	11/2007	Gebhard et al.	.....	D26/48
D563,006 S *	2/2008	Kingston et al.	.....	D26/48
D599,924 S *	9/2009	Schoch	.....	D26/44
D605,797 S *	12/2009	Baker et al.	.....	D26/48
D616,580 S *	5/2010	Bertken	.....	D26/48
D623,784 S *	9/2010	Yamamoto	.....	D26/45

\* cited by examiner

*Primary Examiner* — Ian Simmons

*Assistant Examiner* — Carissa C Fitts

(74) *Attorney, Agent, or Firm* — Alan Kamrath; Kamrath & Associates PA

(57) **CLAIM**

The ornamental design for a flashlight, as shown and described.

**DESCRIPTION**

FIG. 1 is a perspective view of a flashlight showing my new design;

FIG. 2 is a front side elevational view thereof;

FIG. 3 is a rear side elevational view thereof;

FIG. 4 is a left side elevational view thereof;

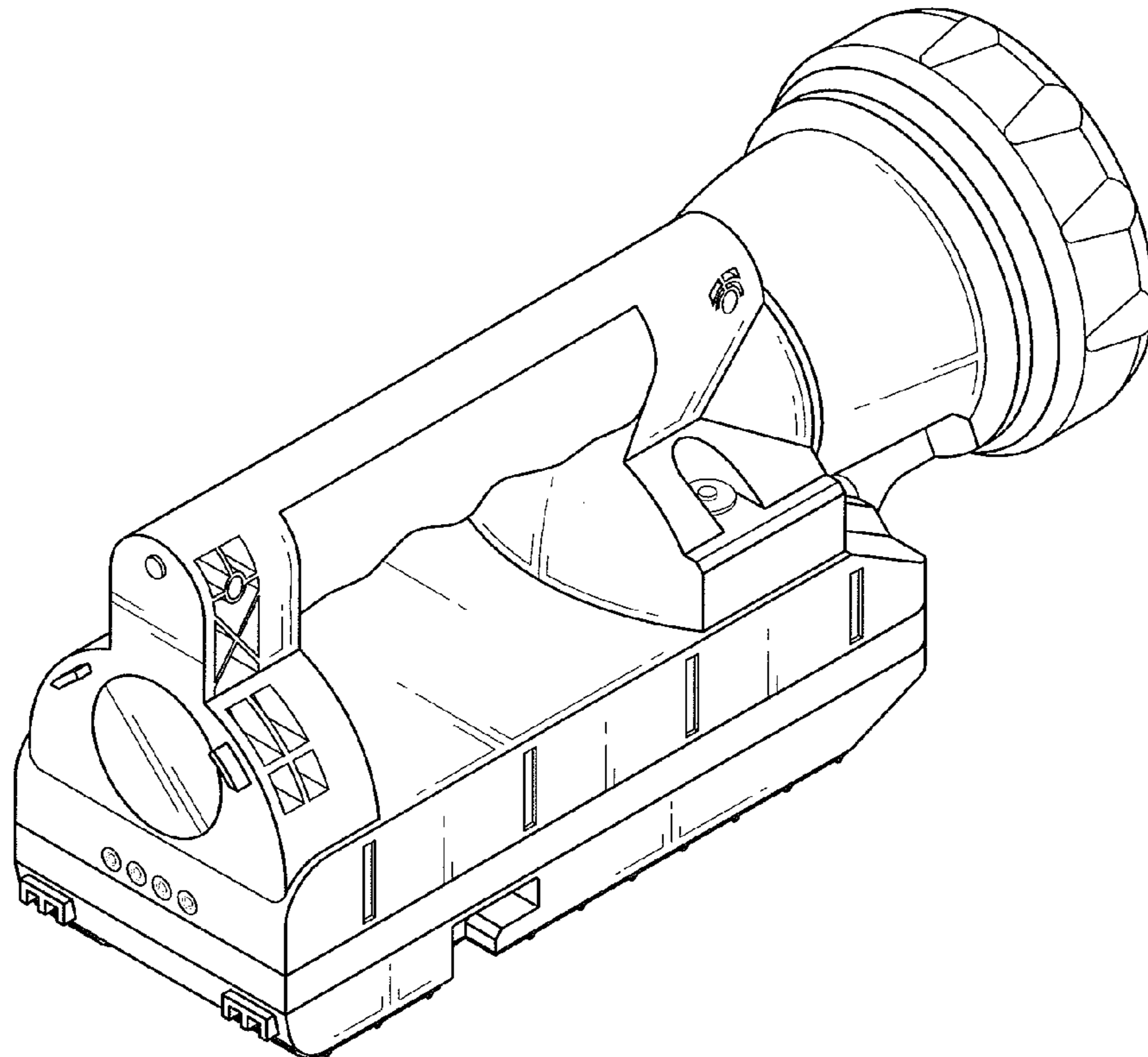
FIG. 5 is a right side elevational view thereof;

FIG. 6 is a top plan view thereof; and,

FIG. 7 is a bottom plan view thereof.

The broken line showing is for environmental purposes only and forms no part of the claimed design.

**1 Claim, 4 Drawing Sheets**



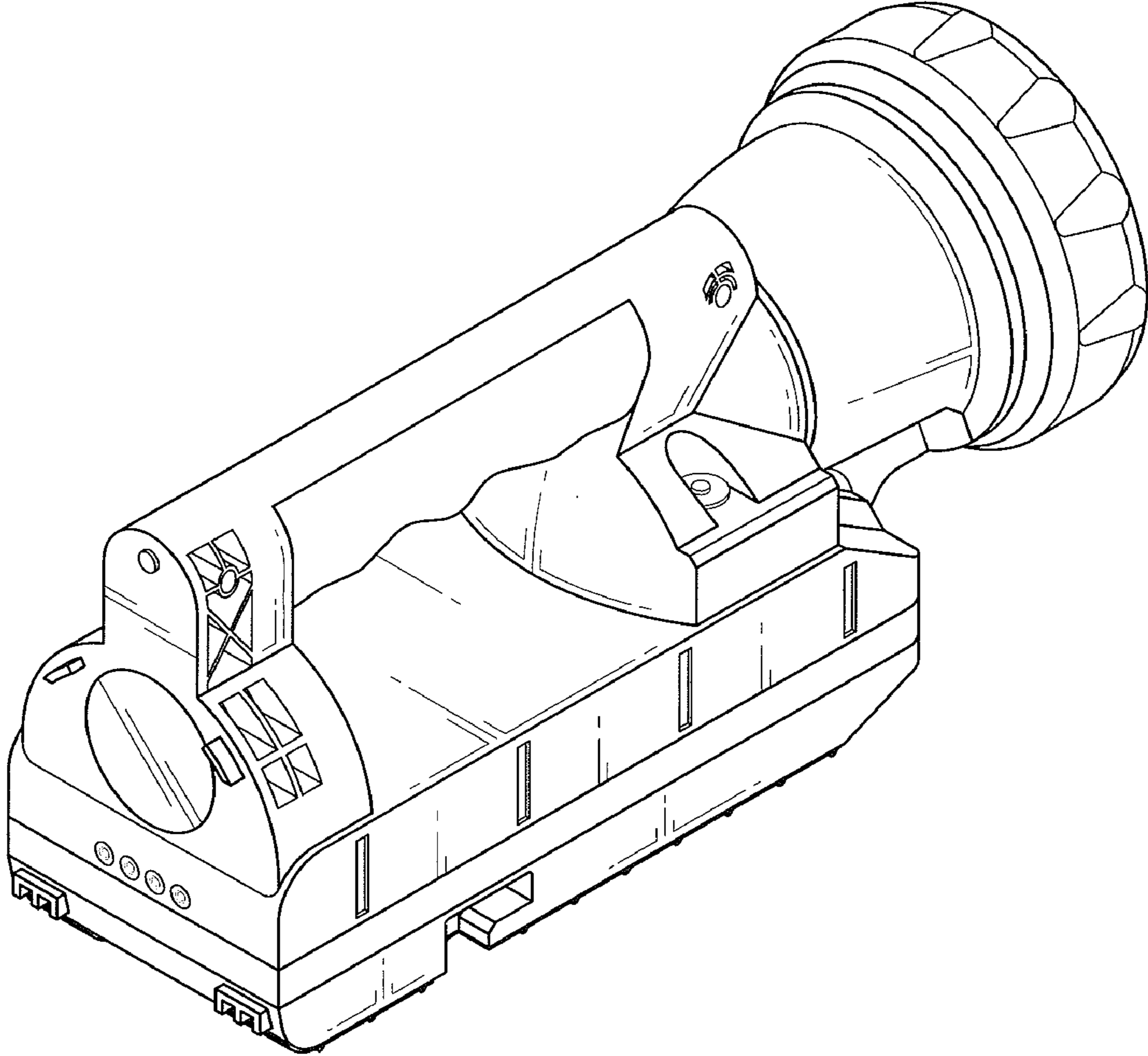


FIG. 1

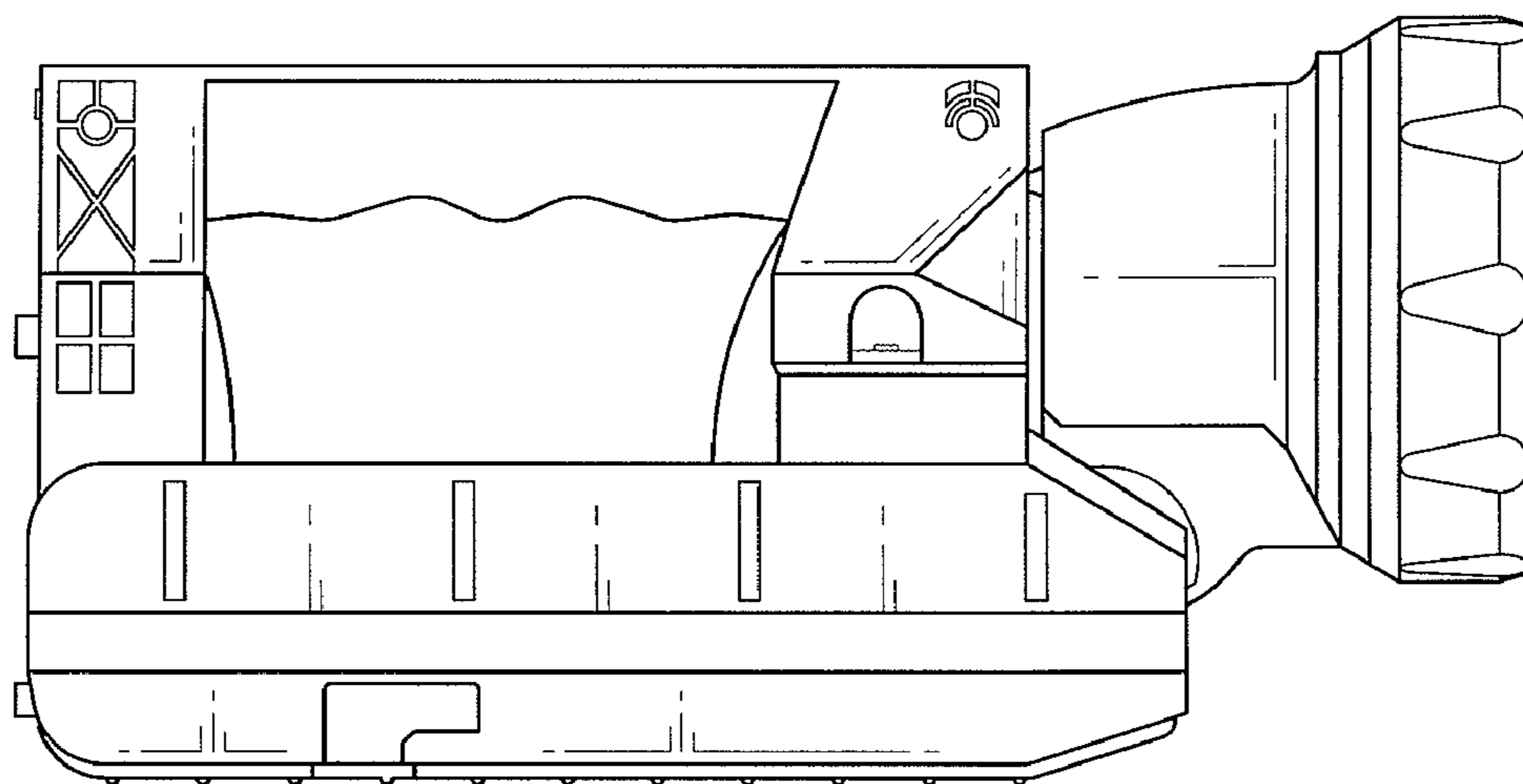


FIG. 2

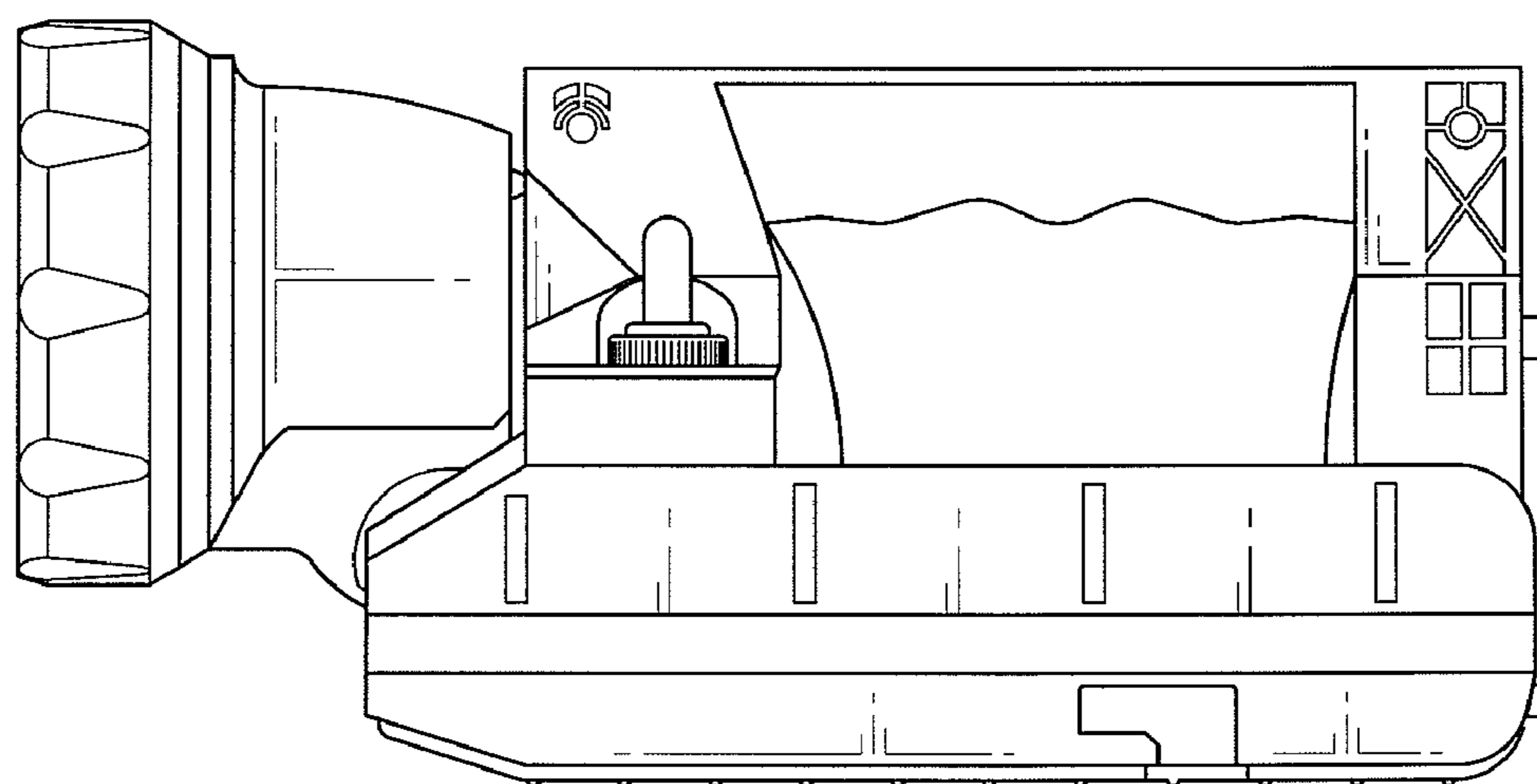


FIG. 3

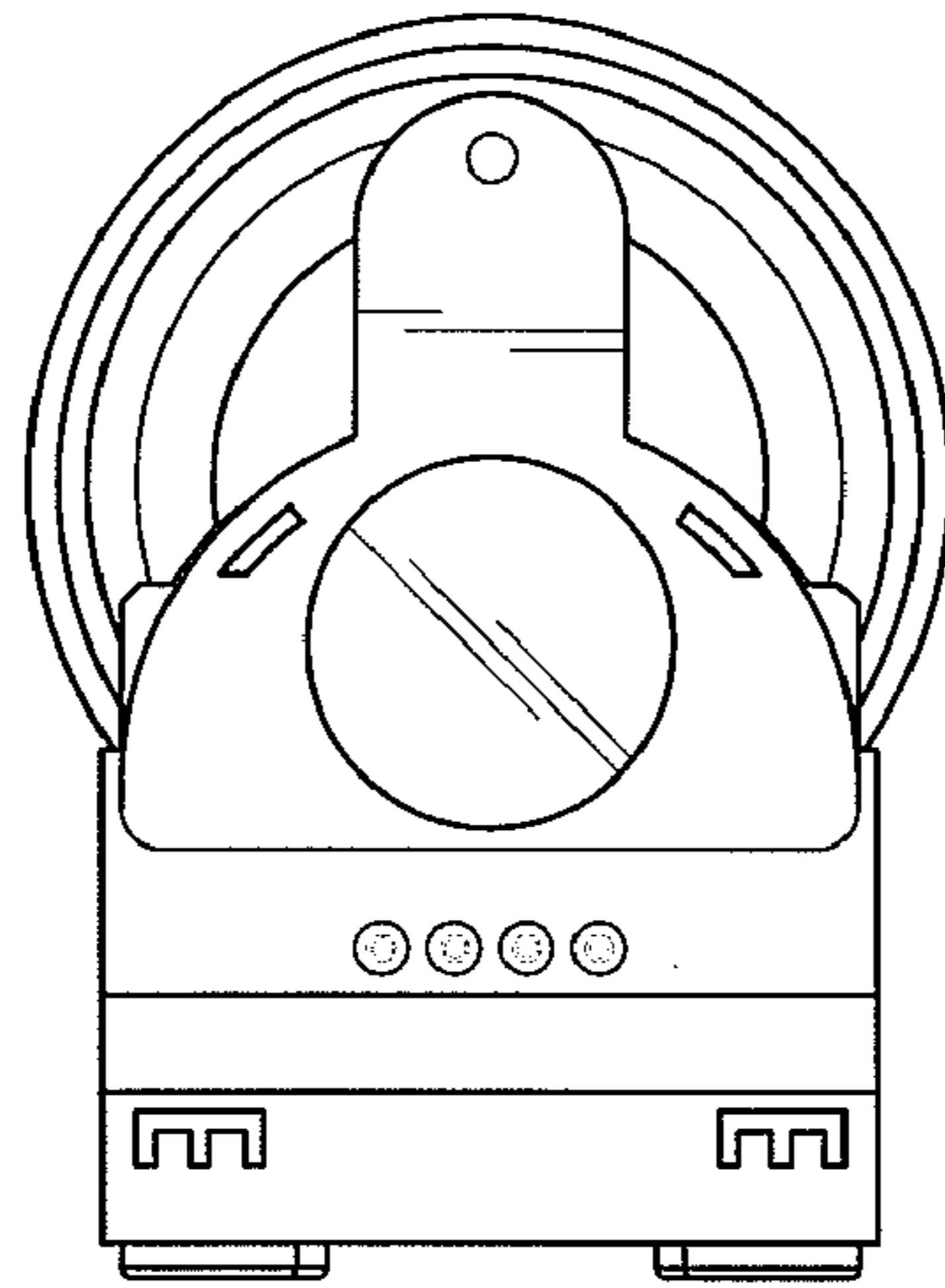


FIG. 4

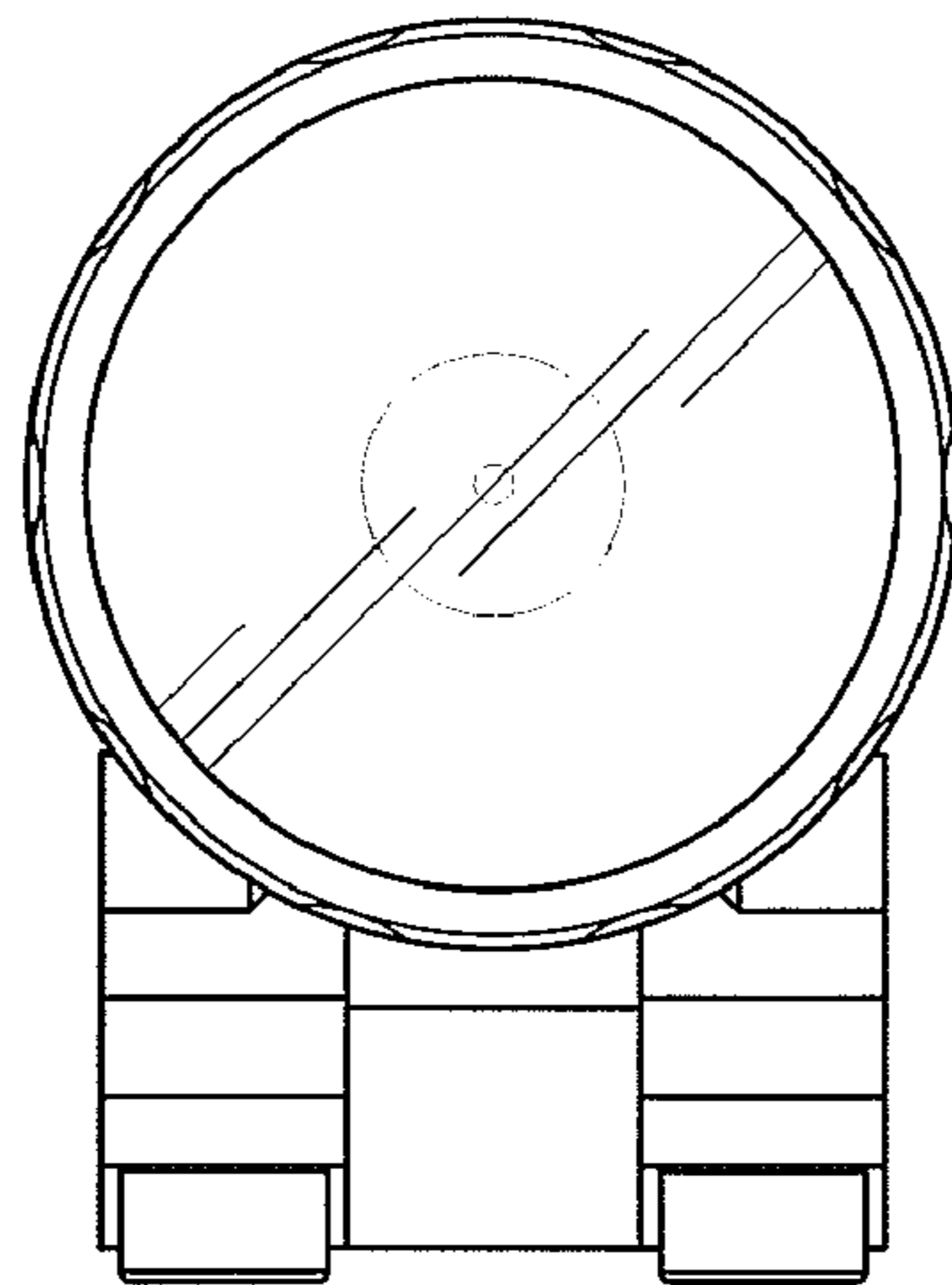


FIG. 5

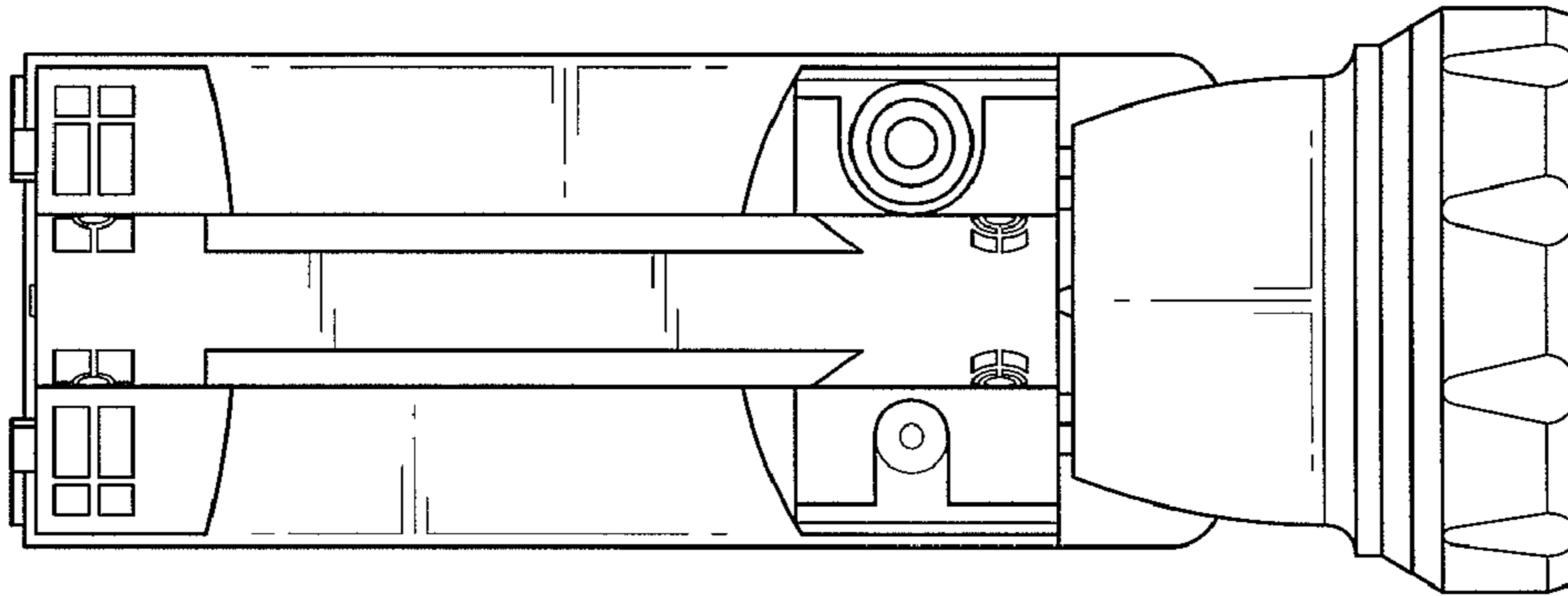


FIG. 6

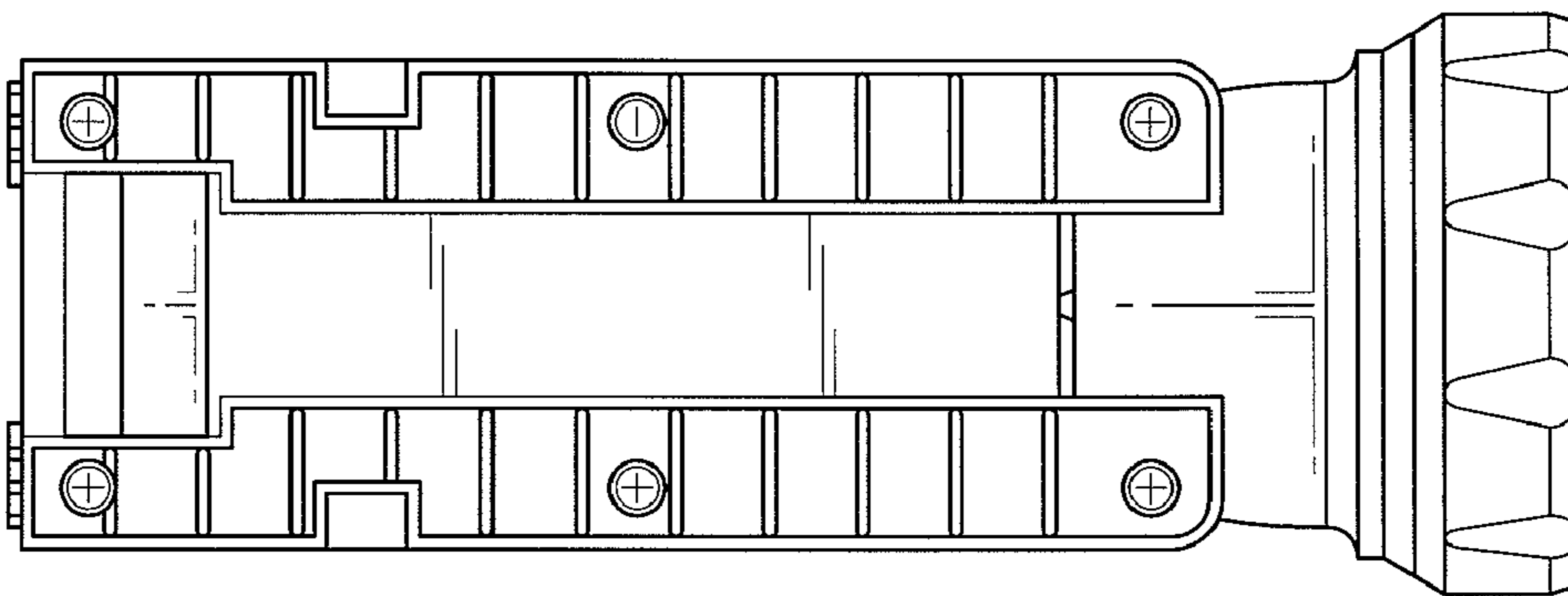


FIG. 7