



US00D641509S

(12) **United States Design Patent**
Wang

(10) **Patent No.:** **US D641,509 S**

(45) **Date of Patent:** **** Jul. 12, 2011**

(54) **FLASHLIGHT**

(75) Inventor: **Ching-Hsiang Wang**, Tainan (TW)

(73) Assignee: **Day Sun Industrial Corp.**, Tainan (TW)

(**) Term: **14 Years**

(21) Appl. No.: **29/377,286**

(22) Filed: **Oct. 20, 2010**

(51) **LOC (9) Cl.** **26-02**

(52) **U.S. Cl.** **D26/46**

(58) **Field of Classification Search** D26/37,
D26/38, 46, 48, 49, 50; 362/157, 158, 194-196,
362/200-208

See application file for complete search history.

(56) **References Cited**

U.S. PATENT DOCUMENTS

D481,482 S *	10/2003	Mah	D26/37
D504,737 S *	5/2005	Osiecki et al.	D26/37
D534,288 S *	12/2006	Krieger et al.	D26/38
D557,846 S *	12/2007	Yang	D26/49
D566,314 S *	4/2008	Jen	D26/49
D579,135 S *	10/2008	Shiu	D26/49
D598,151 S *	8/2009	McGraw	D26/49

D601,284 S *	9/2009	Schonenbach	D26/46
D610,727 S *	2/2010	Nyssen	D26/46
D616,583 S *	5/2010	Bertken	D26/49
D617,926 S *	6/2010	Kung	D26/46
D625,865 S *	10/2010	Poon	D26/48

* cited by examiner

Primary Examiner — Ian Simmons

Assistant Examiner — Carissa C Fitts

(74) *Attorney, Agent, or Firm* — Alan Kamrath; Kamrath & Associates PA

(57) **CLAIM**

The ornamental design for a flashlight, as shown and described.

DESCRIPTION

FIG. 1 is a perspective view of a flashlight showing my new design;

FIG. 2 is a front side elevational view thereof;

FIG. 3 is a rear side elevational view thereof;

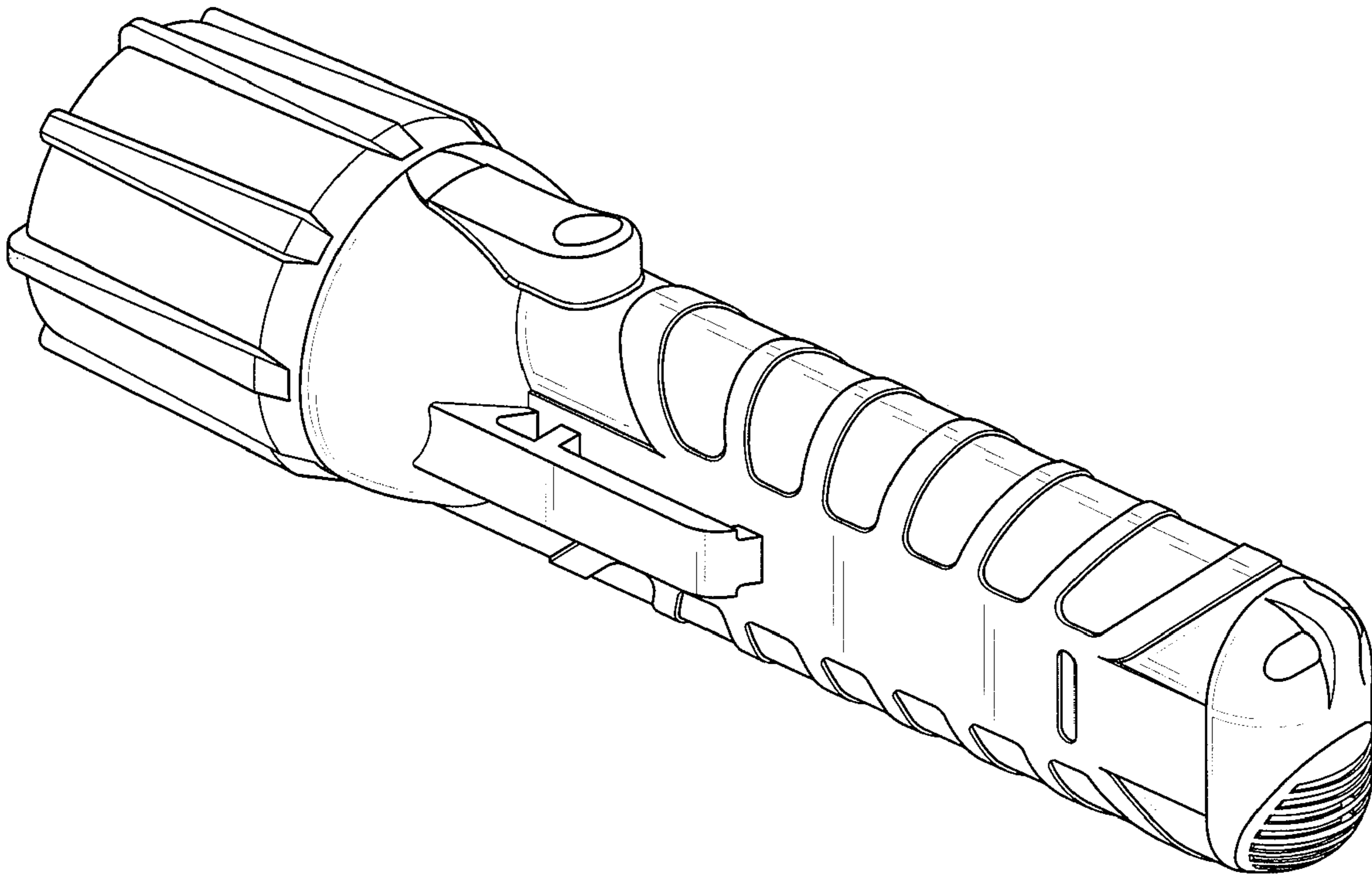
FIG. 4 is a left side elevational view thereof;

FIG. 5 is a right side elevational view thereof;

FIG. 6 is a top plan view thereof; and,

FIG. 7 is a bottom plan view thereof.

1 Claim, 4 Drawing Sheets



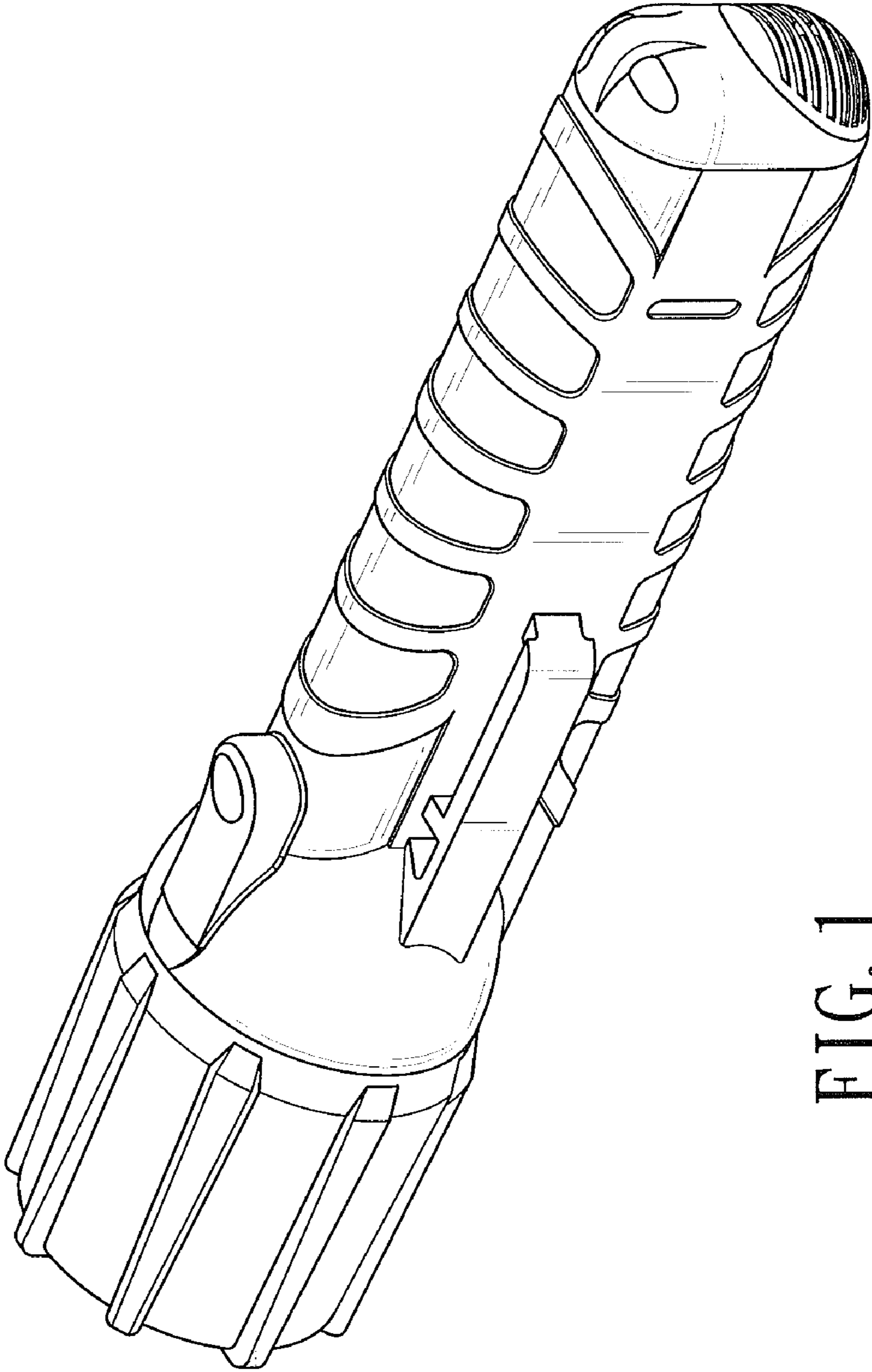


FIG. 1

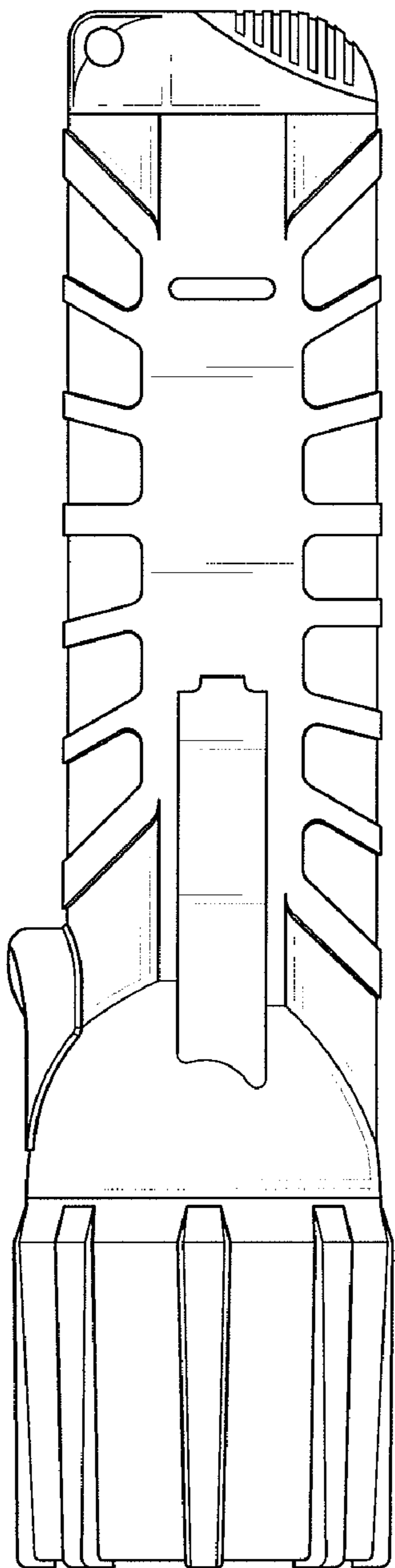


FIG. 2

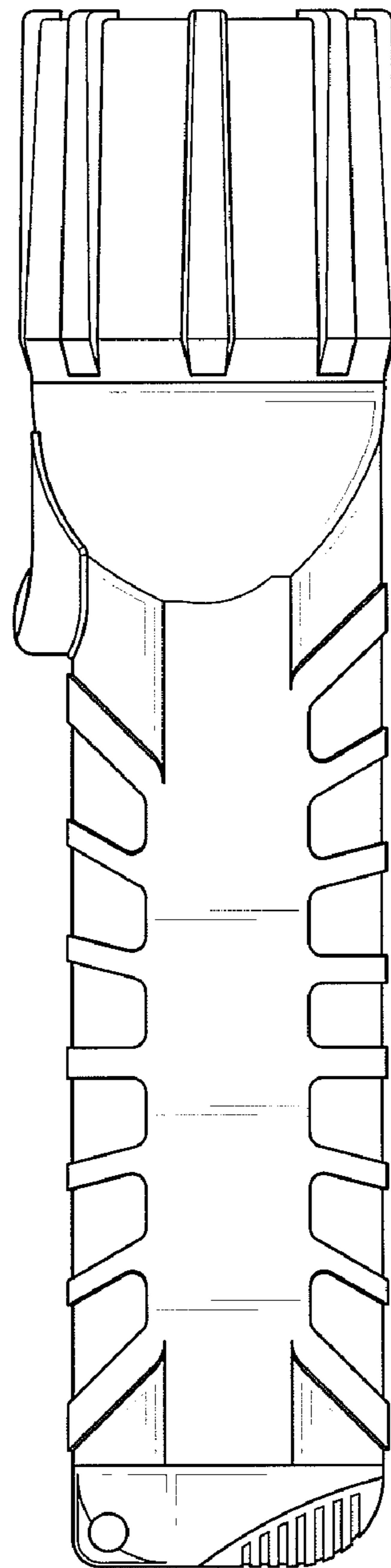


FIG. 3

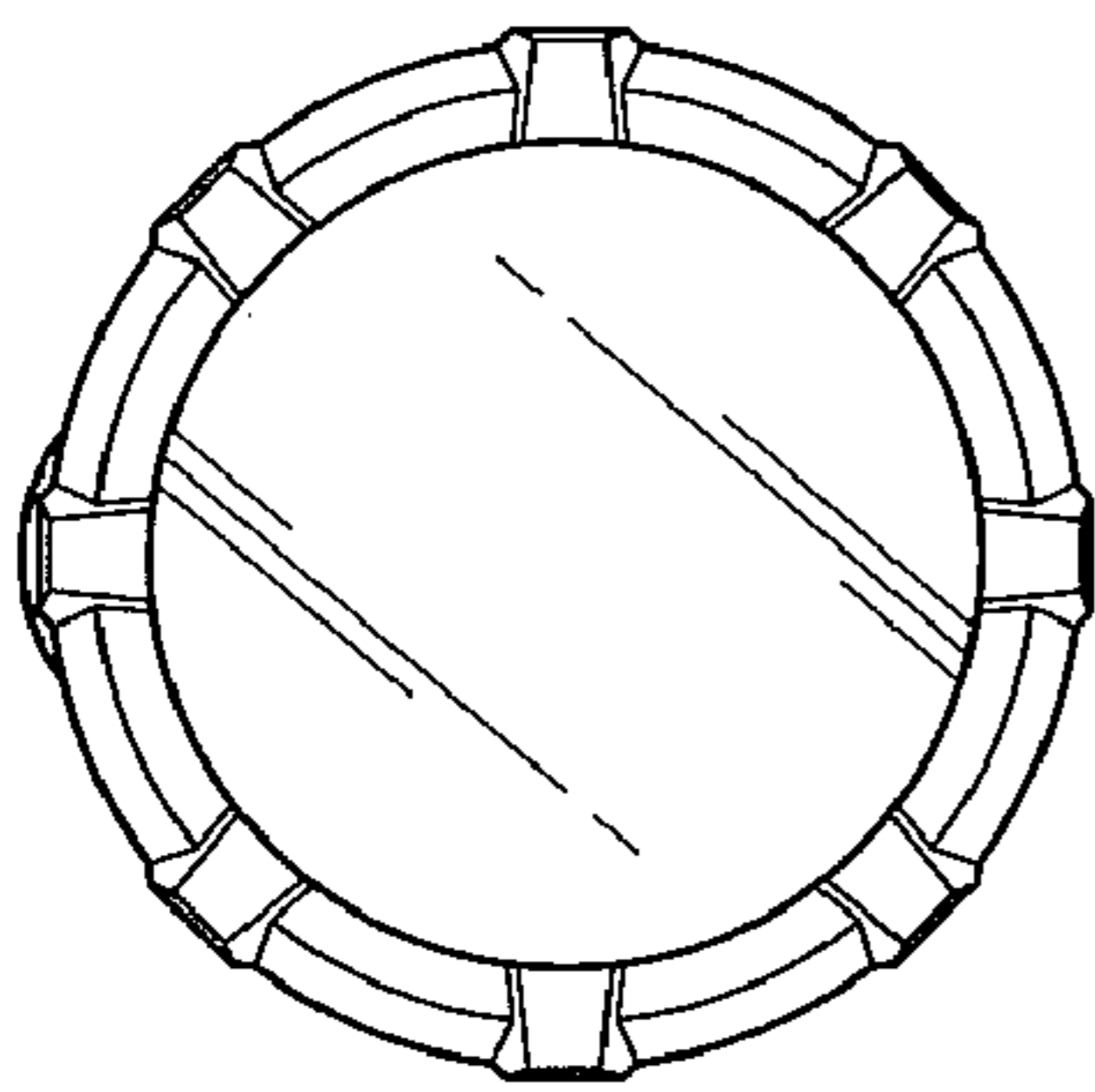


FIG. 4

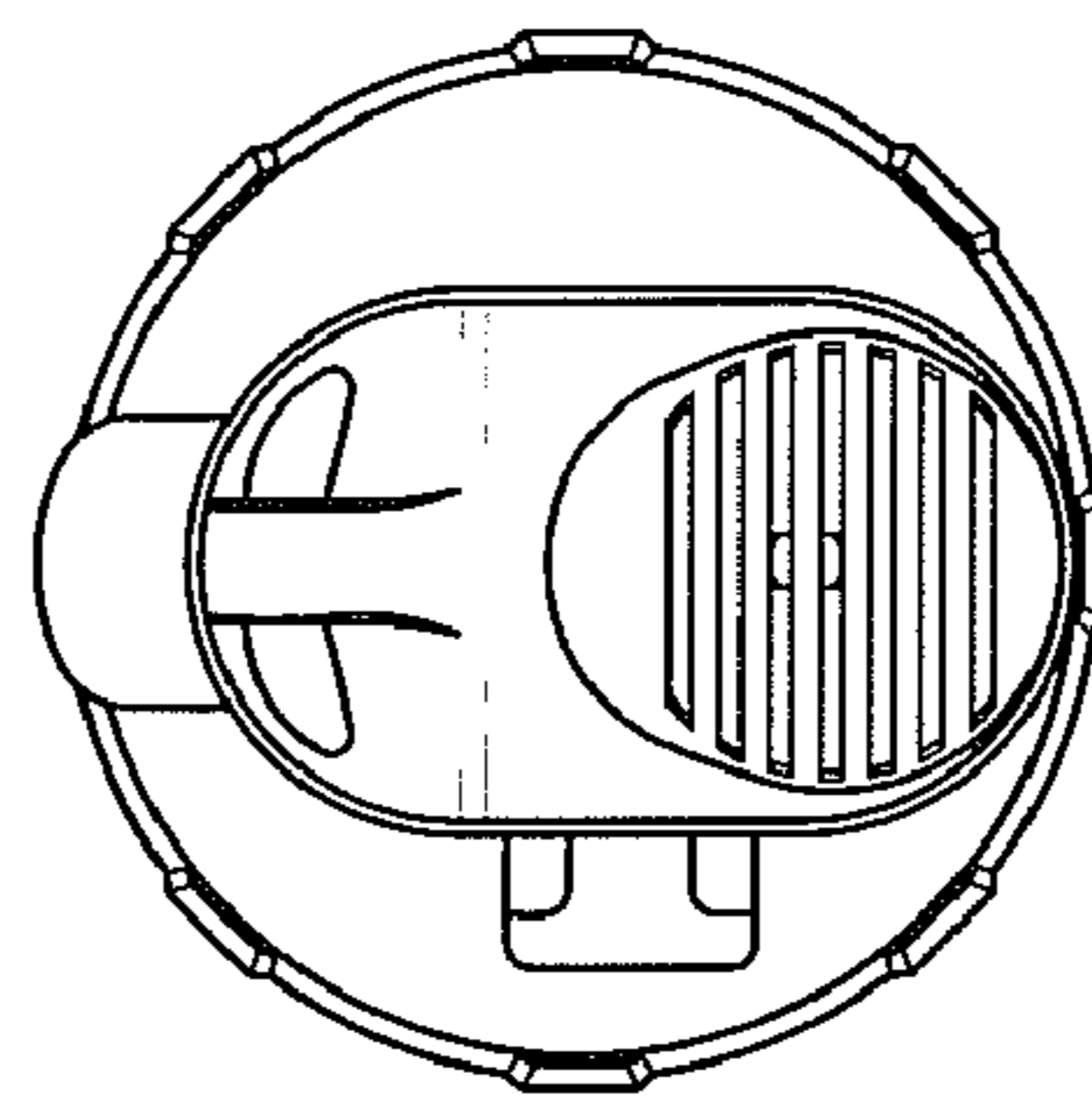


FIG. 5

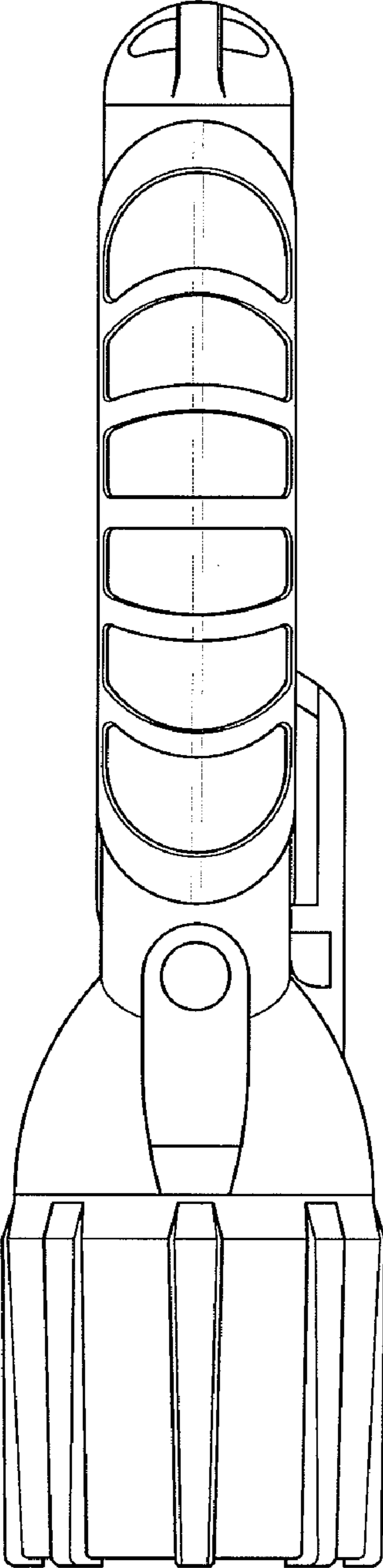


FIG. 6

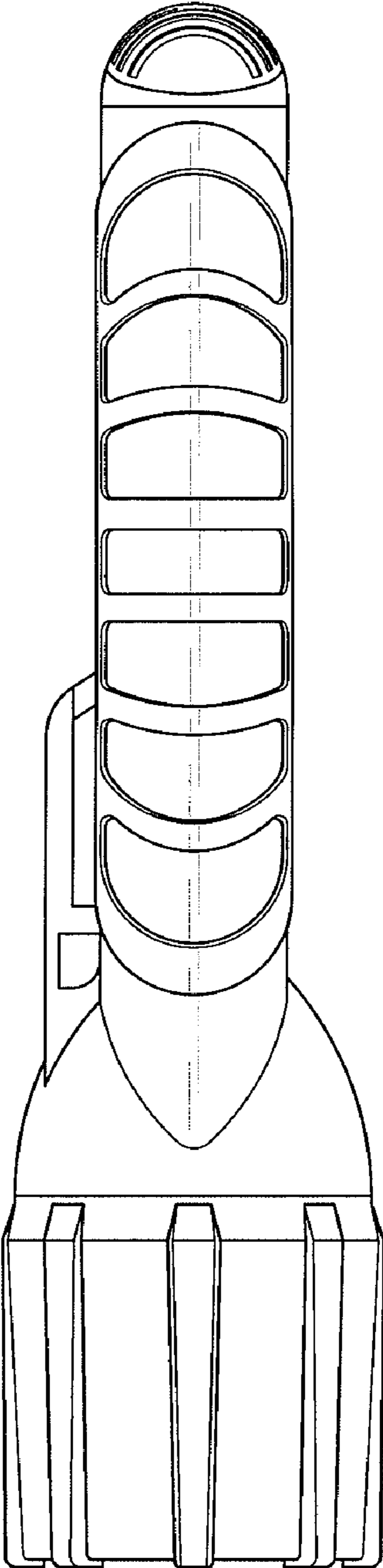


FIG. 7