



US00D641504S

(12) **United States Design Patent**
Lin

(10) **Patent No.:** **US D641,504 S**

(45) **Date of Patent:** **** Jul. 12, 2011**

(54) **LAMP ASSEMBLY**

(76) Inventor: **Benny Lin**, Taipei Hsien (TW)

(**) Term: **14 Years**

(21) Appl. No.: **29/353,511**

(22) Filed: **Jan. 10, 2010**

(51) **LOC (9) Cl.** **26-06**

(52) **U.S. Cl.** **D26/28**

(58) **Field of Classification Search** D26/28-36;
362/459-468, 475-478, 485-487

See application file for complete search history.

(56) **References Cited**

U.S. PATENT DOCUMENTS

| | | | | | |
|------------|---|---------|------------------|-------|--------|
| D601,727 S | * | 10/2009 | Huang | | D26/28 |
| D605,789 S | * | 12/2009 | Ko | | D26/28 |
| D606,675 S | * | 12/2009 | Chinaglia | | D26/28 |
| D625,443 S | * | 10/2010 | Herbin et al. | | D26/28 |
| D627,496 S | * | 11/2010 | Feinbloom et al. | | D26/28 |
| D633,633 S | * | 3/2011 | Oh et al. | | D26/28 |

* cited by examiner

Primary Examiner — Marcus Jackson

(74) *Attorney, Agent, or Firm* — Pai Patent & Trademark Law Firm; Chao-Chang David Pai

(57) **CLAIM**

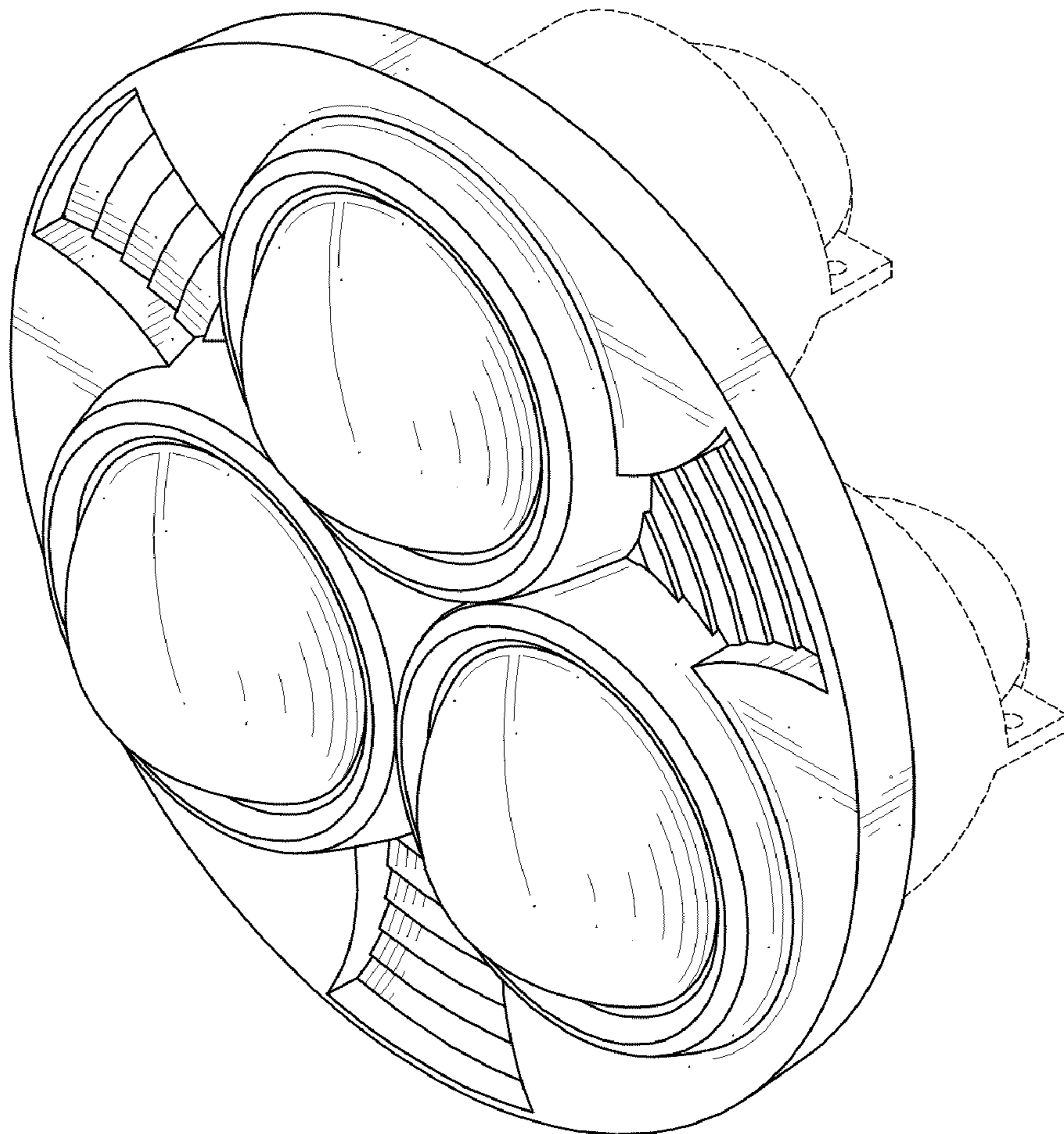
The ornamental design for a lamp assembly, as shown and described.

DESCRIPTION

FIG. 1 is a perspective view of a lamp assembly showing my new design;
FIG. 2 is a front view thereof;
FIG. 3 is a rear view thereof;
FIG. 4 is a right side view thereof, wherein a left view thereof is a mirror image of FIG. 4;
FIG. 5 is a top view thereof;
FIG. 6 is a bottom view thereof;
FIG. 7 is a perspective view thereof with a shell for receiving the lamp assembly; and,
FIG. 8 is a front view of FIG. 7.

The phantom lines are for illustrative purposes only and form no part of the claimed design.

1 Claim, 7 Drawing Sheets



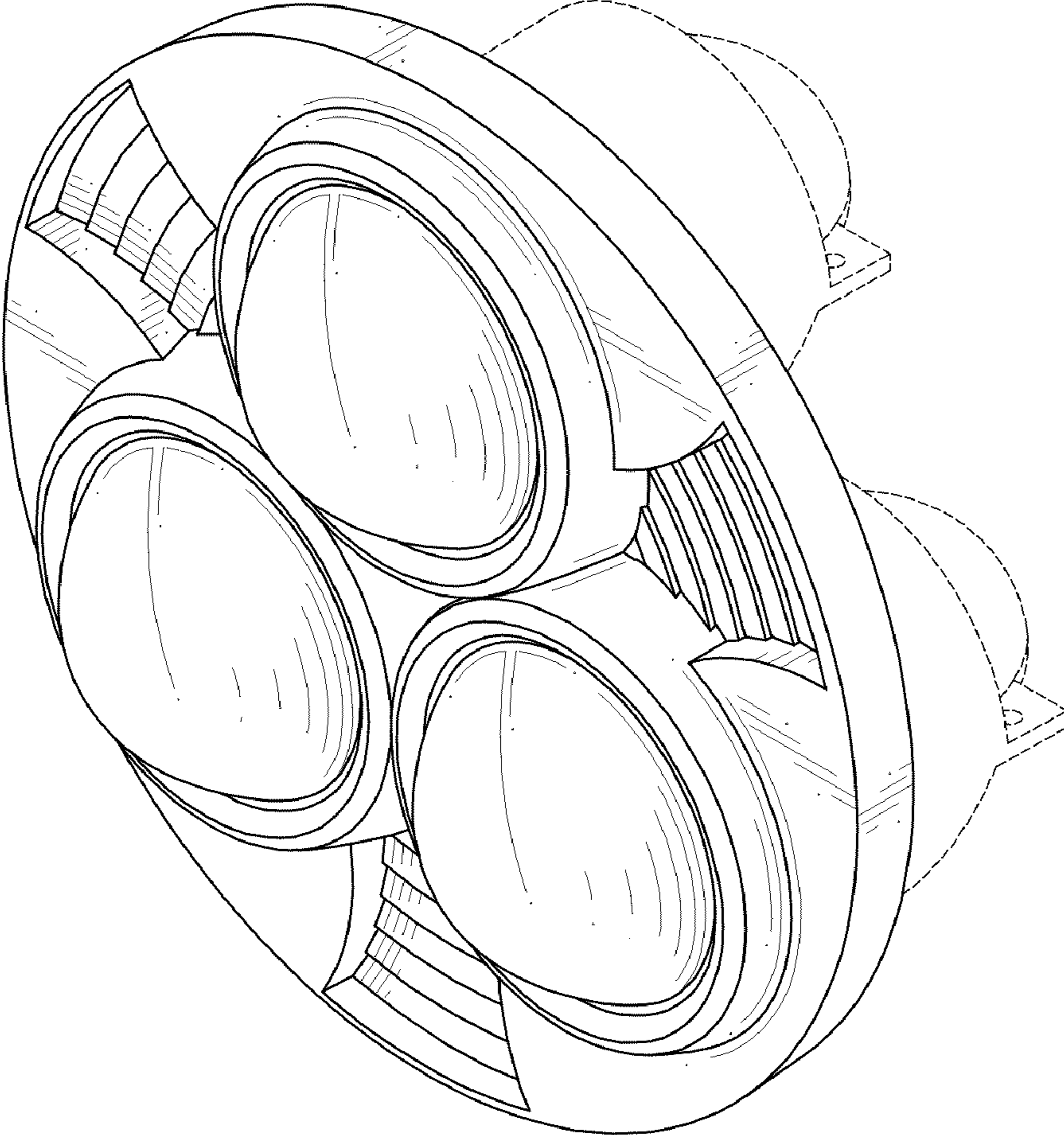


FIG.1

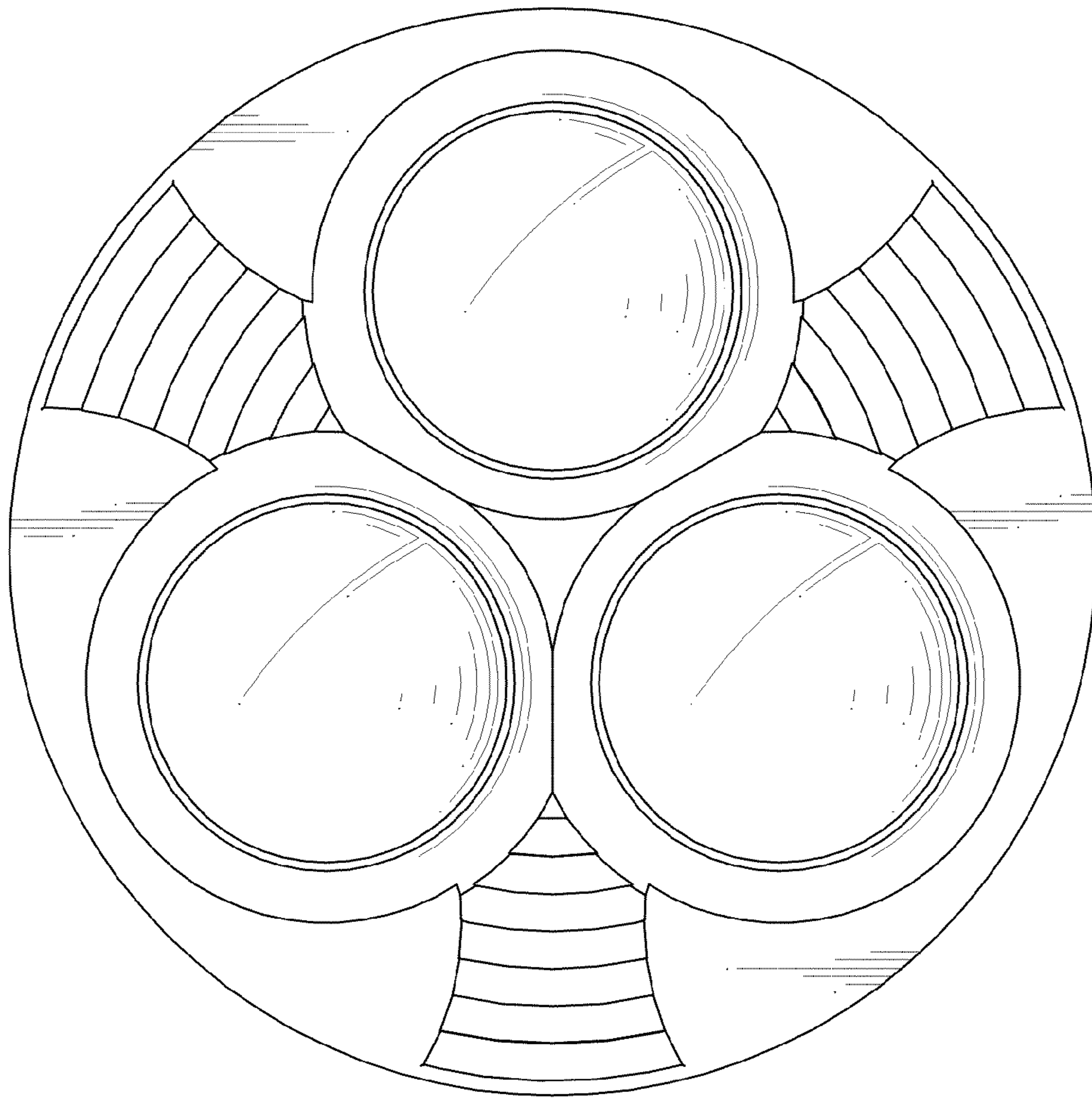


FIG.2

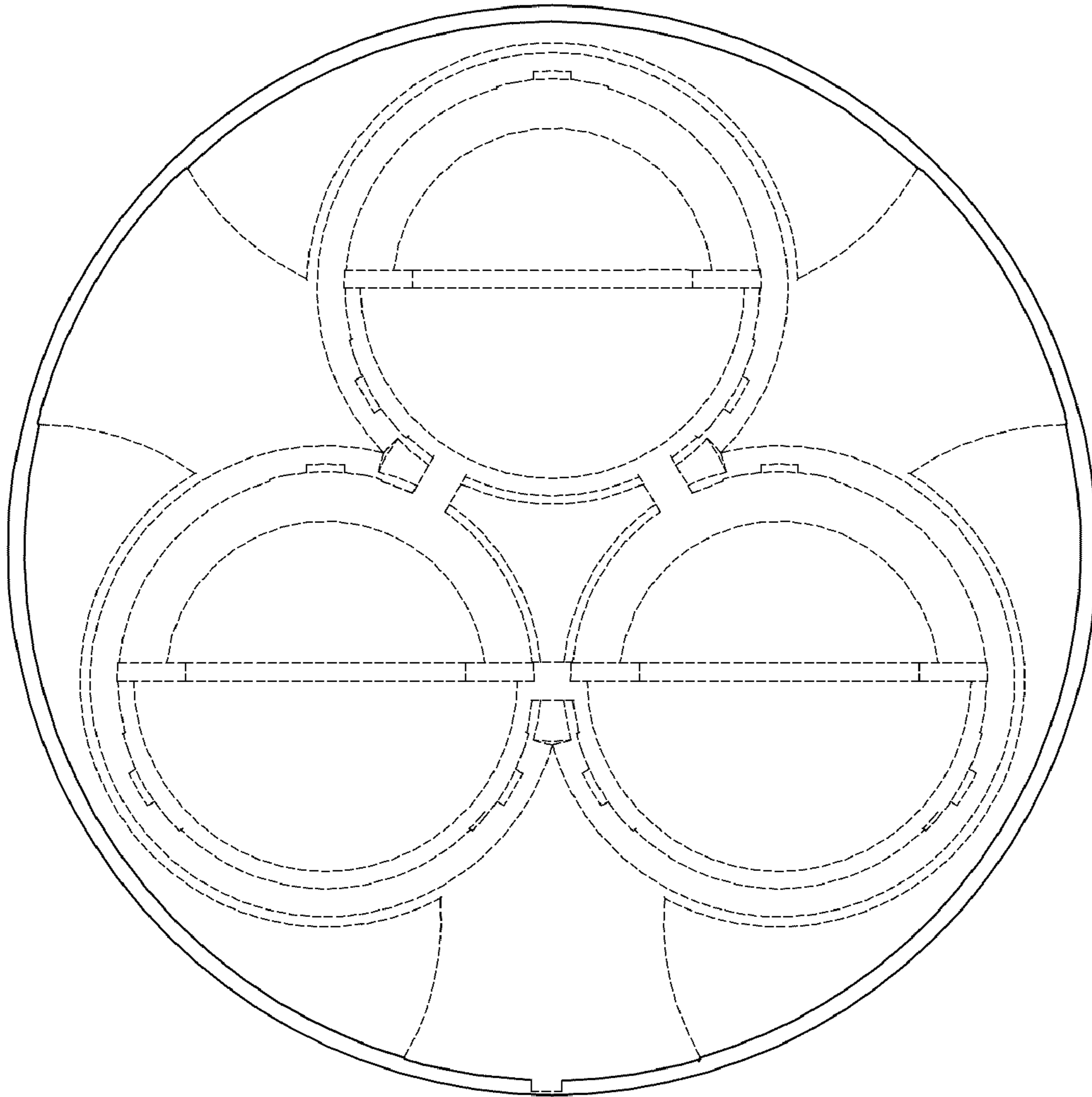


FIG.3

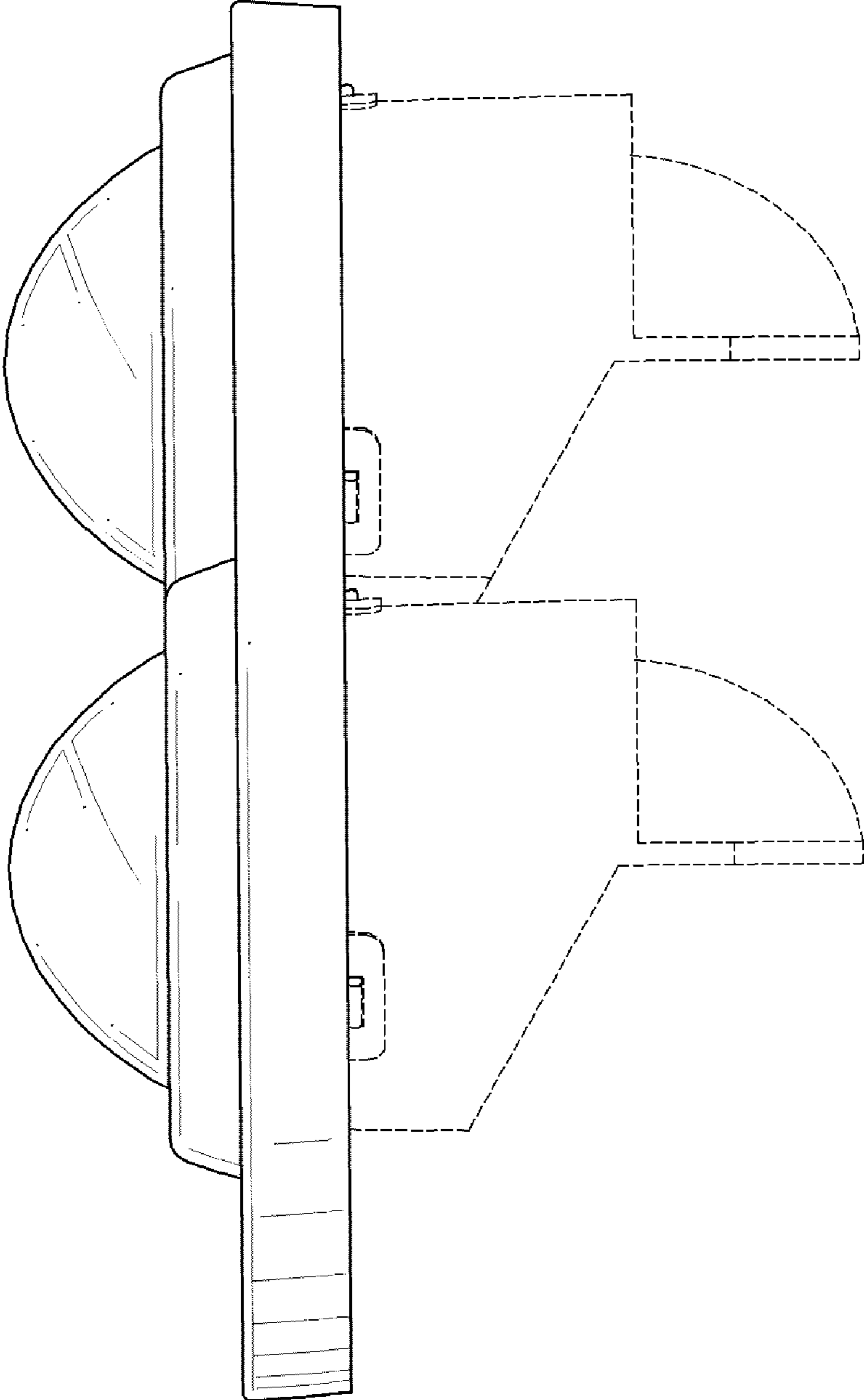


FIG.4

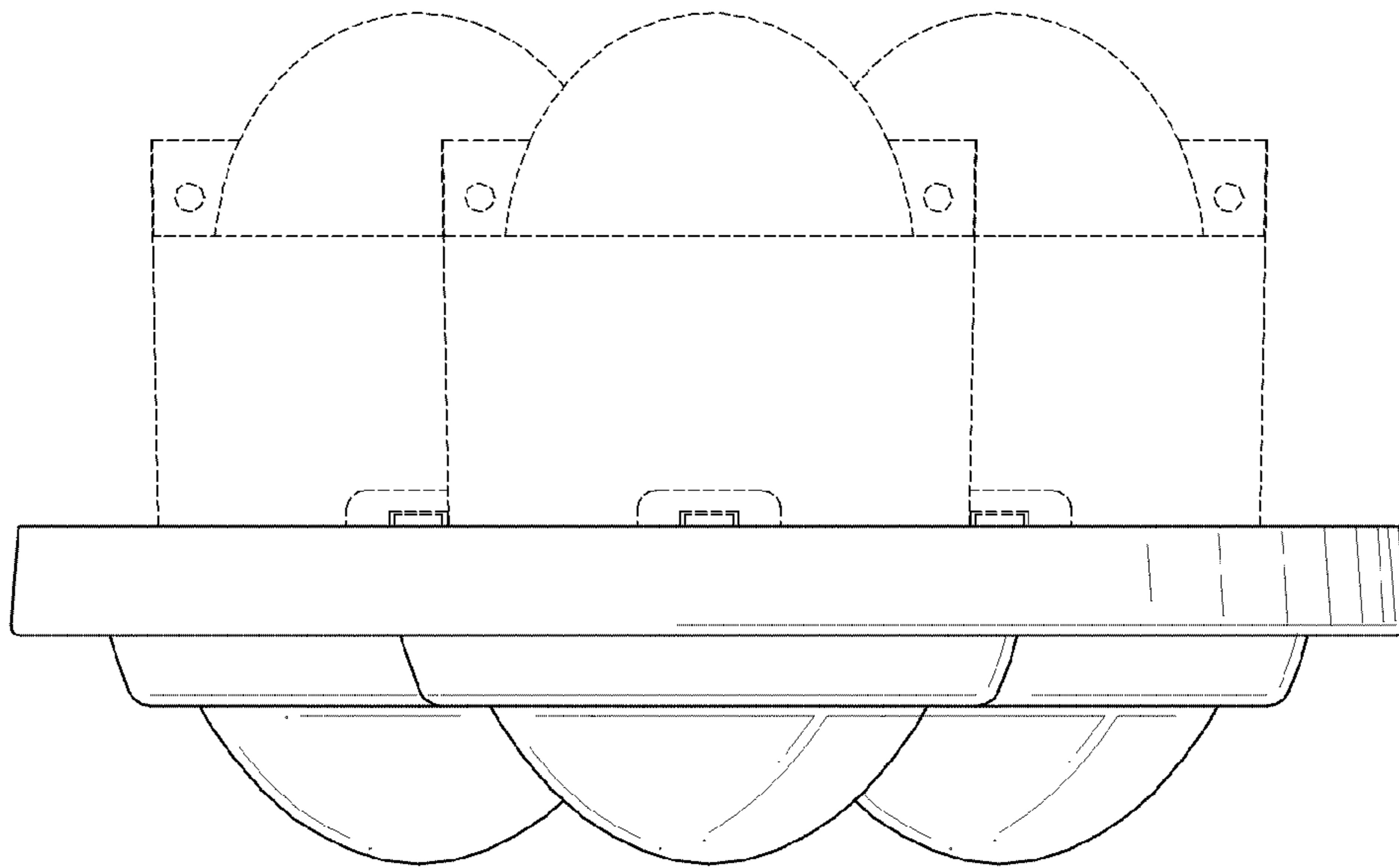


FIG.5

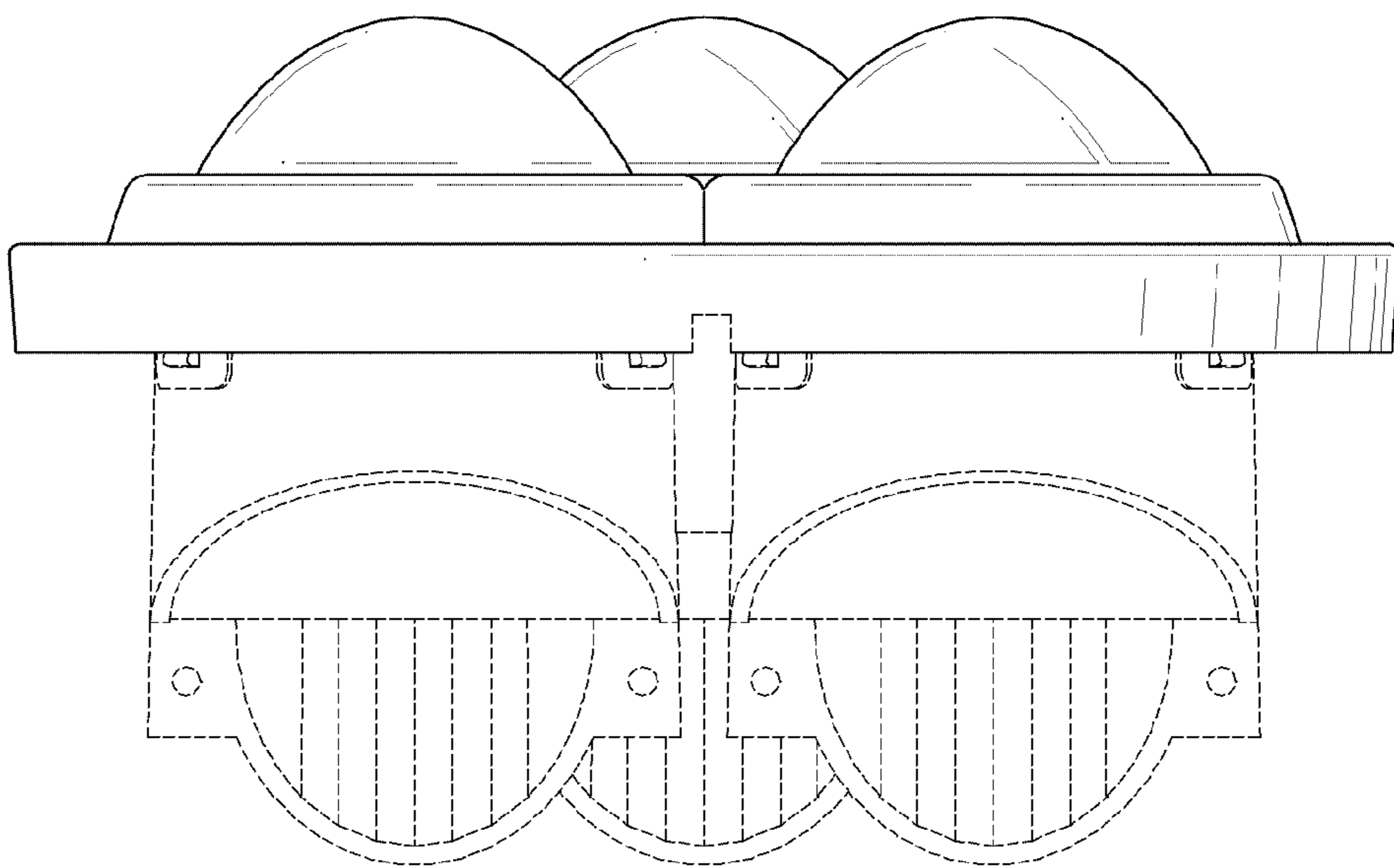


FIG.6

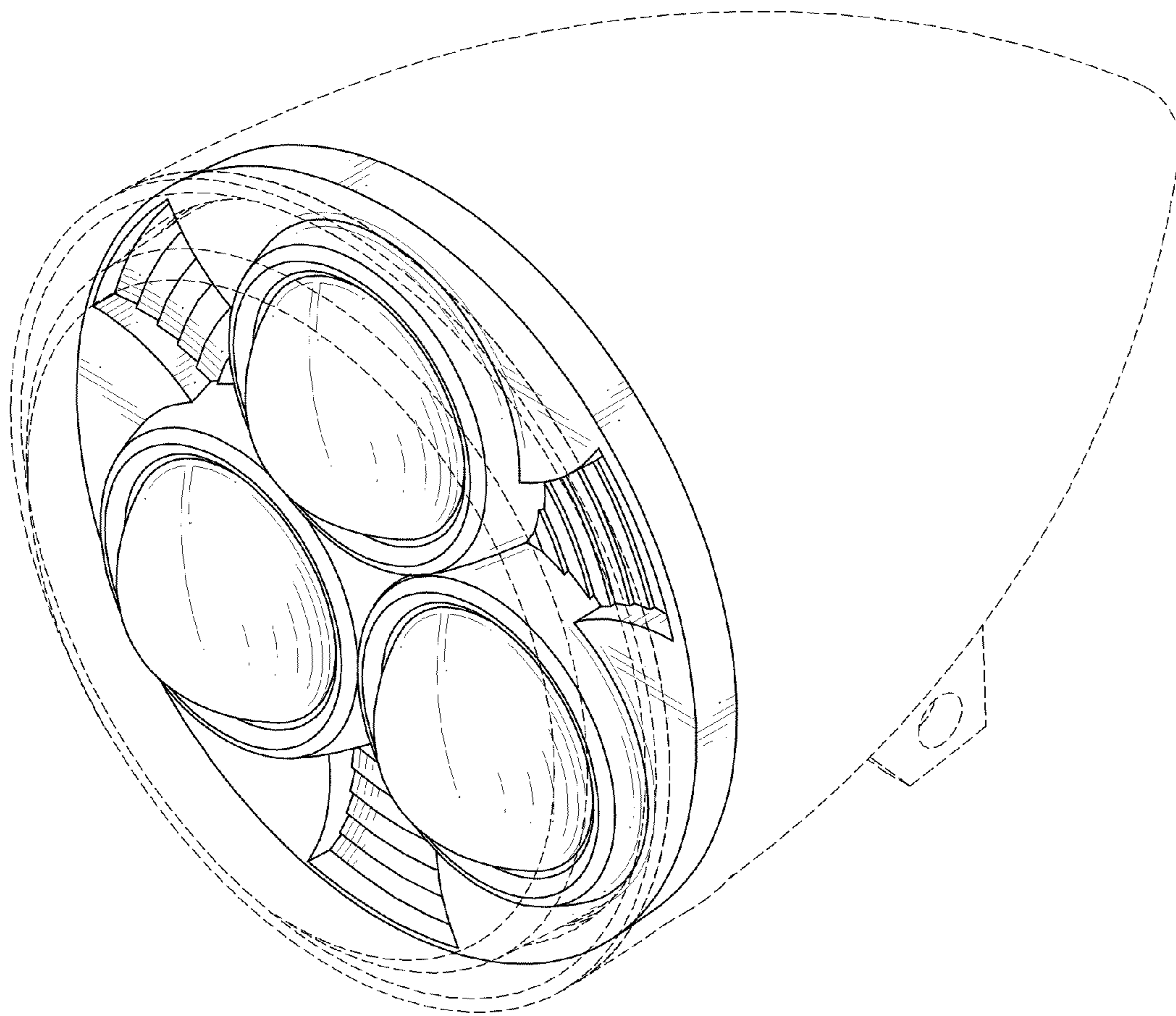


FIG.7

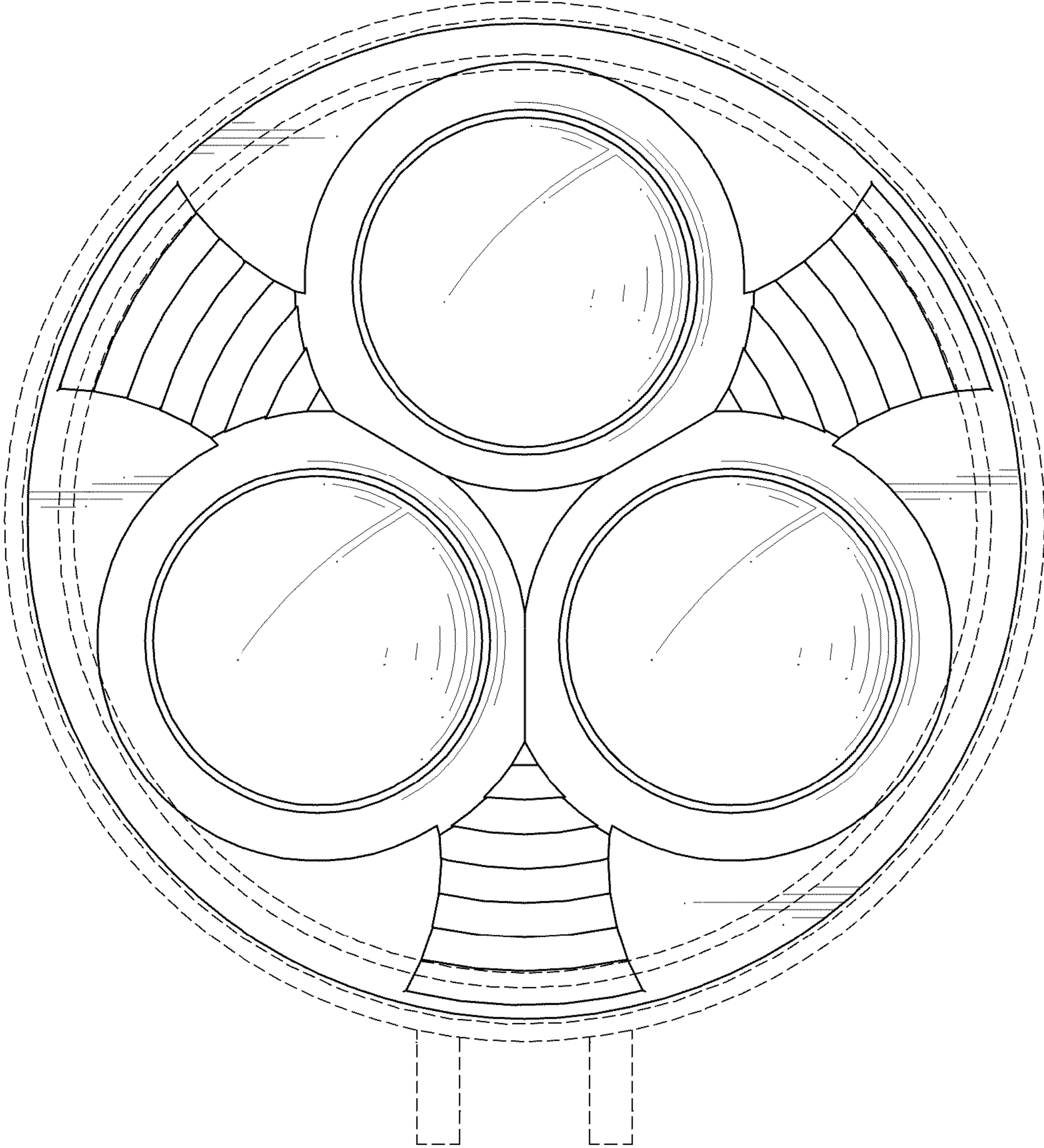


FIG.8