



US00D641501S

(12) **United States Design Patent**
Lehane, Jr. et al.

(10) **Patent No.:** **US D641,501 S**
(45) **Date of Patent:** **** Jul. 12, 2011**

(54) **SUSPENDED CEILING GRID TEE ASSEMBLY**

(75) Inventors: **James J. Lehane, Jr.**, McHenry, IL (US); **Peder J. Gulbrandsen**, Aurora, IL (US); **John L. Hammond**, Fairview Park, OH (US); **Abraham M. Underkoffler**, Waukegan, IL (US); **Mark R. Paulsen**, Beach Park, IL (US)

(73) Assignee: **USG Interiors, Inc.**, Chicago, IL (US)

(**) Term: **14 Years**

(21) Appl. No.: **29/367,707**

(22) Filed: **Aug. 12, 2010**

(51) **LOC (9) Cl.** **25-01**

(52) **U.S. Cl.** **D25/122; D25/164**

(58) **Field of Classification Search** D25/122, D25/60, 61, 55, 164; 52/220.6, 506.8, 506.7, 52/238.1, 281.1, 282.1, 282.2, 481.1

See application file for complete search history.

(56) **References Cited**

U.S. PATENT DOCUMENTS

2,123,842	A	7/1938	Cox
3,241,280	A	3/1966	Kreuzer
4,725,463	A	2/1988	Baumber et al.
4,794,745	A	1/1989	Platt

4,989,387	A	2/1991	Vukmanic et al.
5,577,313	A	11/1996	Guido et al.
5,845,447	A *	12/1998	Bodine et al. 52/506.09
5,979,055	A	11/1999	Sauer et al.
6,047,511	A	4/2000	Lehane et al.
6,446,407	B1	9/2002	Lehane et al.
6,745,536	B2 *	6/2004	Tallman et al. 52/506.06
7,516,585	B2 *	4/2009	Lehane et al. 52/506.07
7,655,862	B2	2/2010	Caveney et al.
D618,826	S *	6/2010	Lehane, Jr. D25/164
2010/0107529	A1	5/2010	Engelmeyer

* cited by examiner

Primary Examiner — Doris Clark

(74) *Attorney, Agent, or Firm* — Pearne & Gordon LLP

(57) **CLAIM**

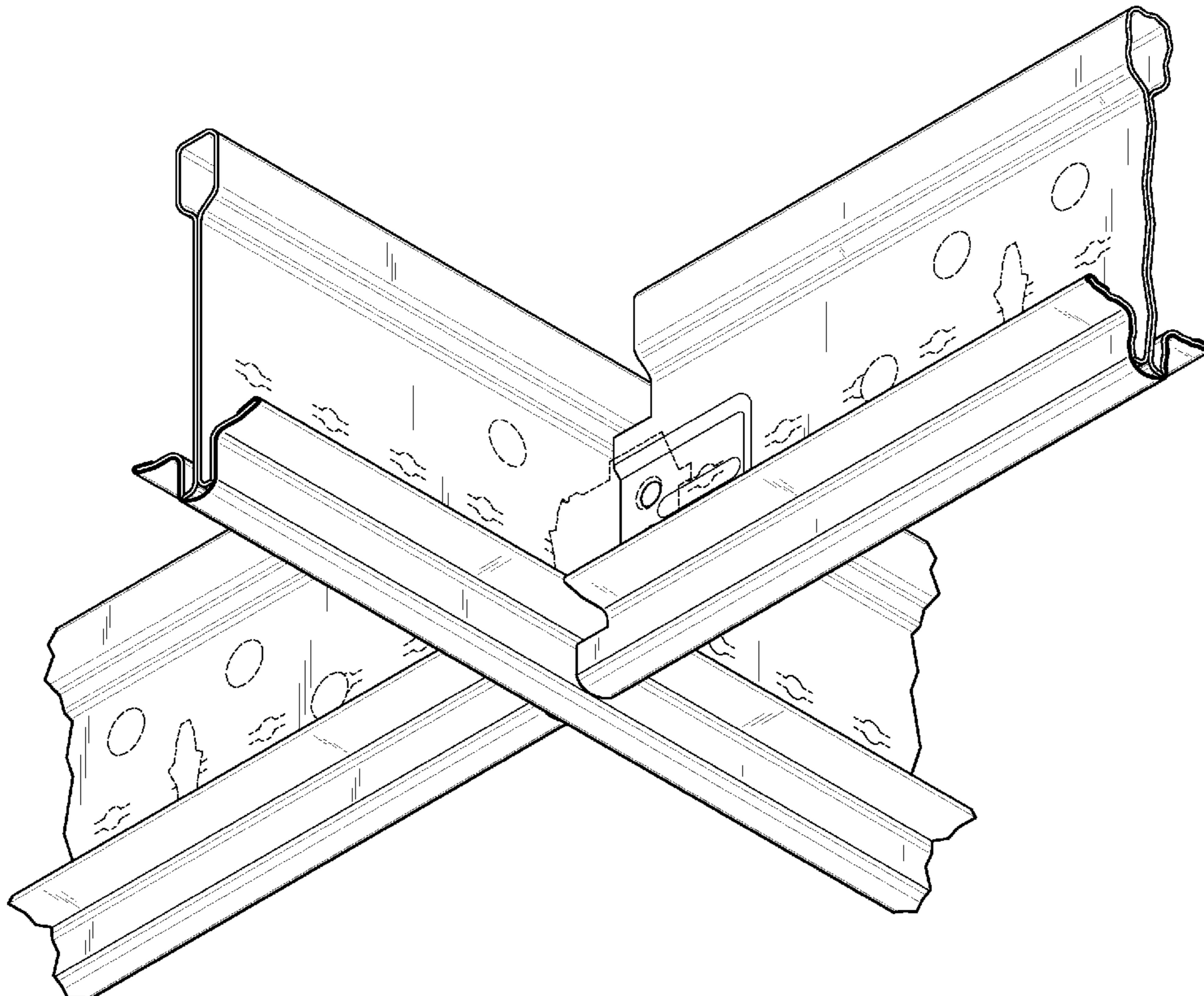
The ornamental design for a suspended ceiling grid tee assembly, as shown and described.

DESCRIPTION

FIG. 1 is an isometric view, from below, of a suspended ceiling grid tee assembly showing our new design; FIG. 2 is a side view thereof taken parallel to a main tee, the opposite view being a mirror image of this view; FIG. 3 is a side view thereof taken parallel to a cross tee, the opposite view being a mirror image of this view; FIG. 4 is a top plan view thereof; and, FIG. 5 is a bottom plan view thereof.

The dotted-line showing in the drawings illustrates environmental matter and forms no part of the claimed design.

1 Claim, 4 Drawing Sheets



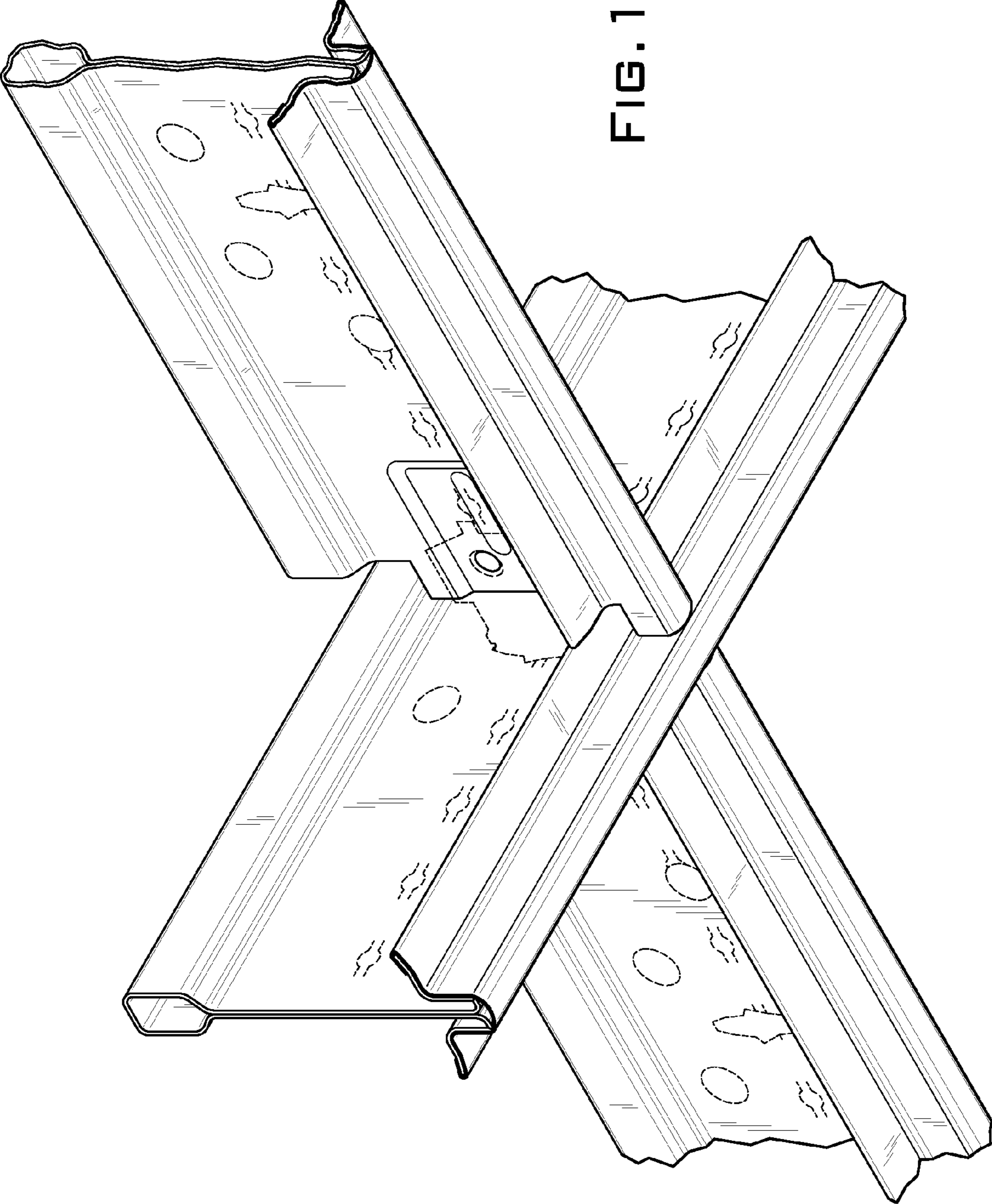


FIG. 1

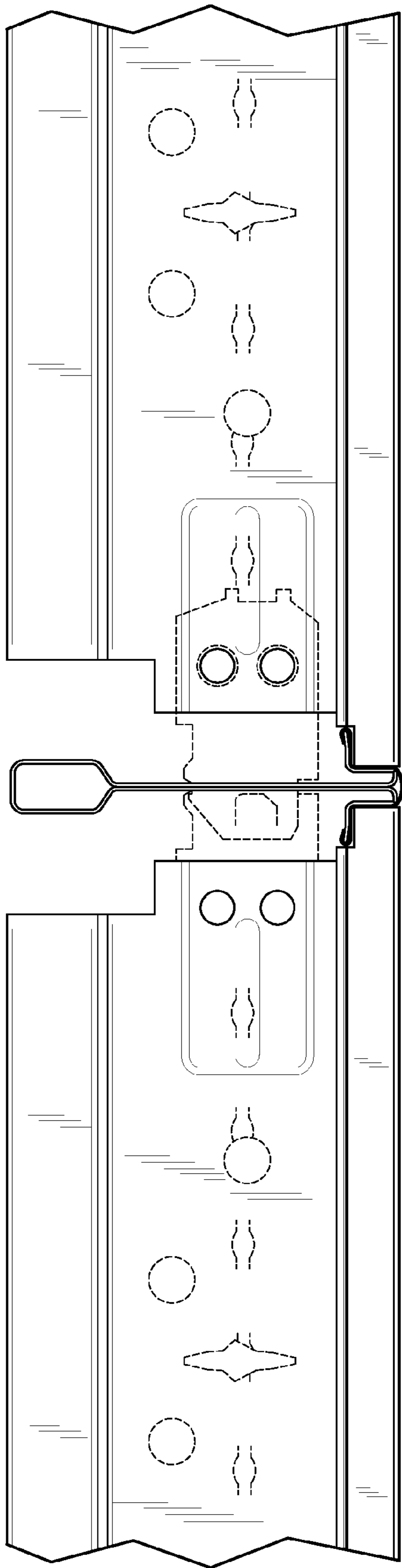


FIG. 2

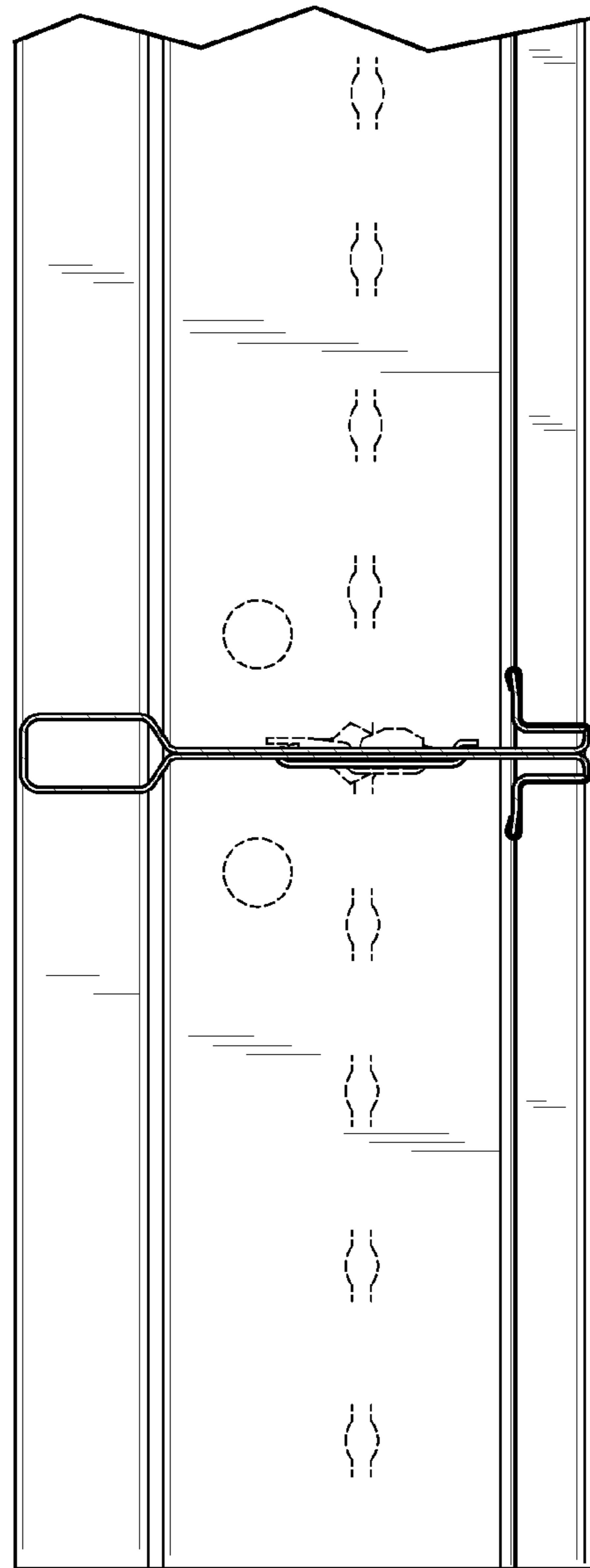


FIG. 3

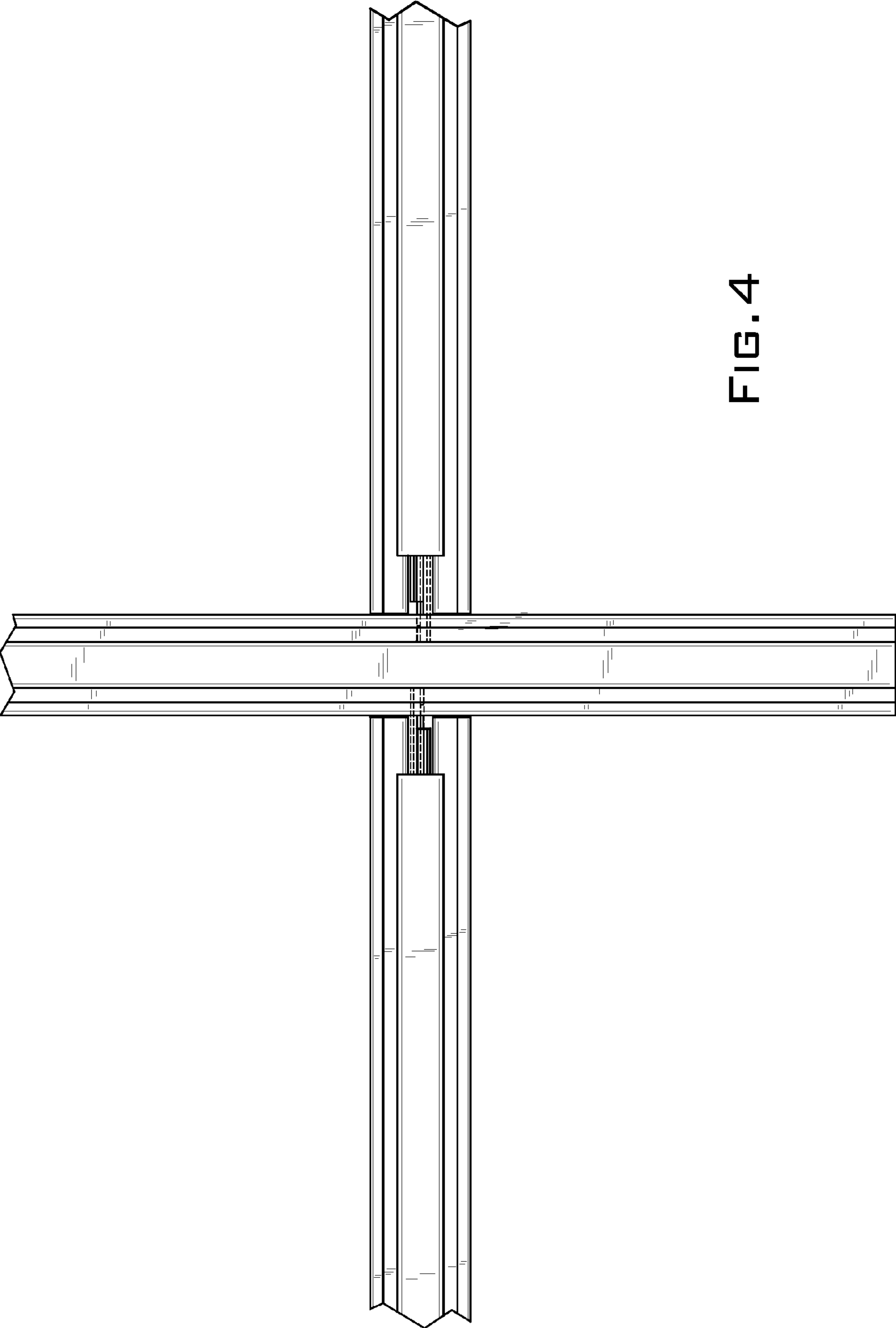


FIG. 4

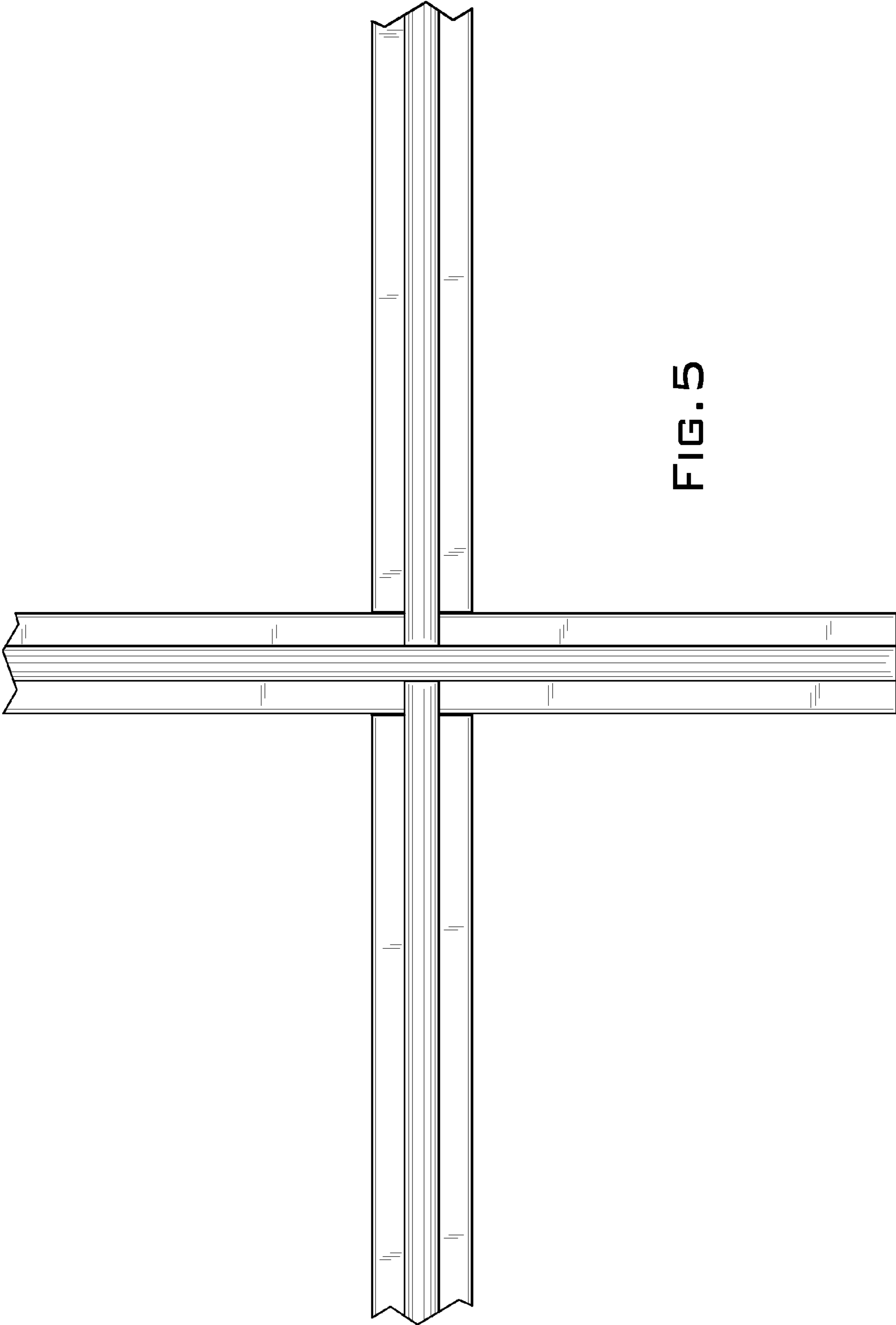


FIG. 5