



US00D641500S

(12) **United States Design Patent**  
**Lehane, Jr. et al.**

(10) **Patent No.:** **US D641,500 S**  
(45) **Date of Patent:** **\*\* Jul. 12, 2011**

(54) **SUSPENDED CEILING GRID TEE**  
(75) Inventors: **James J. Lehane, Jr.**, McHenry, IL (US); **Peder J. Gulbrandsen**, Aurora, IL (US); **John L. Hammond**, Fairview Park, OH (US); **Abraham M. Underkoffler**, Waukegan, IL (US); **Mark R. Paulsen**, Beach Park, IL (US)

(73) Assignee: **USG Interiors, Inc.**, Chicago, IL (US)

(\*\*) Term: **14 Years**

(21) Appl. No.: **29/367,706**

(22) Filed: **Aug. 12, 2010**

(51) **LOC (9) Cl.** ..... **25-01**

(52) **U.S. Cl.** ..... **D25/122; D25/164**

(58) **Field of Classification Search** ..... **D25/122, D25/60, 61, 55, 164; 52/220.6, 506.8, 506.7, 52/238.1, 281.1, 282.1, 282.2, 481.1**  
See application file for complete search history.

(56) **References Cited**

**U.S. PATENT DOCUMENTS**

2,123,842 A 7/1938 Cox  
3,241,280 A 3/1966 Kreuzer  
4,725,463 A 2/1988 Baumber et al.

4,794,745 A 1/1989 Platt  
4,989,387 A 2/1991 Vukmanic et al.  
5,577,313 A 11/1996 Guido et al.  
5,845,447 A \* 12/1998 Bodine et al. .... 52/506.09  
5,979,055 A 11/1999 Sauer et al.  
6,047,511 A 4/2000 Lehane et al.  
6,446,407 B1 9/2002 Lehane et al.  
6,745,536 B2 \* 6/2004 Tallman et al. .... 52/506.06  
7,516,585 B2 \* 4/2009 Lehane et al. .... 52/506.07  
7,655,862 B2 2/2010 Caveney et al.  
D618,826 S \* 6/2010 Lehane, Jr. .... D25/164  
2010/0107529 A1 5/2010 Engelmeyer

\* cited by examiner

*Primary Examiner* — Doris Clark

(74) *Attorney, Agent, or Firm* — Pearen & Gordon LLP

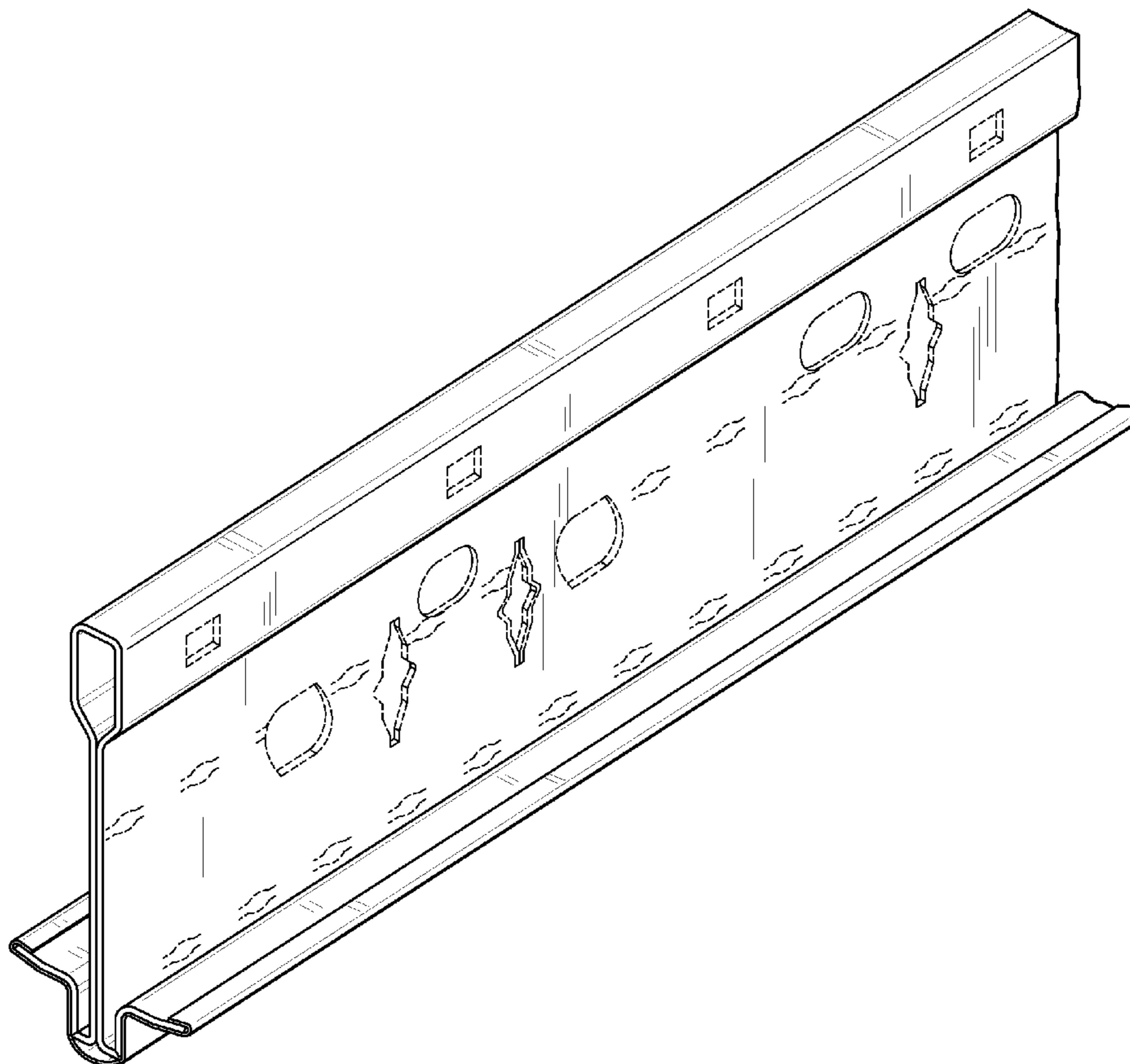
(57) **CLAIM**

The ornamental design for a suspended ceiling grid tee, as shown and described.

**DESCRIPTION**

FIG. 1 is a isometric view of a suspended ceiling grid tee showing our new design;  
FIG. 2 is an end view thereof;  
FIG. 3 is a right side view thereof, the left side view being a mirror image of this view;  
FIG. 4 is a top plan view thereof; and,  
FIG. 5 is a bottom plan view thereof.  
The dotted-line showing in the drawings illustrates environmental matter and forms no part of the claimed design.

**1 Claim, 2 Drawing Sheets**



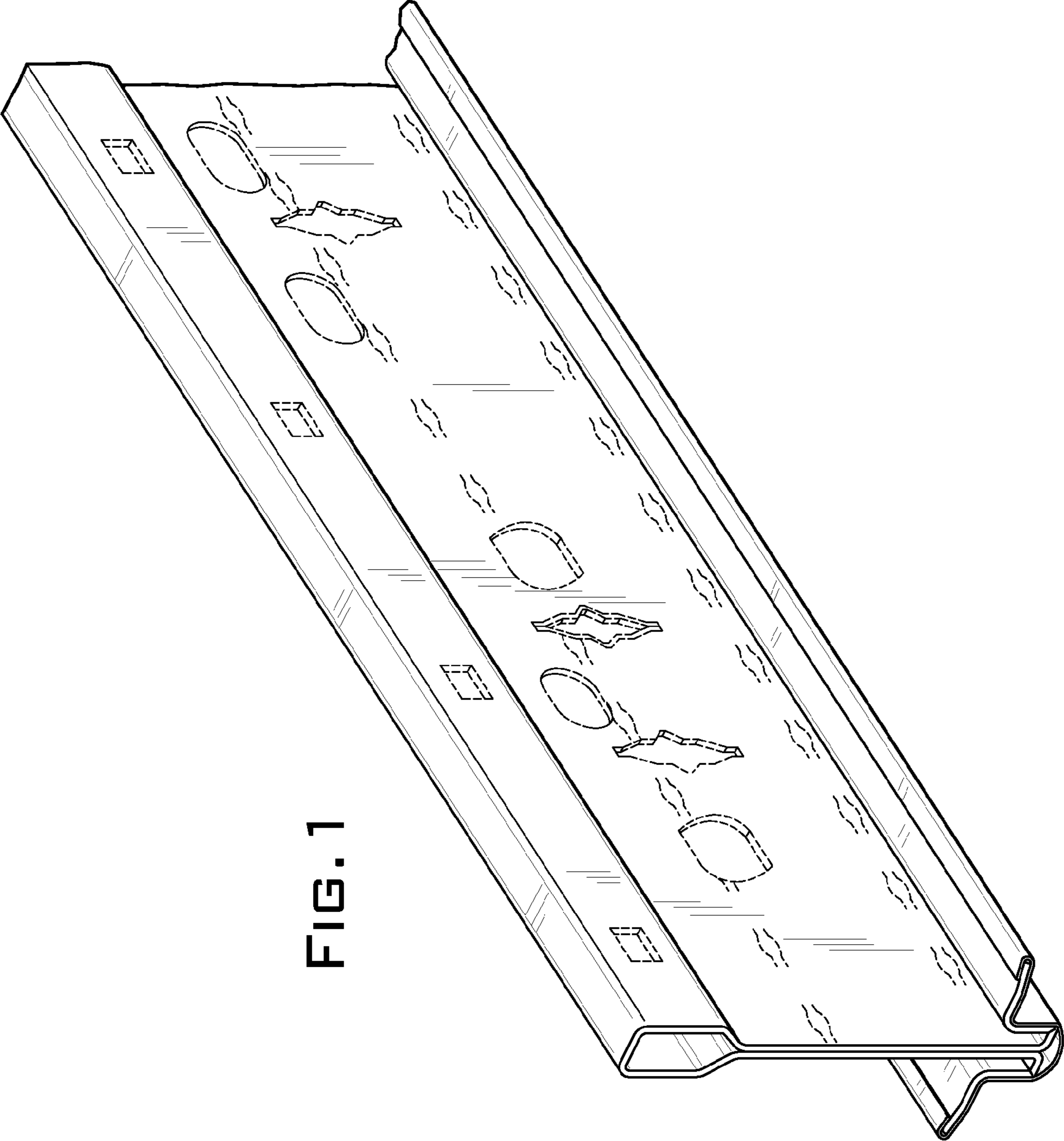


FIG. 1

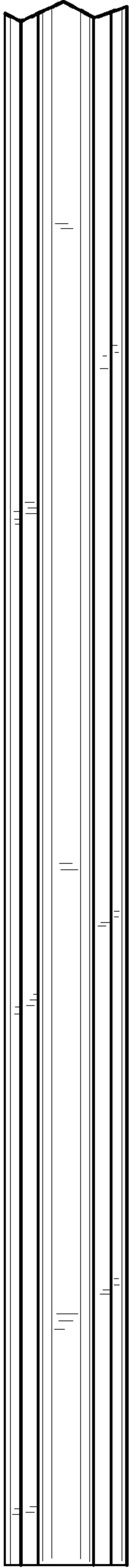


FIG. 4



FIG. 2

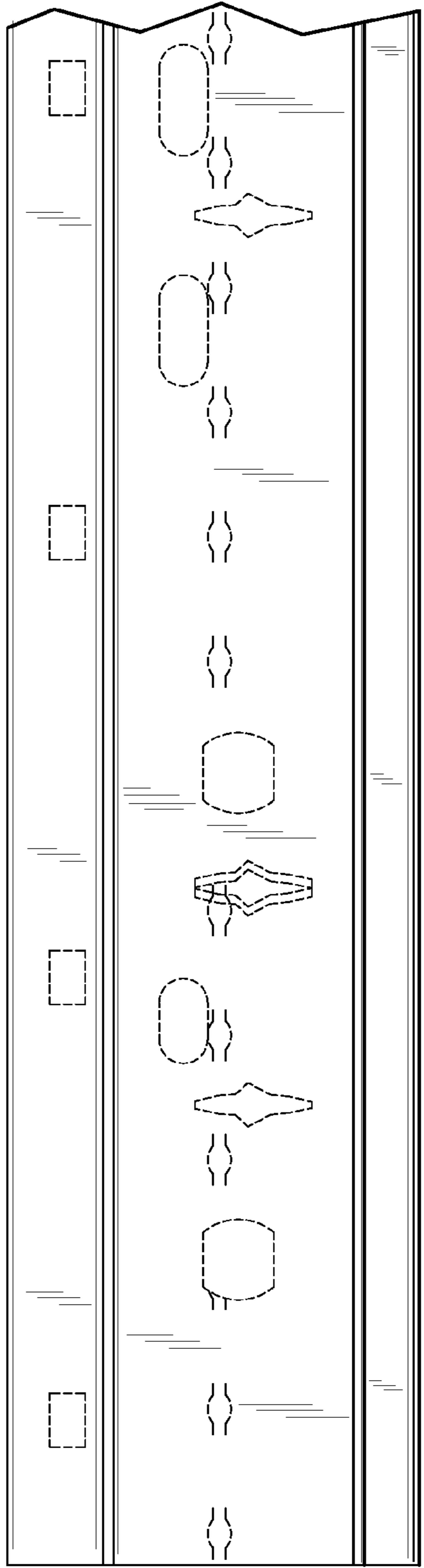


FIG. 3

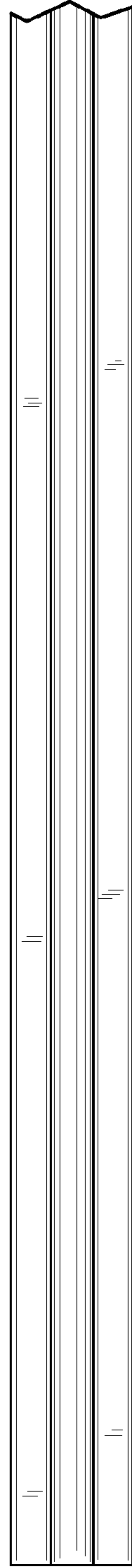


FIG. 5