



US00D641497S

(12) **United States Design Patent**
Florimonte

(10) **Patent No.:** **US D641,497 S**

(45) **Date of Patent:** **** Jul. 12, 2011**

(54) **FENCE**

(76) Inventor: **Carolyn J. Florimonte**, Dalton, PA (US)

(**) Term: **14 Years**

(21) Appl. No.: **29/346,053**

(22) Filed: **Oct. 26, 2009**

(51) **LOC (9) Cl.** **25-02**

(52) **U.S. Cl.** **D25/38**

(58) **Field of Classification Search** 256/19,
256/20, 48, DIG. 2; D25/38, 42; 52/233
See application file for complete search history.

(56) **References Cited**

U.S. PATENT DOCUMENTS

3,799,506	A *	3/1974	Schwartz	256/24
5,180,143	A *	1/1993	Brower	256/24
D465,286	S *	11/2002	Gregori	D25/38
7,100,904	B2 *	9/2006	Kim	256/67

* cited by examiner

Primary Examiner — Doris Clark

(74) *Attorney, Agent, or Firm* — QuickPatents, Inc.; Kevin Prince

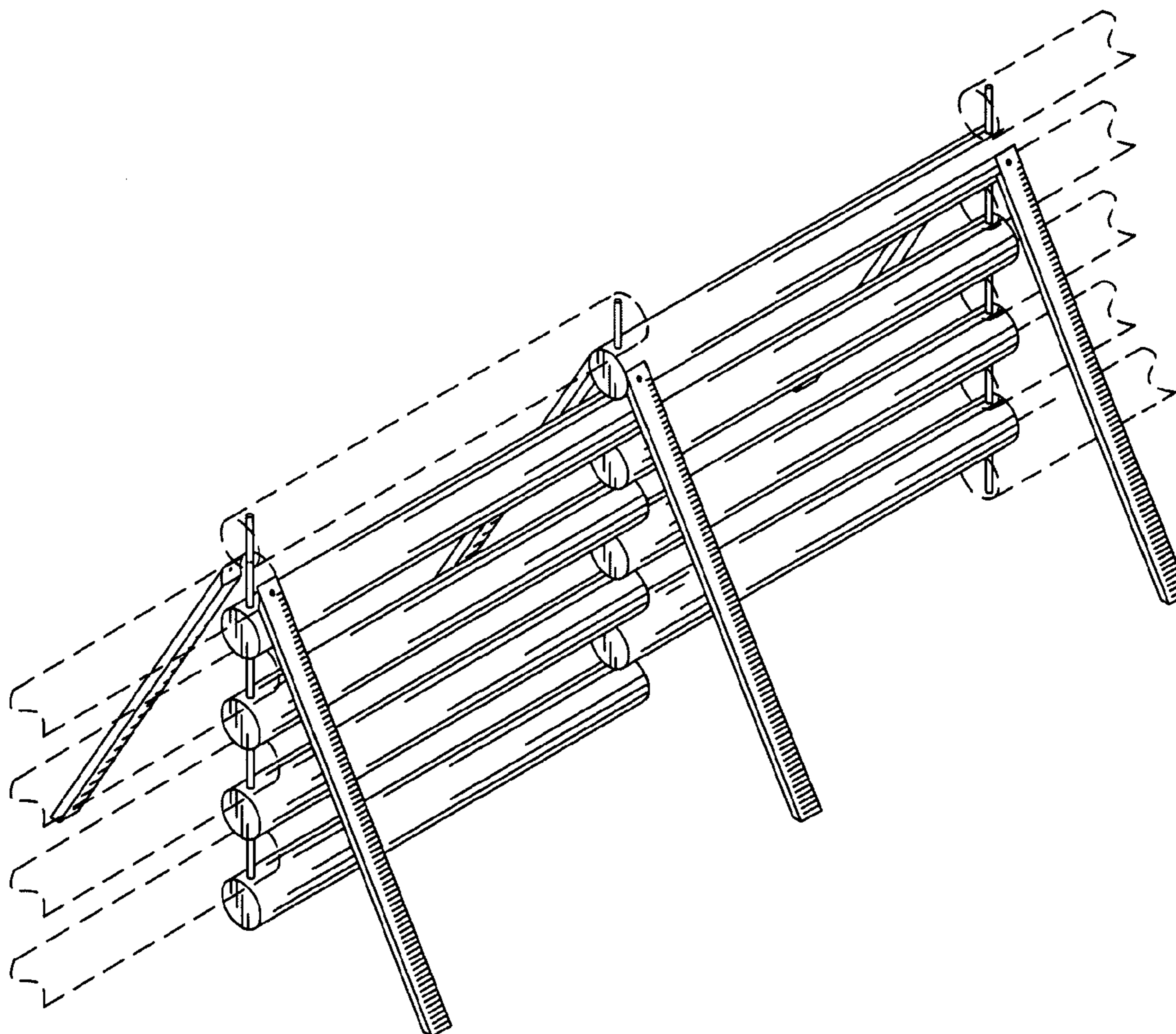
(57) **CLAIM**

I claim the ornamental design for a fence, as shown and described.

DESCRIPTION

FIG. 1 is a perspective view of a fence, showing the new design;
FIG. 2 is an exploded perspective view thereof;
FIG. 3 is a front elevational view thereof, the rear elevational view being a mirror image thereof;
FIG. 4 is a left-side elevational view thereof, the right-side elevational view being a mirror image thereof;
FIG. 5 is a top plan view thereof; and,
FIG. 6 is a bottom plan view thereof.
The broken lines showing a additional fencing segments in FIGS. 1 and 2, and optional additional slats in FIGS. 1 and 2, are included for the purpose of illustrating the invention in use, and form no part of the claimed design.

1 Claim, 3 Drawing Sheets



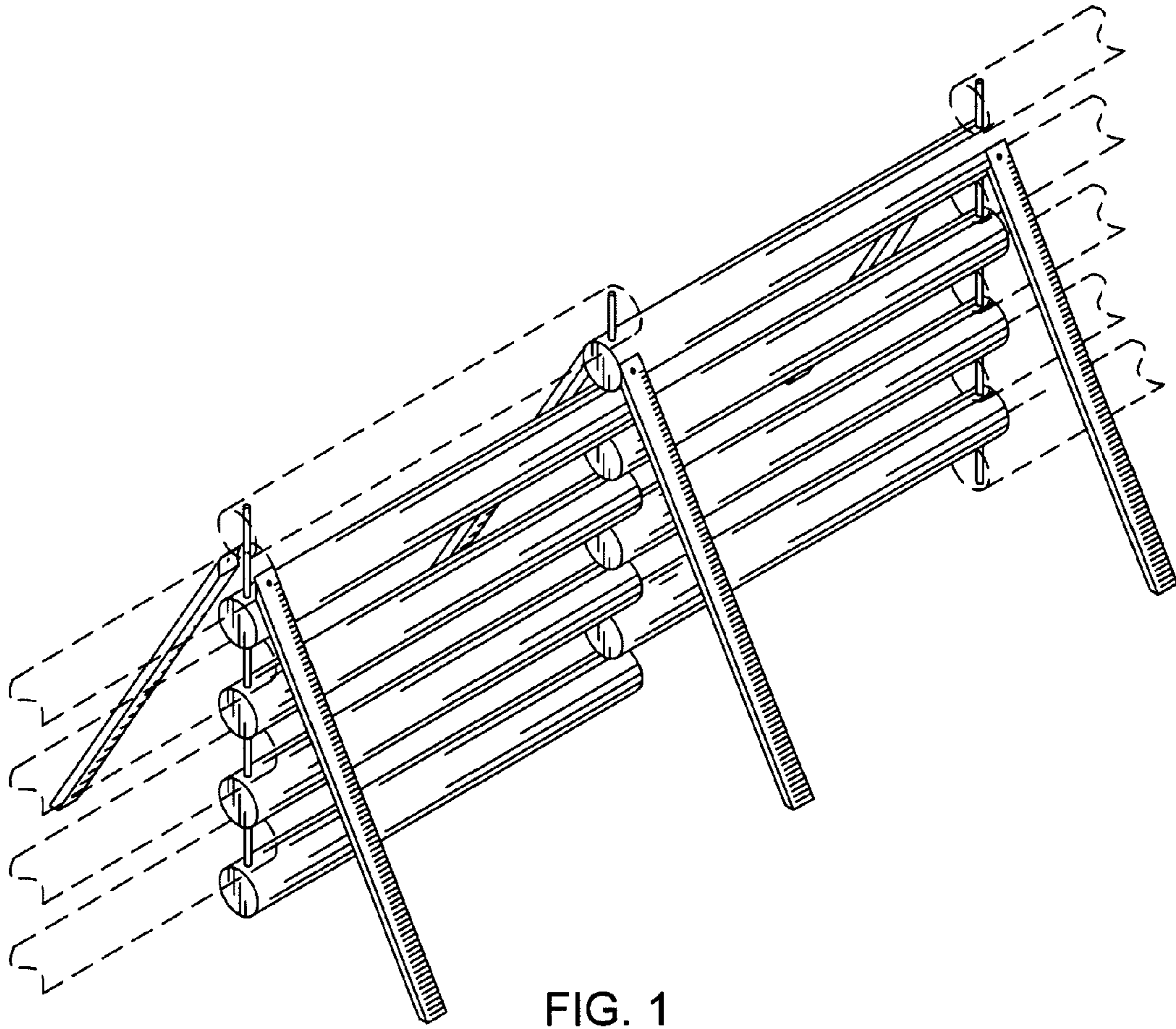


FIG. 1

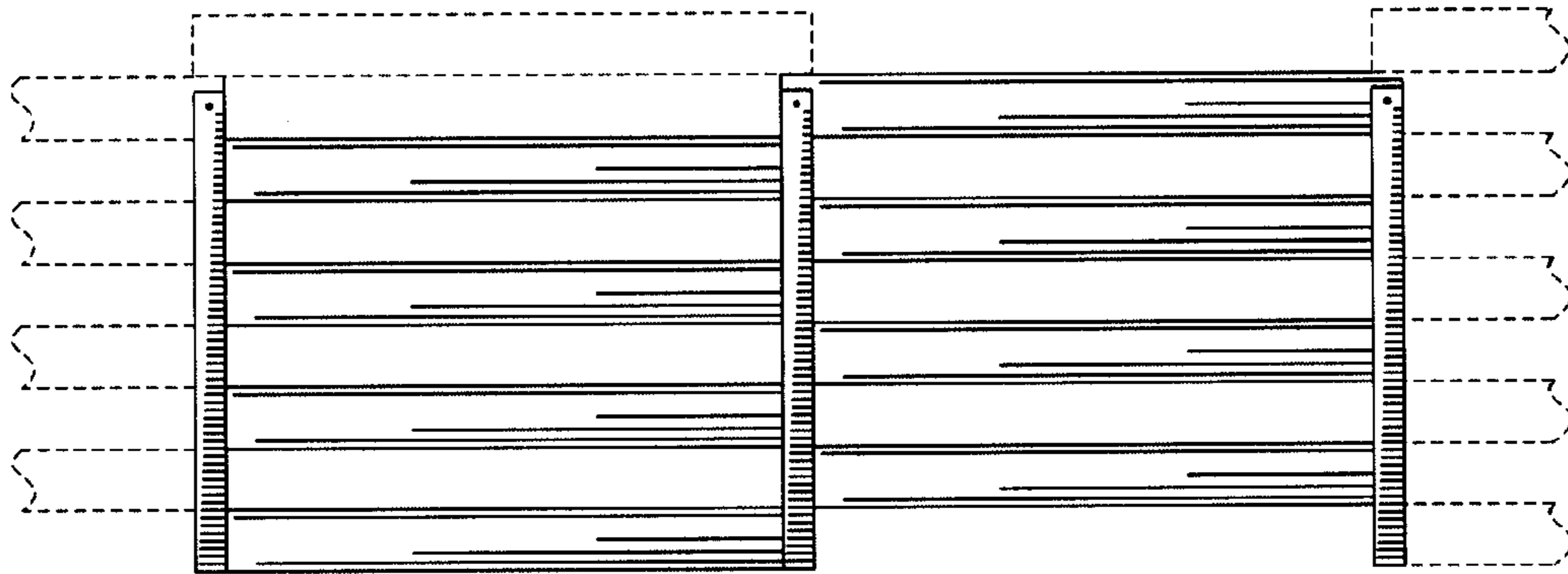


FIG. 3

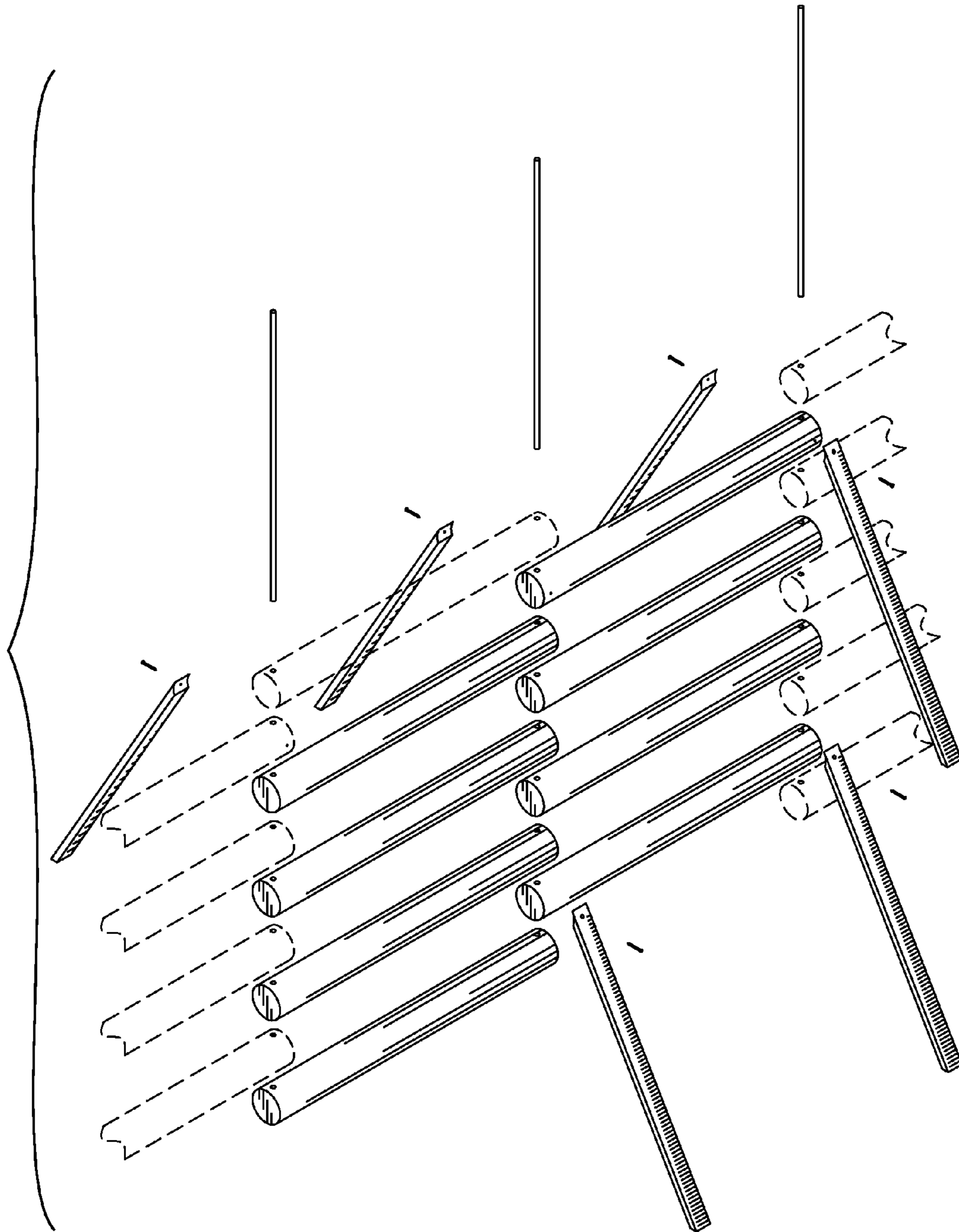


FIG. 2

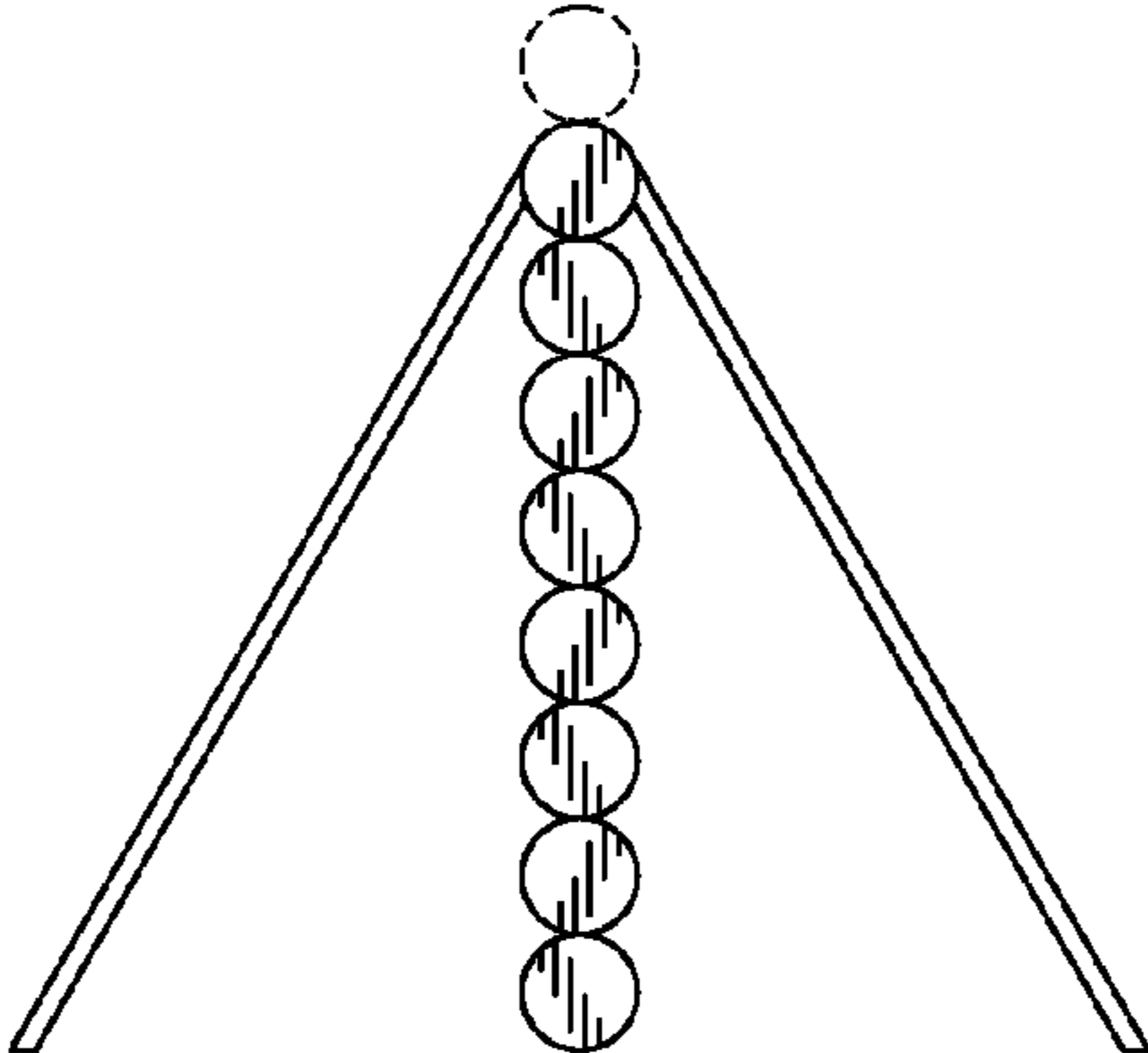


FIG. 4

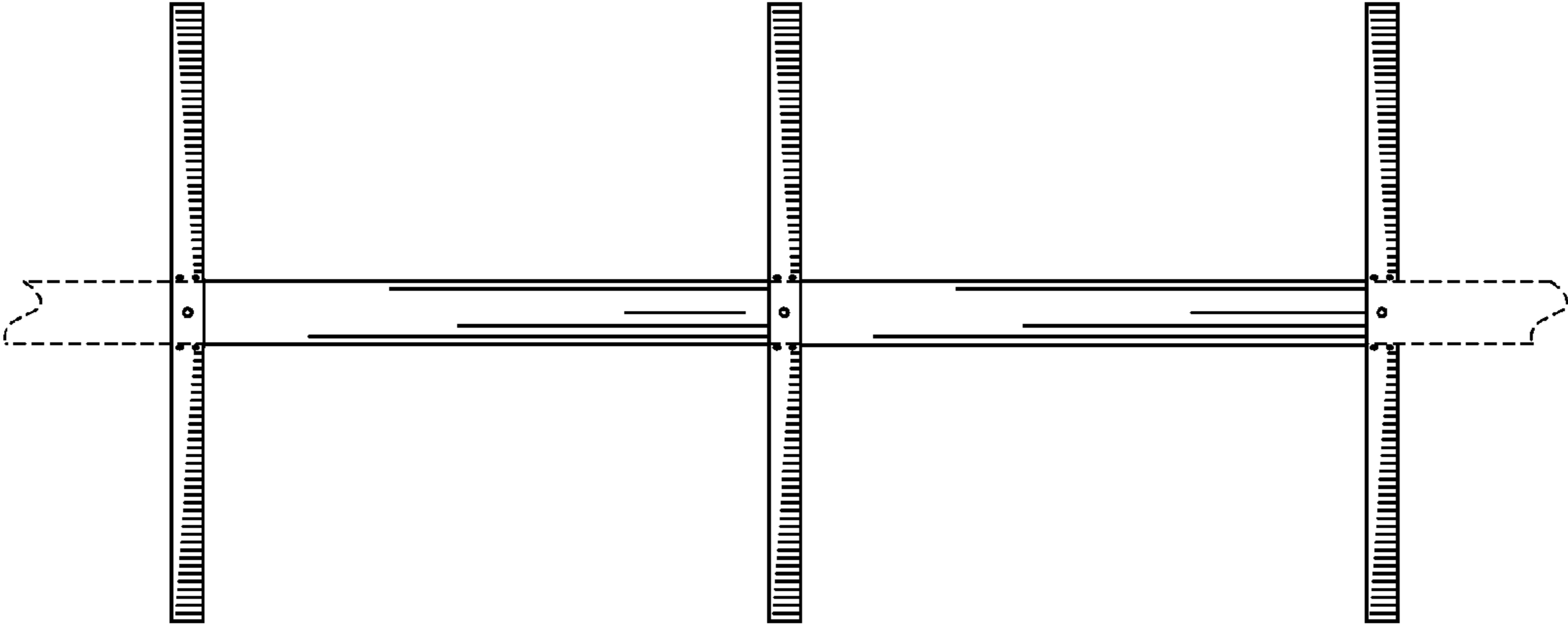


FIG. 5

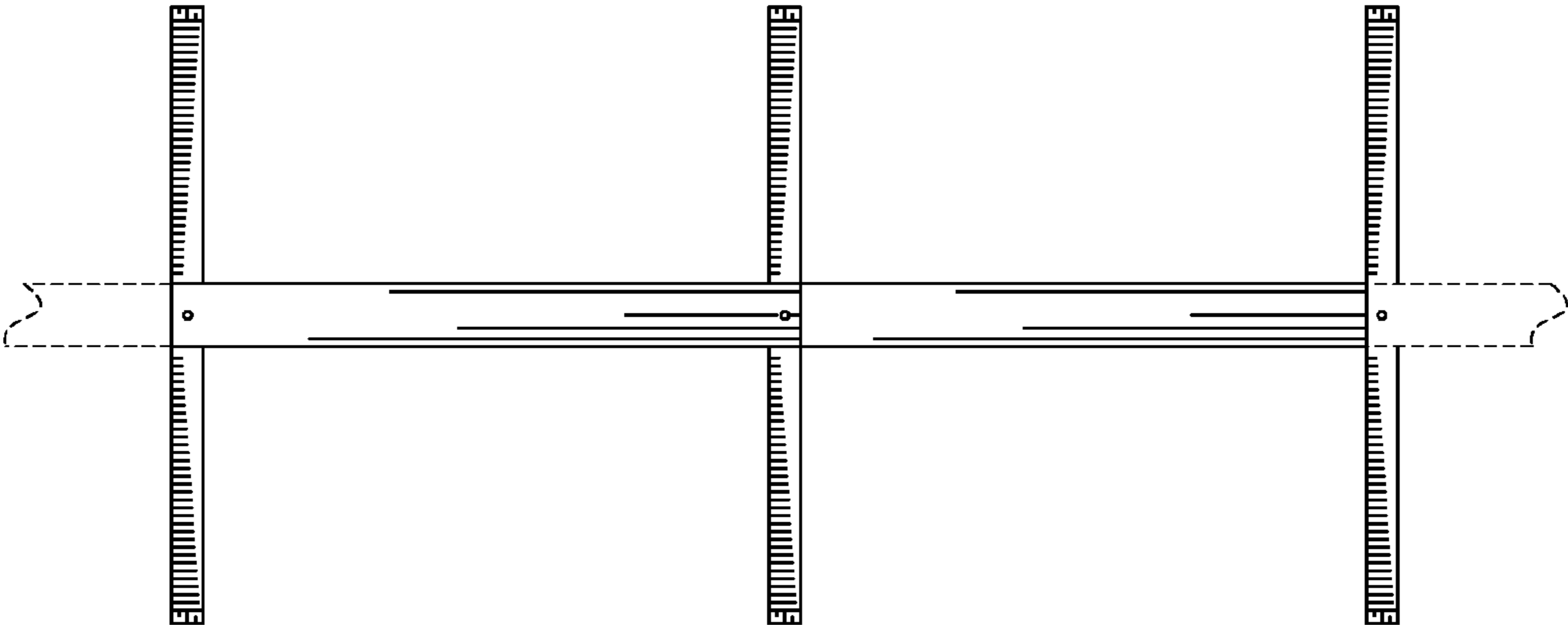


FIG. 6