



US00D641492S

(12) **United States Design Patent**  
**Franciskovich et al.**

(10) **Patent No.:** **US D641,492 S**  
(45) **Date of Patent:** **\*\* Jul. 12, 2011**

(54) **KNOCK-OUT DEVICE FOR RELEASING CHEMISTRY FROM A CHEMISTRY CONTAINER**

(75) Inventors: **Phillip P. Franciskovich**, Concord, OH (US); **Donald G. Rosenhamer**, Garfield Heights, OH (US); **Patricia A. Rawlick**, Painesville, OH (US)

(73) Assignee: **American Sterilizer Company**, Mentor, OH (US)

(\*\*) Term: **14 Years**

(21) Appl. No.: **29/358,726**

(22) Filed: **Mar. 31, 2010**

(51) **LOC (9) Cl.** ..... **24-01**

(52) **U.S. Cl.** ..... **D24/231**

(58) **Field of Classification Search** ..... D24/216-226, D24/227, 231, 232; D10/81; 422/500, 547, 422/549, 28, 40; 435/287.1, 288.1; D8/330, D8/354, 395; D6/512; 248/200, 205.1, 300, 248/306

See application file for complete search history.

(56) **References Cited**

**U.S. PATENT DOCUMENTS**

D192,005 S \* 1/1962 Haloski et al. .... D24/217  
3,076,627 A \* 2/1963 Huron ..... 248/300

D315,719 S \* 3/1991 Cusumano et al. .... D13/154  
D415,570 S \* 10/1999 Bradshaw et al. .... D24/224  
D481,303 S \* 10/2003 Fell et al. .... D8/395  
D571,640 S \* 6/2008 Misch ..... D8/354  
D608,631 S \* 1/2010 Preminger ..... D8/395  
D620,735 S \* 8/2010 Schmidt et al. .... D6/545  
7,871,565 B2 \* 1/2011 Jethrow et al. .... 422/28

\* cited by examiner

*Primary Examiner* — T. Chase Nelson

*Assistant Examiner* — Anhdao Doan

(74) *Attorney, Agent, or Firm* — Kusner & Jaffe; Michael A. Centanni

(57) **CLAIM**

The ornamental design for a knock-out device for releasing chemistry from a chemistry container, as shown and described.

**DESCRIPTION**

FIG. 1 is a perspective view of a knock-out device showing my new design;

FIG. 2 is a front view thereof;

FIG. 3 is a right-side view thereof, the left-side view being a mirror image thereof;

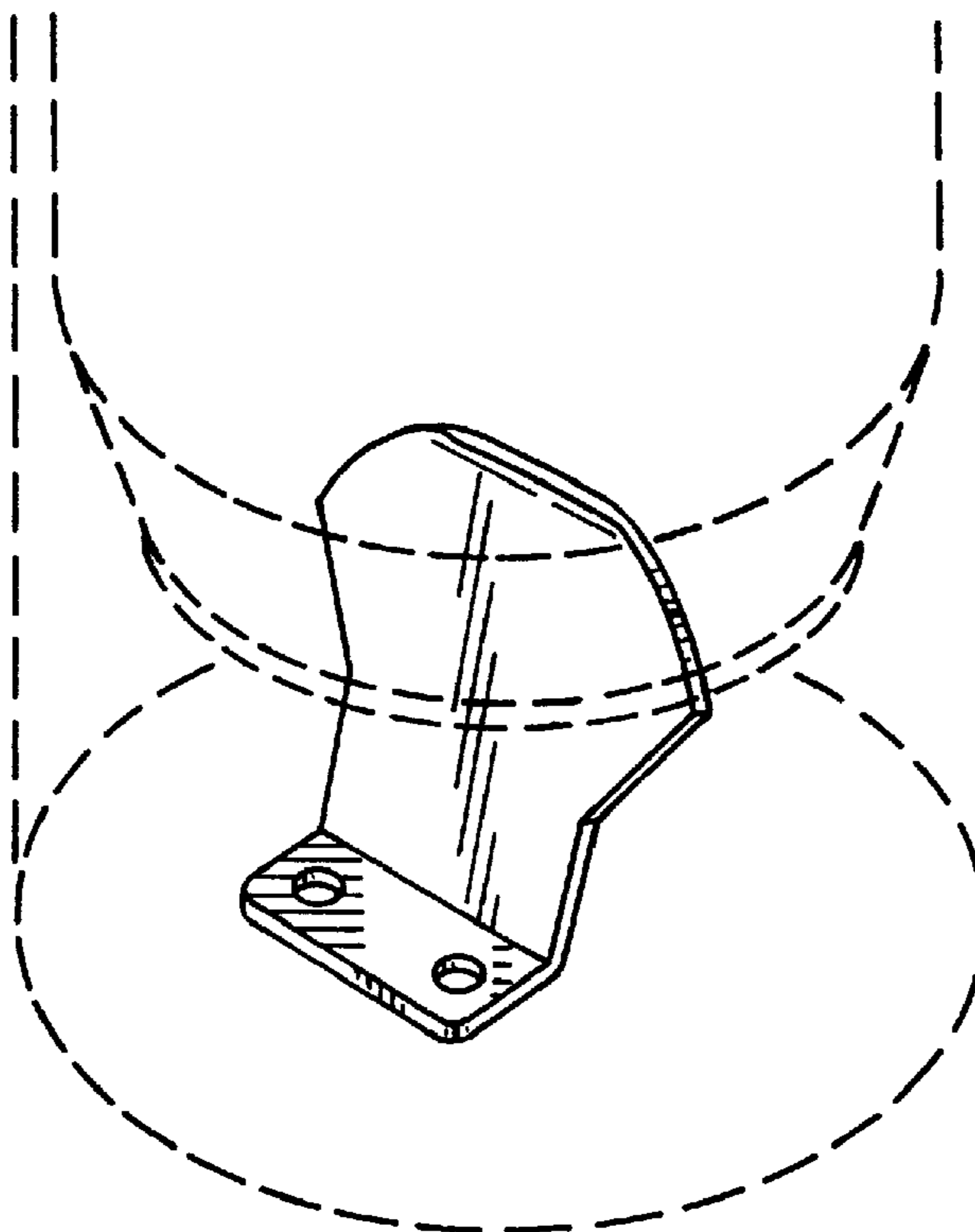
FIG. 4 is a back view thereof;

FIG. 5 is a top view thereof; and,

FIG. 6 is a bottom view thereof.

The broken line showing of the lower portions of a chemistry container and a well in FIGS. 1 and 2 represents environmental subject matters and forms no part of the claimed design.

**1 Claim, 2 Drawing Sheets**



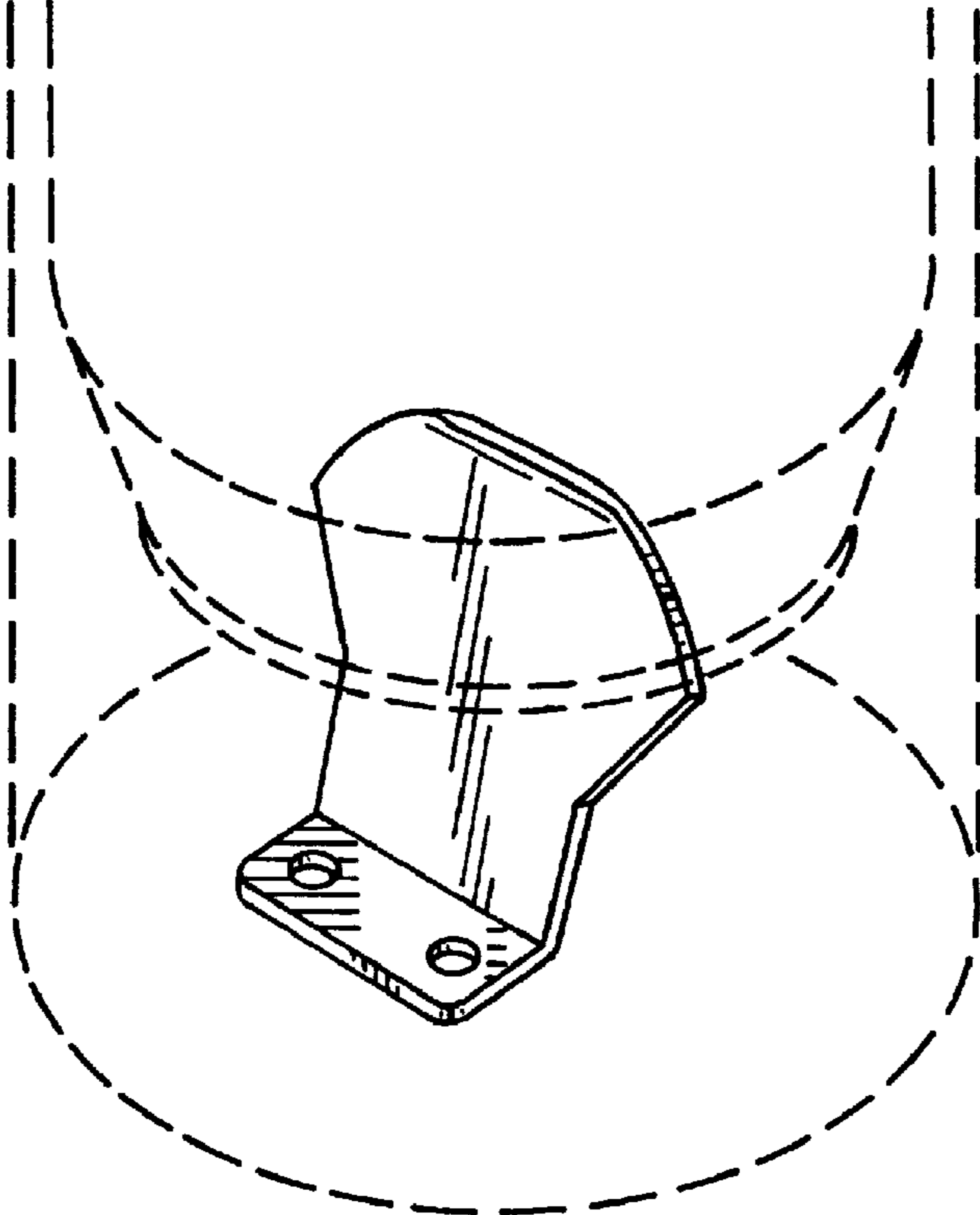


FIG. 1

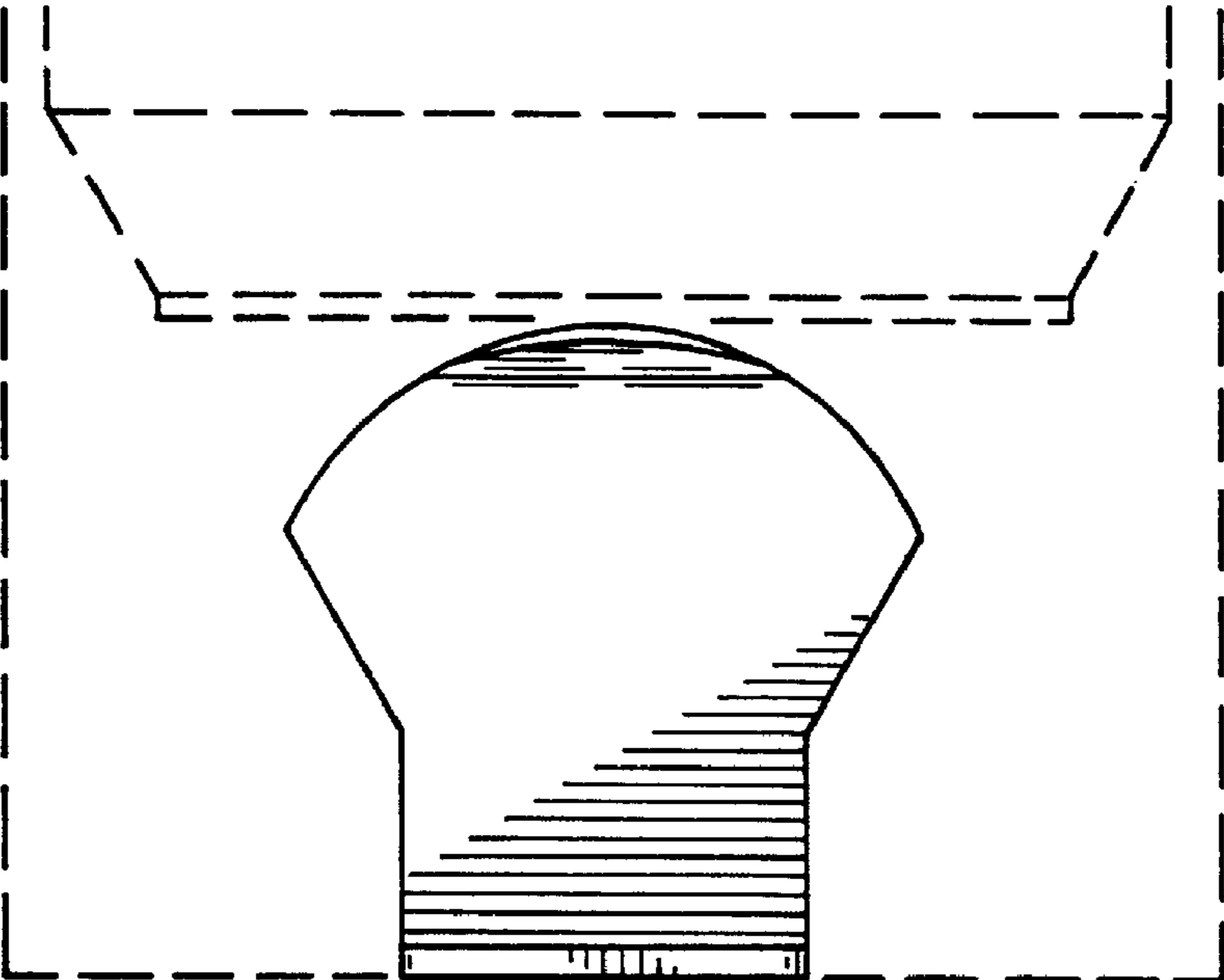


FIG. 2

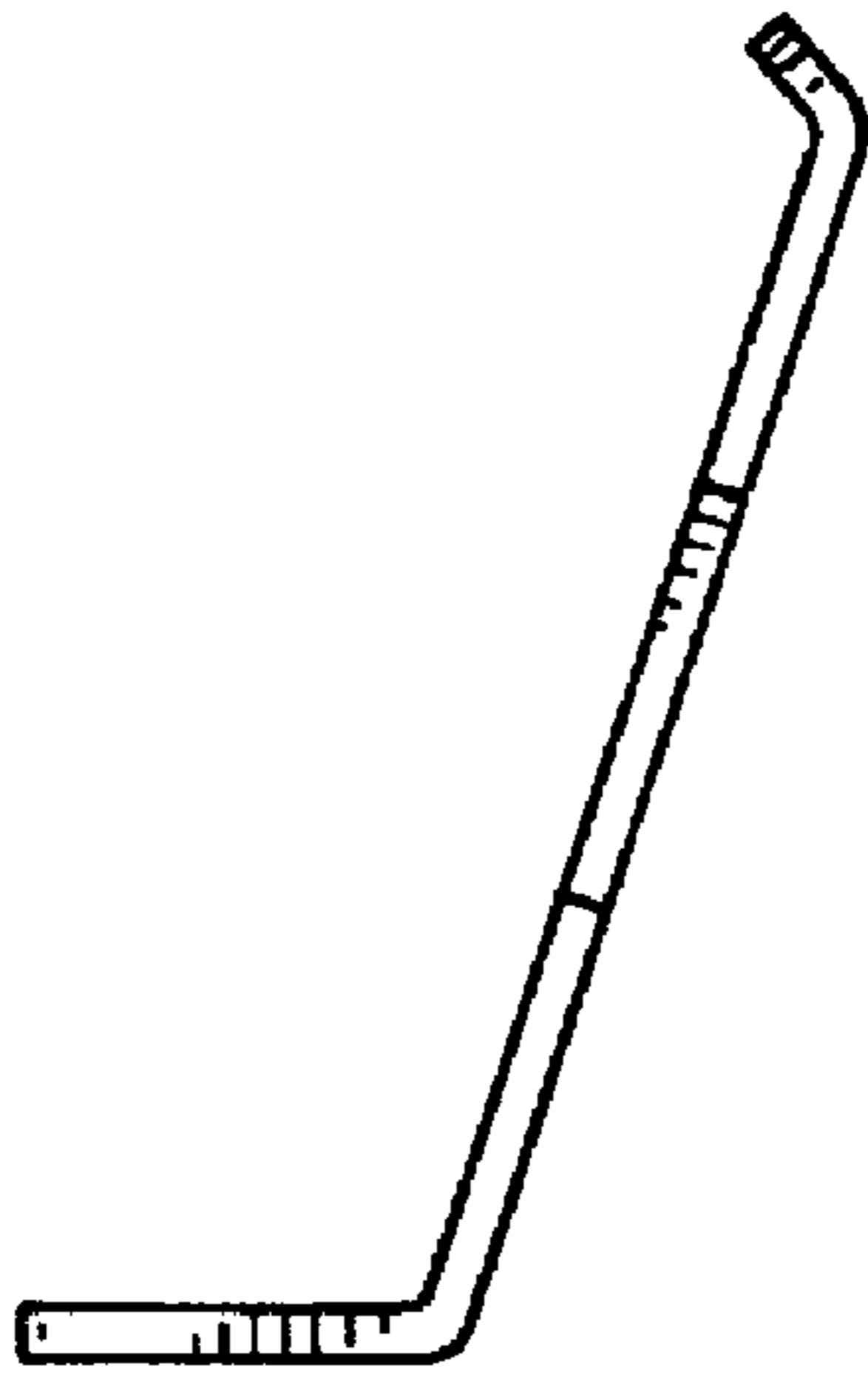


FIG. 3

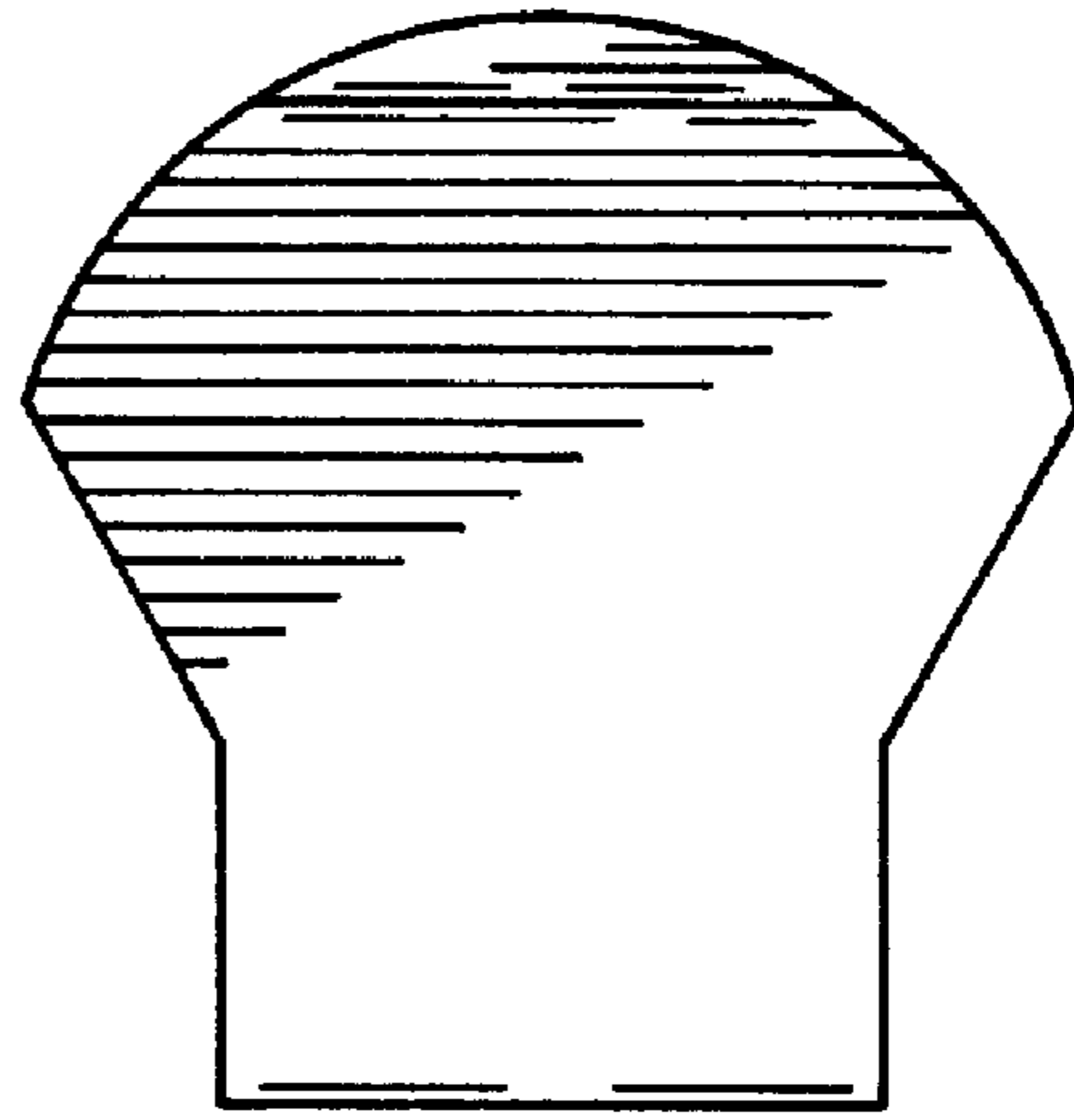


FIG. 4

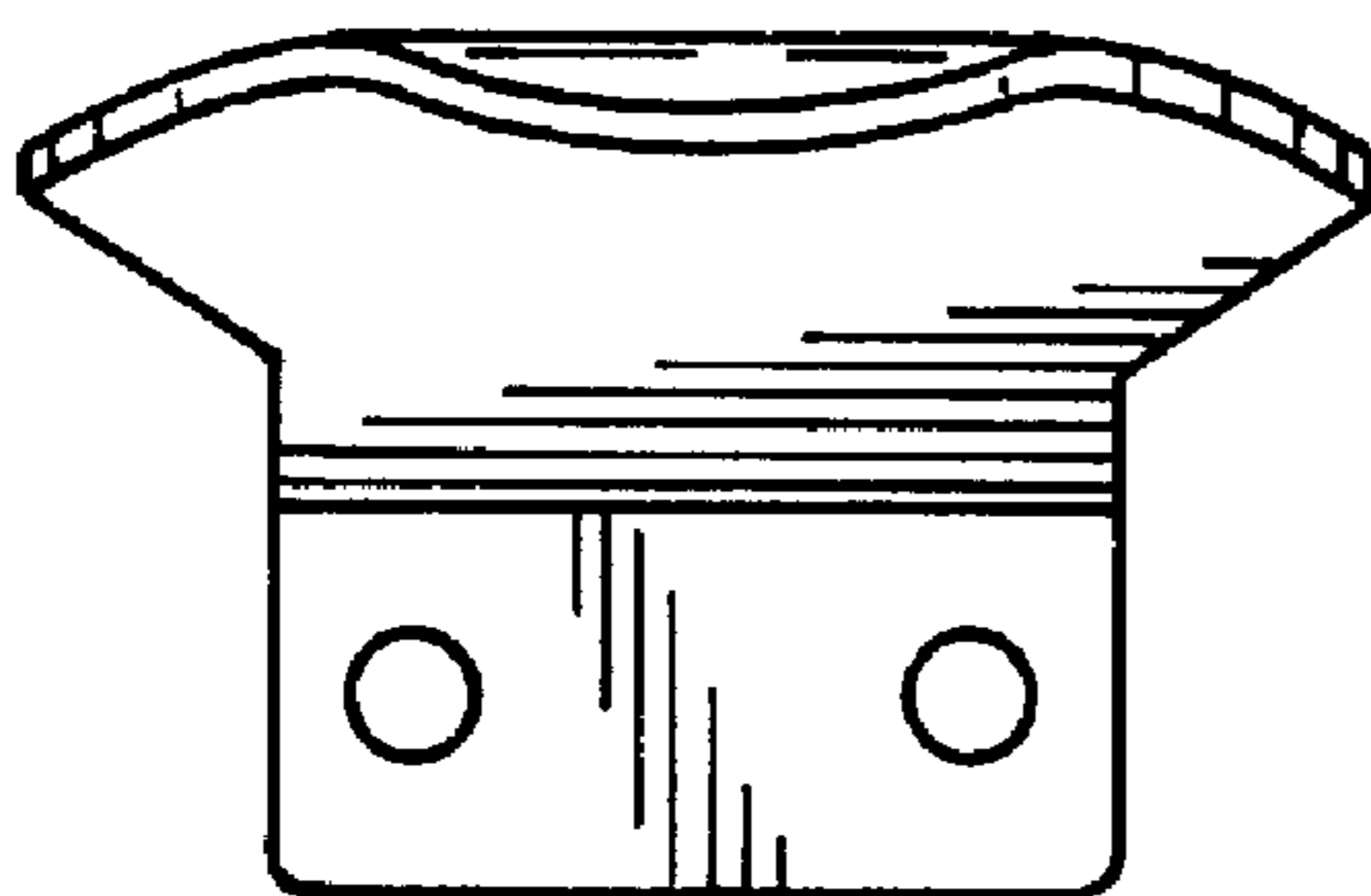


FIG. 5

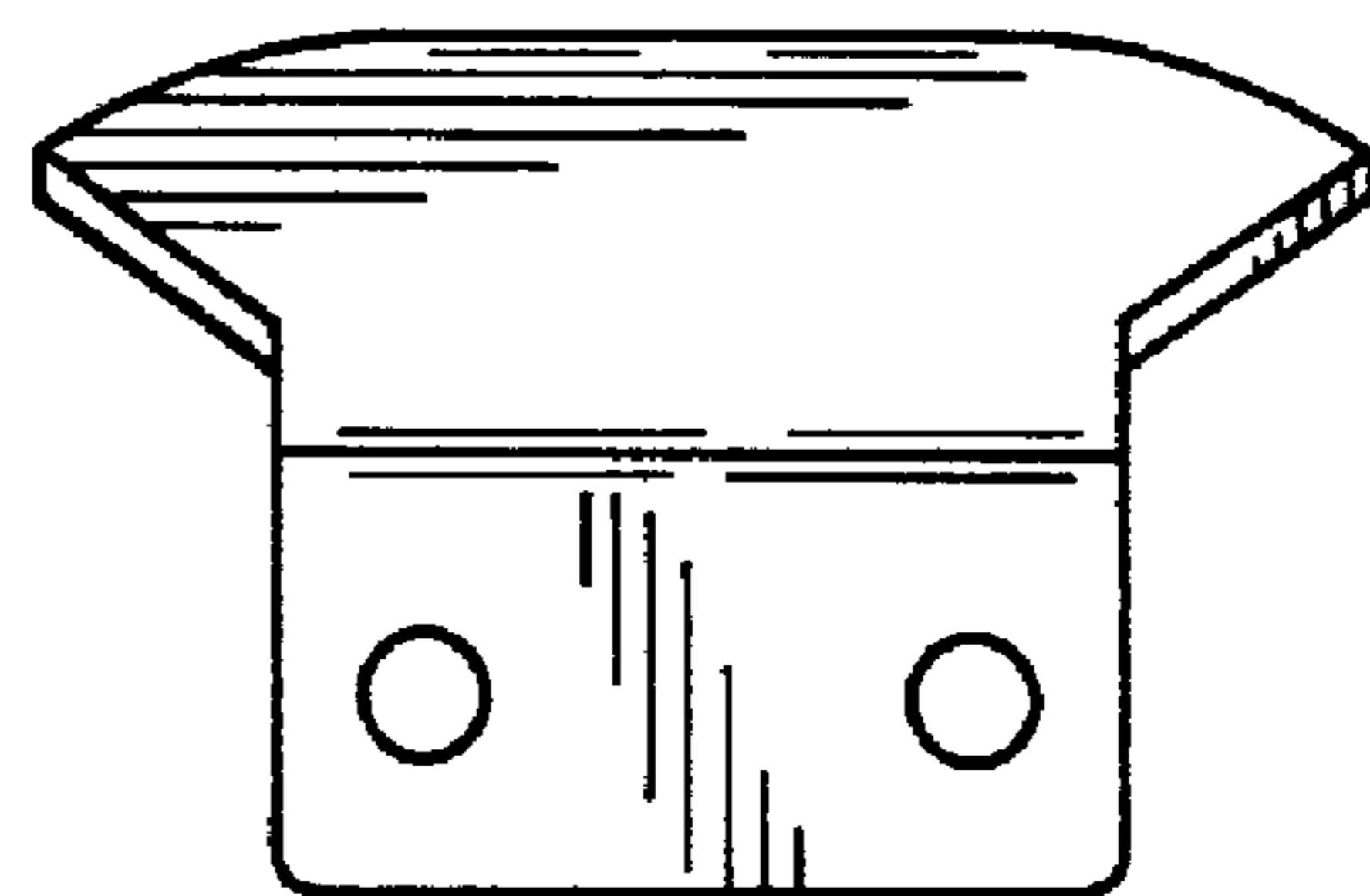


FIG. 6