



US00D641491S

(12) **United States Design Patent**  
**Bourne et al.**

(10) **Patent No.:** **US D641,491 S**  
(45) **Date of Patent:** **\*\* Jul. 12, 2011**

(54) **CONTAINER**

(75) Inventors: **Gyasi Bourne**, Vancouver (CA); **Paul Charlebois**, Victoria (CA)

(73) Assignee: **LightIntegra Technology Inc.**, Vancouver, B.C. (CA)

(\*\*) Term: **14 Years**

(21) Appl. No.: **29/380,234**

(22) Filed: **Dec. 2, 2010**

(51) **LOC (9) Cl.** ..... **24-01**

(52) **U.S. Cl.** ..... **D24/216**

(58) **Field of Classification Search** ..... D24/216-232,  
D24/130, 169; D10/81; 422/500, 547, 549,  
422/556, 557, 558; 435/287.1, 288.1  
See application file for complete search history.

(56) **References Cited**

U.S. PATENT DOCUMENTS

D235,890 S *	7/1975	Dragotta	.....	D24/224
D299,954 S *	2/1989	Baxter	.....	D24/224
D327,950 S *	7/1992	James	.....	D24/224
5,384,096 A *	1/1995	Burns	.....	422/549
D387,176 S *	12/1997	Spring	.....	D24/224

D389,586 S *	1/1998	Brennan	.....	D24/224
D427,691 S *	7/2000	Asselta	.....	D24/224
D447,812 S *	9/2001	Conway	.....	D24/224
D482,794 S *	11/2003	Whitley	.....	D24/224
D553,254 S *	10/2007	Colin et al.	.....	D24/224
D619,728 S *	7/2010	Bare et al.	.....	D24/224

\* cited by examiner

*Primary Examiner* — Anhdao Doan

(74) *Attorney, Agent, or Firm* — Hancock Hughey LLP

(57) **CLAIM**

We claim the ornamental design for a container, as shown and described.

**DESCRIPTION**

FIG. 1 is an upper perspective view of a container illustrating our new design;

FIG. 2 a top plan view thereof;

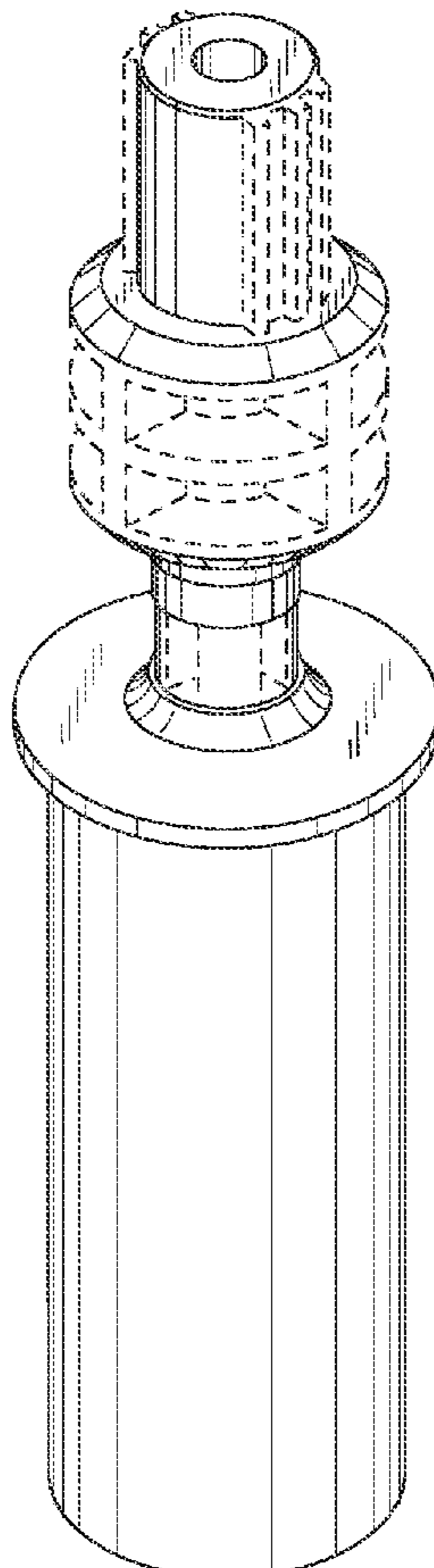
FIG. 3 is a front elevation view thereof, the rear elevation view being a mirror image thereof;

FIG. 4 is a left side elevation view, the right side elevation view being a mirror image thereof; and,

FIG. 5 is a bottom plan view thereof.

The broken lines in the drawing views are included for the purpose of illustrating portions of the container that form no part of the claimed design.

**1 Claim, 1 Drawing Sheet**



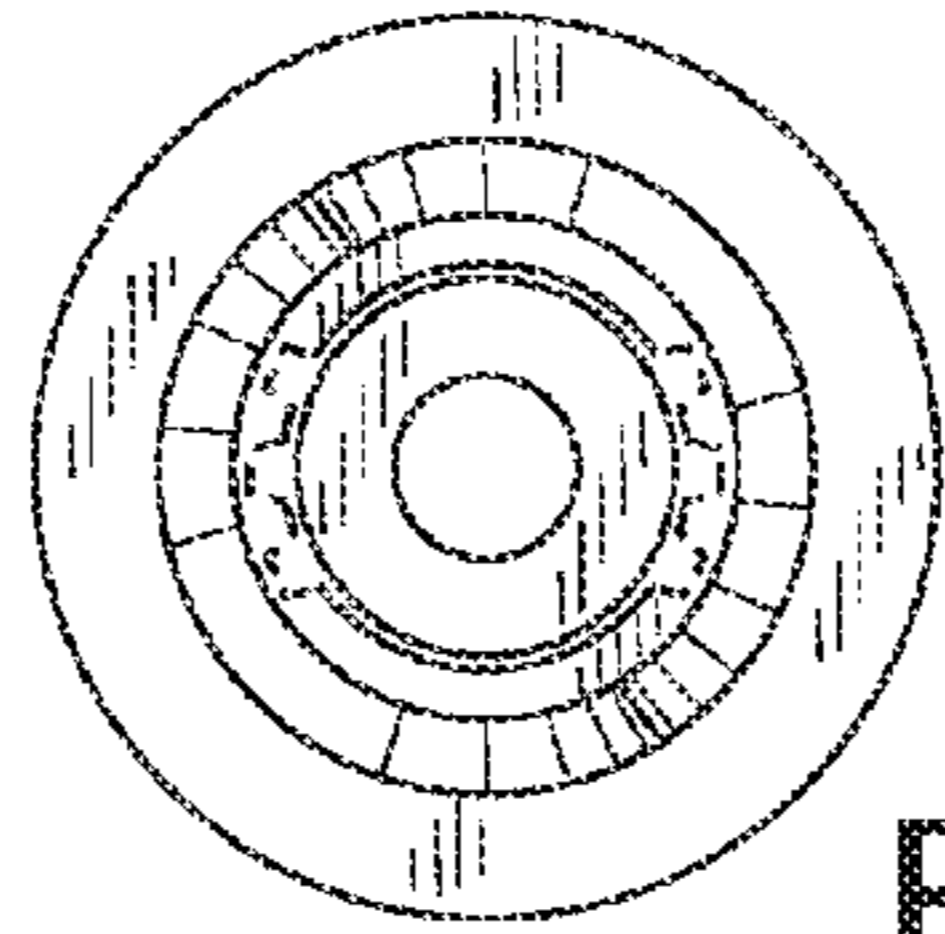


FIG. 2

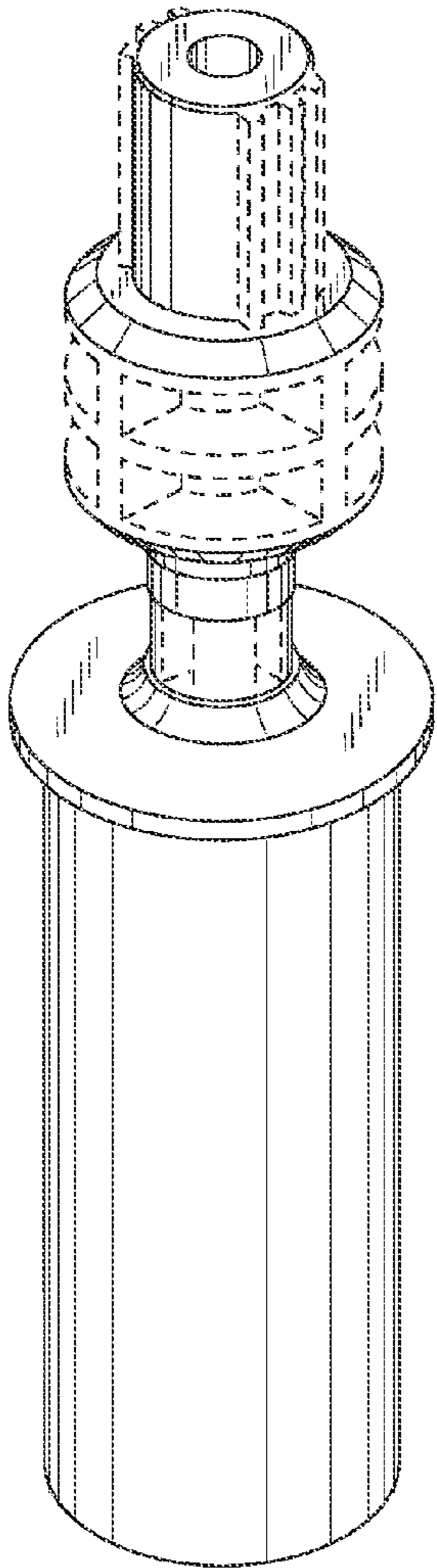


FIG. 1

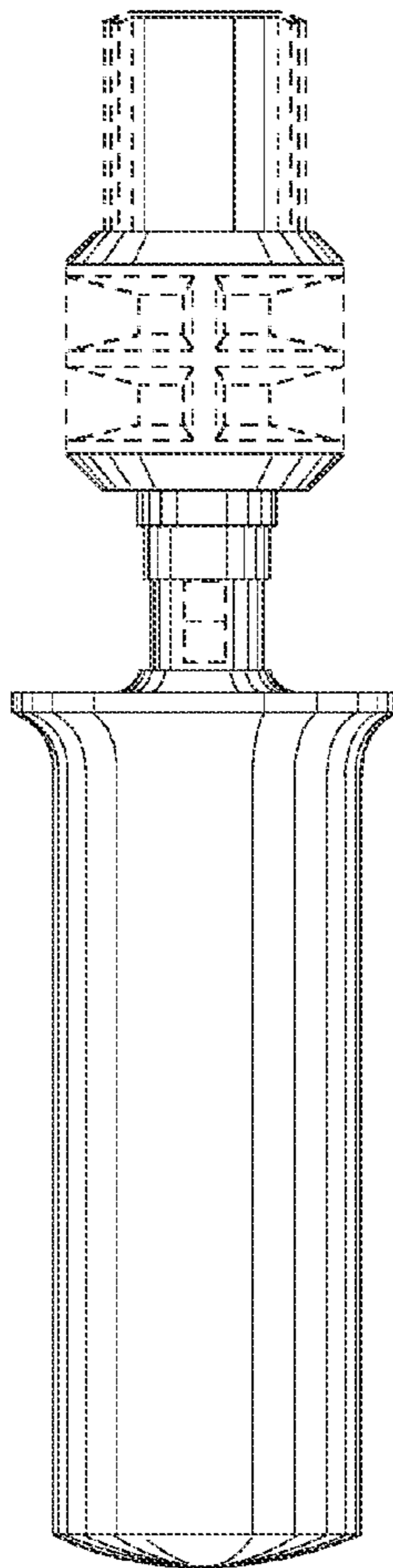


FIG. 3

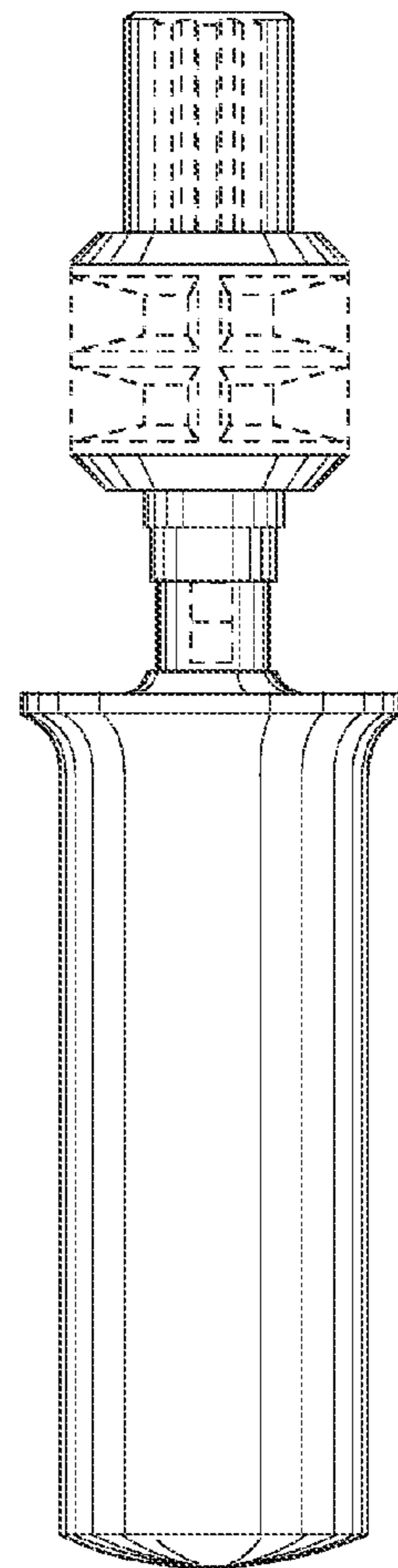


FIG. 4

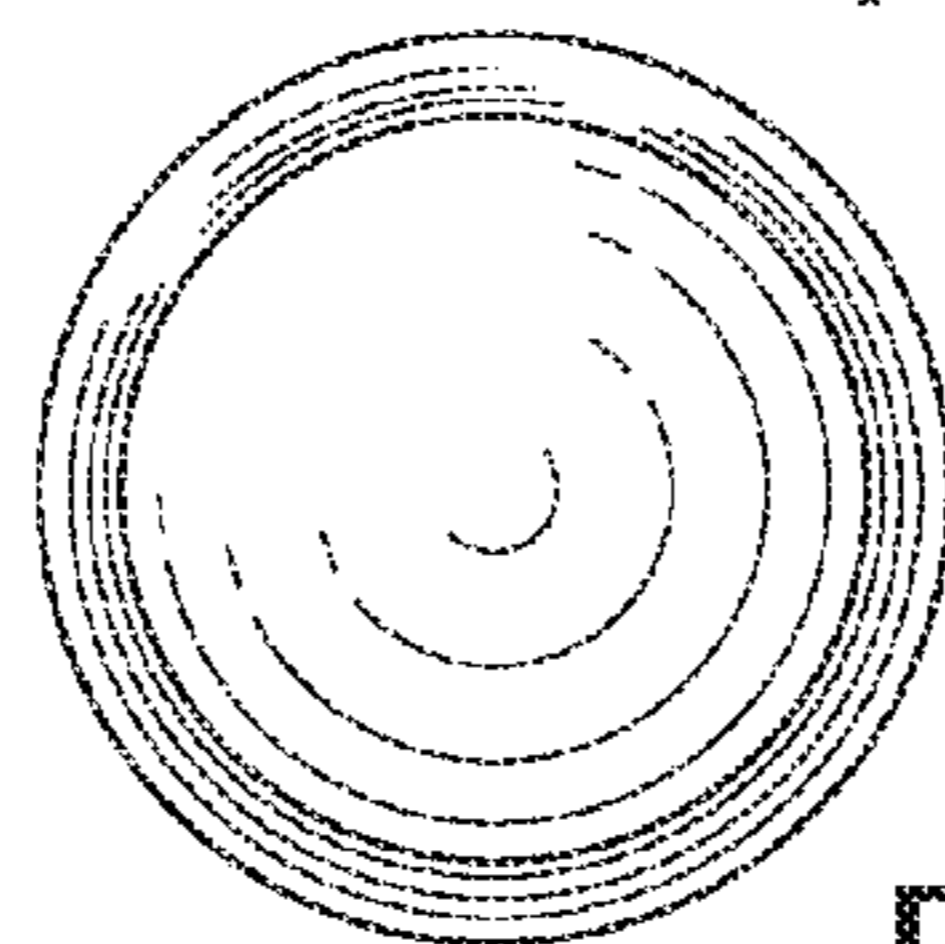


FIG. 5