



US00D641490S

(12) **United States Design Patent**  
**Fernie et al.**

(10) **Patent No.:** **US D641,490 S**  
(45) **Date of Patent:** **\*\* Jul. 12, 2011**

(54) **LIGHT THERAPY APPARATUS**  
(75) Inventors: **Douglas Fernie**, Cambridge (GB); **Paul John Robbins**, Norwich (GB); **Nicholas Ian Harvey**, Norwich (GB)  
(73) Assignee: **Outside In (Cambridge) Ltd.**,  
Cambridgeshire (GB)

D435,912 S \* 1/2001 Muller ..... D24/210  
D442,286 S \* 5/2001 Dumas ..... D24/210  
D510,627 S \* 10/2005 Lomberg et al. .... D24/209  
D517,699 S \* 3/2006 Lansohn ..... D24/210  
D526,734 S \* 8/2006 Brown ..... D26/39  
D598,148 S \* 8/2009 Leslie et al. .... D26/37  
D611,160 S \* 3/2010 Fernie et al. .... D24/209

\* cited by examiner

(\*\*) Term: **14 Years**

*Primary Examiner* — David Muller

(21) Appl. No.: **29/357,418**

(74) *Attorney, Agent, or Firm* — Knobbe, Martens, Olson,  
and Bear, LLP

(22) Filed: **Mar. 11, 2010**

(57) **CLAIM**

(30) **Foreign Application Priority Data**

The ornamental design for a light therapy apparatus, as shown  
and described.

Sep. 14, 2009 (EM) ..... 001164222-0001

**DESCRIPTION**

(51) **LOC (9) Cl.** ..... **28-03**

(52) **U.S. Cl.** ..... **D24/210**

(58) **Field of Classification Search** ..... D24/210,  
D24/209, 200, 158; 362/555, 545, 800, 294,  
362/249, 267; D26/29, 37, 39, 41, 104; 606/2-4;  
607/88-95

FIG. 1 is a front elevation view of a light therapy apparatus.  
FIG. 2 is a rear elevation view of the light therapy apparatus  
of FIG. 1.

FIG. 3 is a top plan view of the light therapy apparatus of FIG.  
1.

FIG. 4 is a bottom plan view of the light therapy apparatus of  
FIG. 1.

FIG. 5 is a left side elevation view of the light therapy appa-  
ratus of FIG. 1.

FIG. 6 is a front, top, and right side perspective view of the  
light therapy apparatus of FIG. 1; and,

FIG. 7 is a front, bottom, and right side perspective view of the  
light therapy apparatus of FIG. 1.

The broken lines depict portions of the light therapy apparatus  
that form no part of the claimed design.

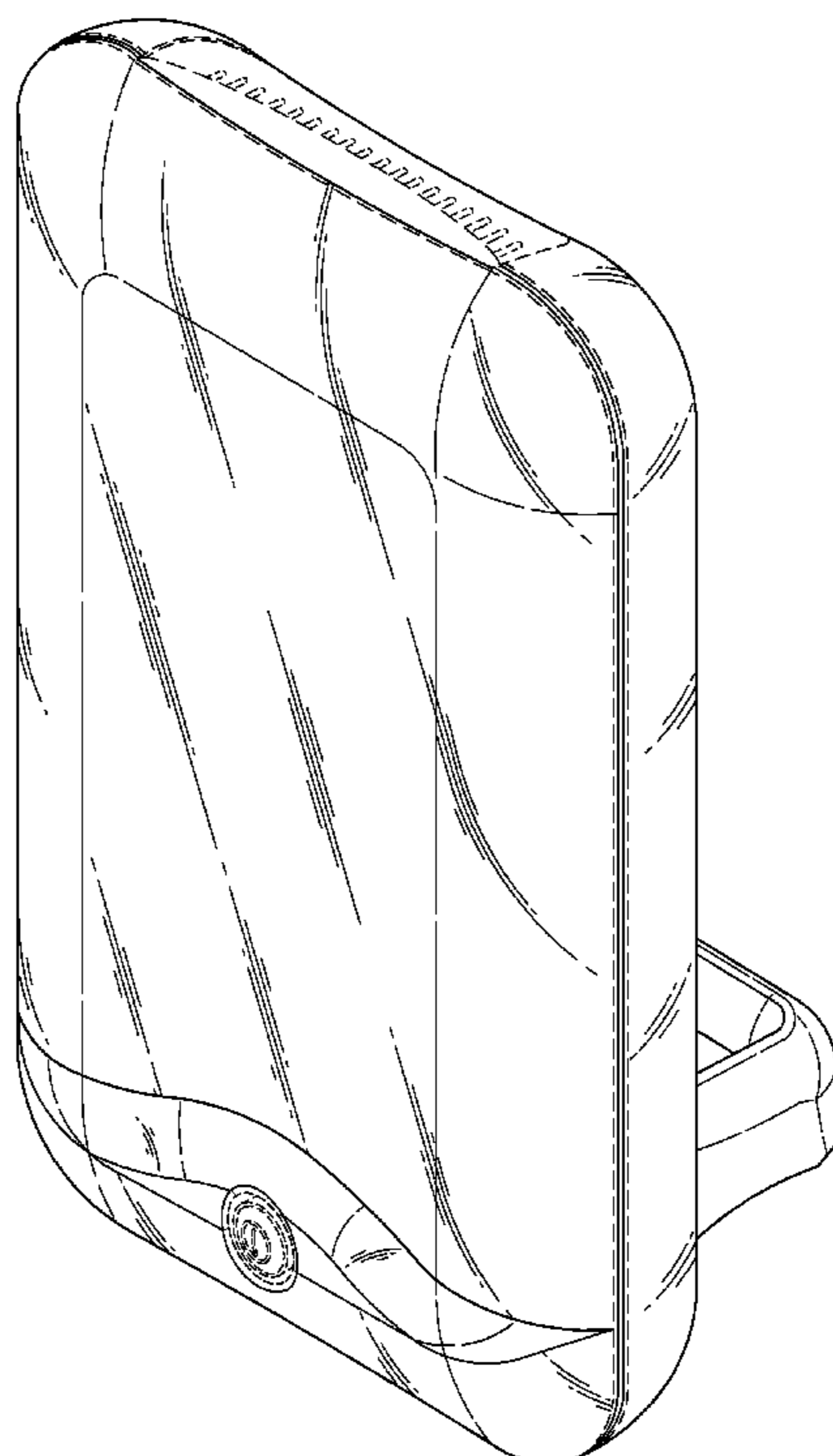
See application file for complete search history.

(56) **References Cited**

**U.S. PATENT DOCUMENTS**

1,315,457 A \* 9/1919 Benedict ..... D26/37  
D135,153 S \* 3/1943 Gensburg ..... D26/37  
D361,633 S \* 8/1995 Chabria ..... D26/37  
D363,992 S \* 11/1995 Vos ..... D24/210  
D396,120 S \* 7/1998 Petruzzi ..... D26/37  
D404,152 S \* 1/1999 Lynch et al. .... D26/37

**1 Claim, 7 Drawing Sheets**



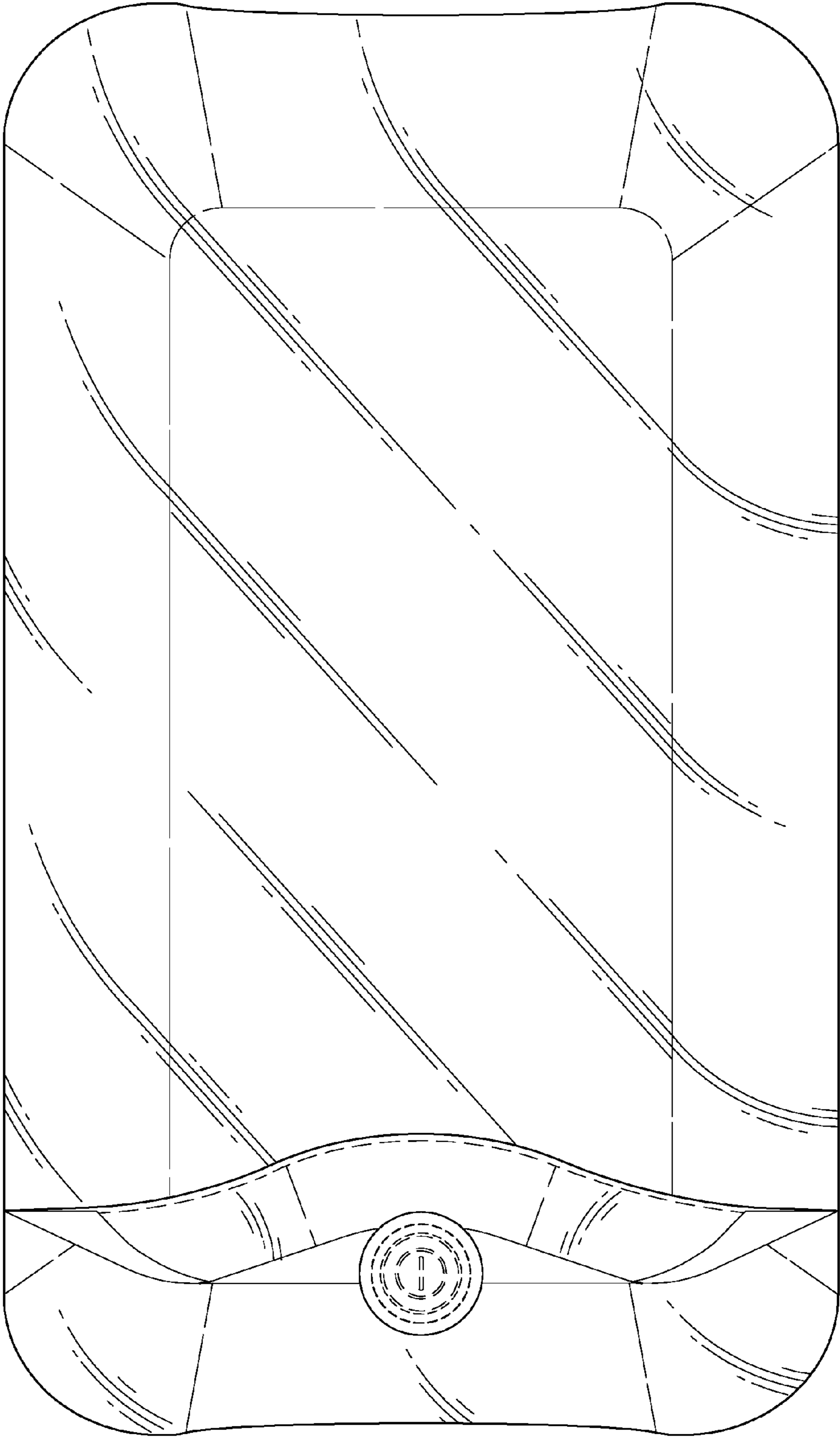


Fig.1

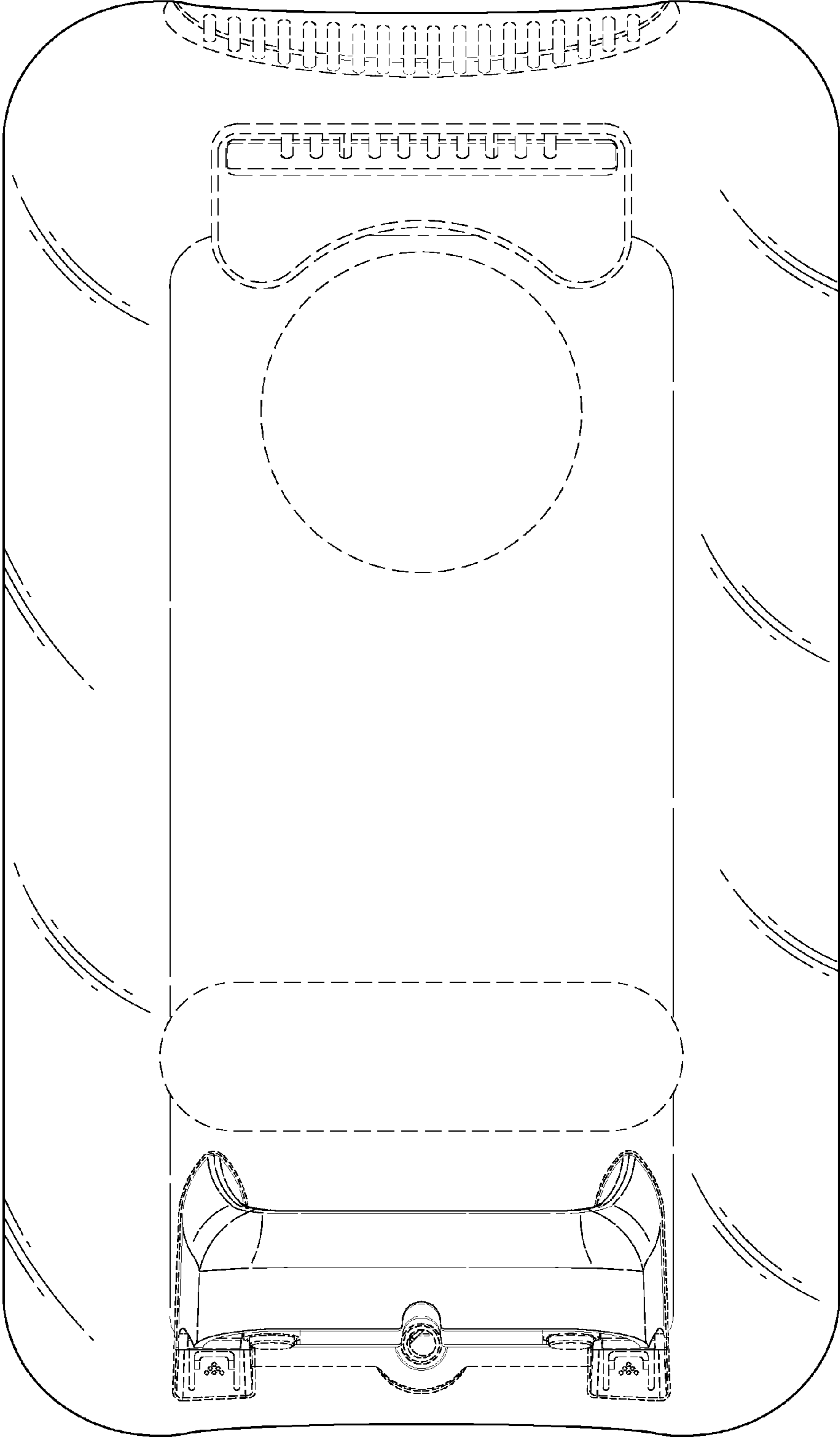


Fig.2

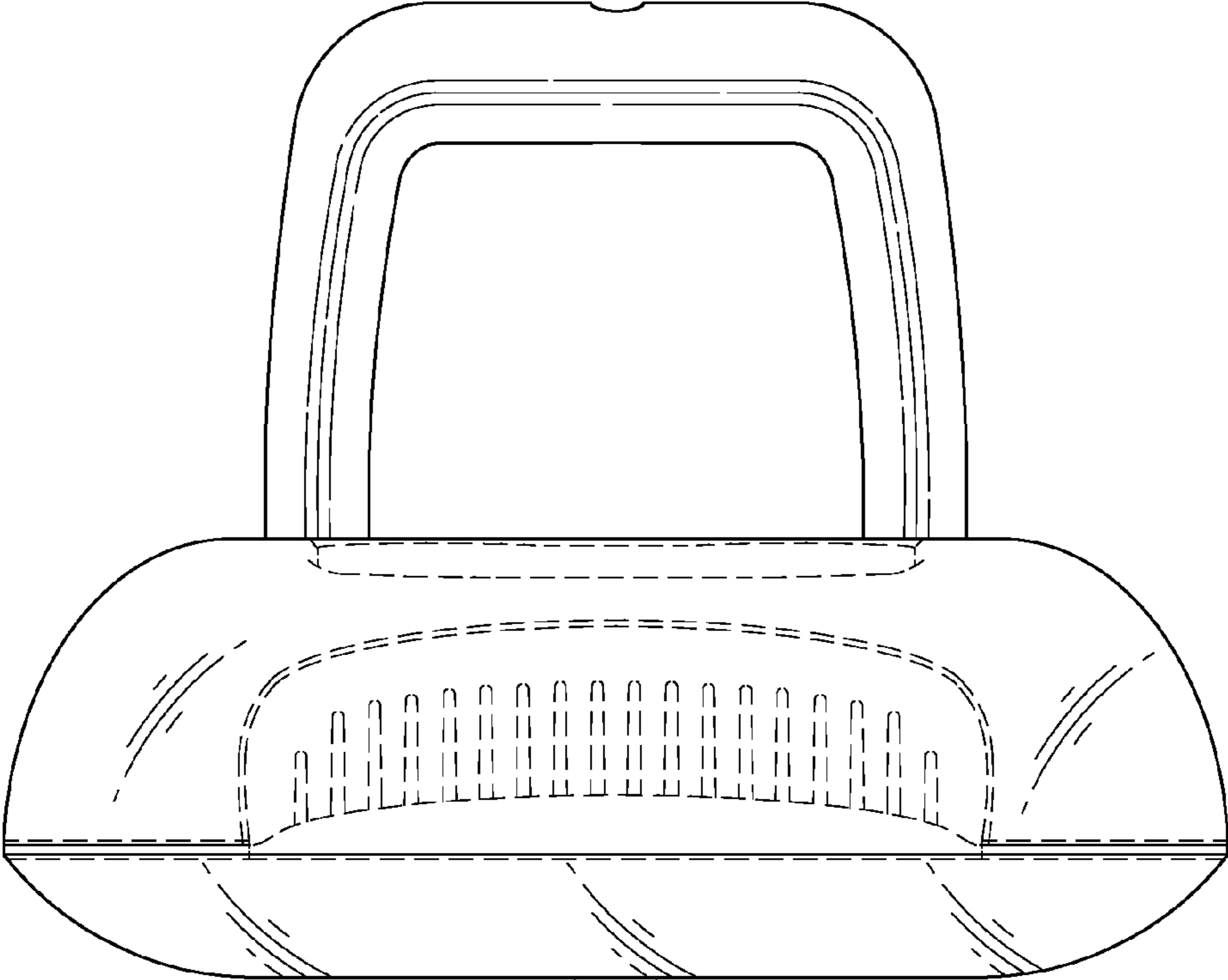


Fig.3

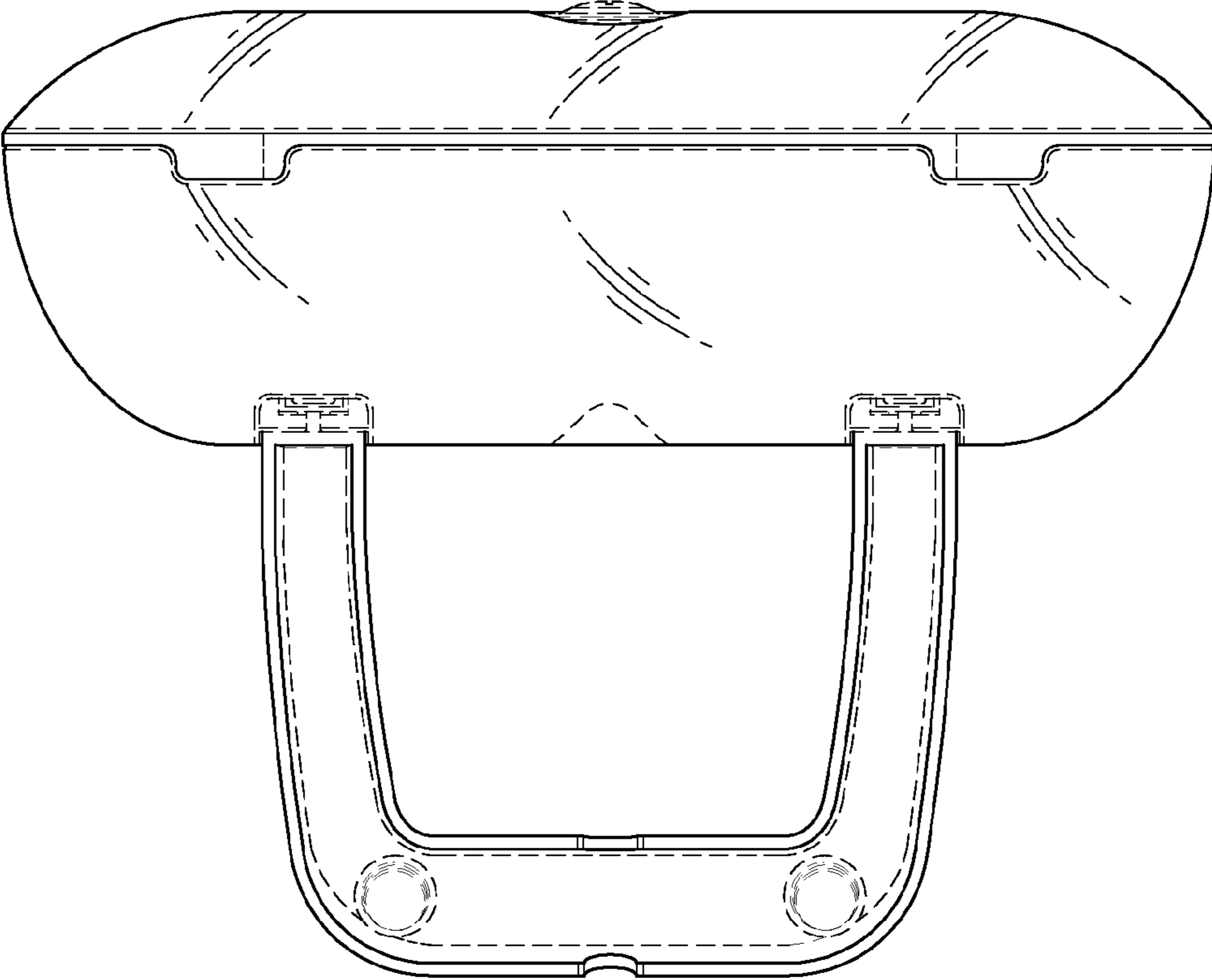


Fig.4

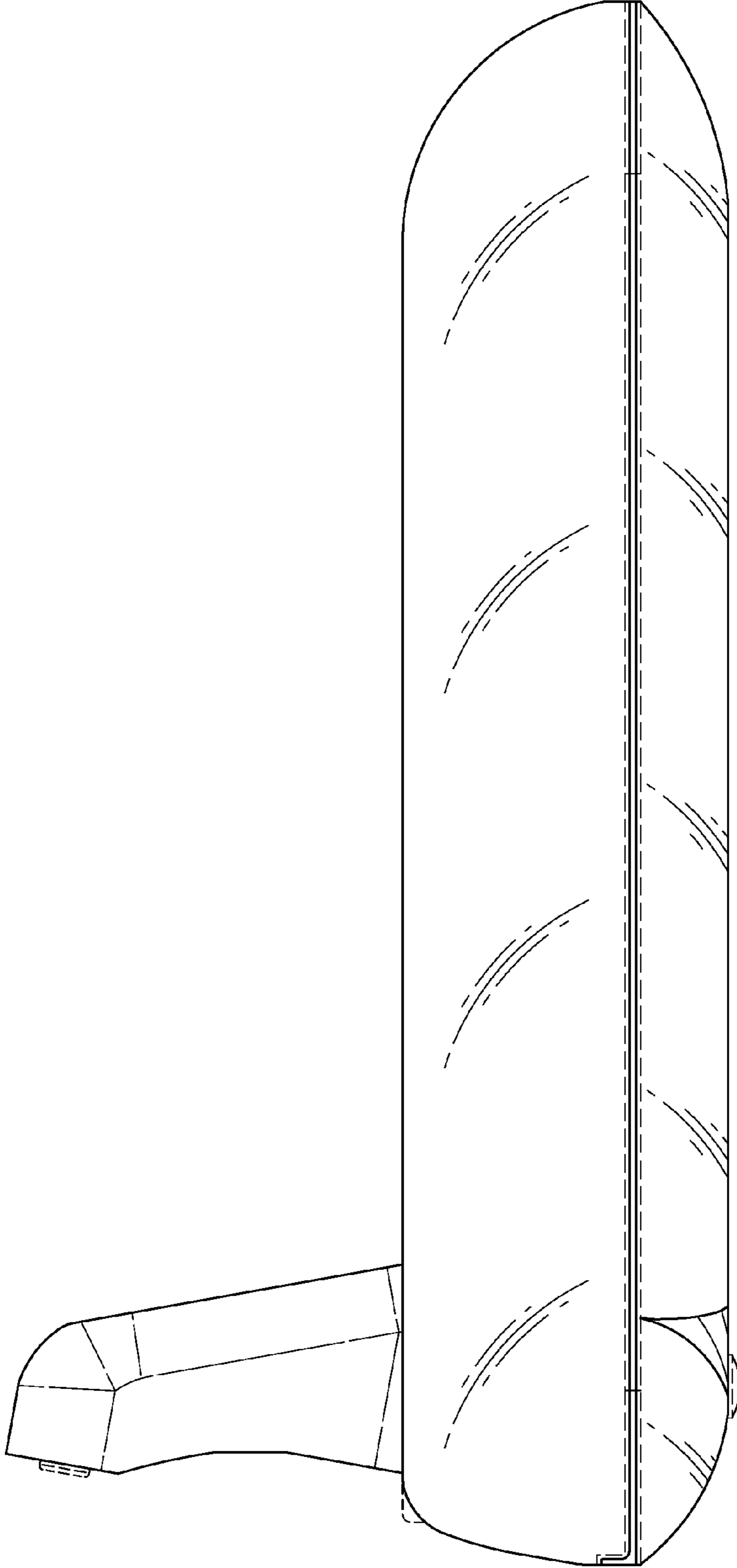


Fig.5

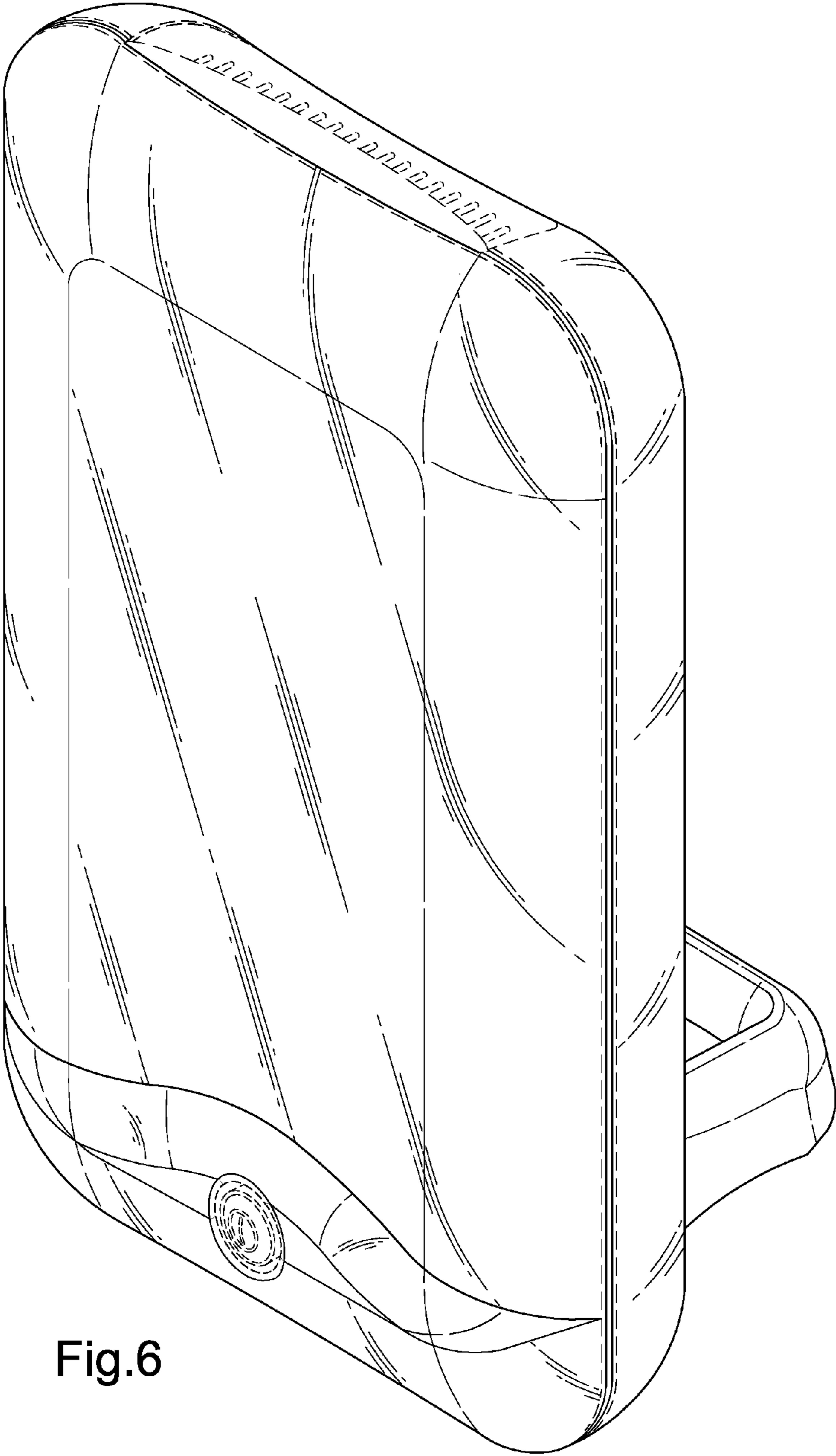


Fig.6

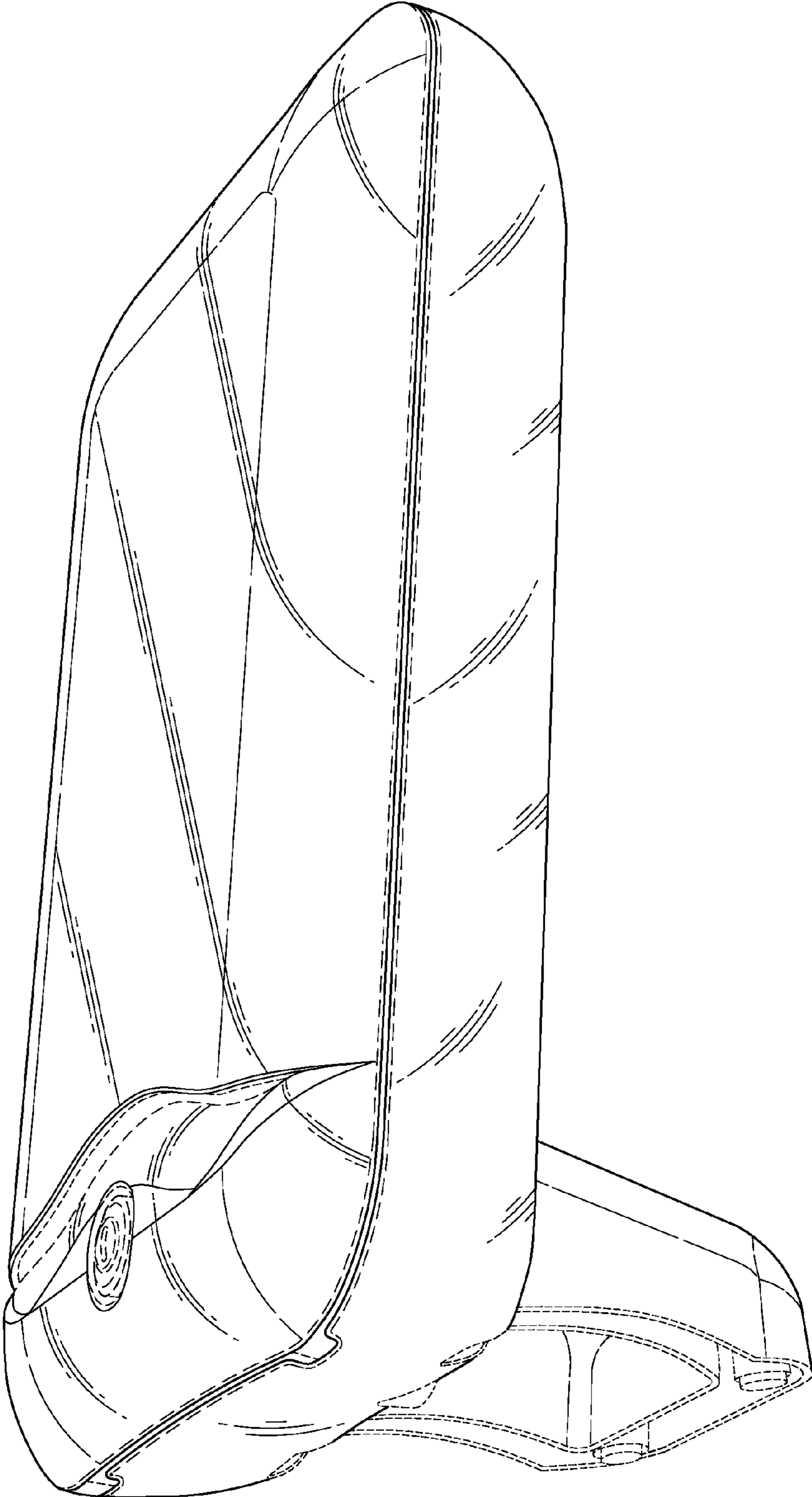


Fig.7