



US00D641485S

(12) **United States Design Patent**
Mai

(10) **Patent No.:** **US D641,485 S**

(45) **Date of Patent:** **** Jul. 12, 2011**

(54) **PEDICURE SPA**

(76) Inventor: **Theresa Mai**, Sugar Land, TX (US)

(**) Term: **14 Years**

(21) Appl. No.: **29/327,395**

(22) Filed: **Nov. 5, 2008**

(51) **LOC (9) Cl.** **24-02**

(52) **U.S. Cl.** **D24/204**

(58) **Field of Classification Search** D24/200–205,
D24/212–213; D28/56, 61; D6/336, 495;
4/622, 574.1

See application file for complete search history.

(56) **References Cited**

U.S. PATENT DOCUMENTS

D457,018 S	5/2002	Park	
6,503,212 B2 *	1/2003	Park	601/158
D560,310 S *	1/2008	Le	D28/56
D561,903 S	2/2008	Ton	
D564,099 S *	3/2008	Ton	D24/204
D571,018 S	6/2008	Ton et al.	
D571,961 S	6/2008	Nguyen	
D574,502 S	8/2008	Ton	
D592,312 S *	5/2009	Cheng	D24/204
D608,898 S *	1/2010	Ton	D24/204
D616,561 S *	5/2010	Ton	D24/204
2004/0060108 A1 *	4/2004	Hoon Park	4/622

OTHER PUBLICATIONS

U.S. Appl. No. 29/323,063, filed Aug. 15, 2008, Mai, et al.
T 4 Concepts & Designs, LLC, Product Catalog, 2007, pp. 16-17, T
4 Concepts & Designs, LLC, Baton Rouge, LA, USA.

* cited by examiner

Primary Examiner — Cathron Brooks

Assistant Examiner — Melanie Levy

(74) *Attorney, Agent, or Firm* — John K. Buche; Buche & Associates, P.C.; Scott Compton

(57) **CLAIM**

The ornamental design for a pedicure spa, as shown and described.

DESCRIPTION

FIG. 1 is a front perspective view of a pedicure spa showing my new design, whereby the broken lines form no part of the claimed design;

FIG. 2 is a rear perspective view of the pedicure spa, whereby the broken lines form no part of the claimed design;

FIG. 3 is a front elevational view of the pedicure spa, whereby the broken lines form no part of the claimed design;

FIG. 4 is a rear elevational view of the pedicure spa, whereby the broken lines form no part of the claimed design;

FIG. 5 is a left side elevational view of the pedicure spa;

FIG. 6 is a right side elevational view of the pedicure spa;

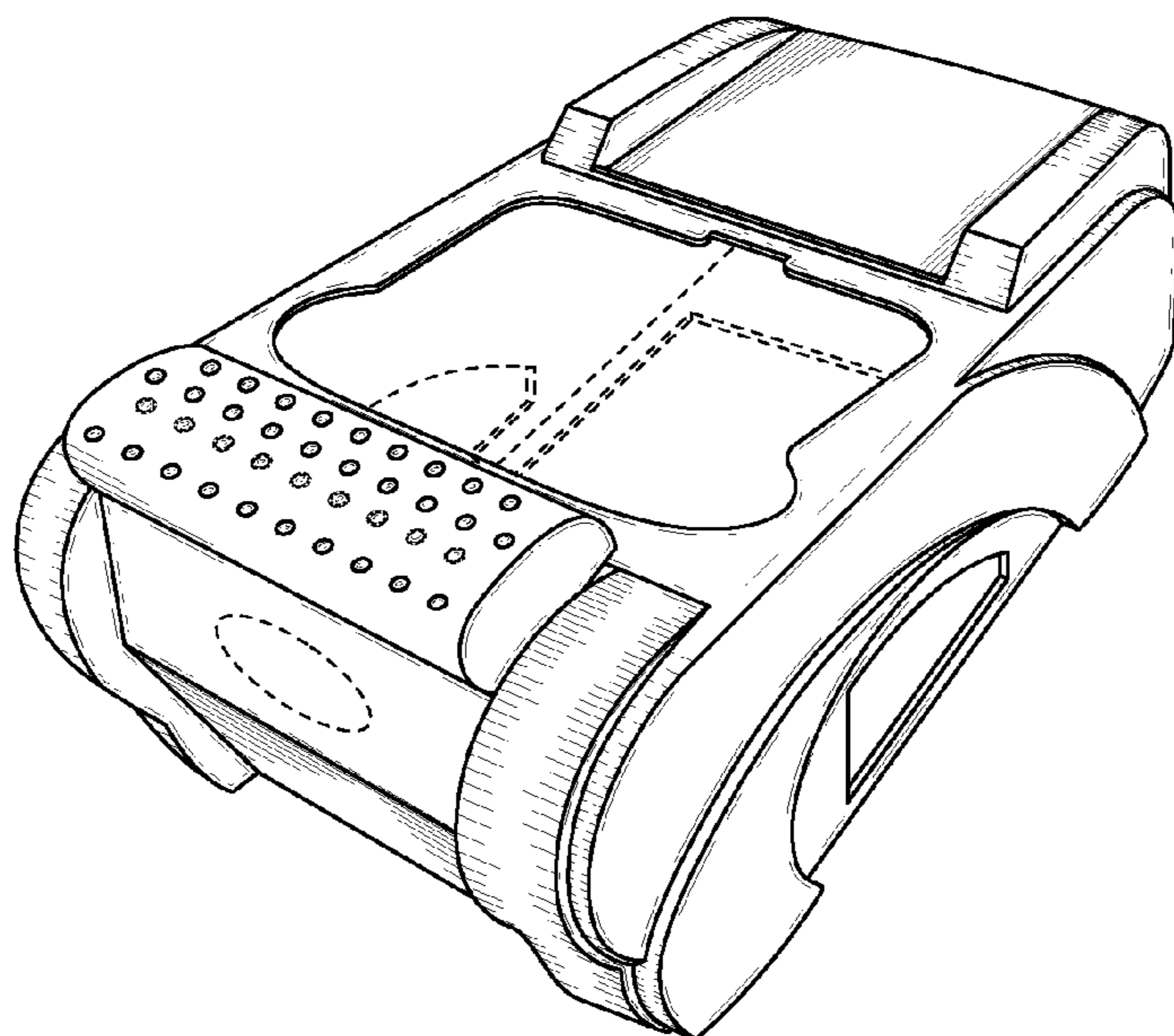
FIG. 7 is a top view of the pedicure spa, whereby the broken lines form no part of the claimed design;

FIG. 8 is a bottom view of the pedicure spa, whereby the broken lines form no part of the claimed design;

FIG. 9 is a rear perspective view of the pedicure spa and a side panel shown in broken lines, whereby the side panel is shown for environmental purposes only and forms no part of the claimed design, and whereby the broken lines of the pedicure spa form no part of the claimed design; and,

FIG. 10 is a rear perspective view of the pedicure spa including a side panel shown in broken lines attached thereto, whereby the side panel is shown for environmental purposes only and forms no part of the claimed design, and whereby the broken lines of the pedicure spa form no part of the claimed design.

1 Claim, 5 Drawing Sheets



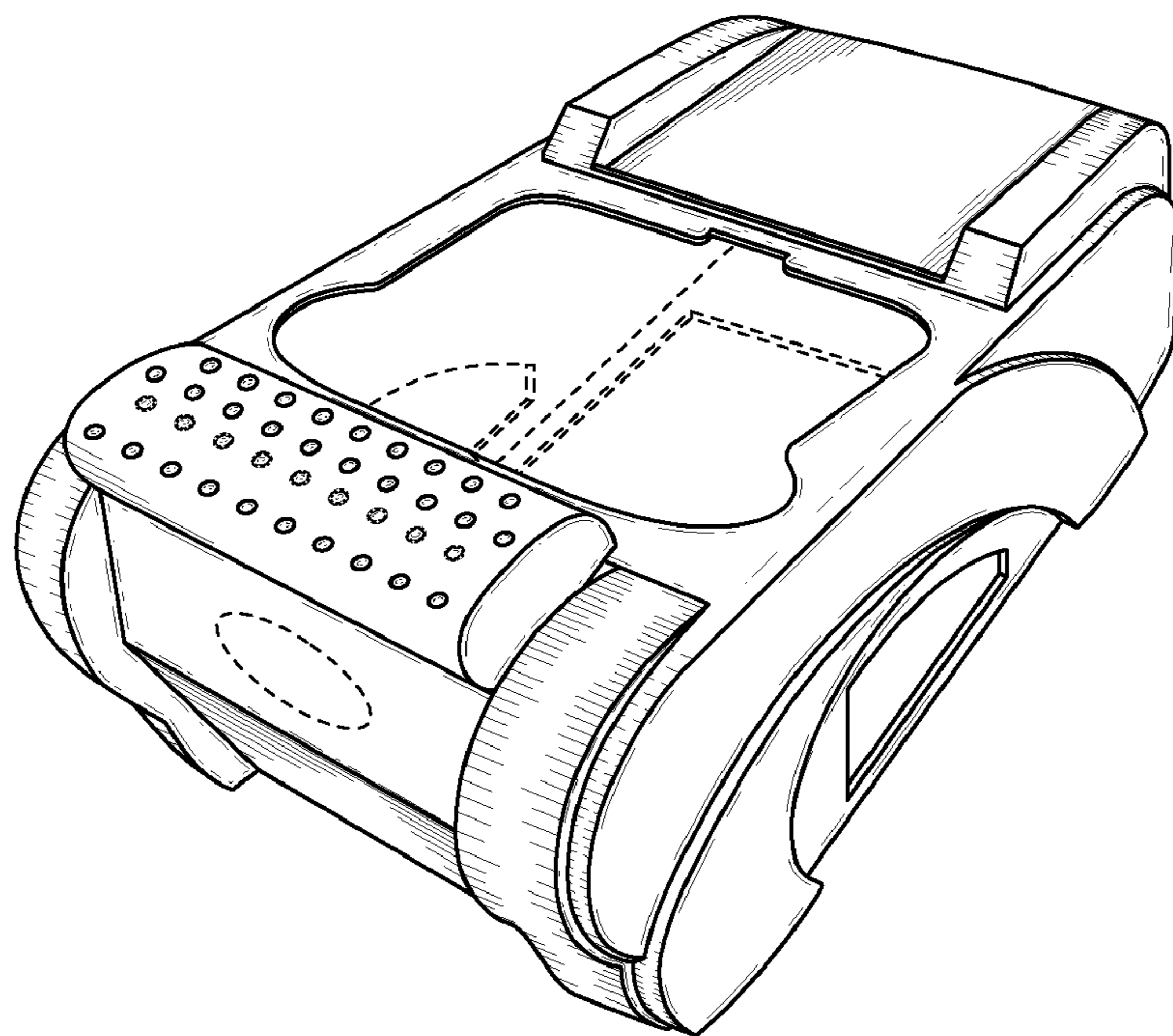


FIG. 1

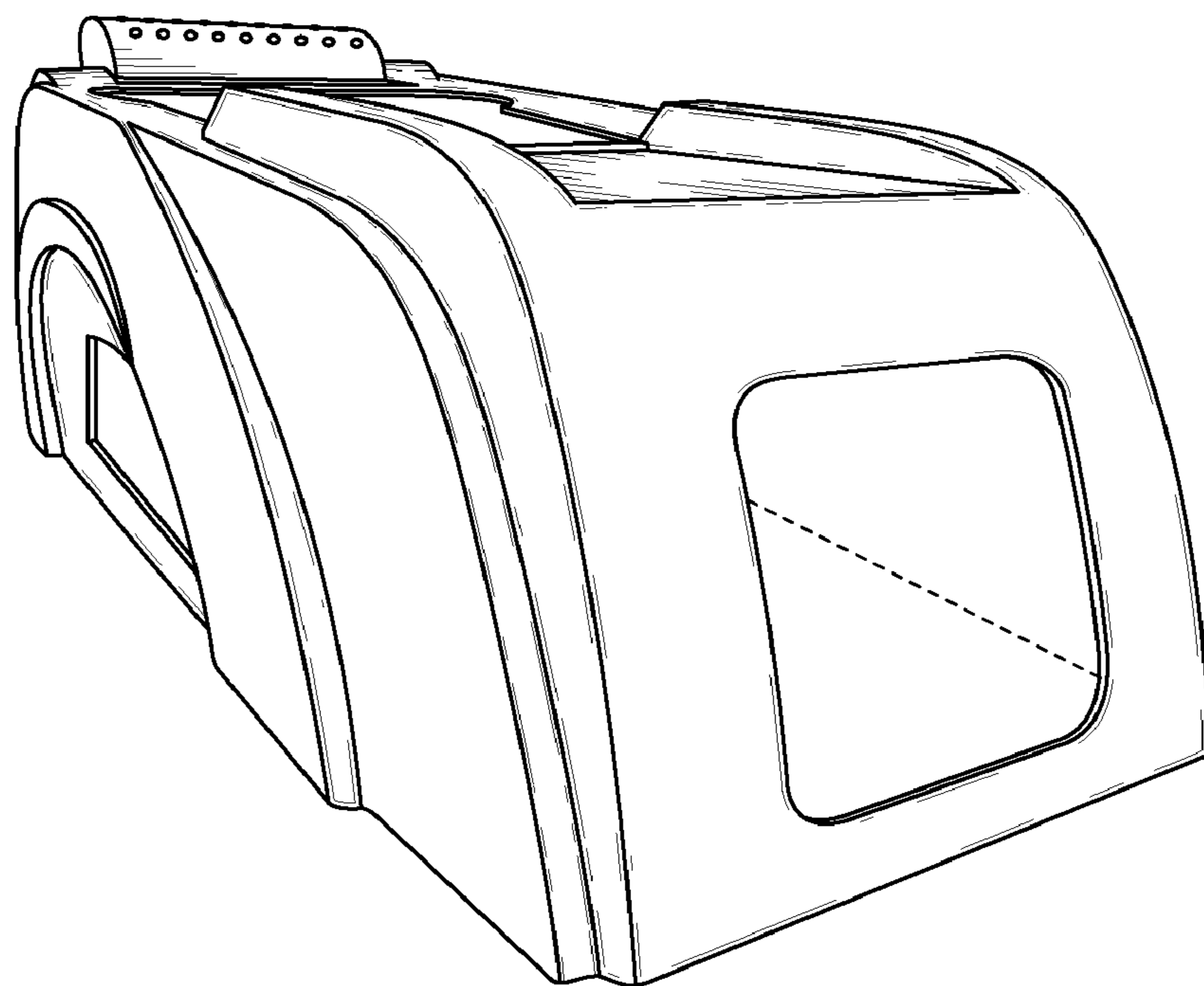


FIG. 2

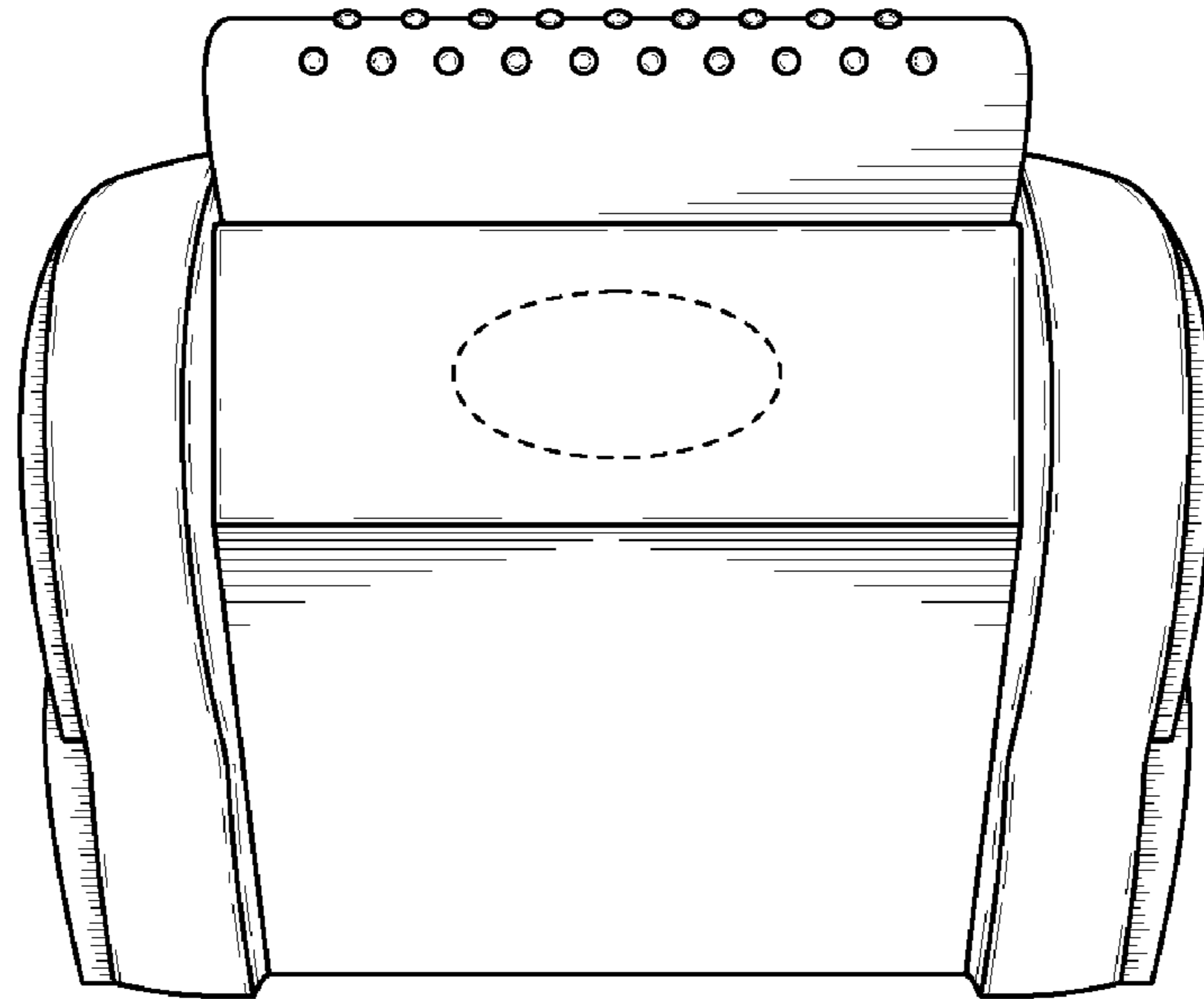


FIG. 3

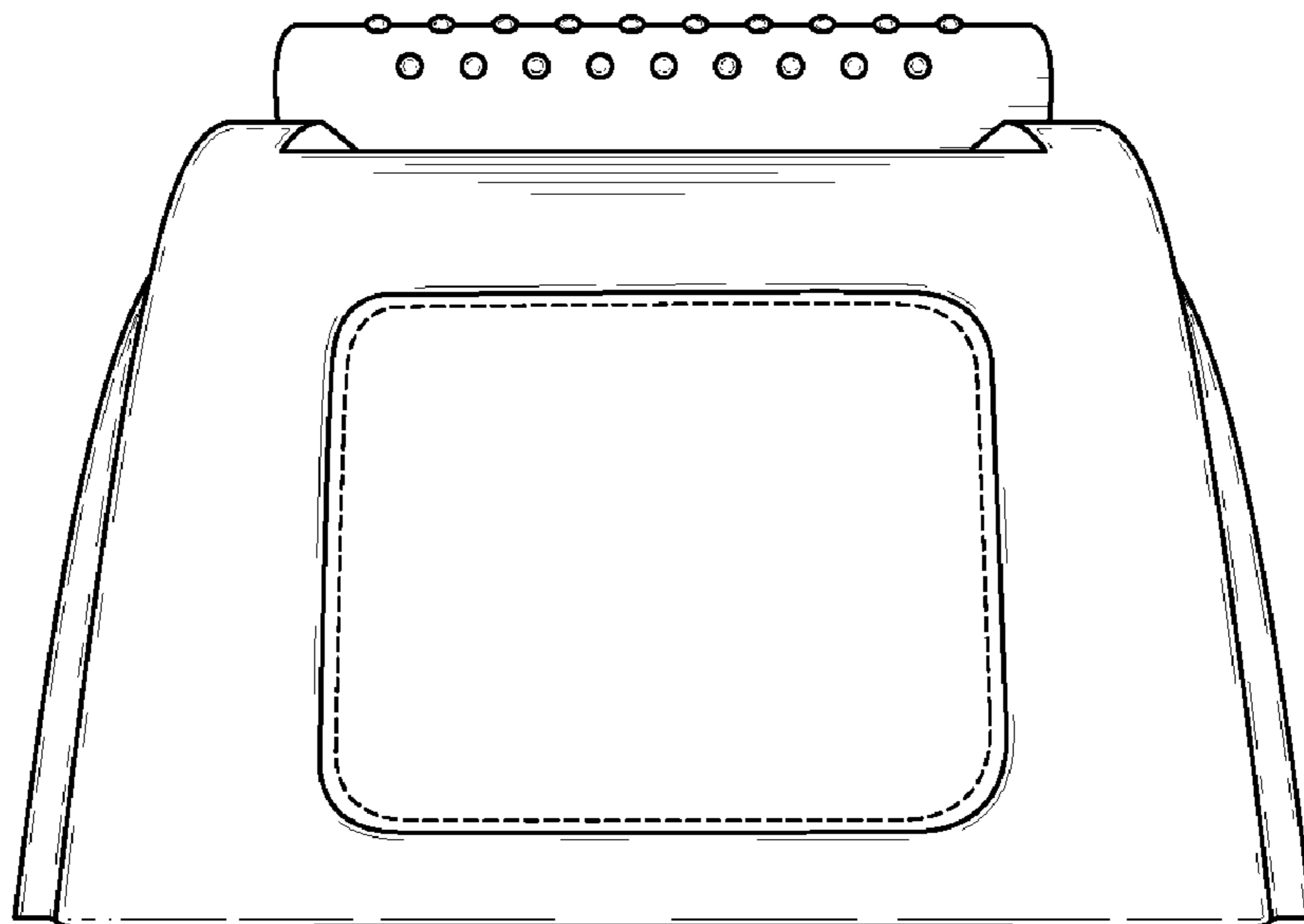


FIG. 4

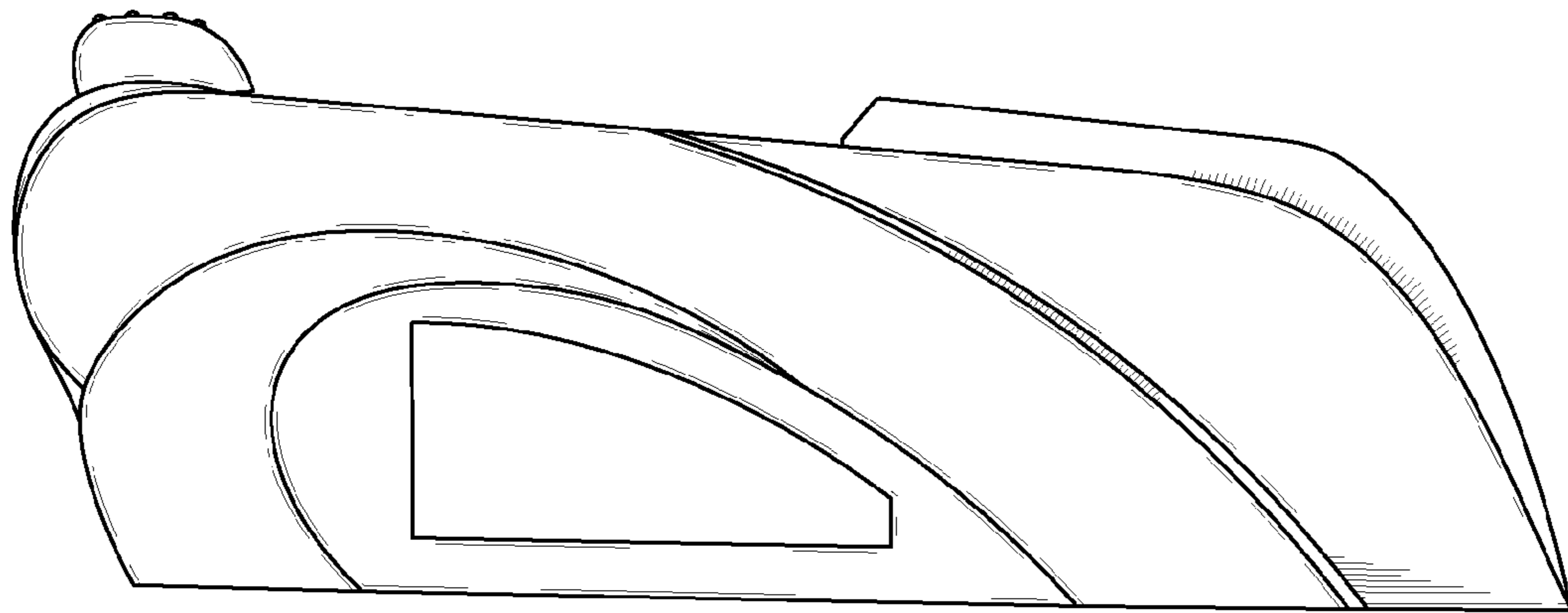


FIG. 5

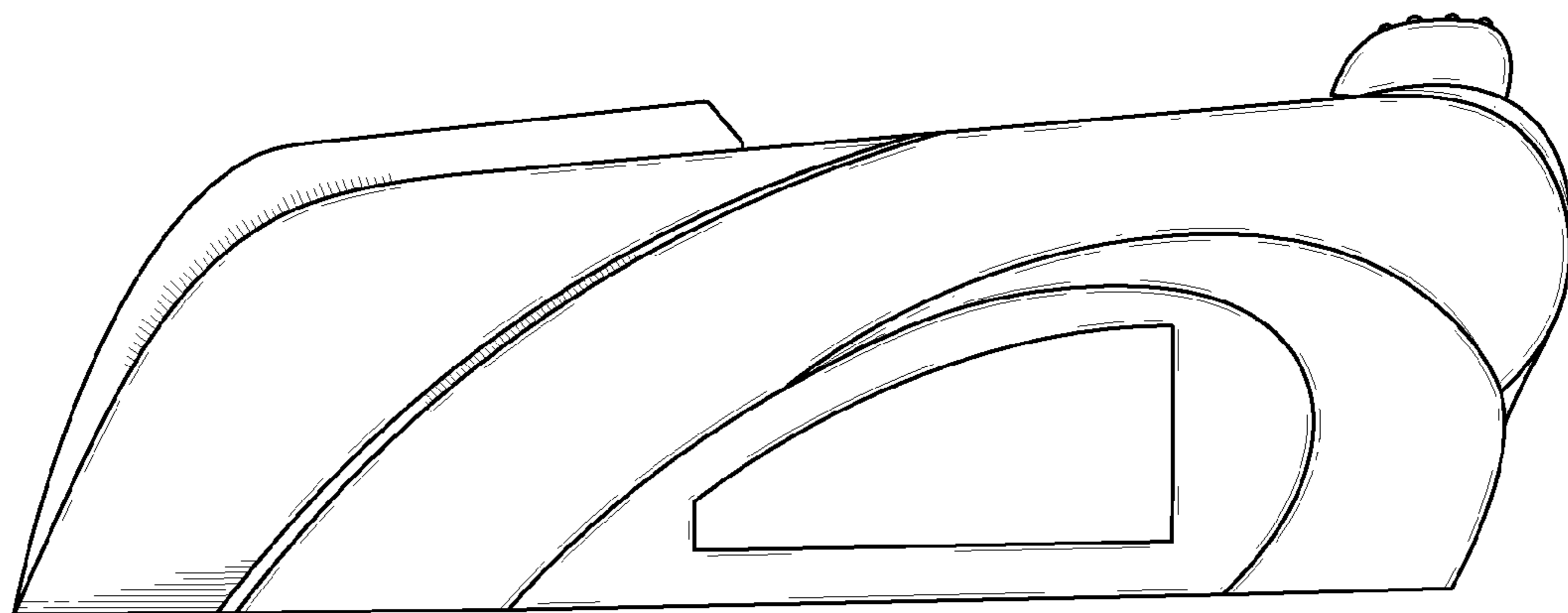


FIG. 6

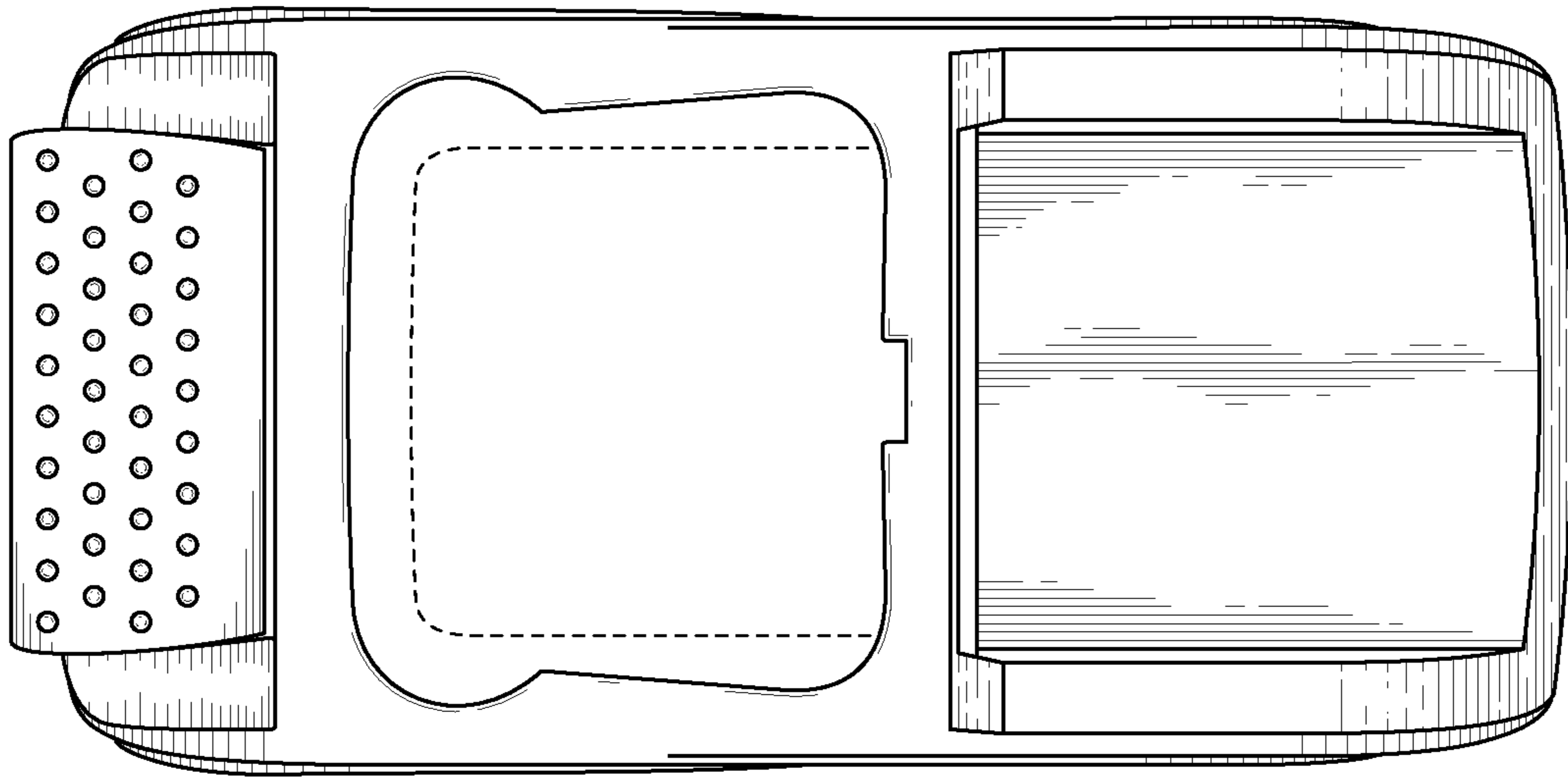


FIG. 7

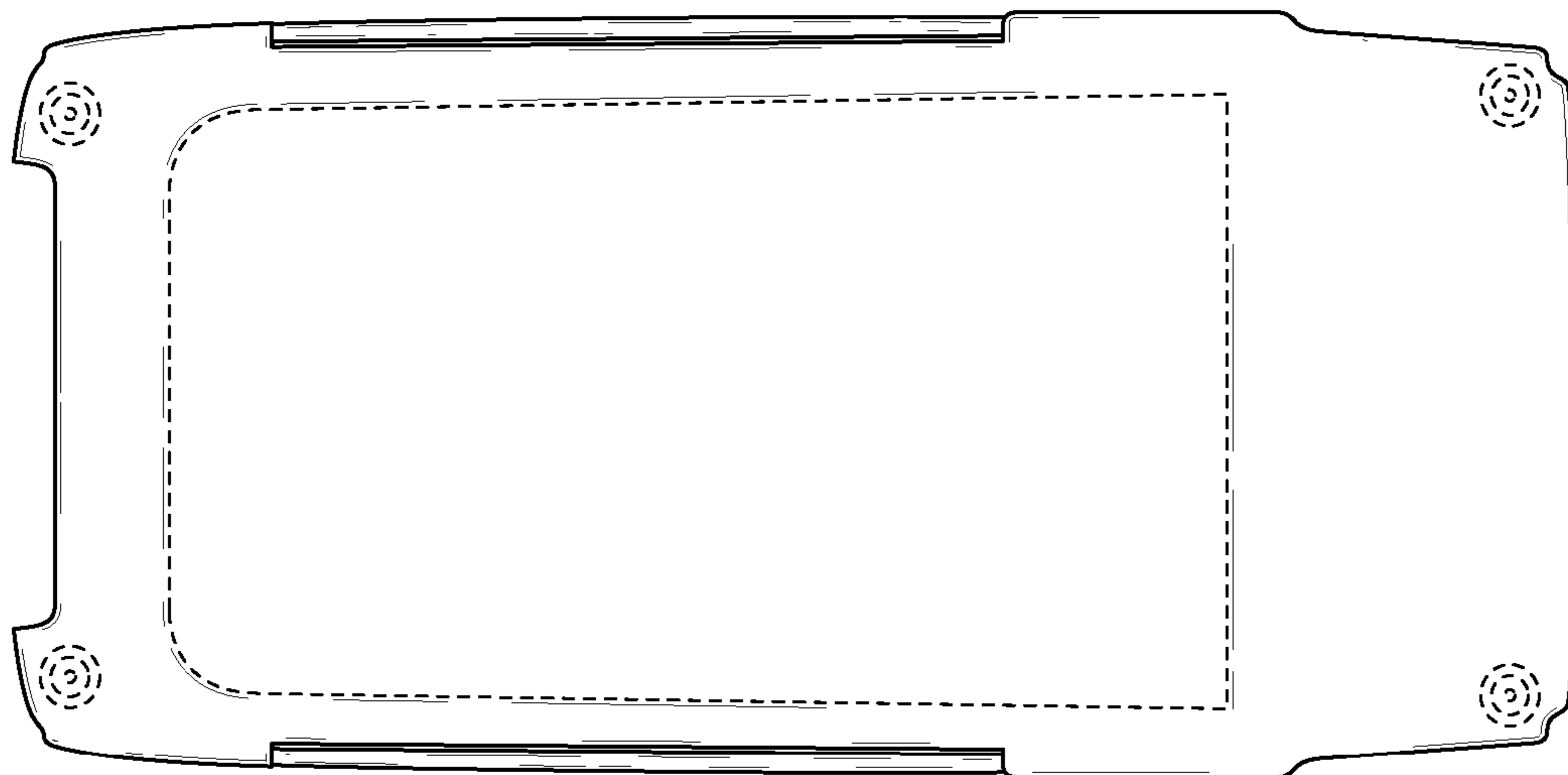


FIG. 8

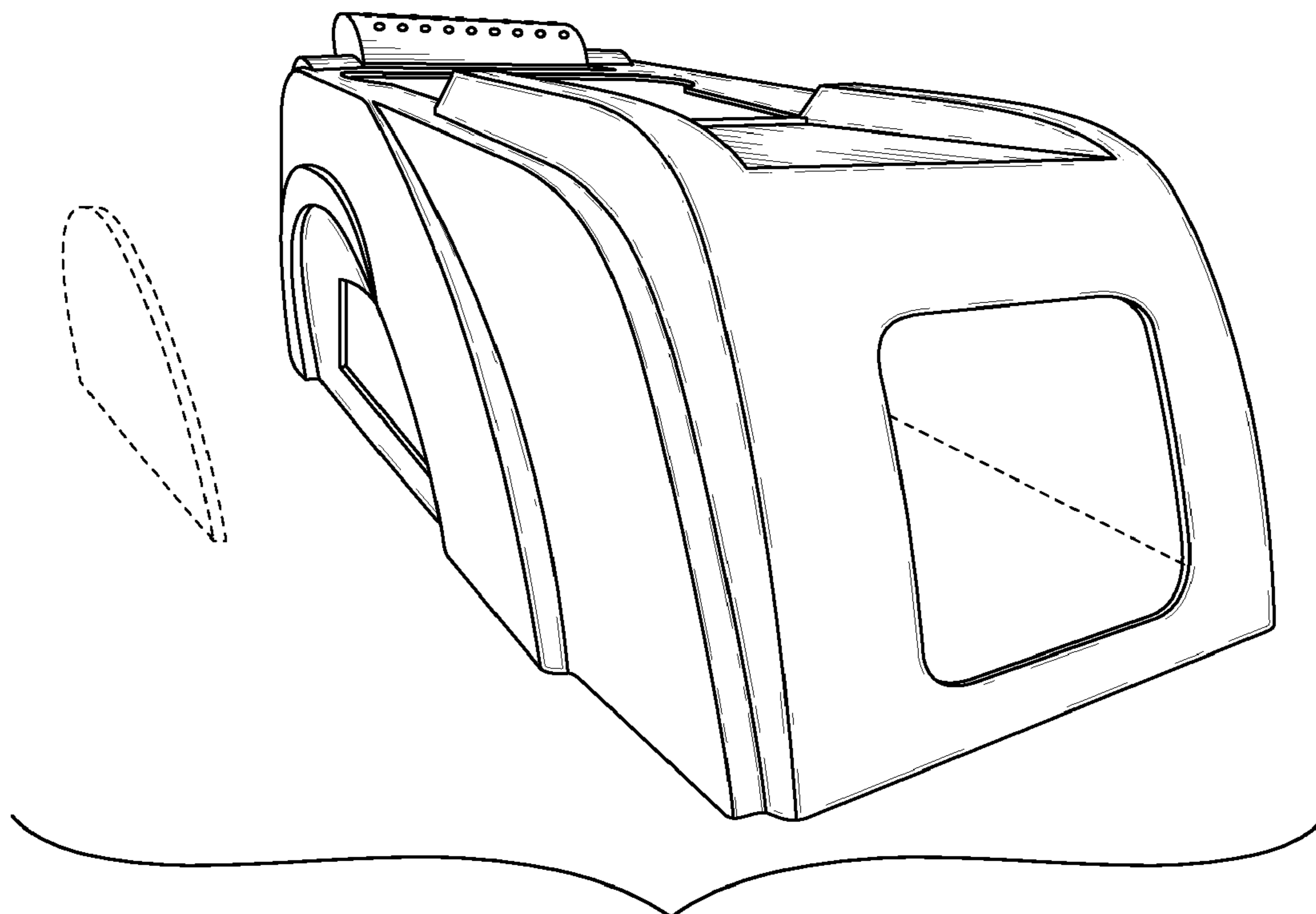


FIG. 9

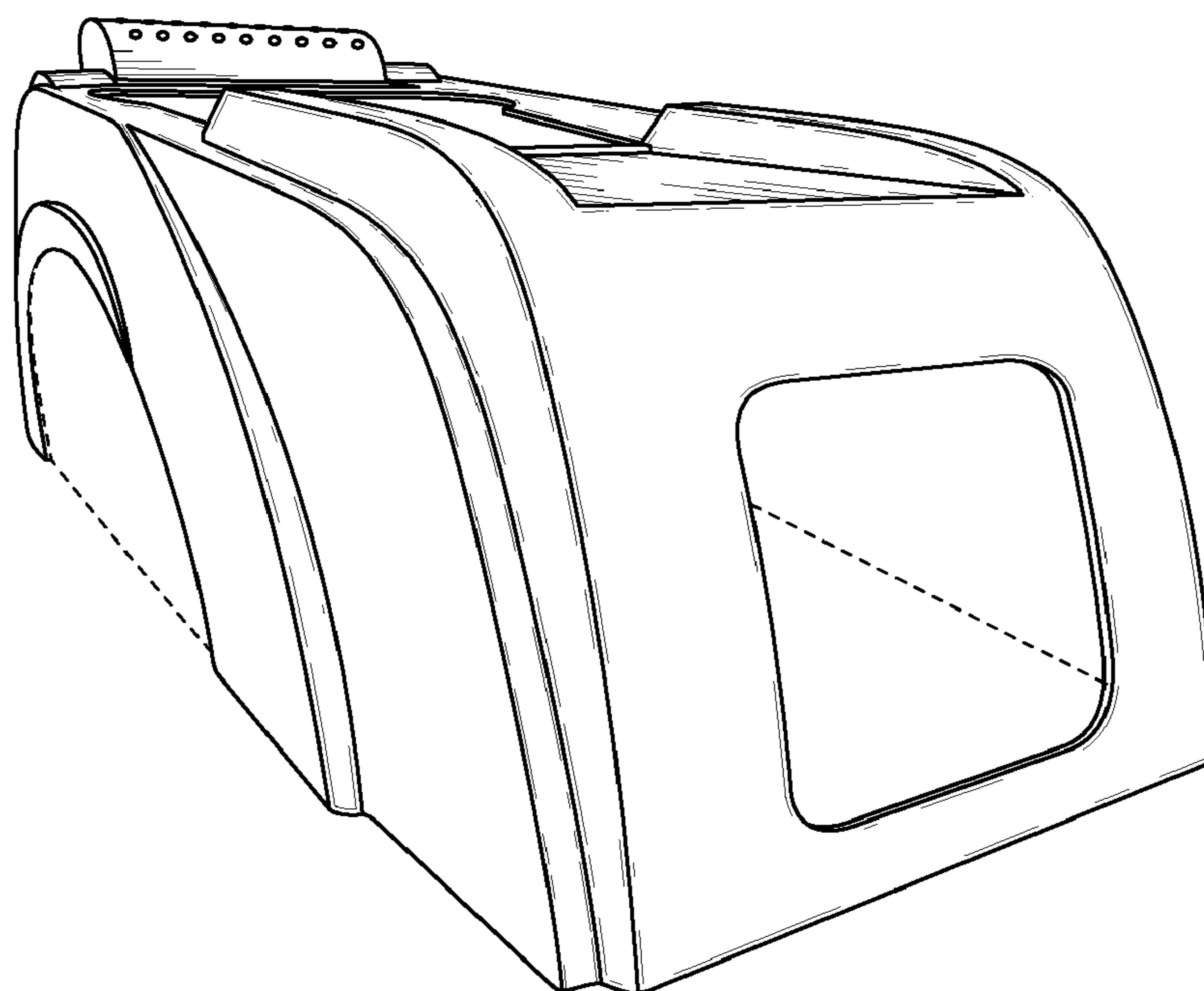


FIG. 10