



US00D641484S

(12) **United States Design Patent**
Jenkins et al.

(10) **Patent No.:** **US D641,484 S**

(45) **Date of Patent:** **** Jul. 12, 2011**

(54) **BABY BOTTLE**

(76) Inventors: **David Jenkins**, Hooksett, NH (US);
Ashley Jenkins, Hooksett, NH (US)

(**) Term: **14 Years**

(21) Appl. No.: **29/368,509**

(22) Filed: **Aug. 25, 2010**

(51) **LOC (9) Cl.** **07-01**

(52) **U.S. Cl.** **D24/197**

(58) **Field of Classification Search** D24/193-199,
D24/117; D7/510-511, 533-534; D9/500,
D9/503-504, 547; 215/11.1-11.6, 387, 398,
215/DIG. 8

See application file for complete search history.

(56) **References Cited**

U.S. PATENT DOCUMENTS

3,112,837	A *	12/1963	Manoyian	215/11.1
D288,127	S *	2/1987	Simmons	D24/198
D368,529	S *	4/1996	Allegre	D24/197
D454,642	S *	3/2002	Hakim	D24/197
D513,932	S *	1/2006	De Oliveira	D7/534

D559,622	S *	1/2008	Carreno	D7/510
D564,665	S *	3/2008	Kim	D24/197
D590,950	S *	4/2009	Driver et al.	D24/197
D625,423	S *	10/2010	MacKay et al.	D24/197
2008/0191105	A1 *	8/2008	Bogel	248/170

* cited by examiner

Primary Examiner — Susan E Krakower

(74) *Attorney, Agent, or Firm* — Bay State IP; Adam J. Bruno

(57) **CLAIM**

I claim the ornamental design for a baby bottle, as shown and described.

DESCRIPTION

FIG. 1 is an isometric front and side view showing my new design;

FIG. 2 is a front view thereof;

FIG. 3 is a back view thereof;

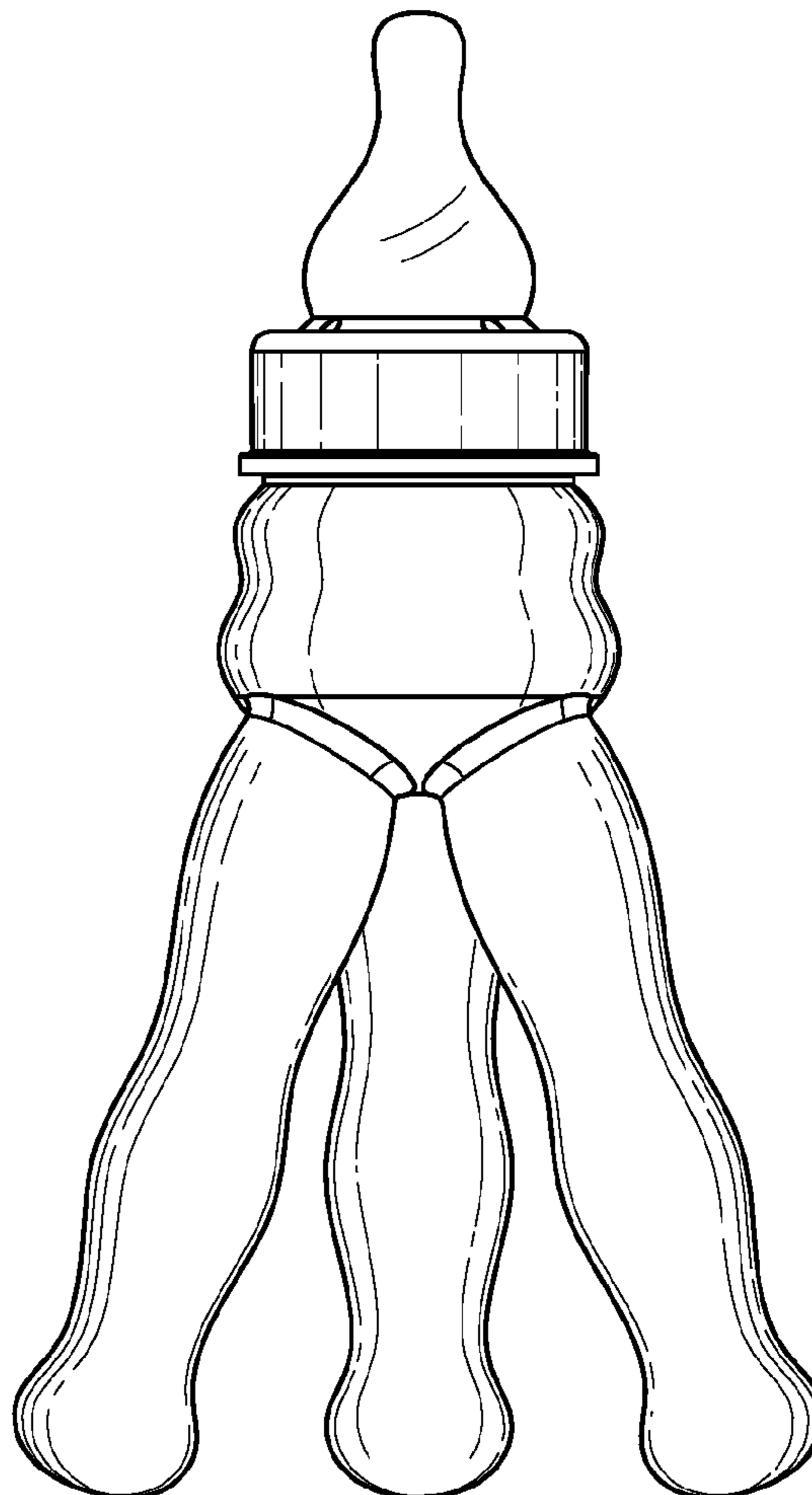
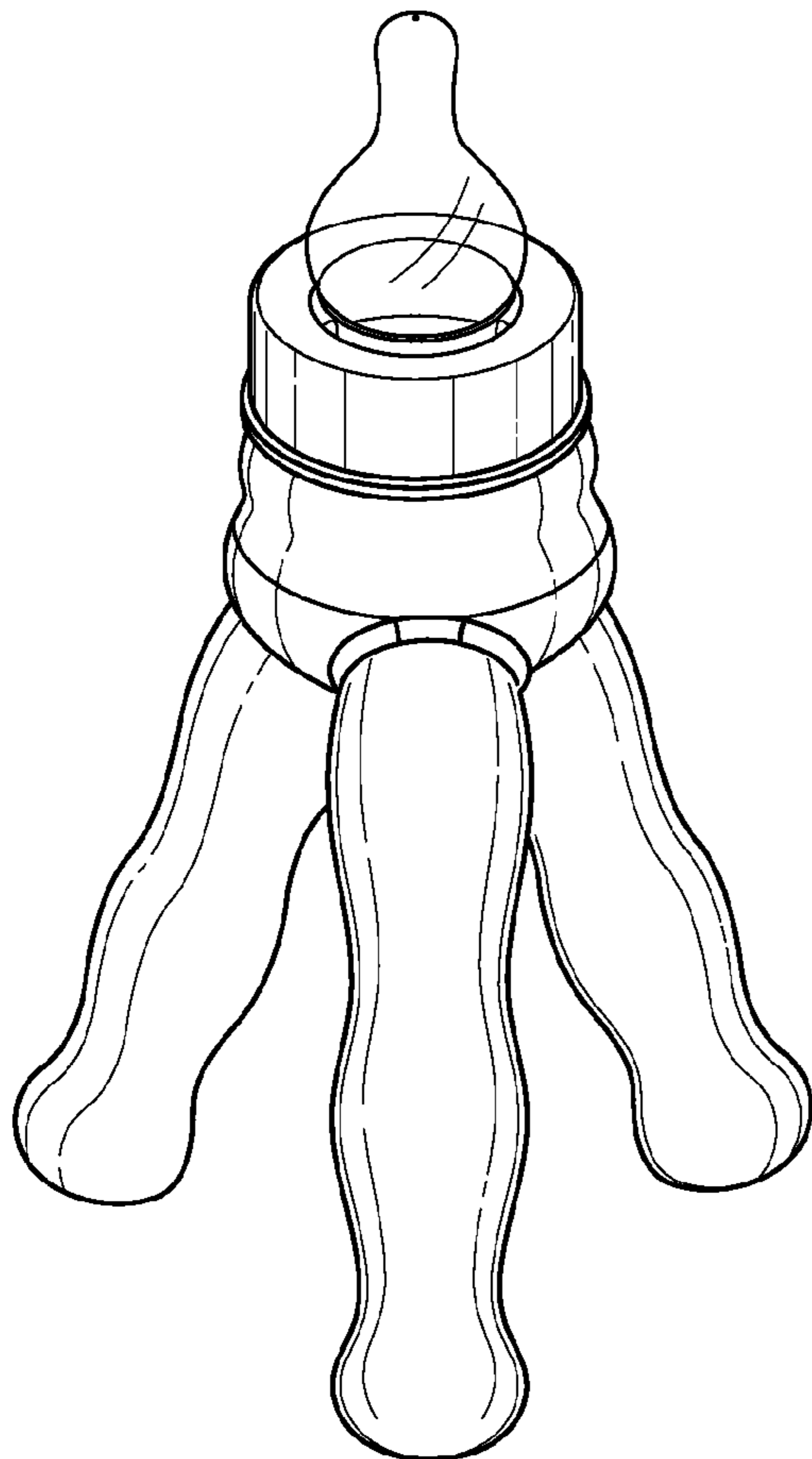
FIG. 4 is a bottom view thereof;

FIG. 5 is a top view thereof;

FIG. 6 is a side view thereof; and,

FIG. 7 is an opposite side view thereof.

1 Claim, 4 Drawing Sheets



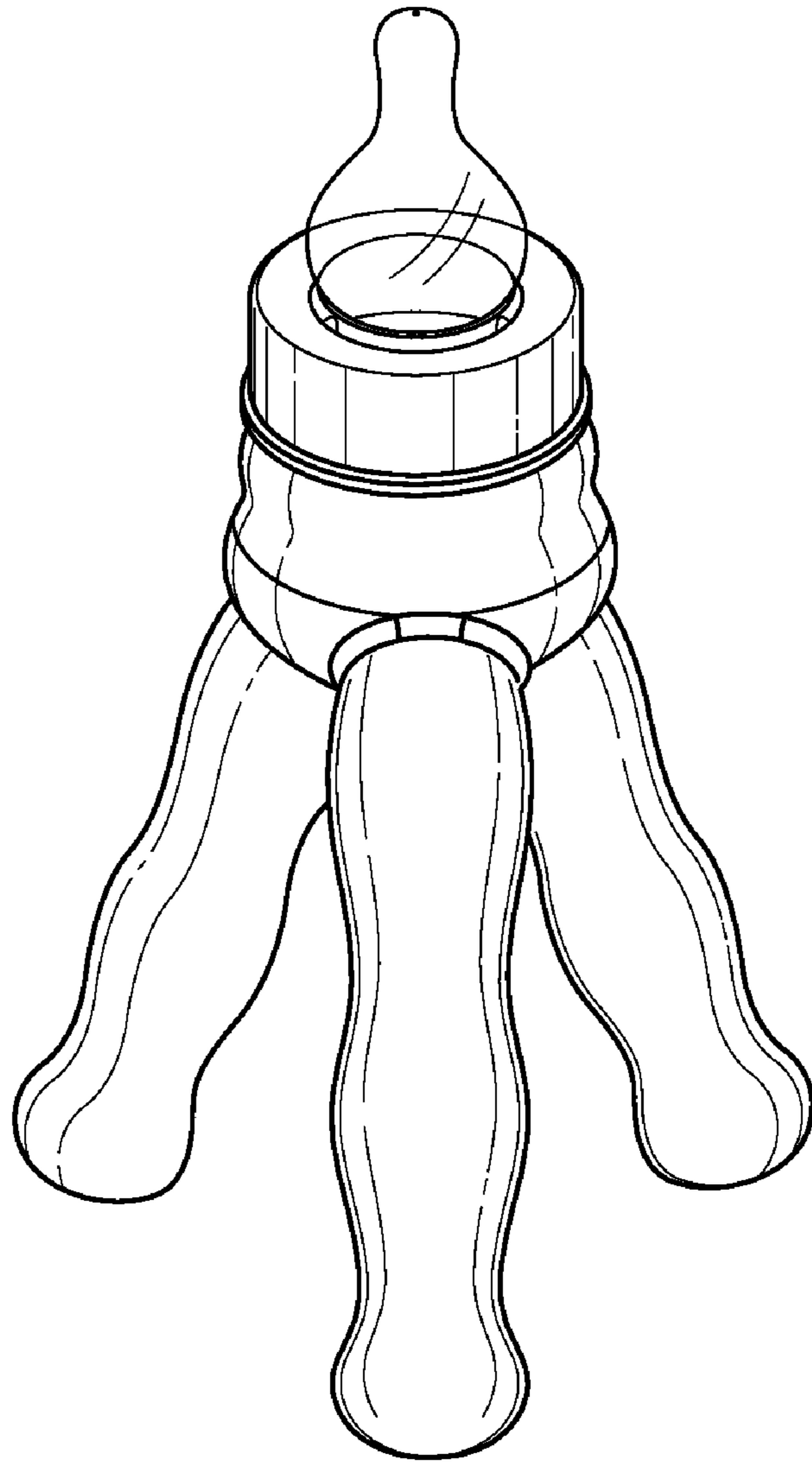


FIG. 1

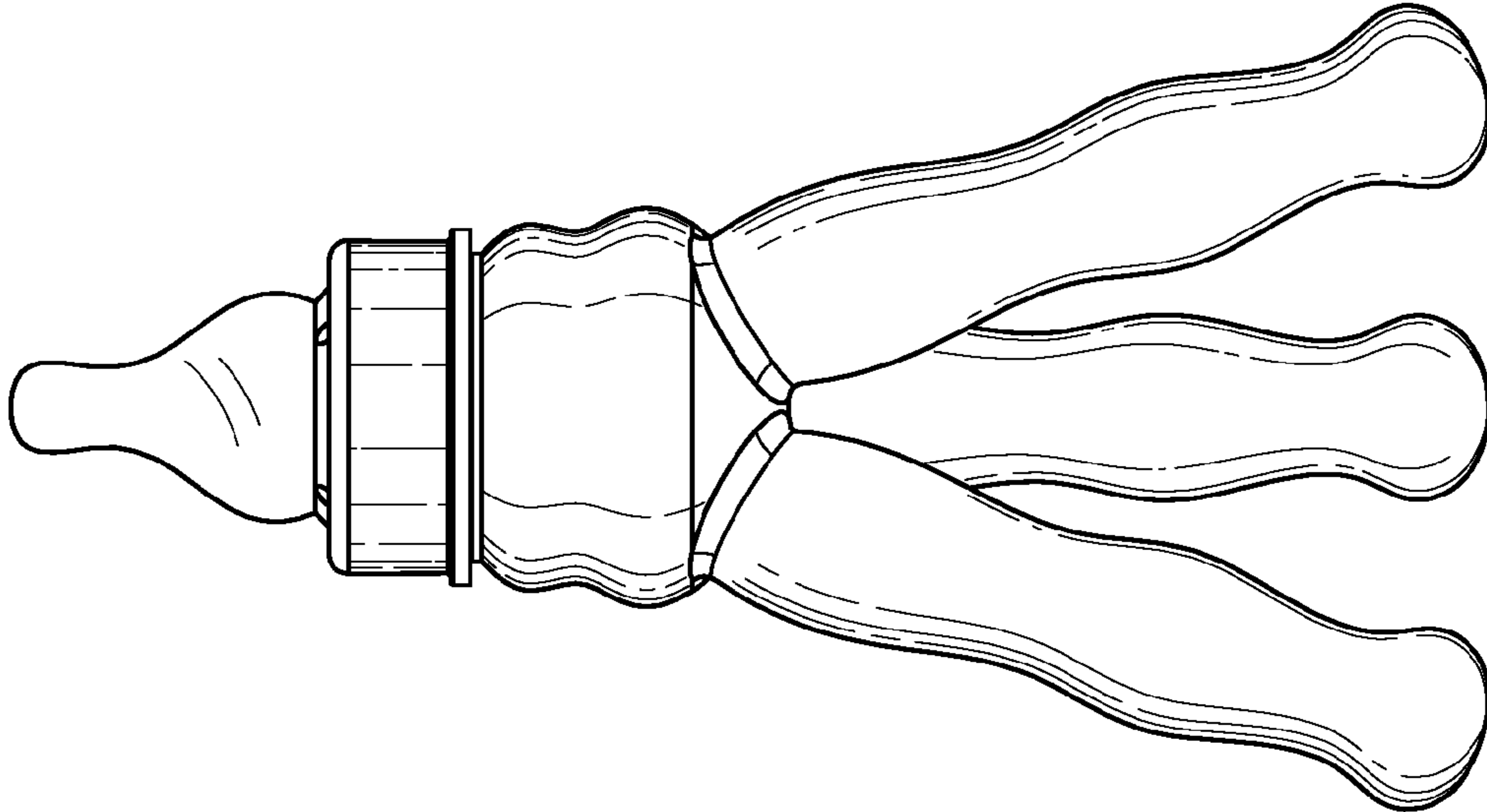


FIG. 3

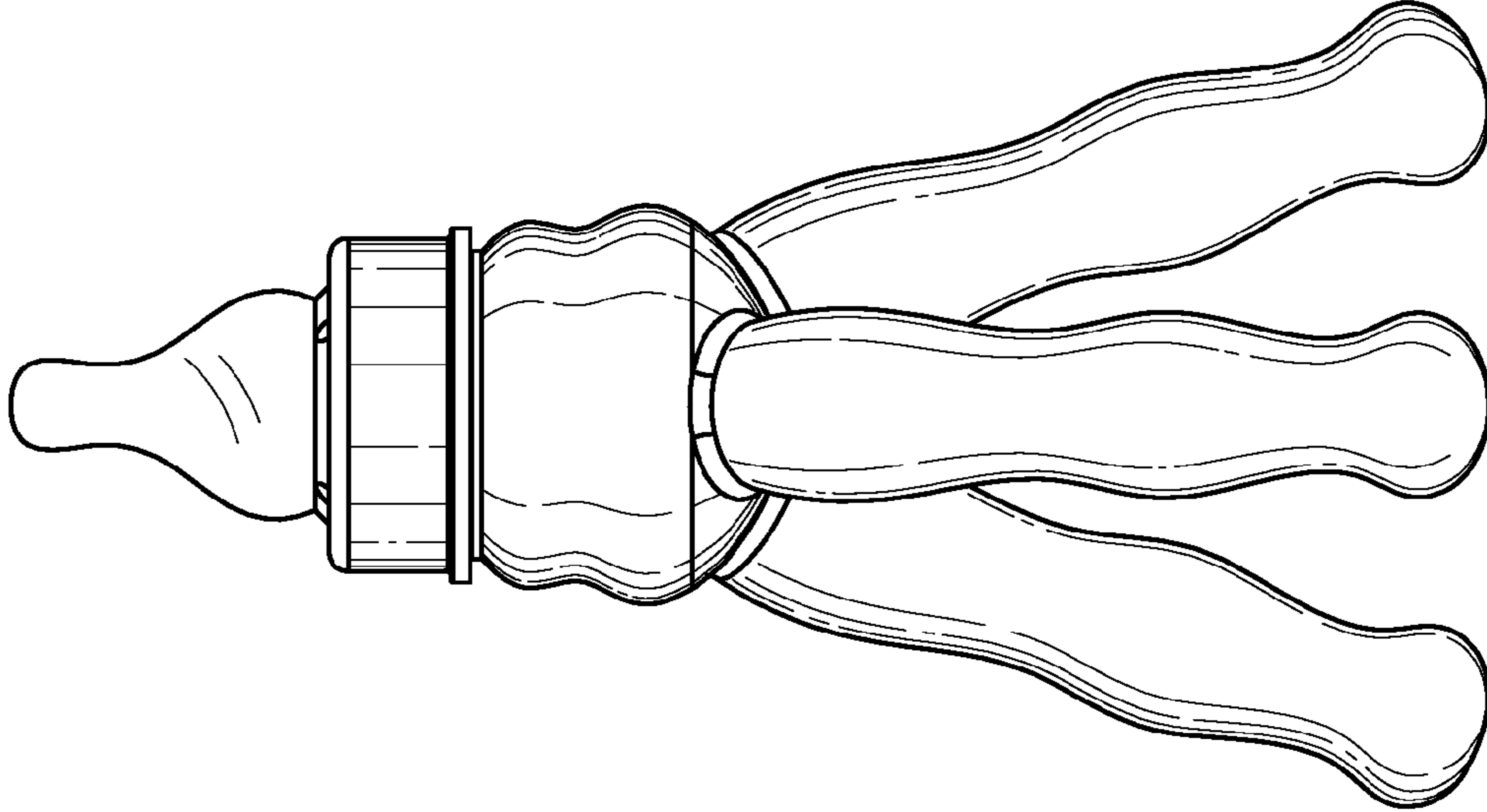


FIG. 2

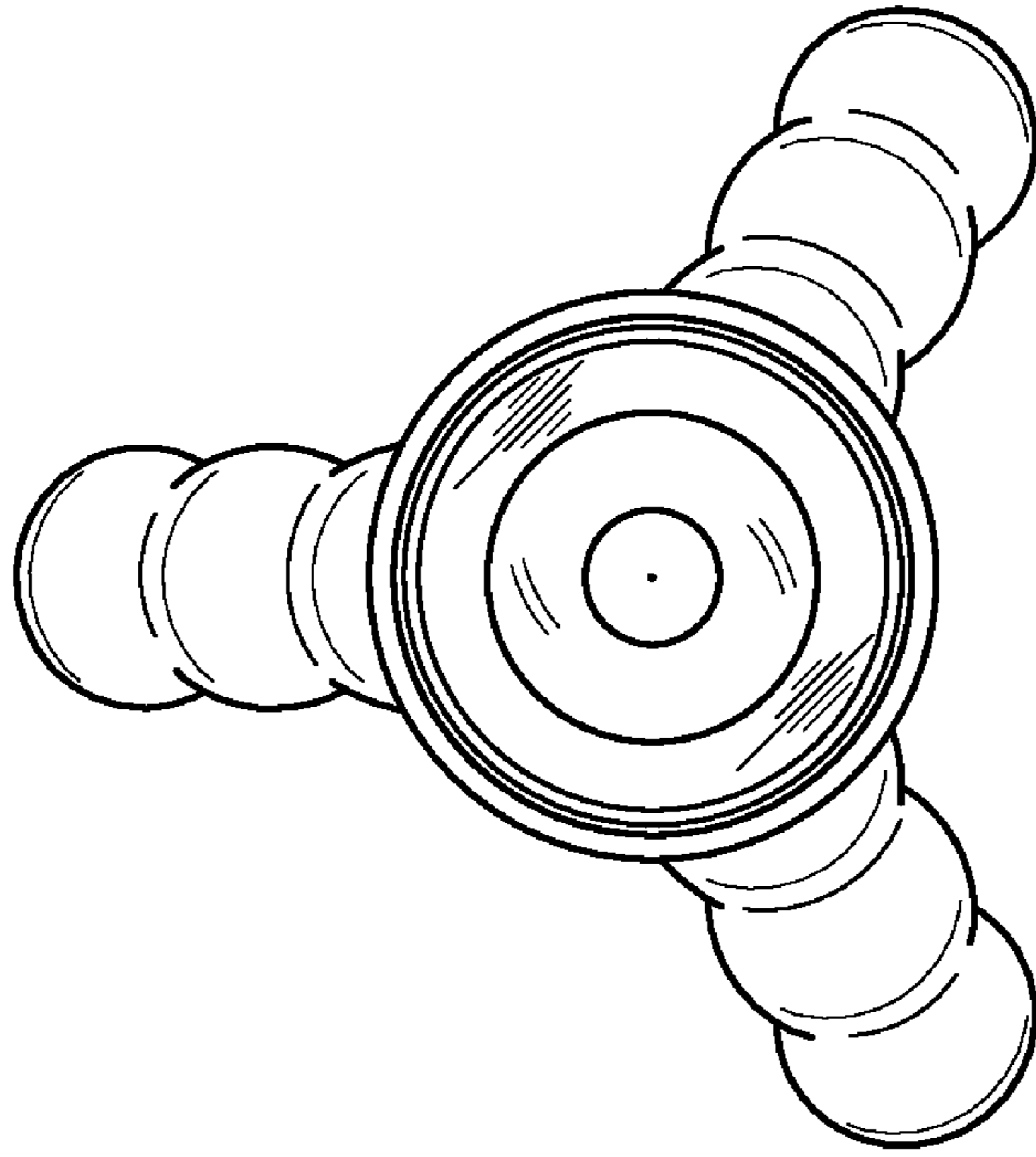


FIG. 5

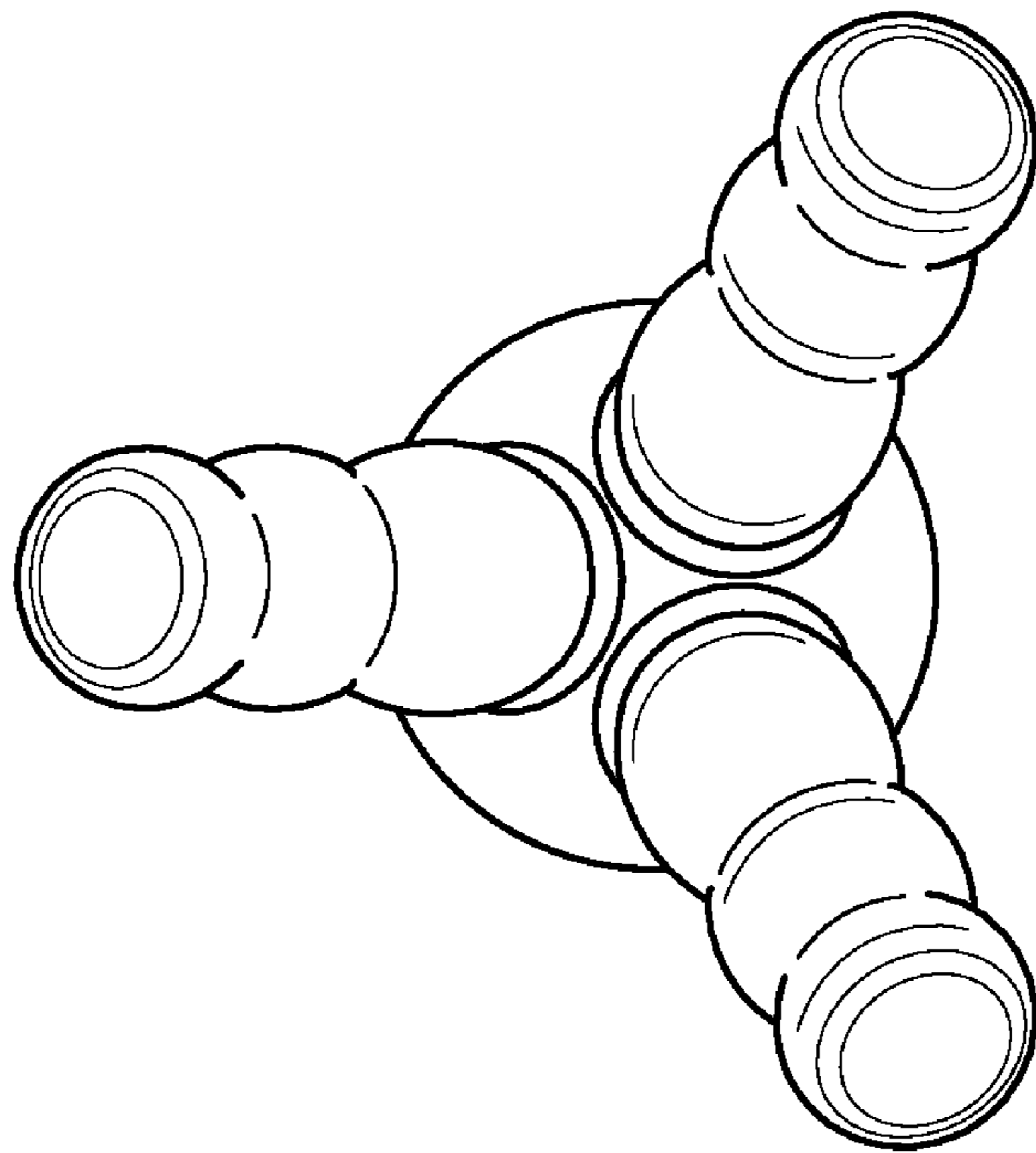


FIG. 4

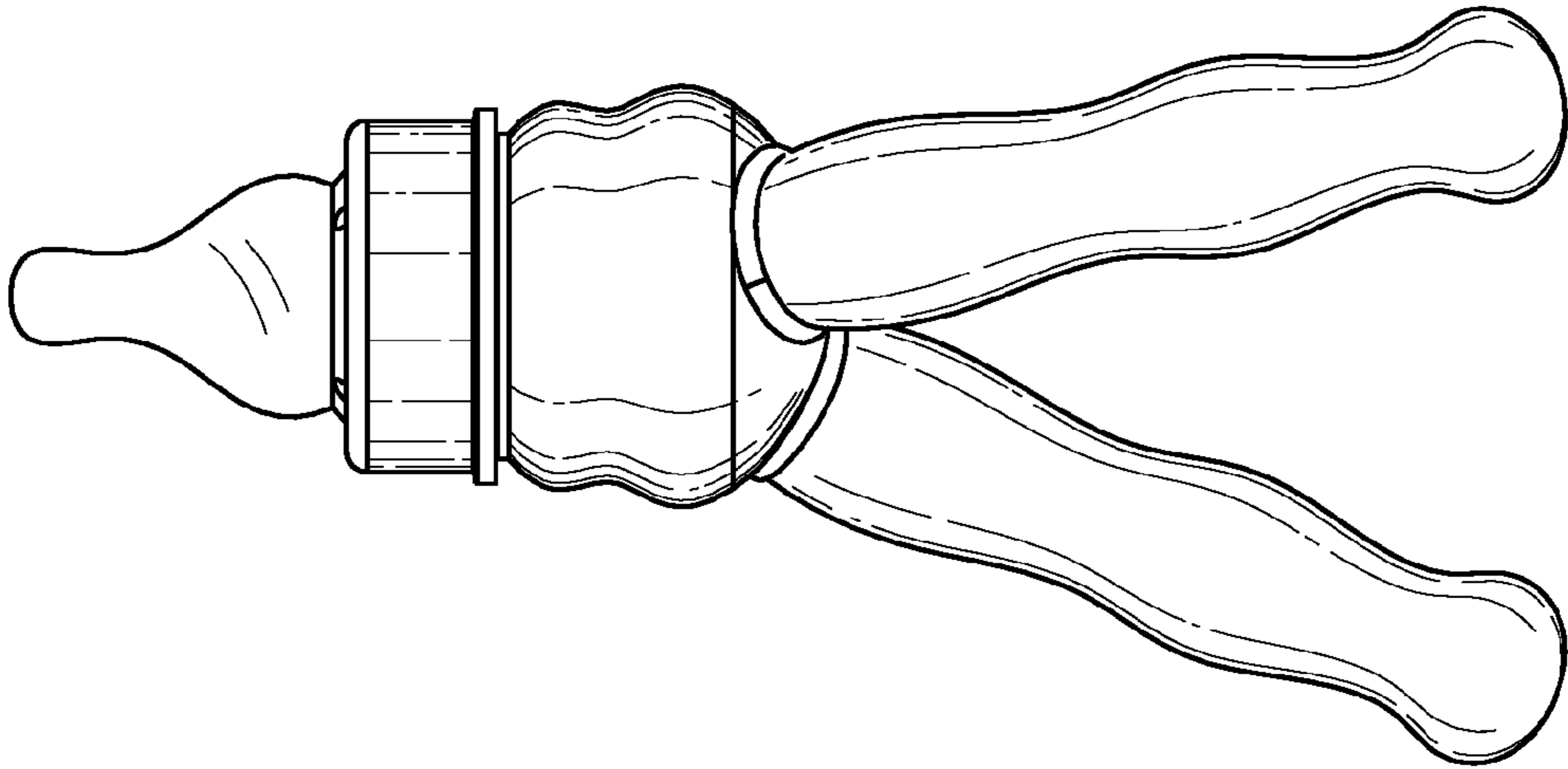


FIG. 7

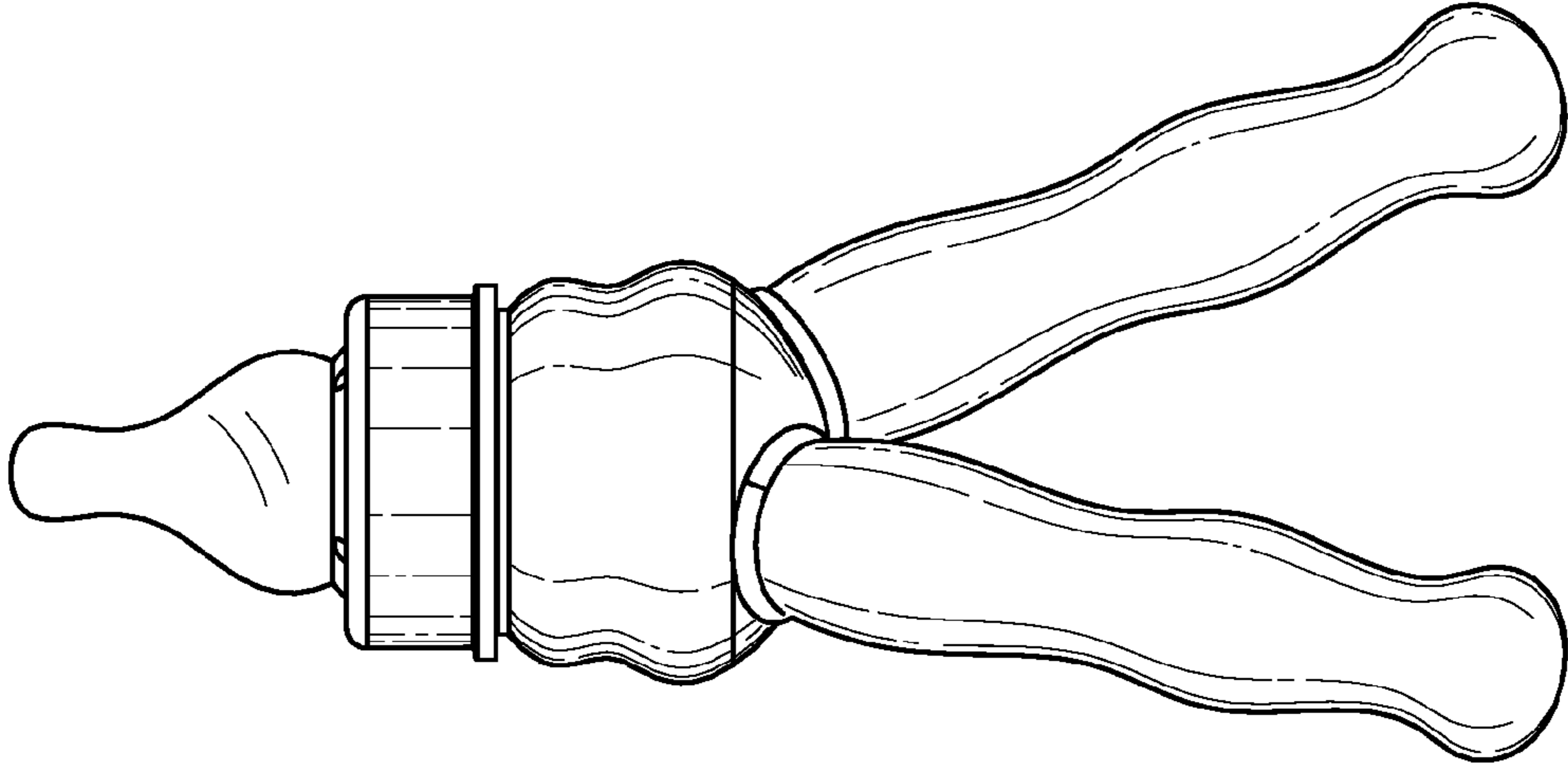


FIG. 6