



US00D641480S

(12) **United States Design Patent**
Sweat

(10) **Patent No.:** **US D641,480 S**
(45) **Date of Patent:** **** Jul. 12, 2011**

(54) **CHIROPRACTIC CEPHALIC DEGREE INSTRUMENT**

(76) Inventor: **Matthew H. Sweat**, Norcross, GA (US)

(**) Term: **14 Years**

(21) Appl. No.: **29/372,646**

(22) Filed: **Dec. 20, 2010**

(51) **LOC (9) Cl.** **24-01**

(52) **U.S. Cl.** **D24/184**

(58) **Field of Classification Search** D24/130,
D24/140, 146, 157-159, 167, 171, 183-185,
D24/200, 231; D10/62, 64, 65, 69, 73; 33/512;
73/379.01, 172; 600/587, 595, 415, 461;
606/130; 604/264

See application file for complete search history.

(56) **References Cited**

U.S. PATENT DOCUMENTS

3,270,558	A *	9/1966	Barret et al.	73/172
3,614,950	A *	10/1971	Rabey	600/587
4,771,548	A *	9/1988	Donnery	33/512
D298,806	S *	12/1988	Tandy	D10/62
5,196,019	A *	3/1993	Davis et al.	606/130
D337,955	S *	8/1993	Edwards	D10/65
D341,786	S *	11/1993	Waterhouse	D10/65
D352,111	S *	11/1994	Watkins	D24/140
5,623,931	A *	4/1997	Wung et al.	600/461
5,836,878	A *	11/1998	Mock et al.	600/415
D402,035	S *	12/1998	Sullenberger et al.	D24/157
D402,370	S *	12/1998	Sullenberger et al.	D24/158

D406,347	S *	3/1999	Sullenberger et al.	D24/184
D407,820	S *	4/1999	Sullenberger et al.	D24/183
6,013,039	A *	1/2000	Watkins et al.	600/595
D424,693	S *	5/2000	Pruter	D24/130
D428,492	S *	7/2000	Tam	D24/167
D560,128	S *	1/2008	Diederich et al.	D10/73
D600,807	S *	9/2009	Dienst et al.	D24/140
D623,292	S *	9/2010	Kubota	D24/146
D625,007	S *	10/2010	Macken	D24/140

* cited by examiner

Primary Examiner — T. Chase Nelson

Assistant Examiner — Mark Cavanna

(74) *Attorney, Agent, or Firm* — Rodgers & Rodgers

(57) **CLAIM**

The ornamental design for a chiropractic cephalic degree instrument, as shown and described.

DESCRIPTION

FIG. 1 is a perspective view of a chiropractic cephalic degree instrument showing my new design;

FIG. 2 is a left-side elevational view thereof, the right side being a mirror image thereof;

FIG. 3 is a front elevational view thereof;

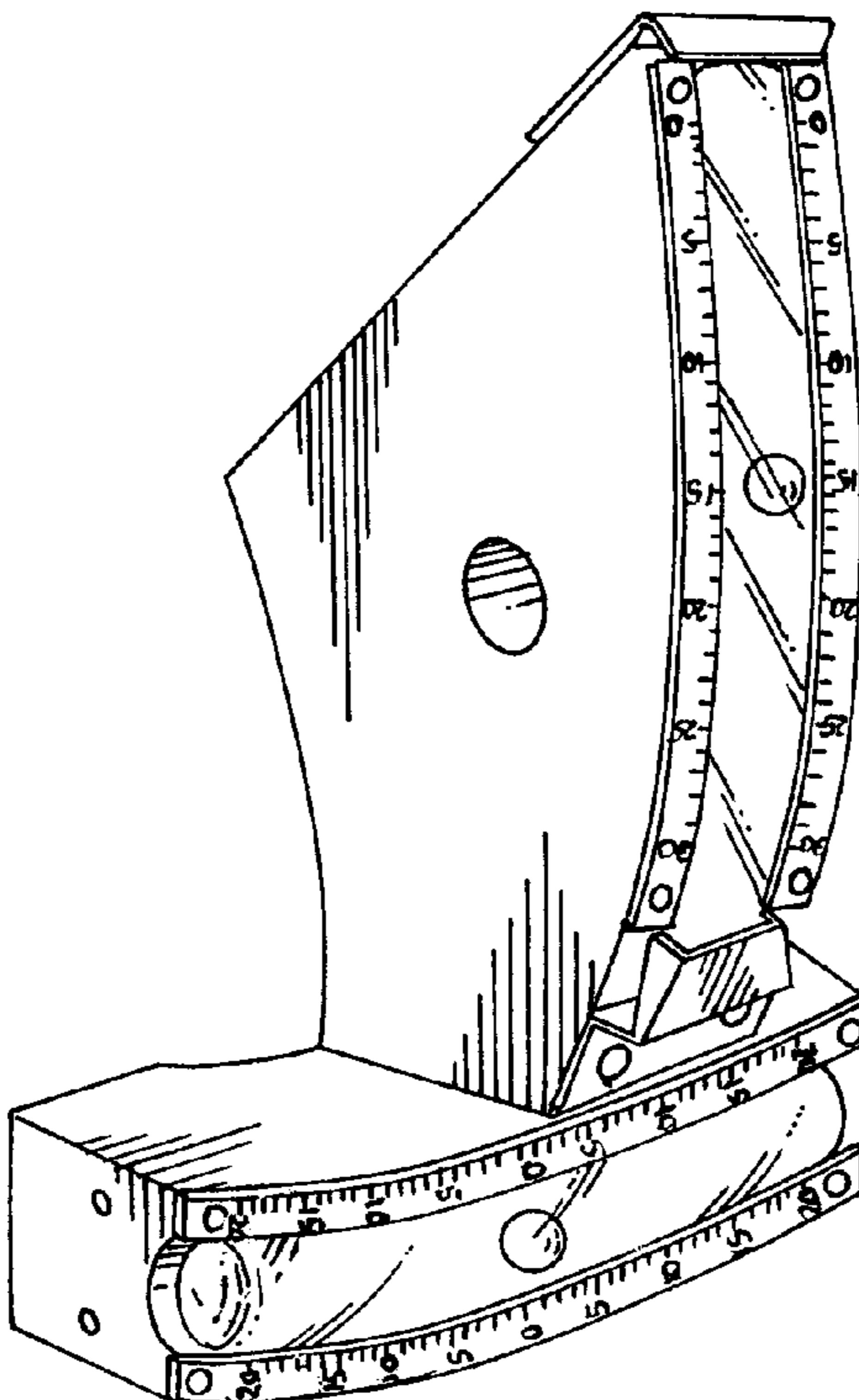
FIG. 4 is a top plan view thereof;

FIG. 5 is a rear elevational view thereof; and,

FIG. 6 is a bottom plan view thereof.

The broken lines are included for the purpose of illustrating portions of the chiropractic cephalic degree instrument that form no part of the claimed design.

1 Claim, 2 Drawing Sheets



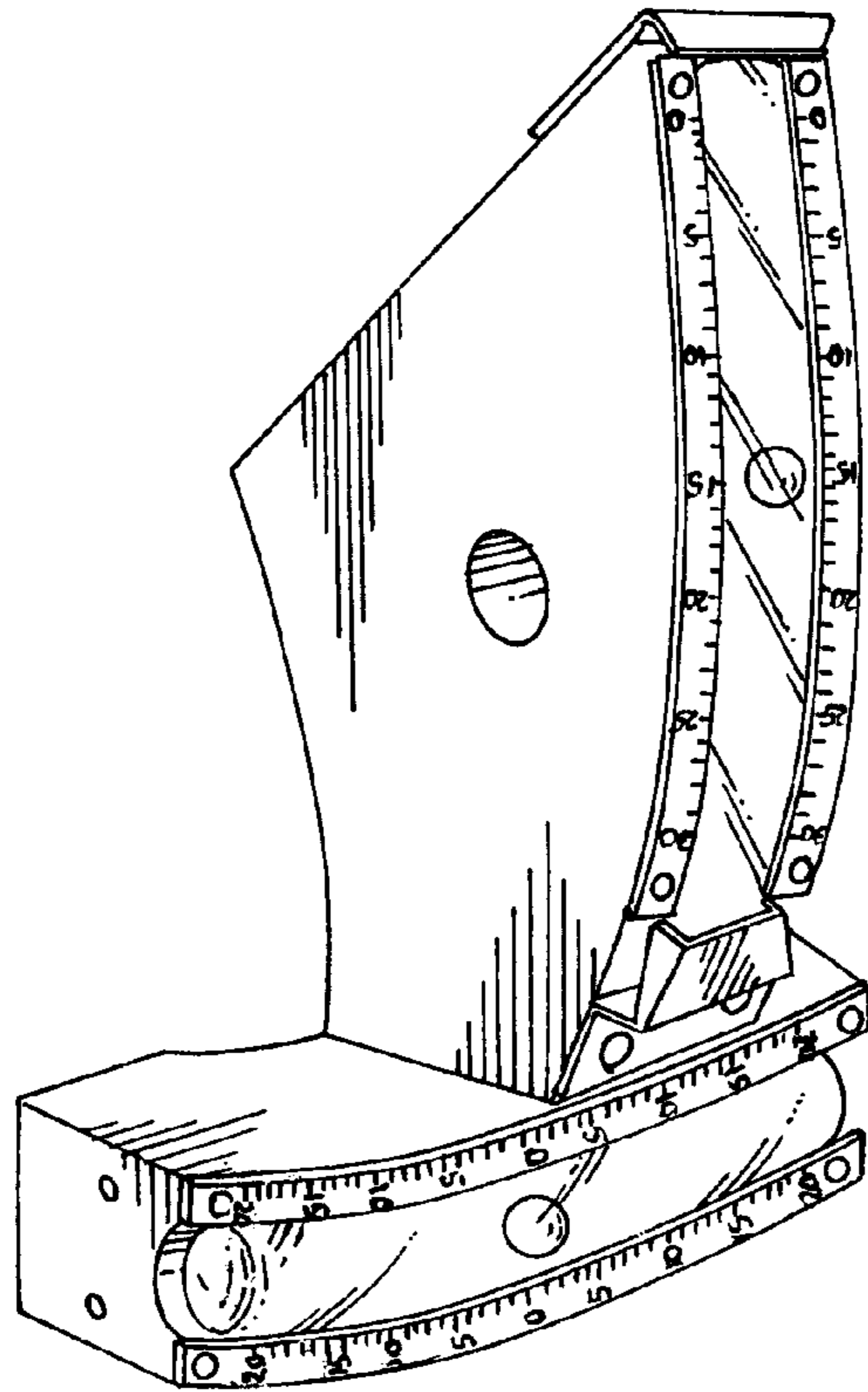


FIG. 1

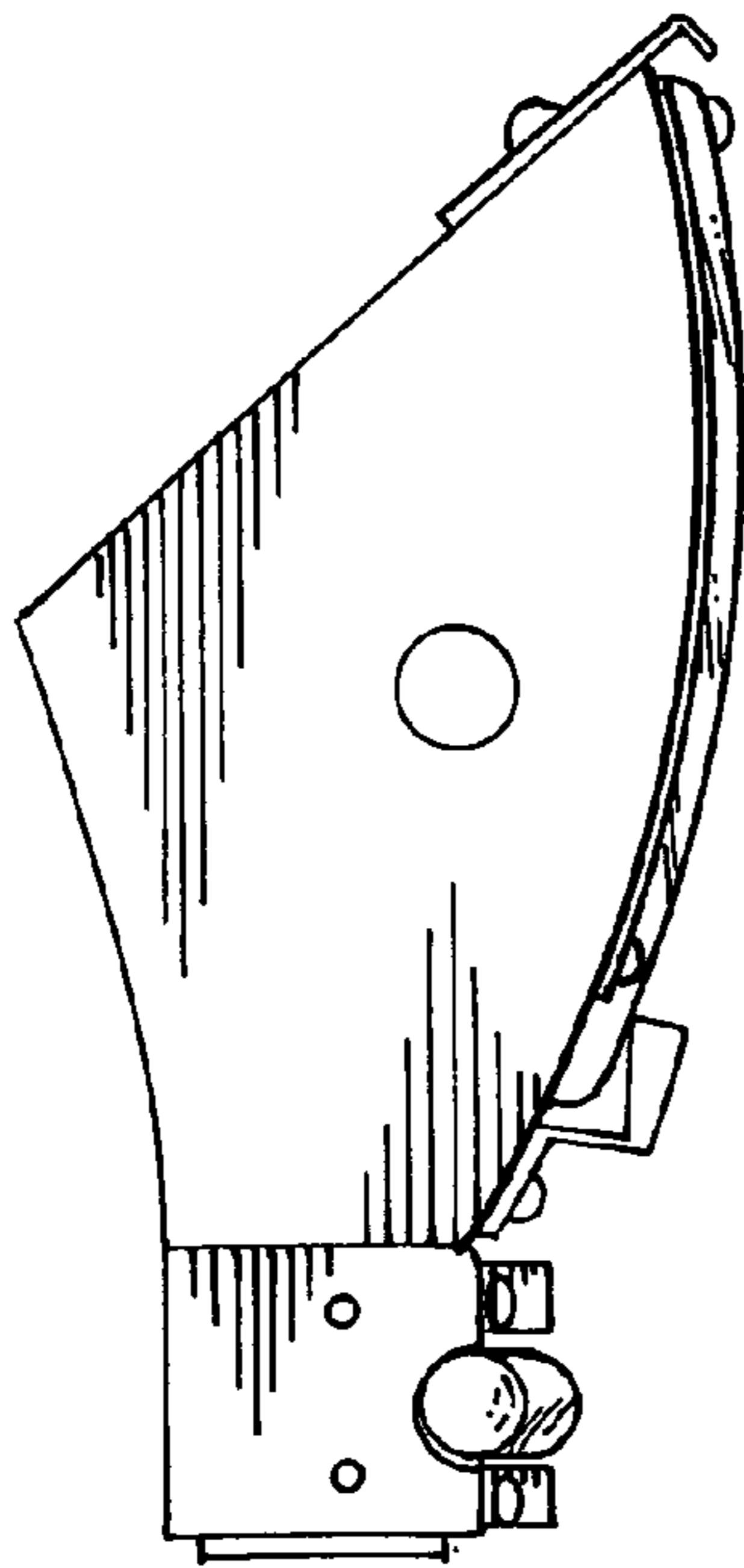


FIG. 2

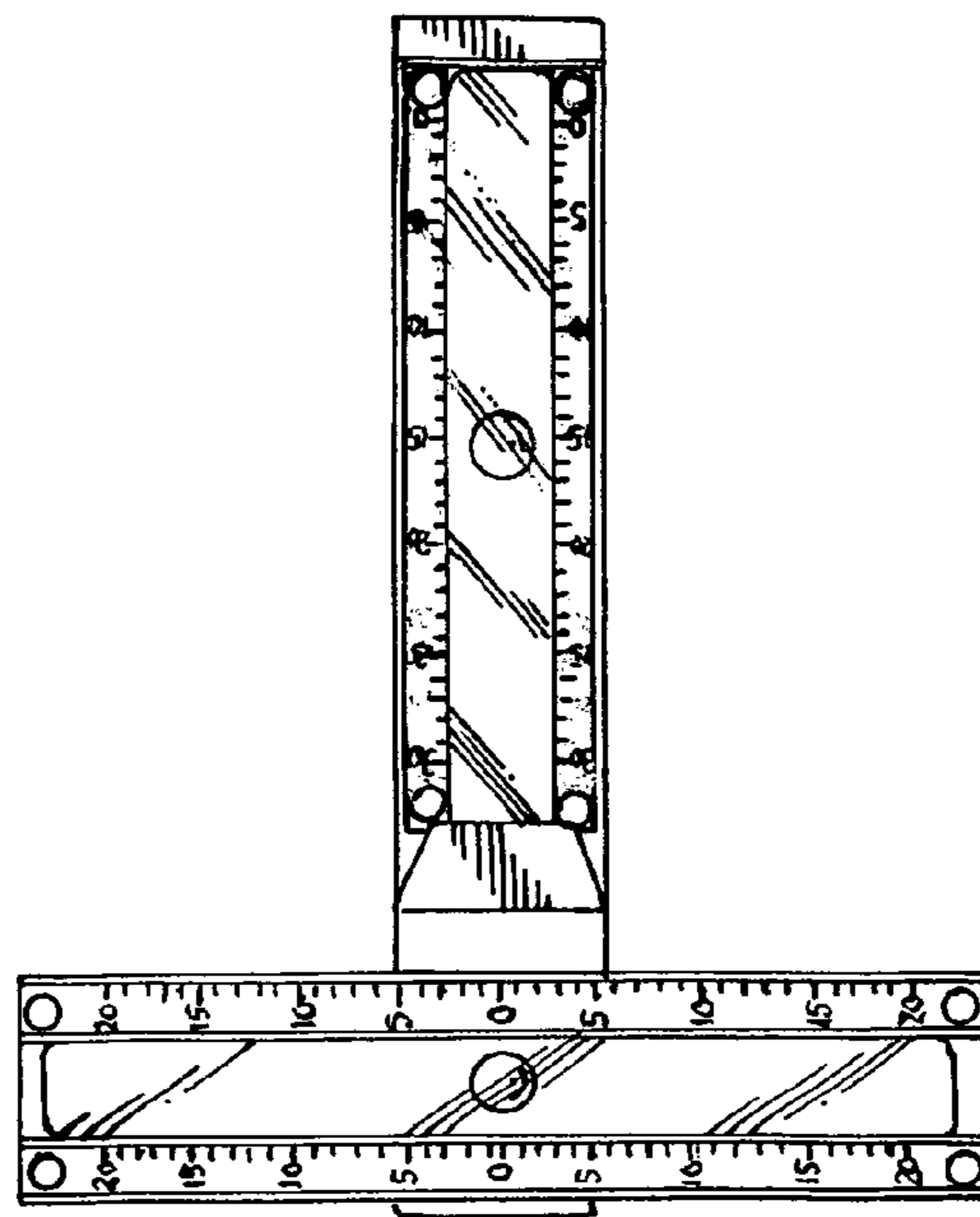


FIG. 3

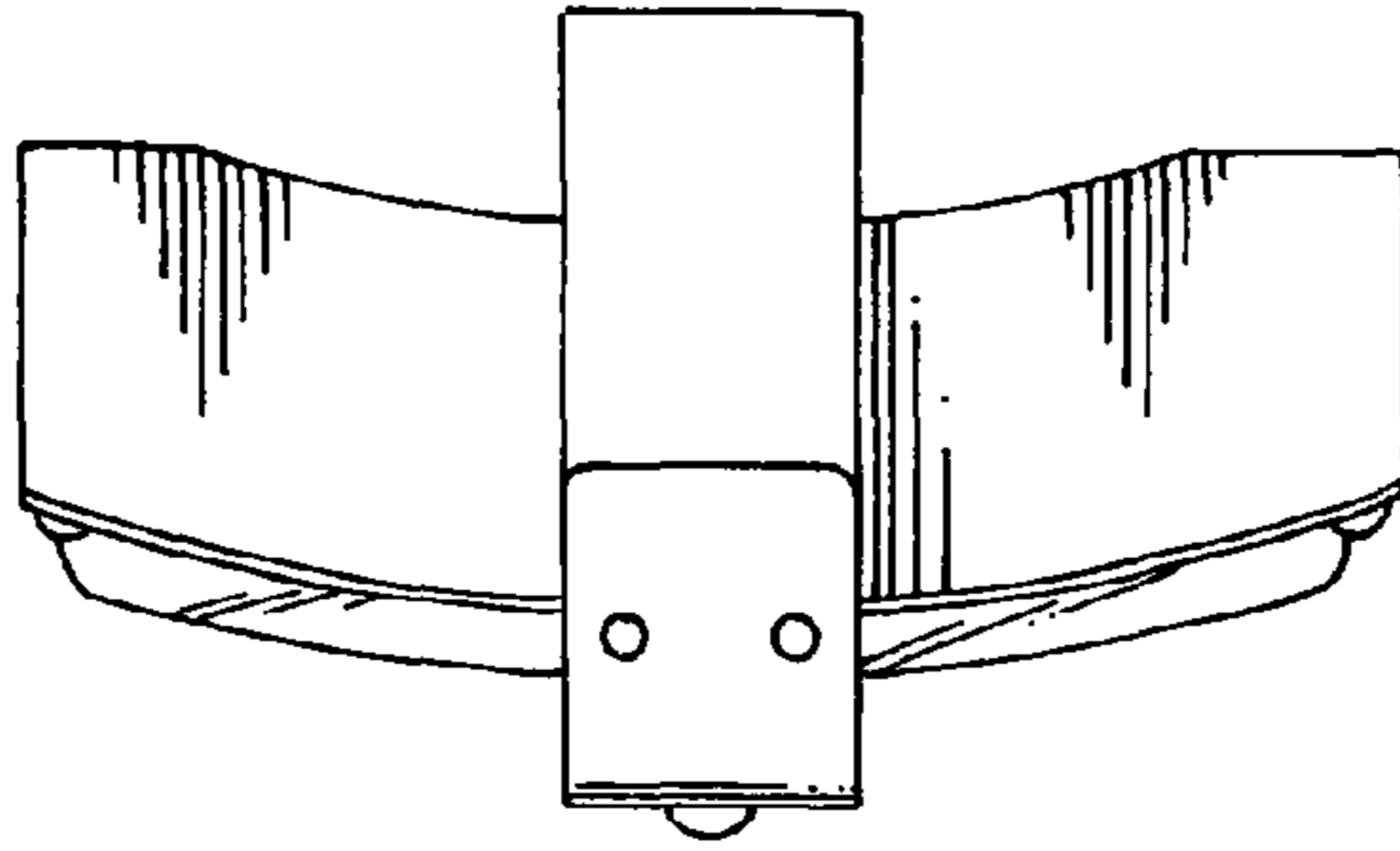


FIG. 4

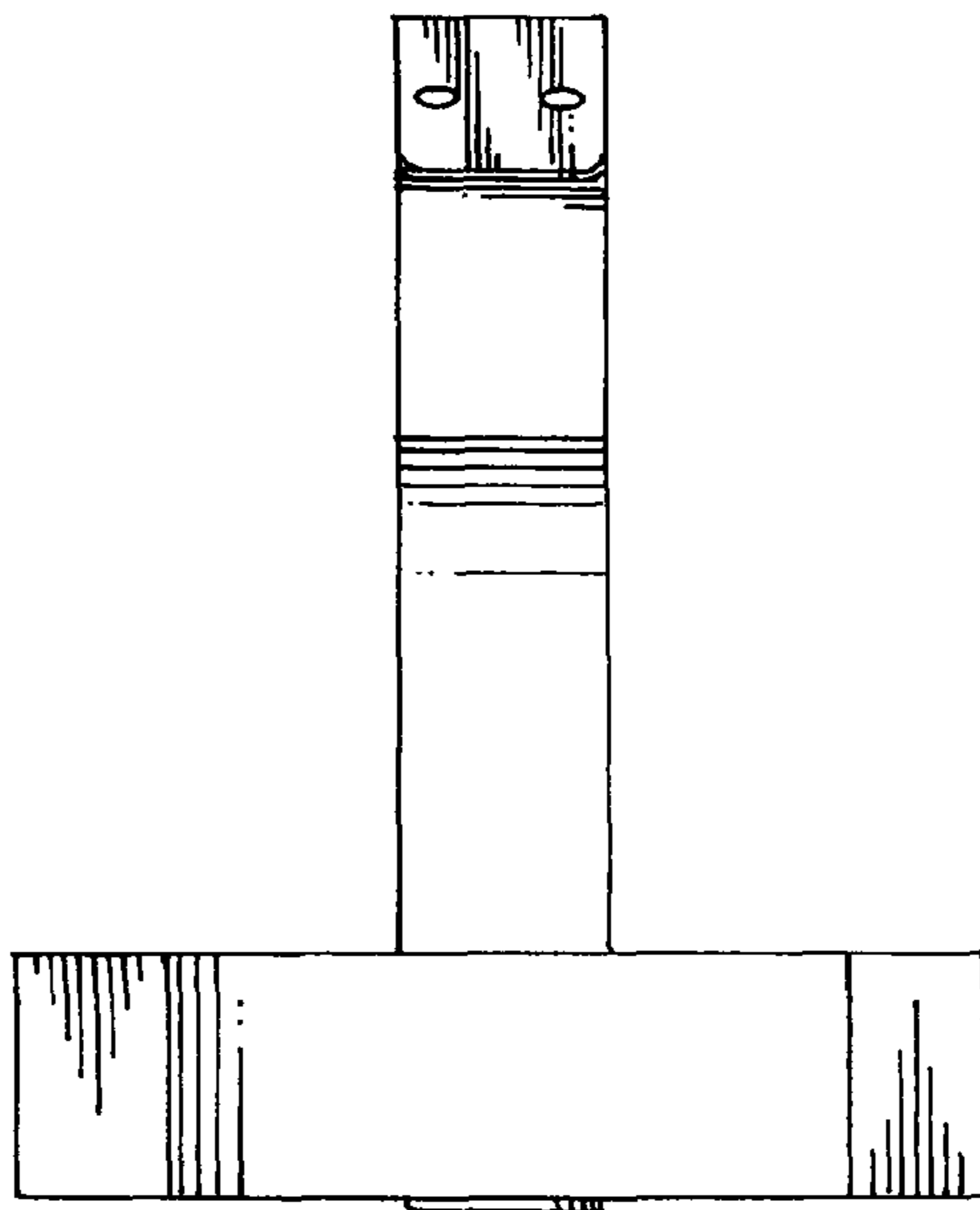


FIG. 5

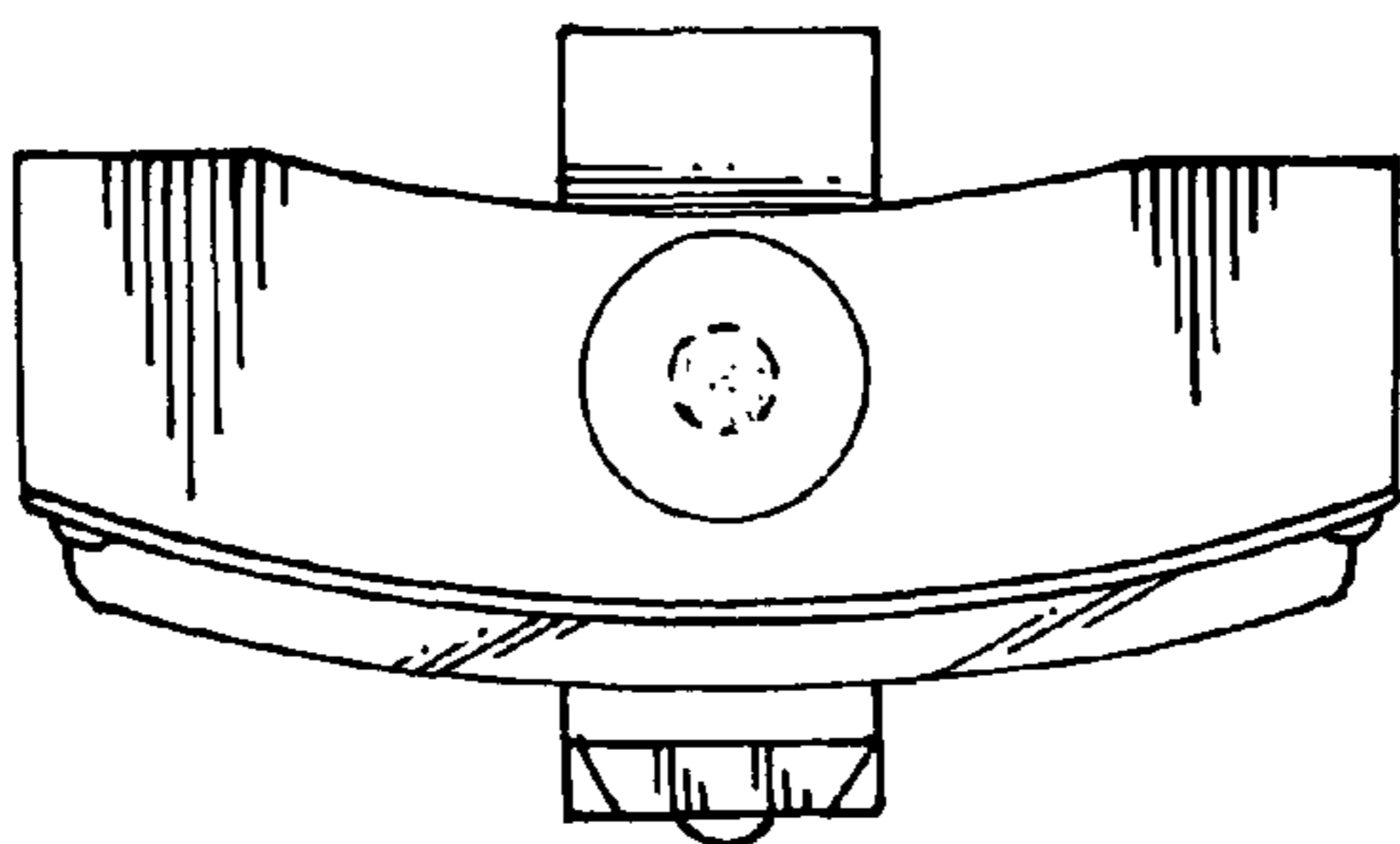


FIG. 6