



US00D641477S

(12) **United States Design Patent**
Boessneck et al.

(10) **Patent No.:** **US D641,477 S**
(45) **Date of Patent:** **** Jul. 12, 2011**

(54) **DEVICE FOR COUNTING PARTICLES IN BLOOD**

(75) Inventors: **Horst Boessneck**, Jena (DE); **Eugen Ermantraut**, Jena (DE); **Thomas Kaiser**, Hohlstedt (DE); **Torsten Schulz**, Jena (DE)

(73) Assignee: **Clondiag GmbH**, Jena (DE)

(**) Term: **14 Years**

(21) Appl. No.: **29/380,119**

(22) Filed: **Nov. 30, 2010**

Related U.S. Application Data

(62) Division of application No. 29/337,653, filed on May 27, 2009, now Pat. No. Des. 629,907.

(30) **Foreign Application Priority Data**

Nov. 27, 2008 (DE) 40 2008 005 769

(51) **LOC (9) Cl.** **24-01**

(52) **U.S. Cl.** **D24/169**

(58) **Field of Classification Search** D24/169,
D24/186, 216, 223; D10/81; 600/309, 316,
600/322, 365, 368

See application file for complete search history.

(56) **References Cited**

U.S. PATENT DOCUMENTS

D363,124	S	*	10/1995	Savage et al.	D24/169
D381,749	S	*	7/1997	Lawrence et al.	D24/169
D390,661	S	*	2/1998	Foggia	D24/169
D399,566	S	*	10/1998	Sohrab et al.	D24/169
D411,300	S	*	6/1999	Kellstedt et al.	D24/186
D424,956	S	*	5/2000	von Buelow et al.	D10/81
D459,812	S	*	7/2002	Ijiri	D24/169
D489,816	S	*	5/2004	Ross	D24/107
D496,732	S	*	9/2004	Nagai et al.	D24/169
D560,529	S	*	1/2008	Kaushal et al.	D10/81
D564,379	S	*	3/2008	Kaushal et al.	D10/81
D597,216	S	*	7/2009	McGuigan et al.	D24/216

* cited by examiner

Primary Examiner — T. Chase Nelson

Assistant Examiner — Anhdao Doan

(74) *Attorney, Agent, or Firm* — Steptoe & Johnson LLP

(57) **CLAIM**

The ornamental design for a device for counting particles in blood, as shown and described.

DESCRIPTION

FIG. 1 is a perspective view, showing the top, front, and side of a device for counting particles in blood in a lid-open configuration;

FIG. 2 is a perspective view, showing the top, rear, and side of the device of FIG. 1 in a lid-open configuration;

FIG. 3 is a top view of the device of FIGS. 1-2 in a lid-open configuration;

FIG. 4 is a front view of the device of FIGS. 1-3 in a lid-open configuration;

FIG. 5 is a rear view of the device of FIGS. 1-4 in a lid-open configuration;

FIG. 6 is a bottom view of the device of FIGS. 1-5 in a lid-open configuration;

FIG. 7 is a side view of the device of FIGS. 1-6 in a lid-open configuration;

FIG. 8 is a perspective view, showing the top, front, and side of a device for counting particles in blood in a lid-closed configuration;

FIG. 9 is a perspective view, showing the top, rear, and side of the device of FIGS. 1-8 in a lid-closed configuration;

FIG. 10 is a top view of the device of FIGS. 1-9 in a lid-closed configuration;

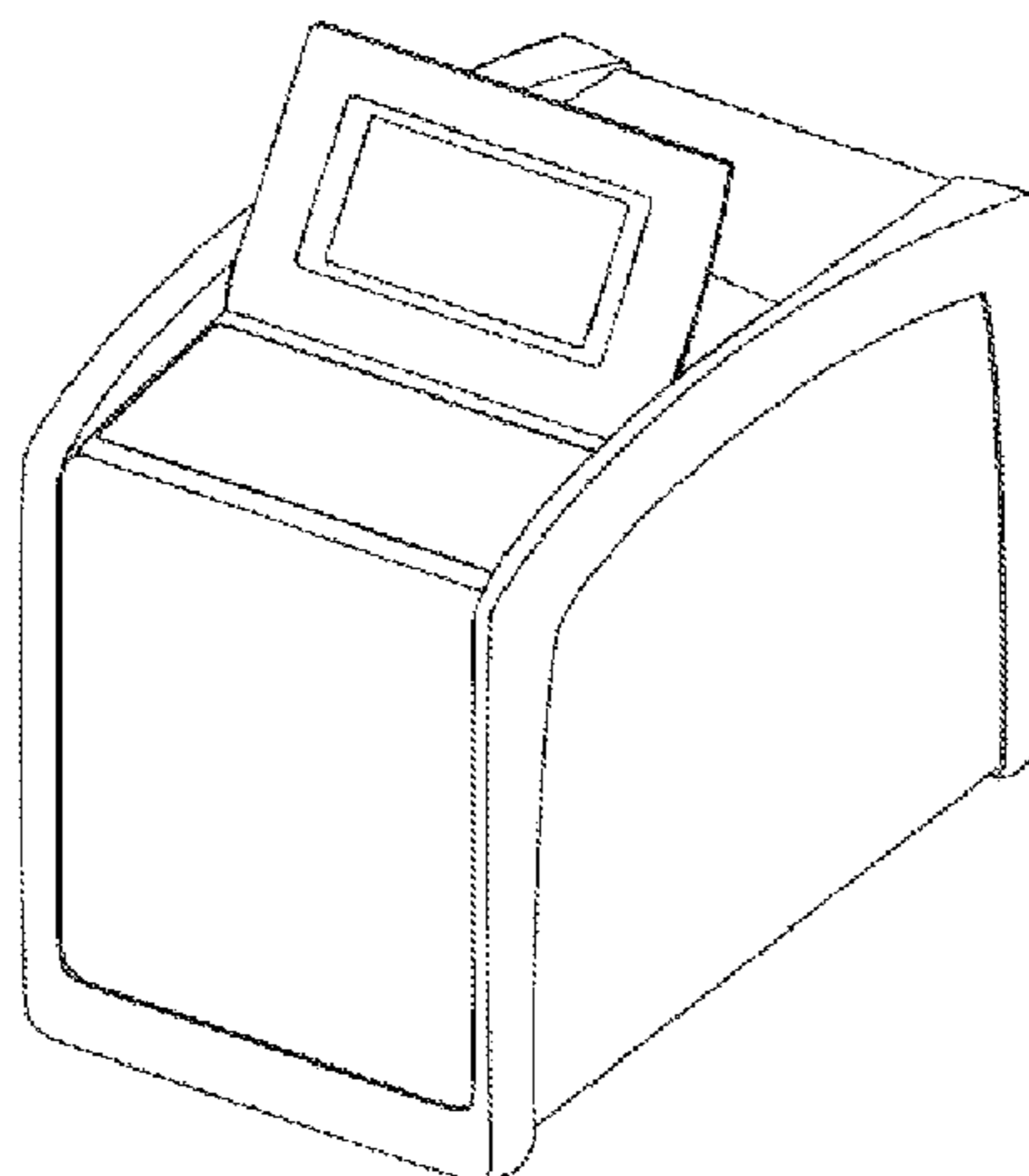
FIG. 11 is a front view of the device of FIGS. 1-10 in a lid-closed configuration;

FIG. 12 is a rear view of the device of FIGS. 1-11 in a lid-closed configuration;

FIG. 13 is a bottom view of the device of FIGS. 1-12 in a lid-closed configuration; and,

FIG. 14 is a side view of the device of FIGS. 1-13 in a lid-closed configuration.

1 Claim, 6 Drawing Sheets



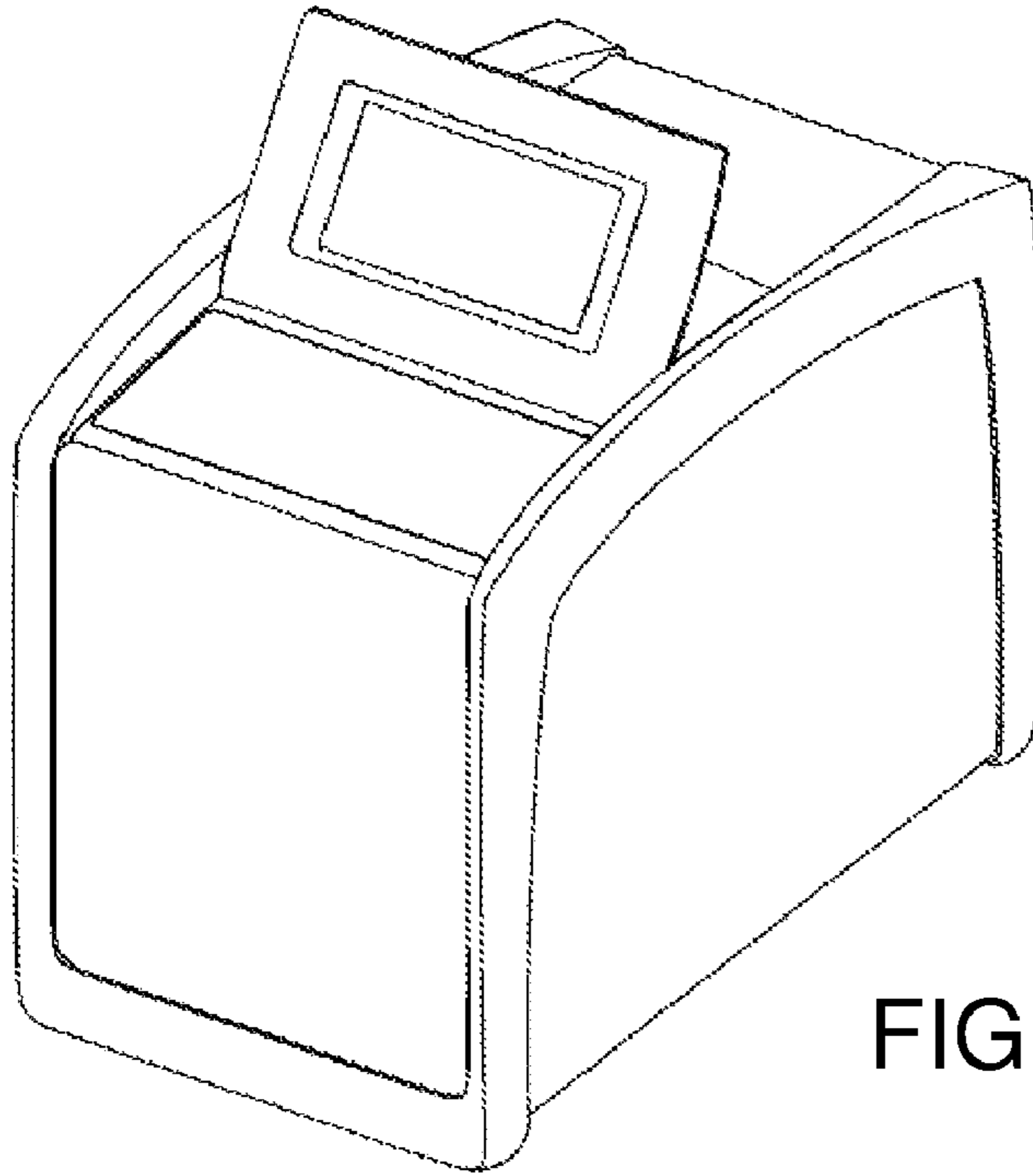


FIG. 1

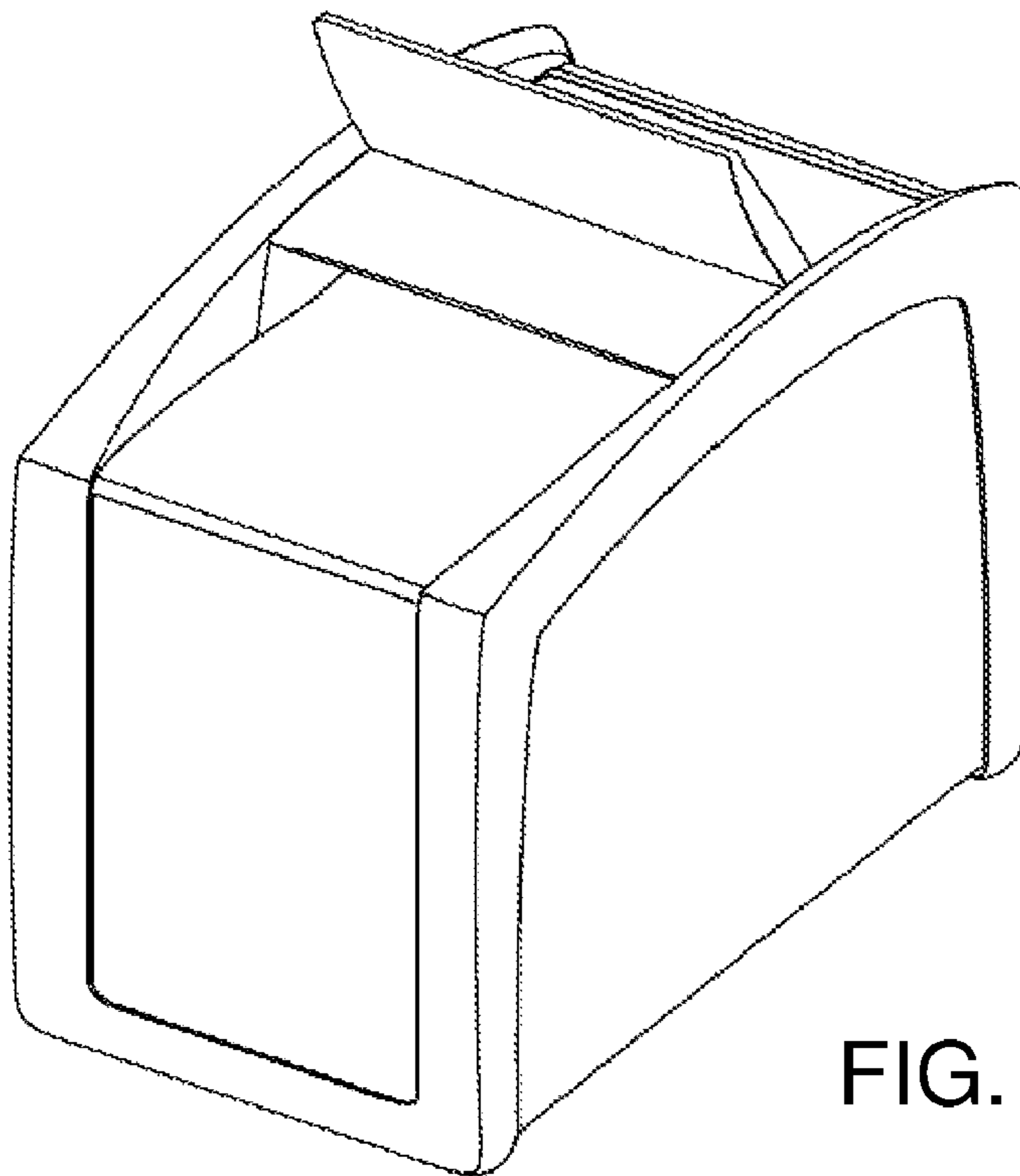


FIG. 2

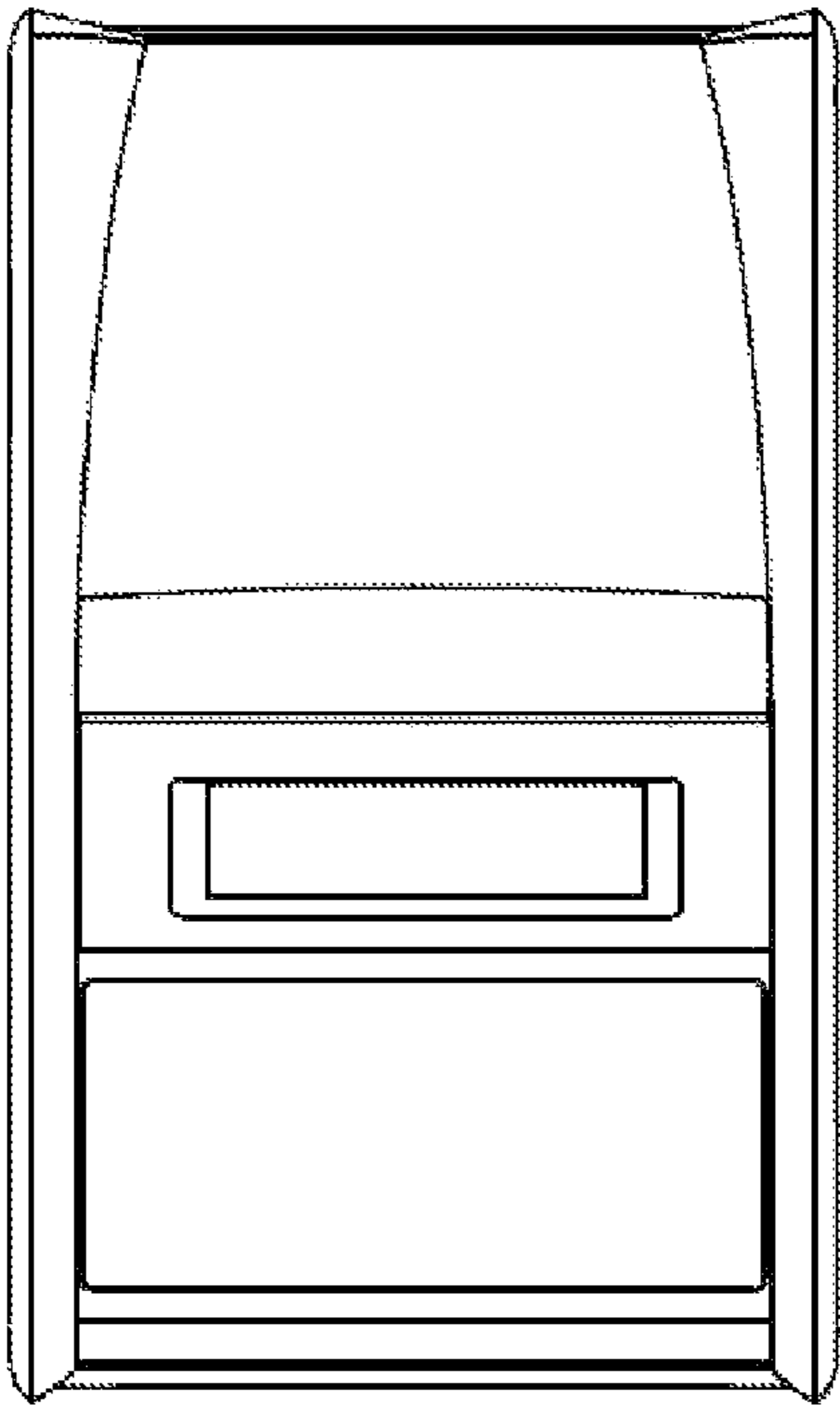


FIG. 3

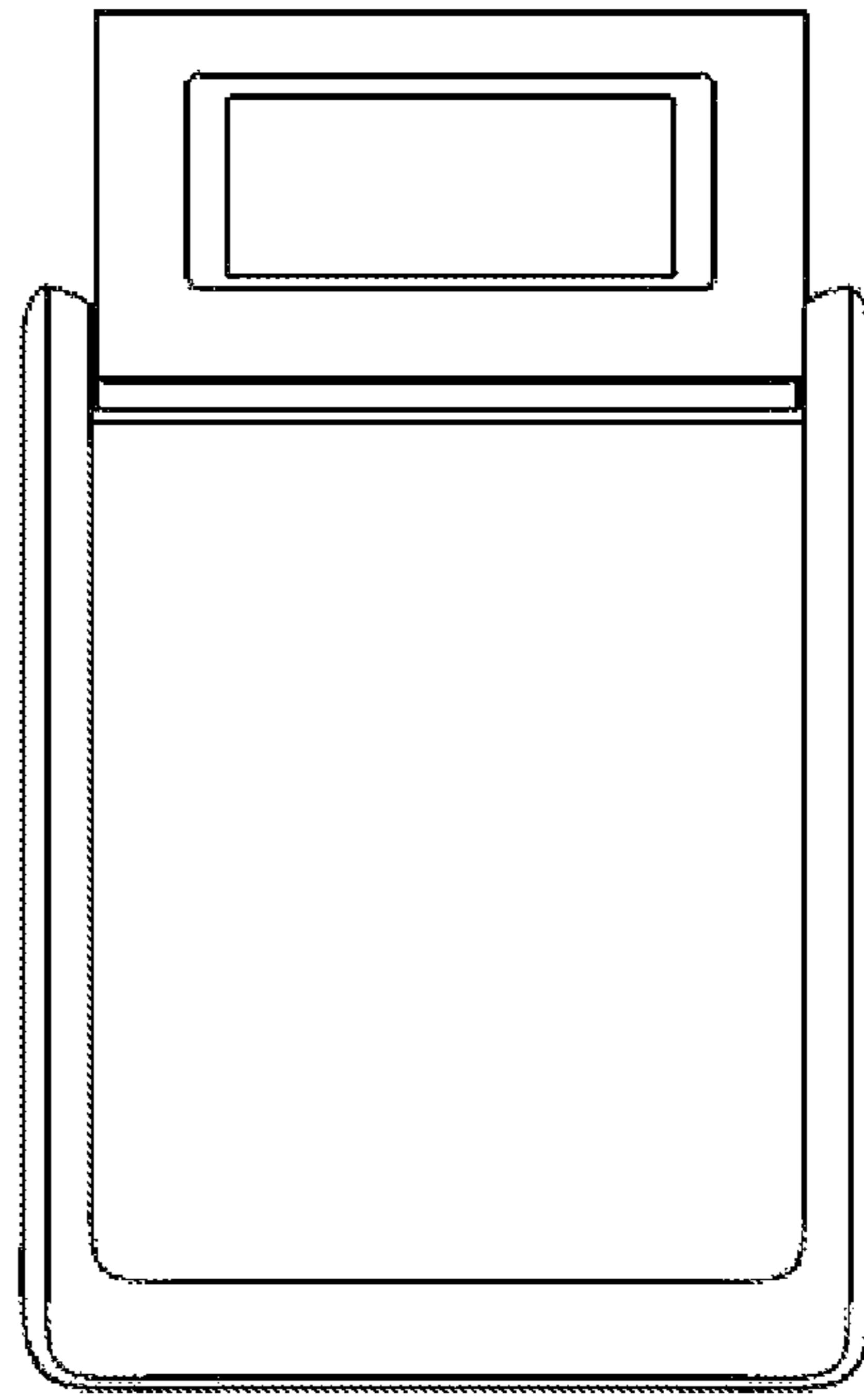


FIG. 4

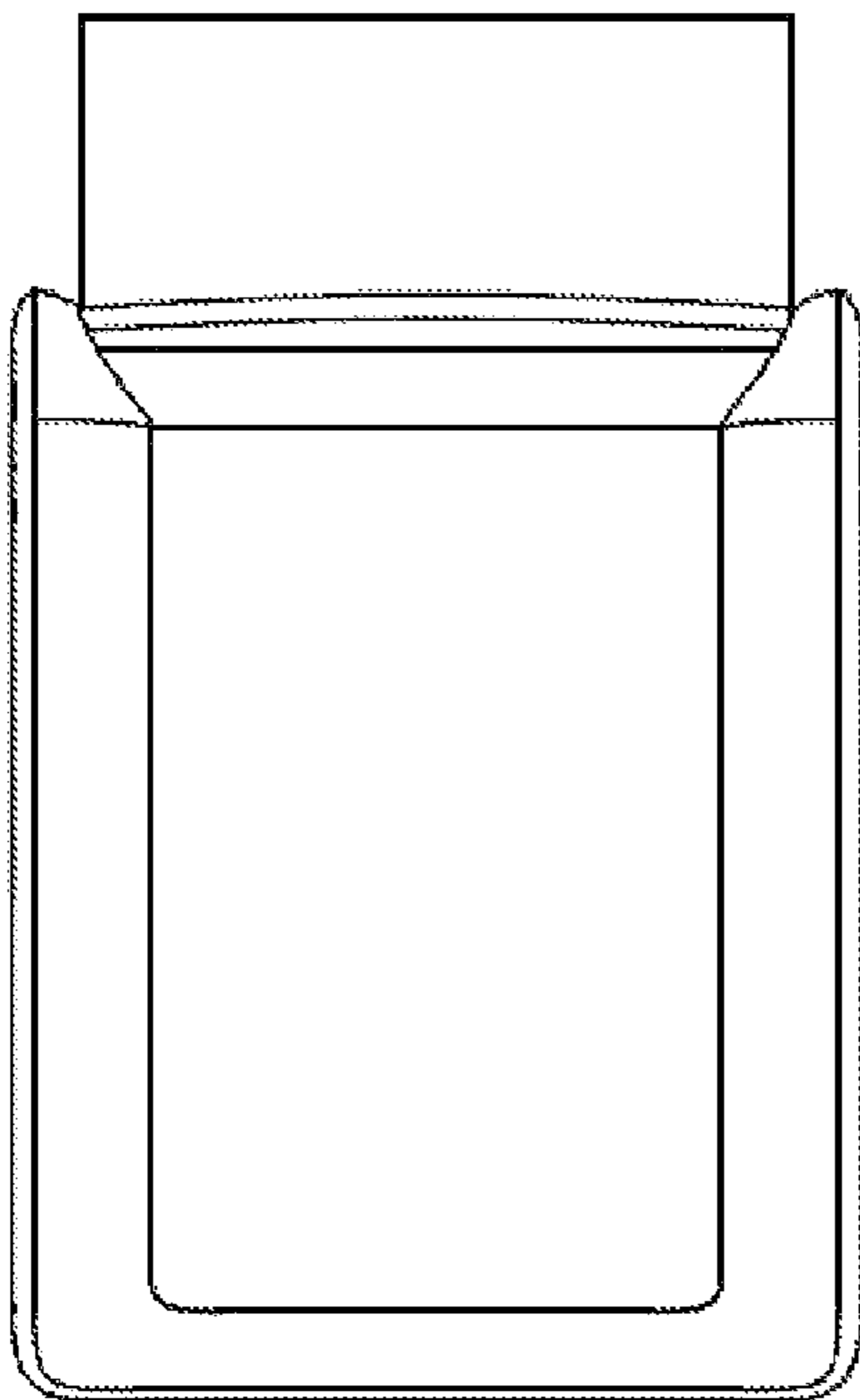


FIG. 5

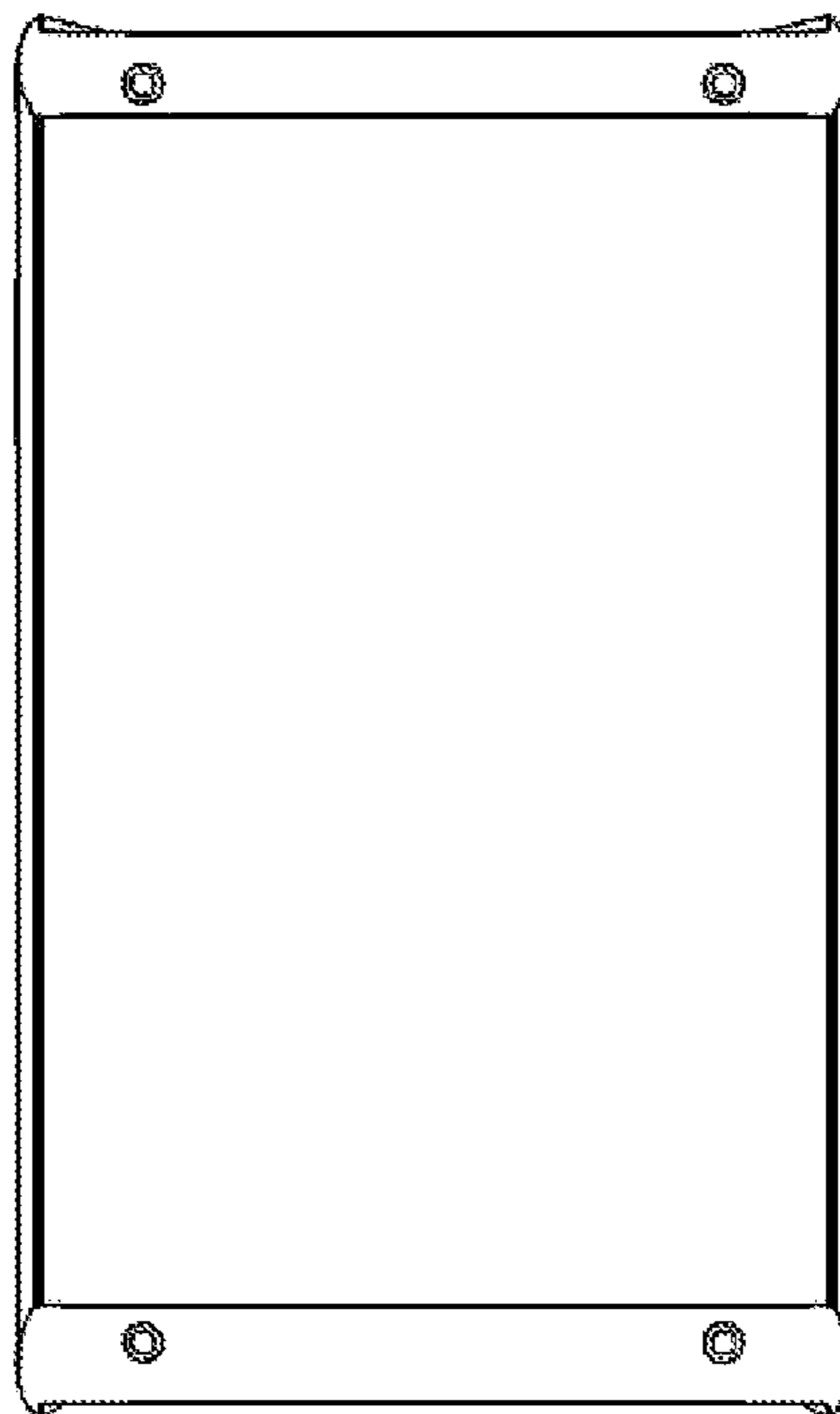


FIG. 6

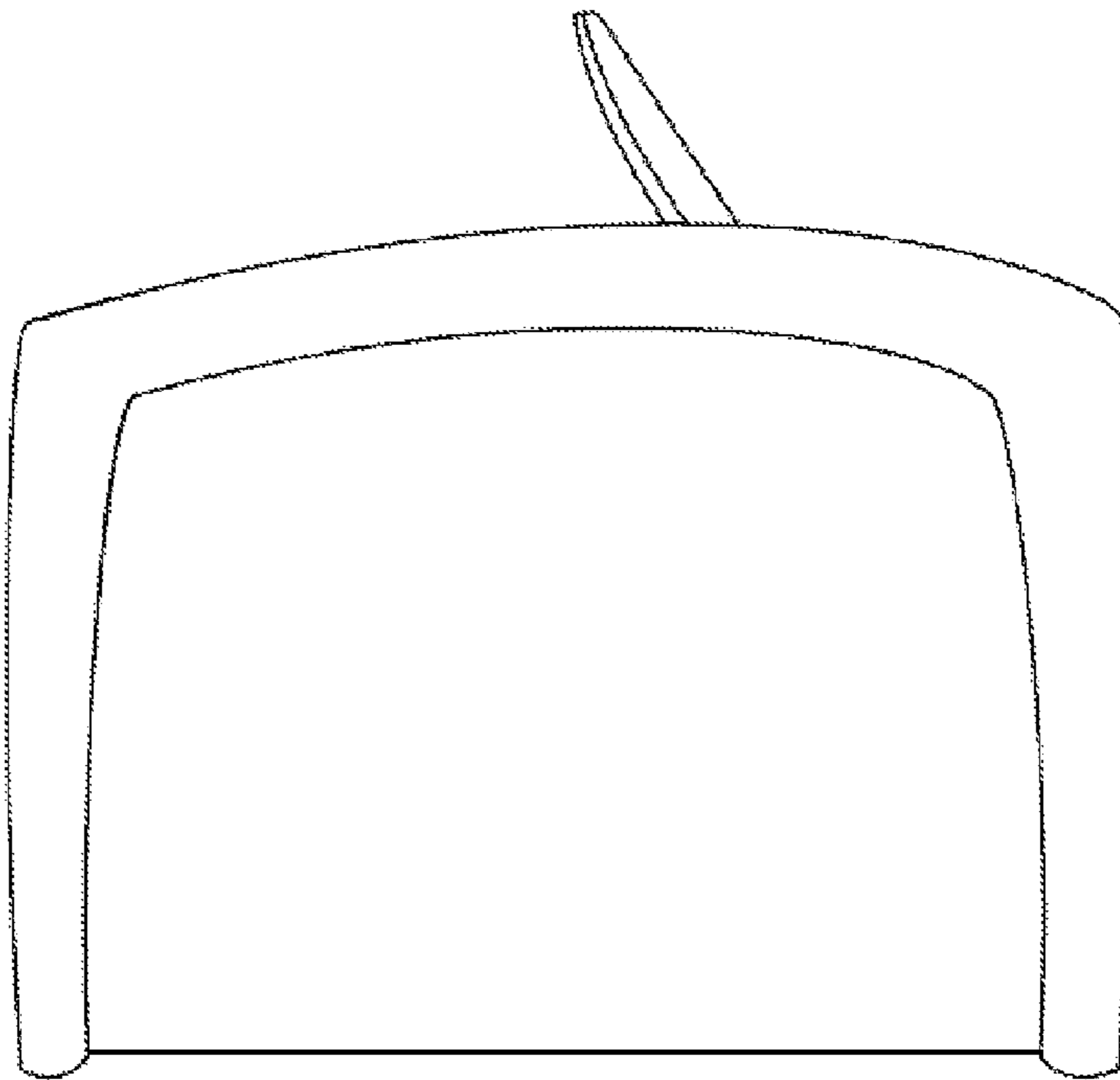


FIG. 7

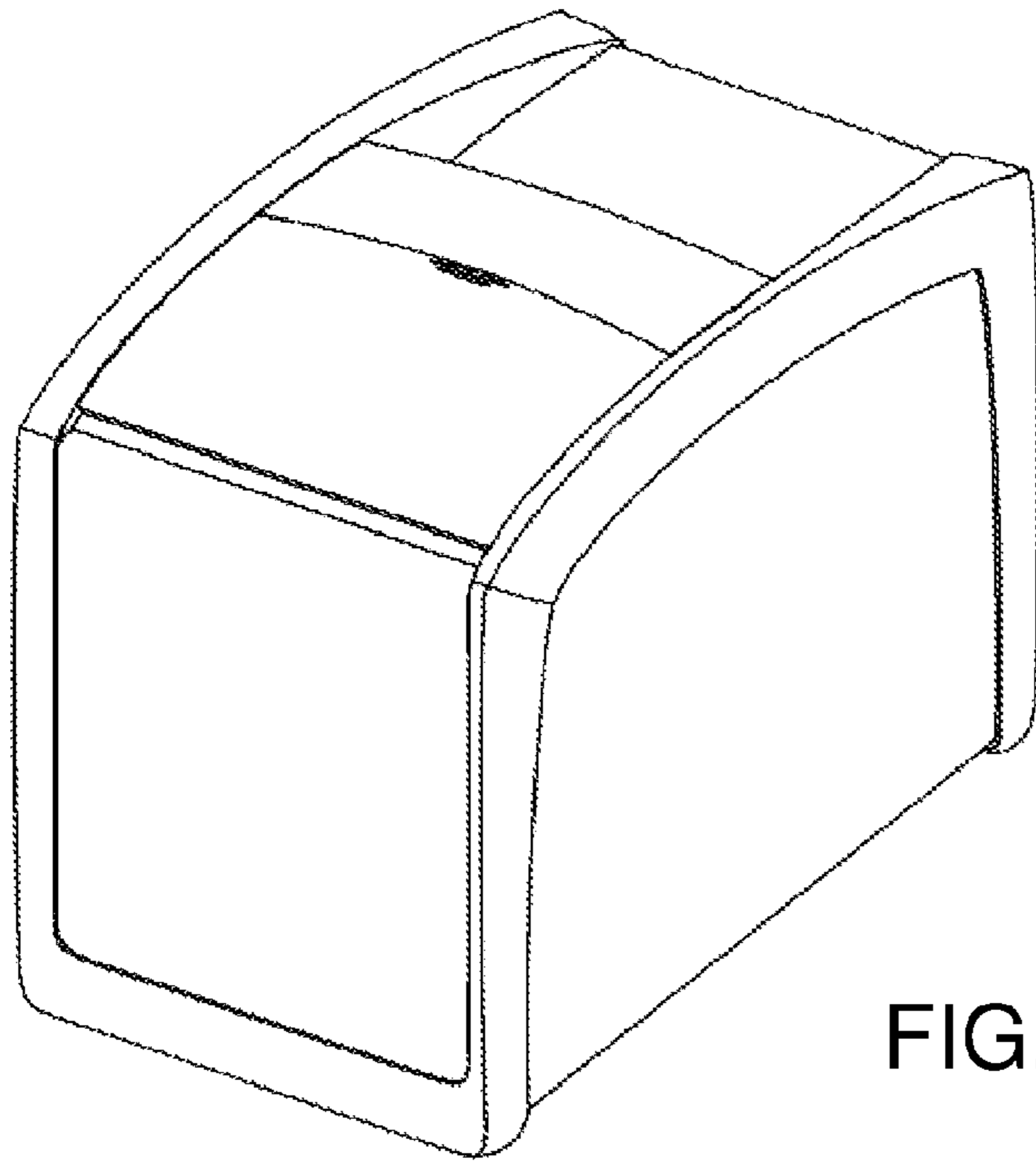


FIG. 8

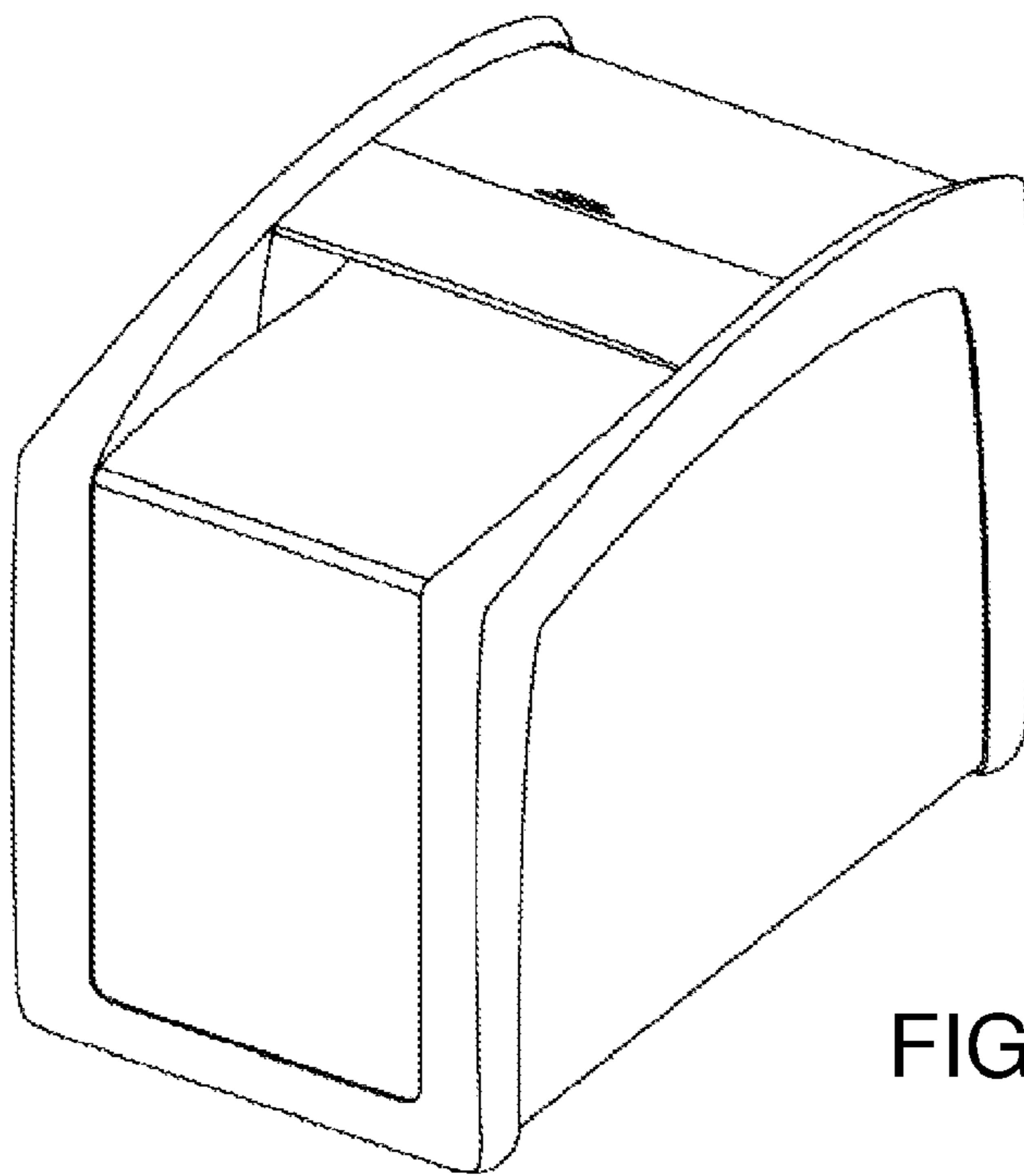


FIG. 9

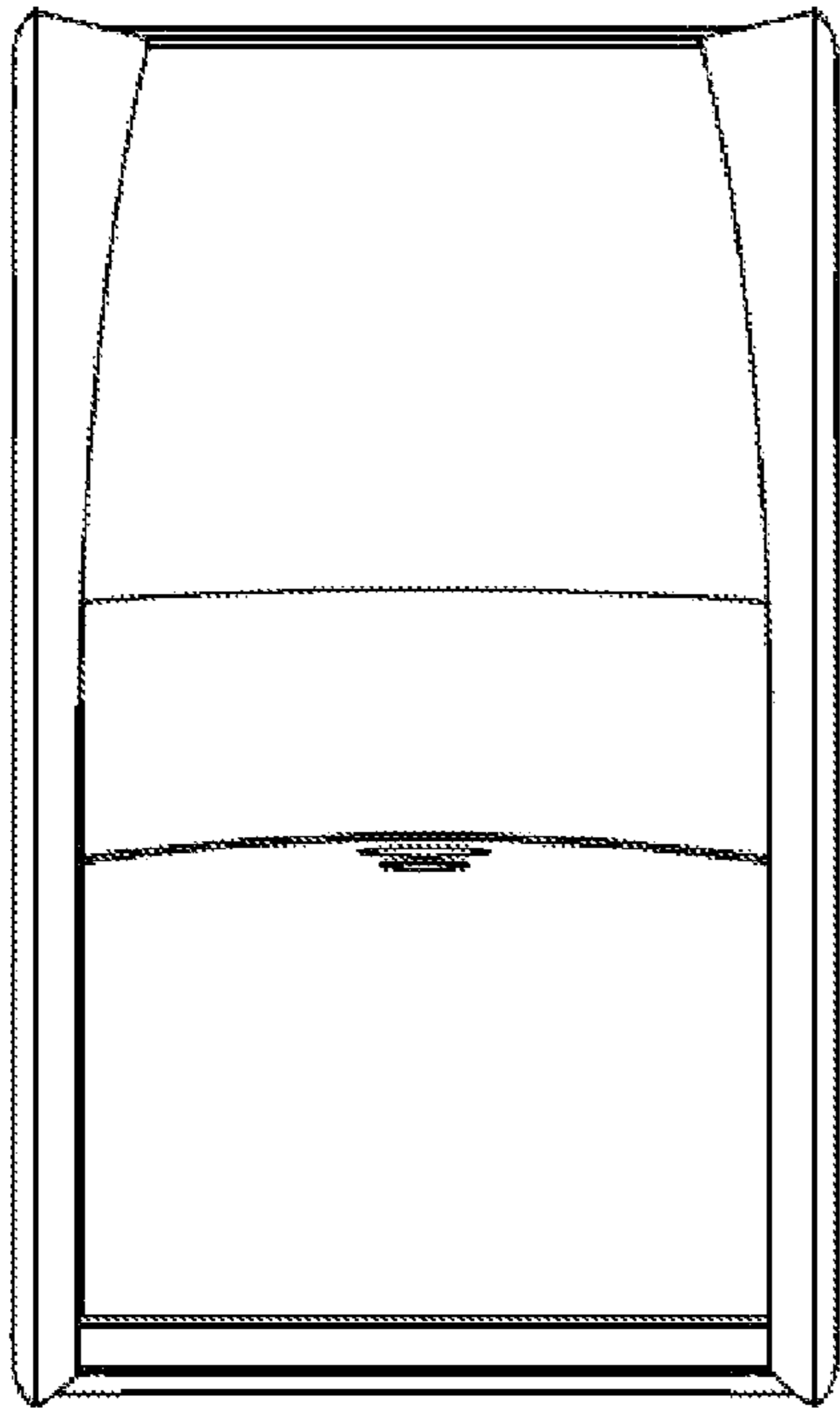


FIG. 10

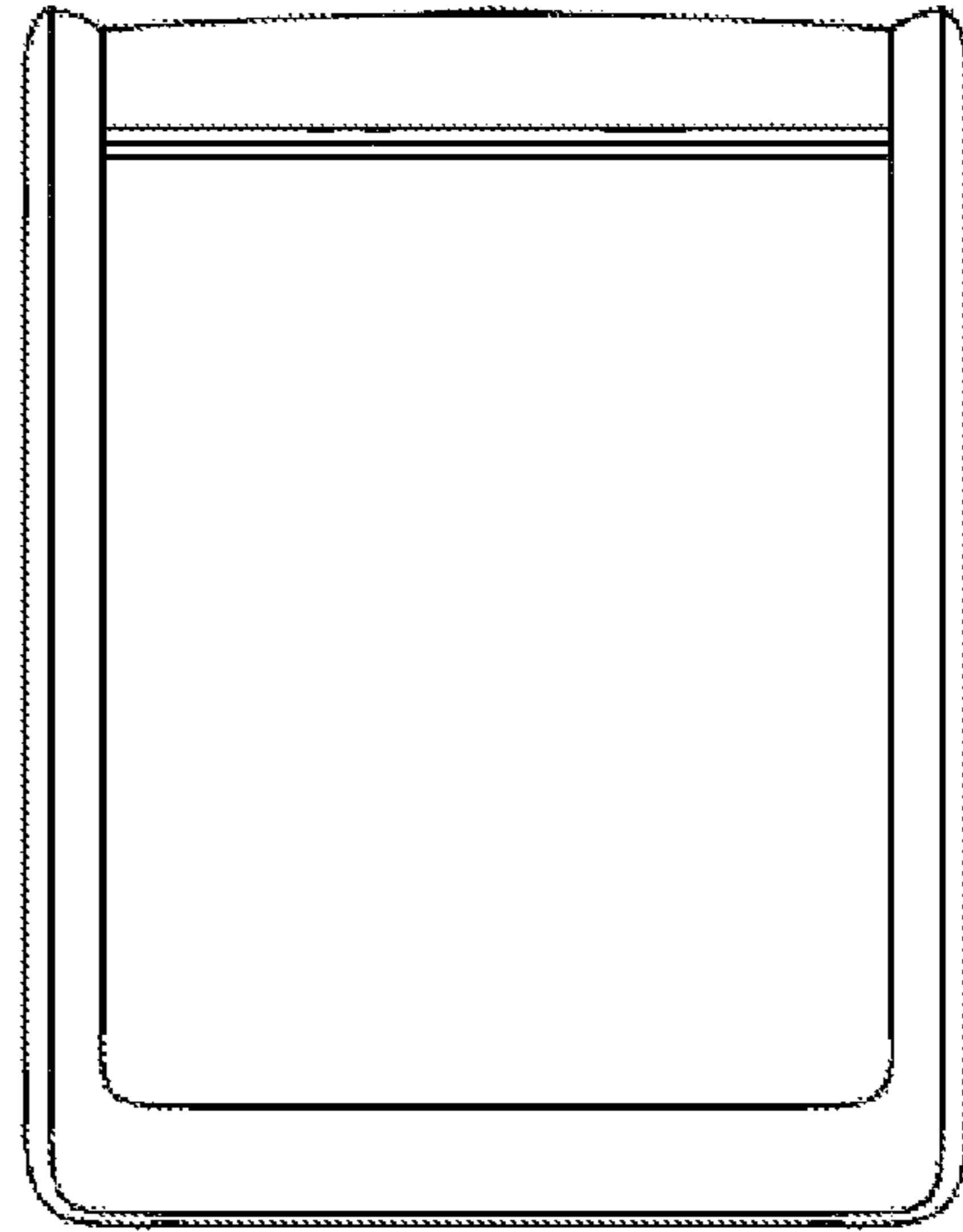


FIG. 11

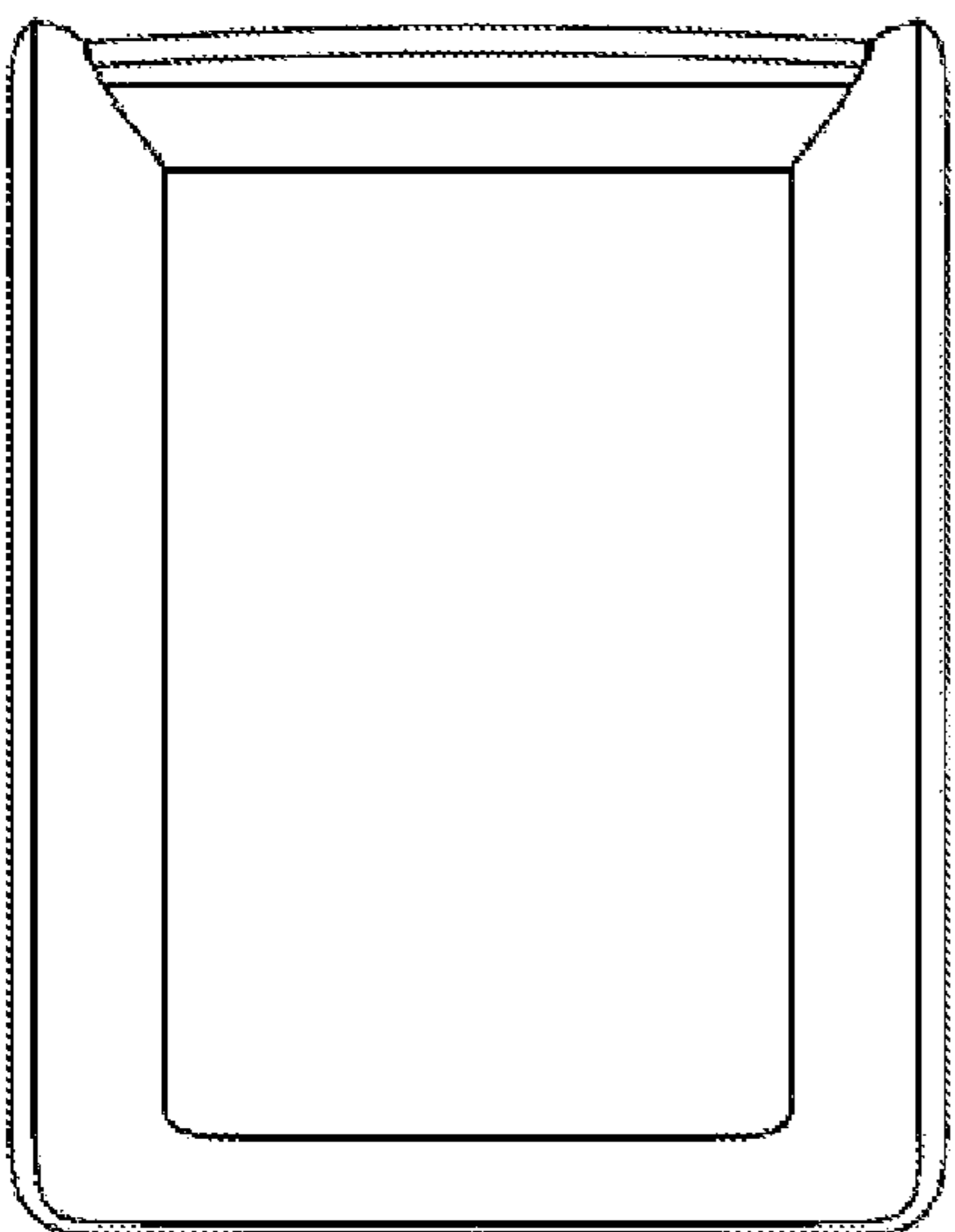


FIG. 12

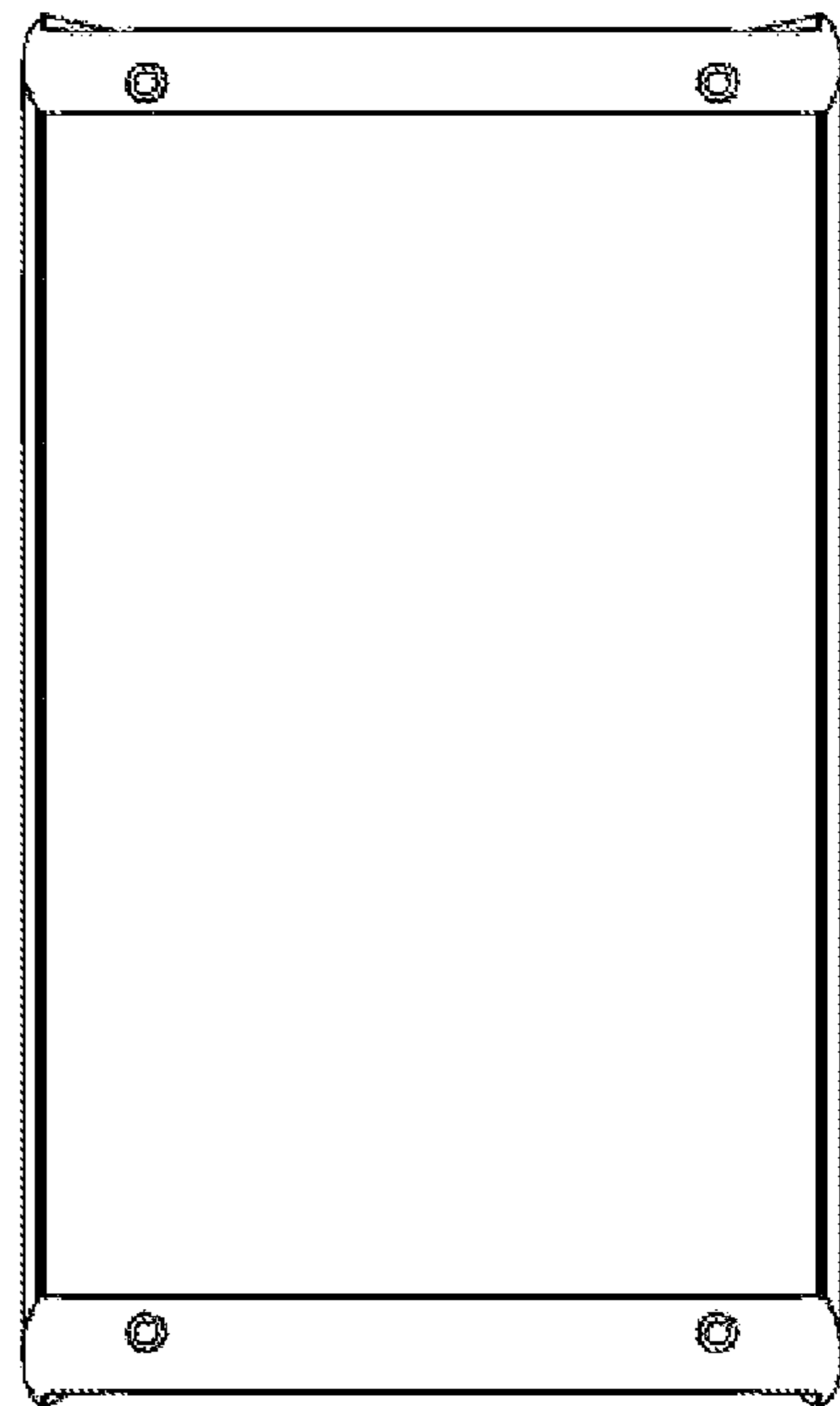


FIG. 13

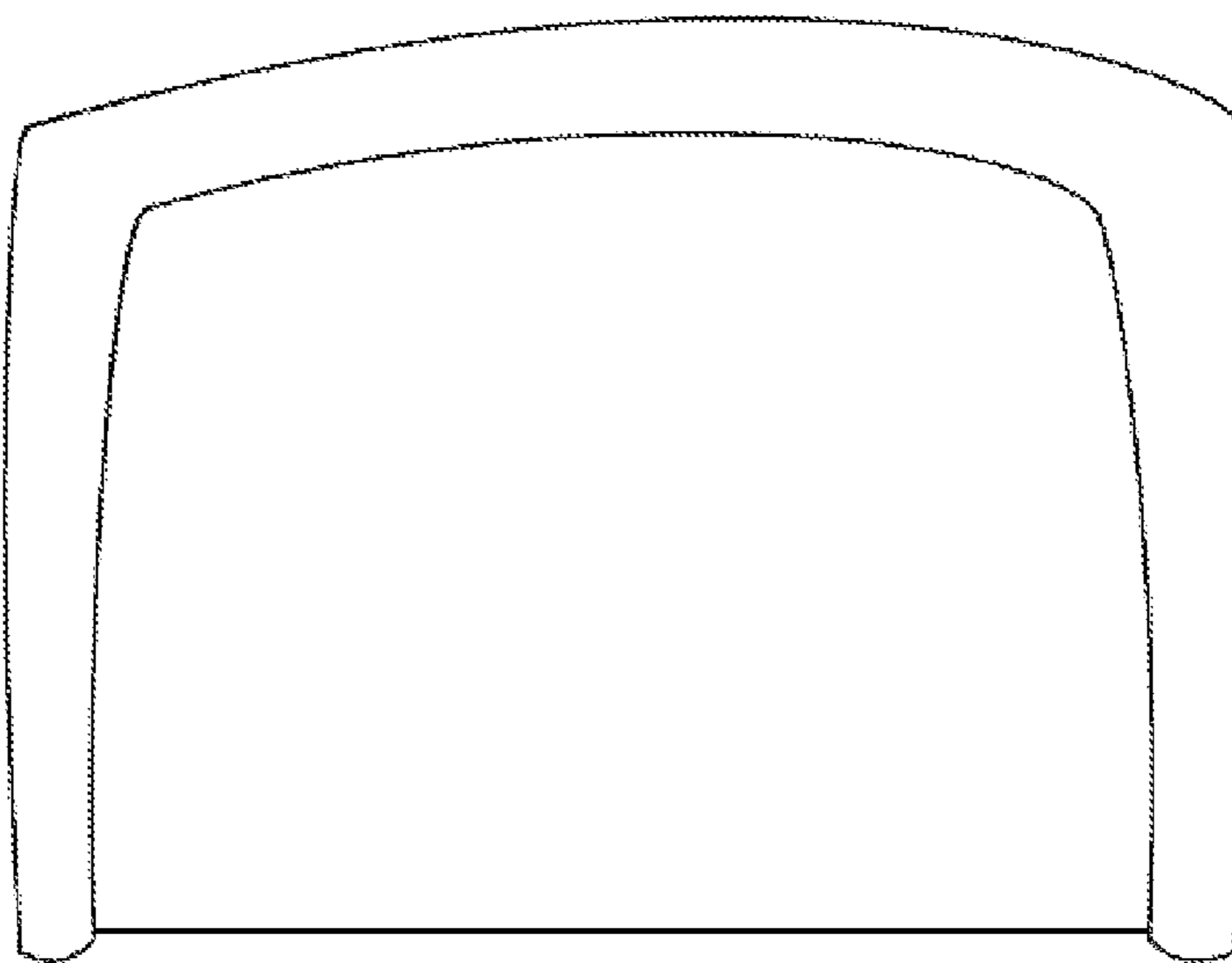


FIG. 14