



US00D641474S

(12) **United States Design Patent**  
**Graham**

(10) **Patent No.:** **US D641,474 S**

(45) **Date of Patent:** **\*\* Jul. 12, 2011**

(54) **WAVE PLATE**

(76) **Inventor:** **Thomas J. Graham**, Baltimore, MD  
(US)

(\*\*) **Term:** **14 Years**

(21) **Appl. No.:** **29/362,716**

(22) **Filed:** **May 28, 2010**

(51) **LOC (9) Cl.** ..... **24-03**

(52) **U.S. Cl.** ..... **D24/155**

(58) **Field of Classification Search** ..... D24/155-157;  
606/60, 61, 73, 95, 213, 246, 248, 249; 623/17.11,  
623/17.12, 17.13, 17.14, 17.15, 17.16, 23.61,  
623/23.56, 247, 213

See application file for complete search history.

(56) **References Cited**

**U.S. PATENT DOCUMENTS**

D3,574 S *	7/1869	Benedict	.....	D8/400
4,781,183 A *	11/1988	Casey et al.	.....	606/76
D479,331 S *	9/2003	Pike et al.	.....	D24/155
D583,053 S *	12/2008	Zhukauskas et al.	.....	D24/155
D597,209 S *	7/2009	Boulot	.....	D24/155

D605,768 S *	12/2009	Zhukauskas et al.	.....	D24/155
D625,016 S *	10/2010	Potts et al.	.....	D24/187
2005/0159812 A1 *	7/2005	Dinger et al.	.....	623/13.14

\* cited by examiner

*Primary Examiner* — Ian Simmons

*Assistant Examiner* — Charles Hanson

(74) *Attorney, Agent, or Firm* — Tarolli, Sundheim, Covell & Tummino LLP

(57) **CLAIM**

The ornamental design for a wave plate, as shown and described.

**DESCRIPTION**

FIG. 1 is a perspective view of the wave plate of the instant invention;

FIG. 2 is a right side plane view thereof;

FIG. 3 is a left side plane view thereof;

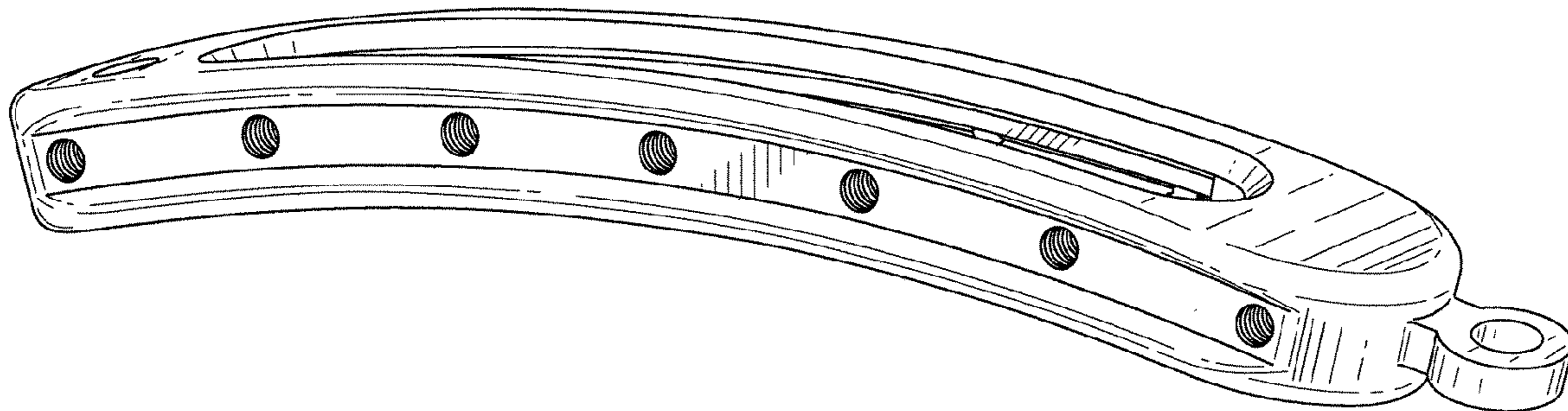
FIG. 4 is a top plane view thereof;

FIG. 5 is a bottom plane view thereof;

FIG. 6 is a front end view thereof; and,

FIG. 7 is a rear end view thereof.

**1 Claim, 4 Drawing Sheets**



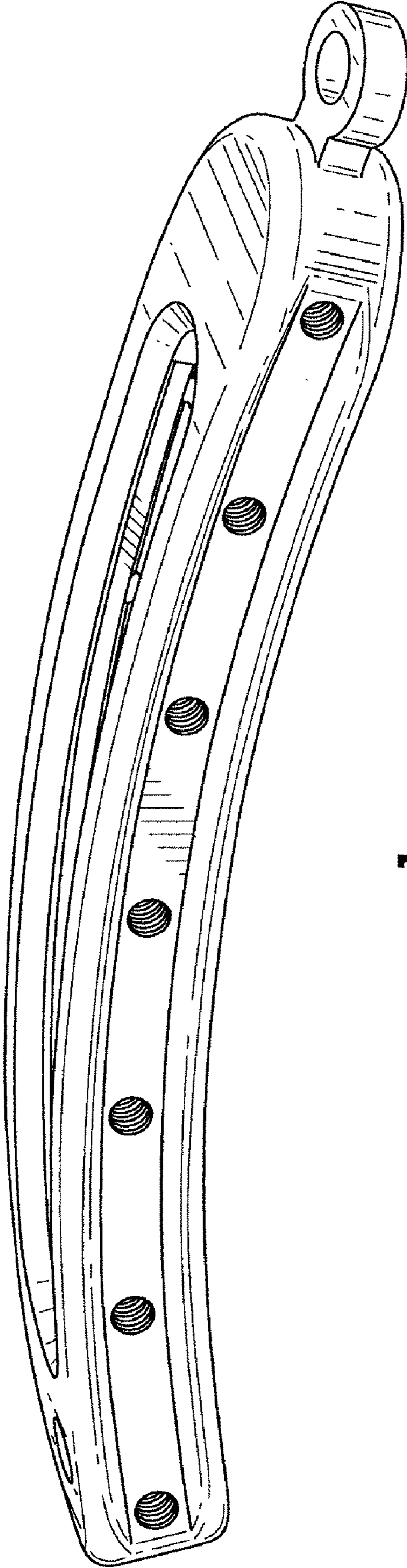


FIG. 1

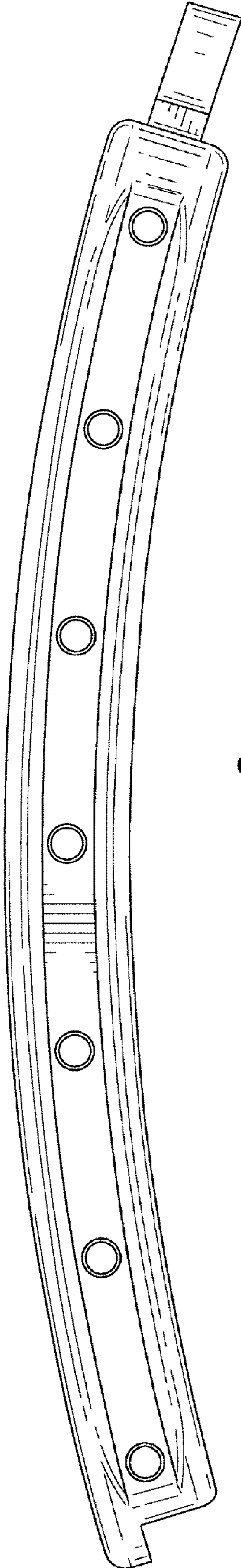


FIG. 2

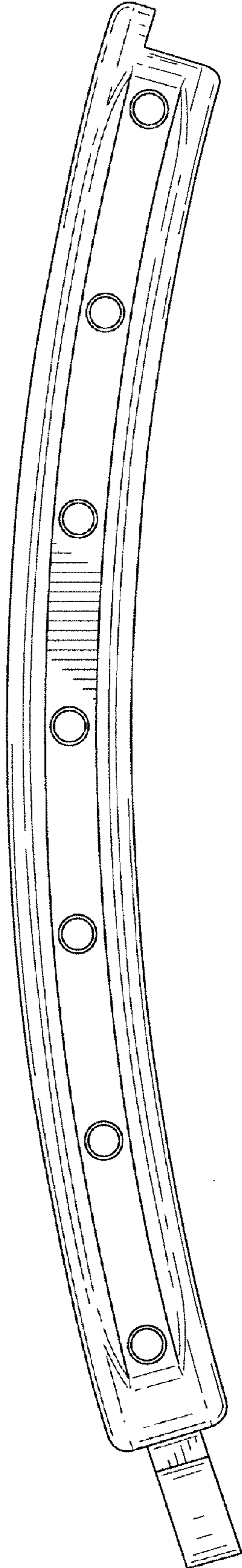


FIG. 3

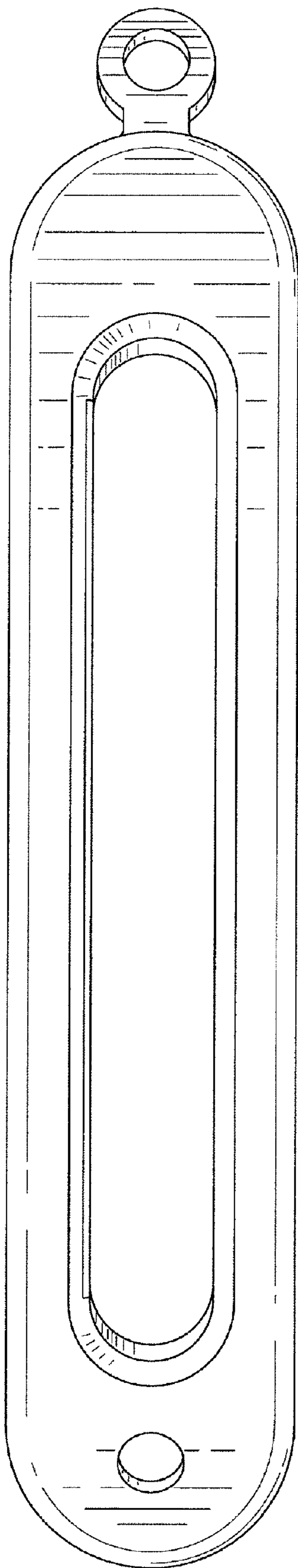


FIG. 4

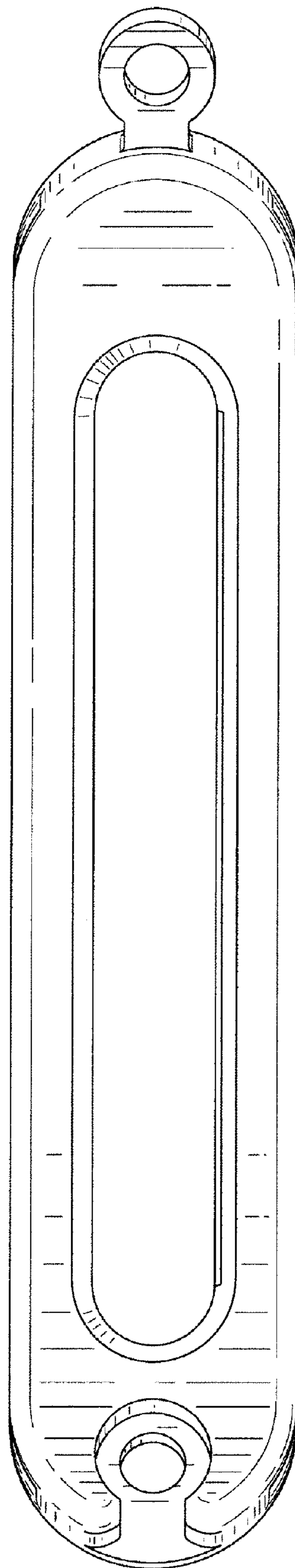
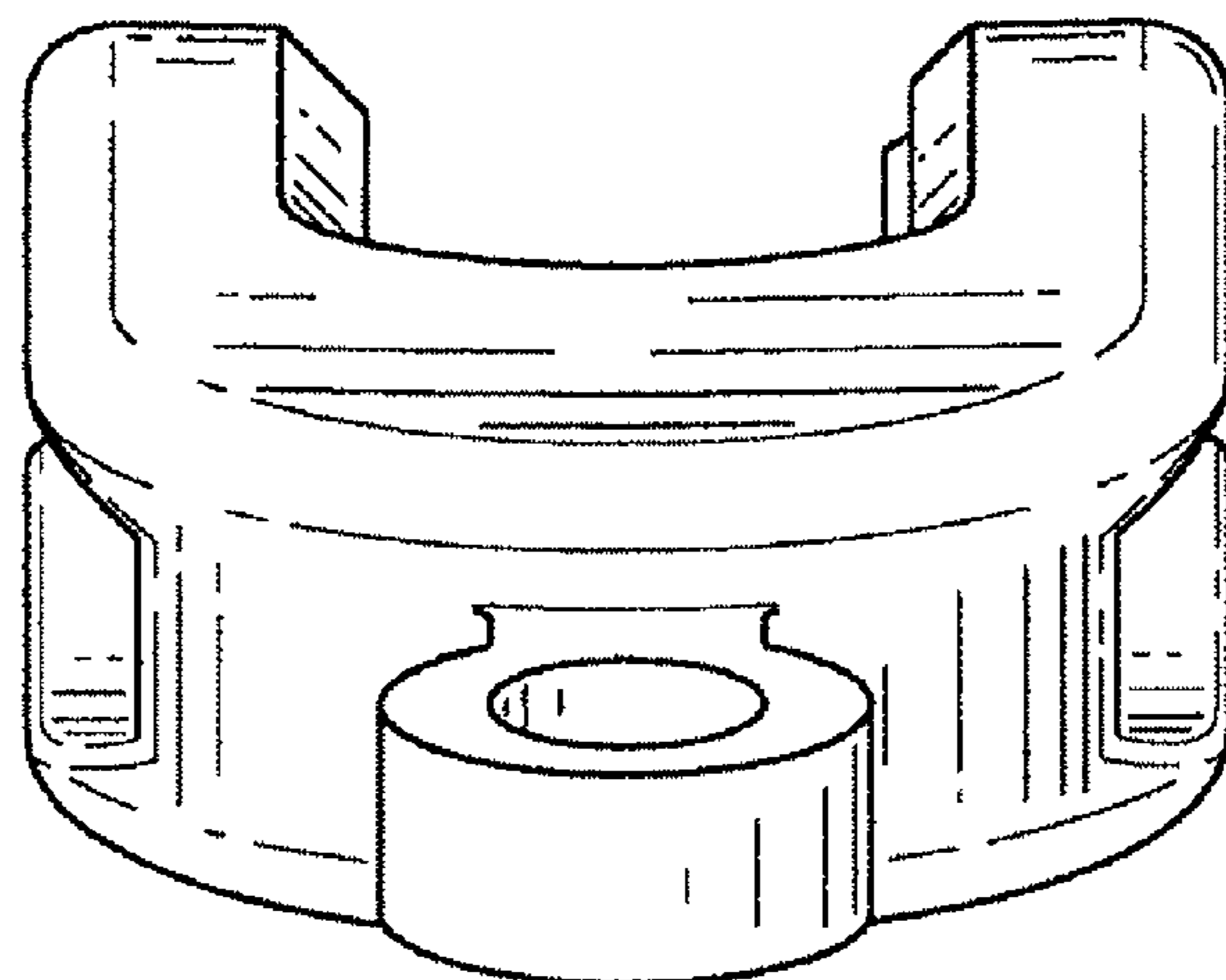
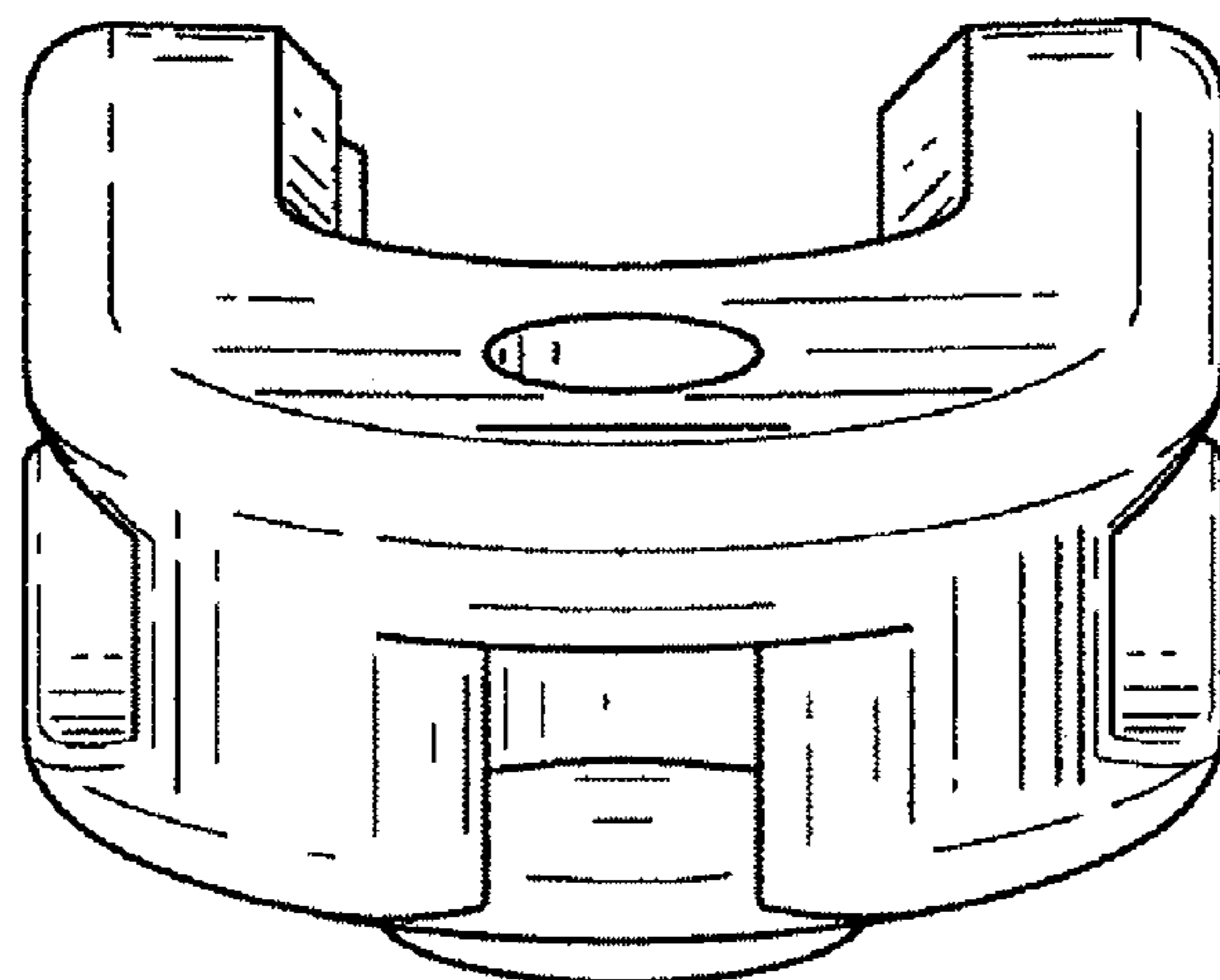


FIG. 5



**FIG. 6**



**FIG. 7**