



US00D641471S

(12) **United States Design Patent**
Zimmer et al.

(10) **Patent No.:** **US D641,471 S**
(45) **Date of Patent:** **** Jul. 12, 2011**

(54) **BIOPSY SITE MARKER**

(56) **References Cited**

(75) Inventors: **Brian S. Zimmer**, Indianapolis, IN (US); **Zachary R. Nicoson**, Indianapolis, IN (US); **Laresha V. Fluker**, Indianapolis, IN (US)

U.S. PATENT DOCUMENTS
6,352,543 B1 * 3/2002 Cole 606/153
7,156,814 B1 * 1/2007 Williamson et al. 600/562
D625,005 S * 10/2010 Zimmer et al. D24/140
2005/0267529 A1 * 12/2005 Crockett et al. 606/215

(73) Assignee: **Hologic, Inc.**, Marlborough, MA (US)

* cited by examiner

(**) Term: **14 Years**

Primary Examiner — Bridget L Eland

(74) *Attorney, Agent, or Firm* — Robert P. Smith

(21) Appl. No.: **29/369,463**

(57) **CLAIM**

The ornamental design for a biopsy site marker, as shown and described.

(22) Filed: **Sep. 9, 2010**

DESCRIPTION

Related U.S. Application Data

(62) Division of application No. 29/343,900, filed on Sep. 21, 2009, now Pat. No. Des. 625,005.

FIG. 1 is a perspective view of a biopsy site marker showing our new design;
FIG. 2 is a right side view of the biopsy site marker of FIG. 1, the left side view is identical;
FIG. 3 is a front end view of the biopsy site marker of FIG. 1, the back end view is identical;
FIG. 4 is a top view of the biopsy site marker of FIG. 1; and,
FIG. 5 is a bottom view of the biopsy site marker of FIG. 1.

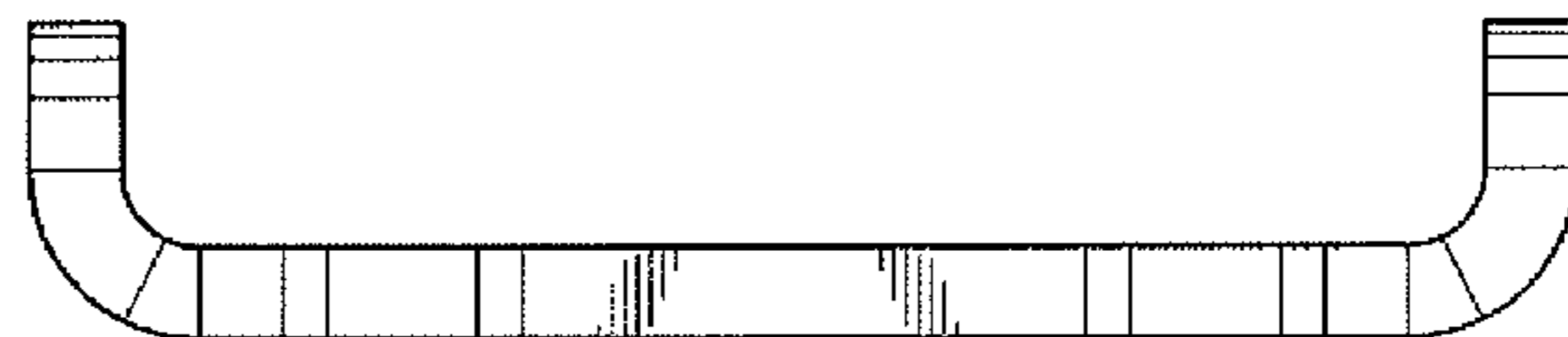
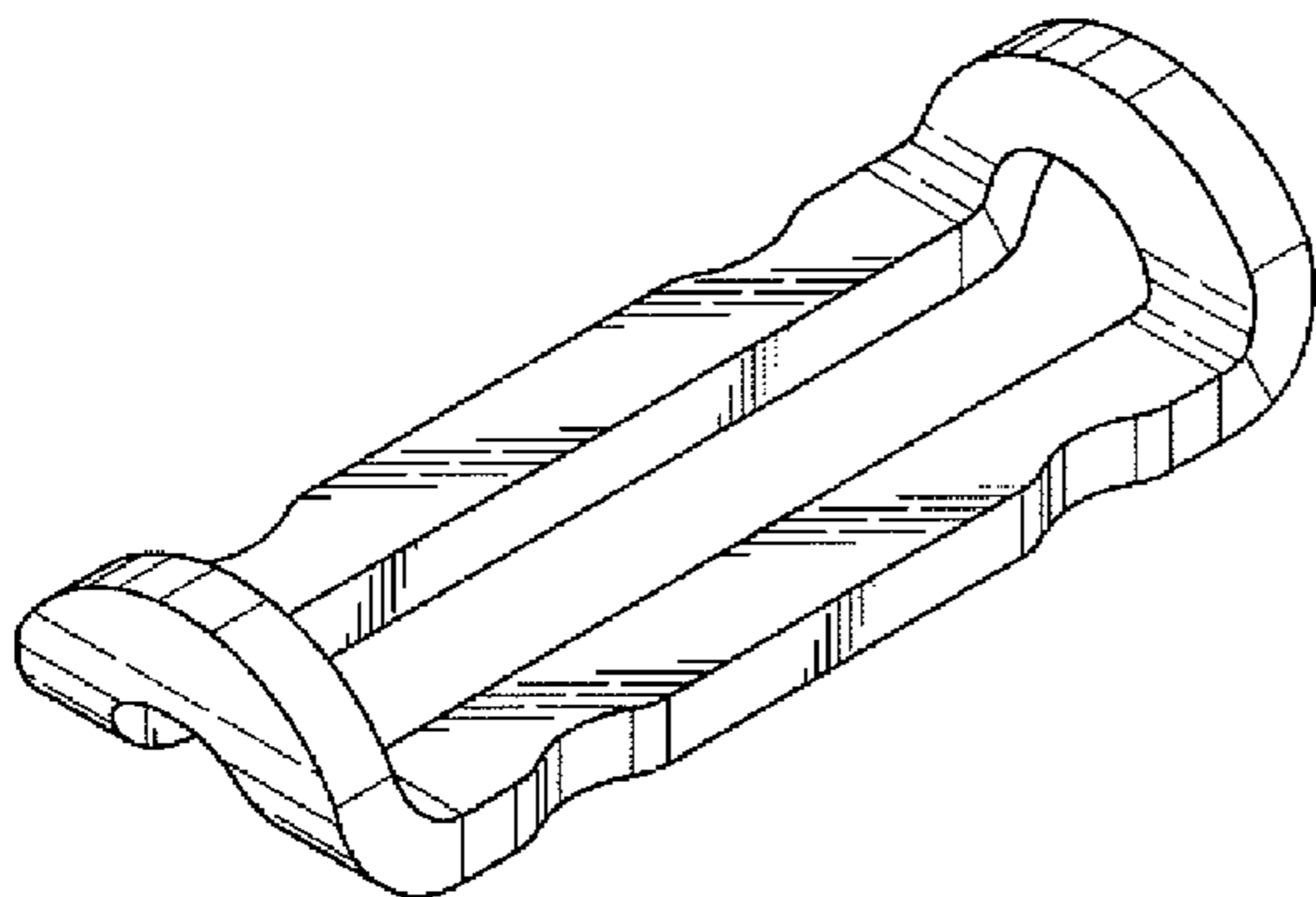
(51) **LOC (9) Cl.** **24-02**

(52) **U.S. Cl.** **D24/140**

(58) **Field of Classification Search** D24/140, D24/133; 600/562, 424, 431

See application file for complete search history.

1 Claim, 1 Drawing Sheet



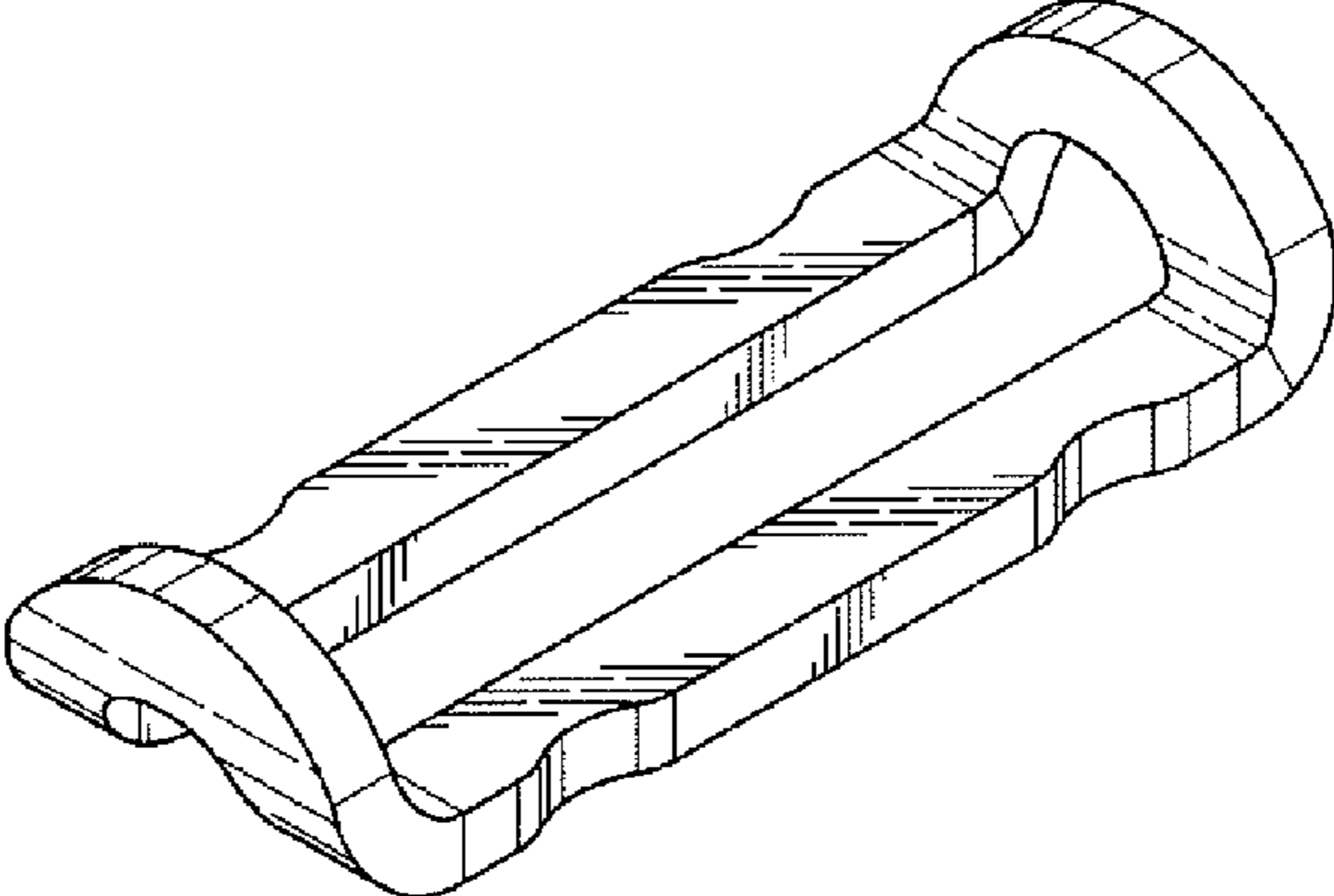


FIG. 1

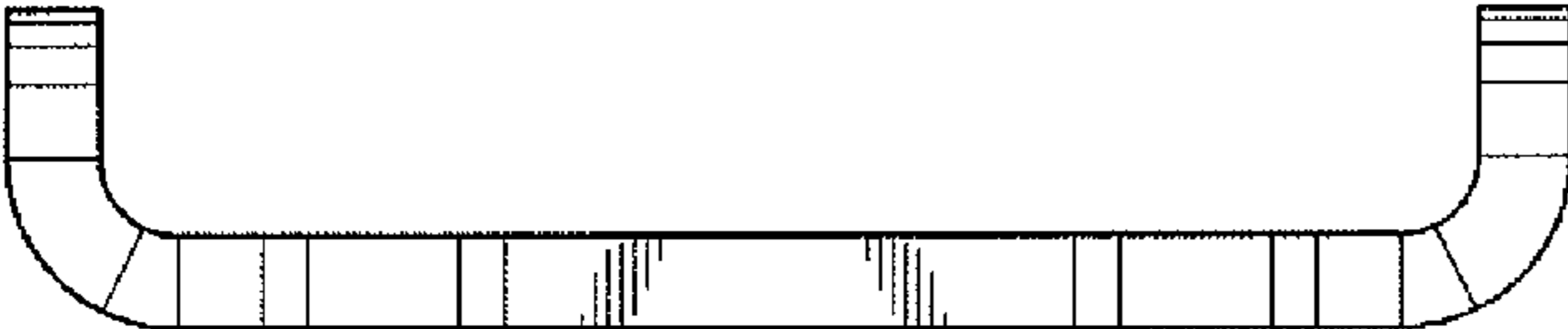


FIG. 2

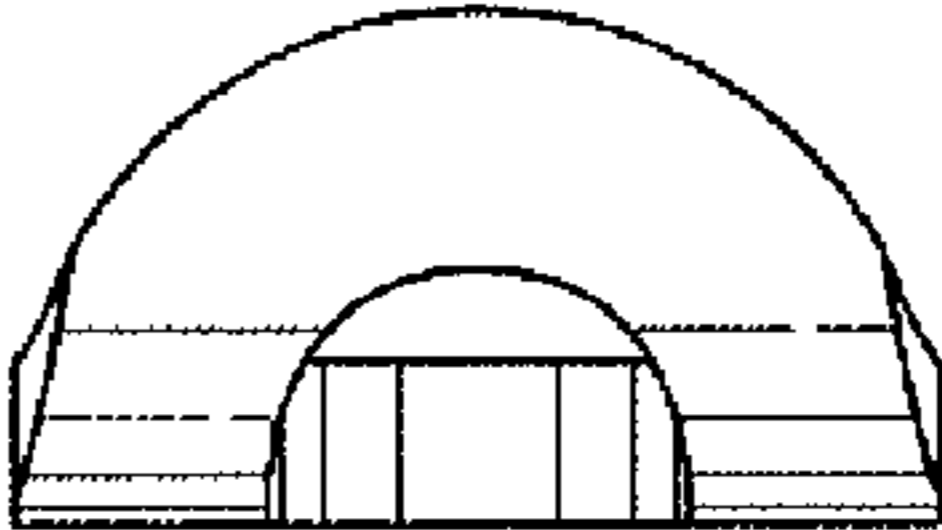


FIG. 3

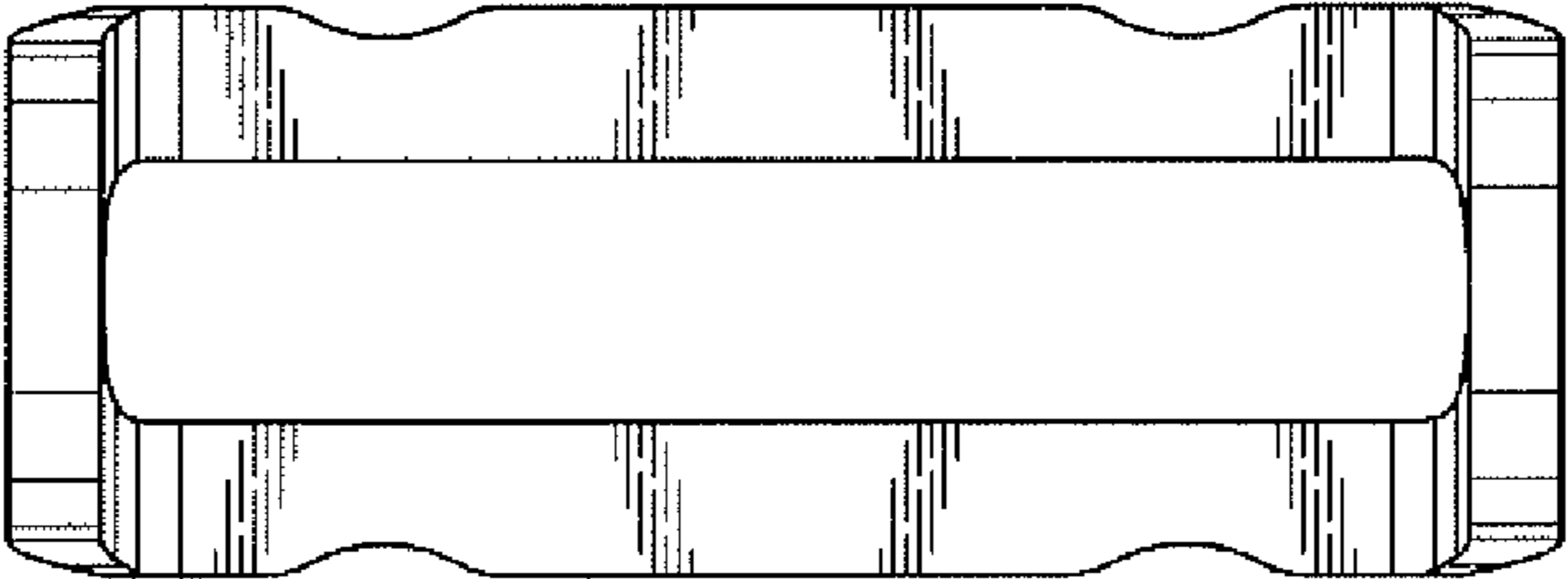


FIG. 4

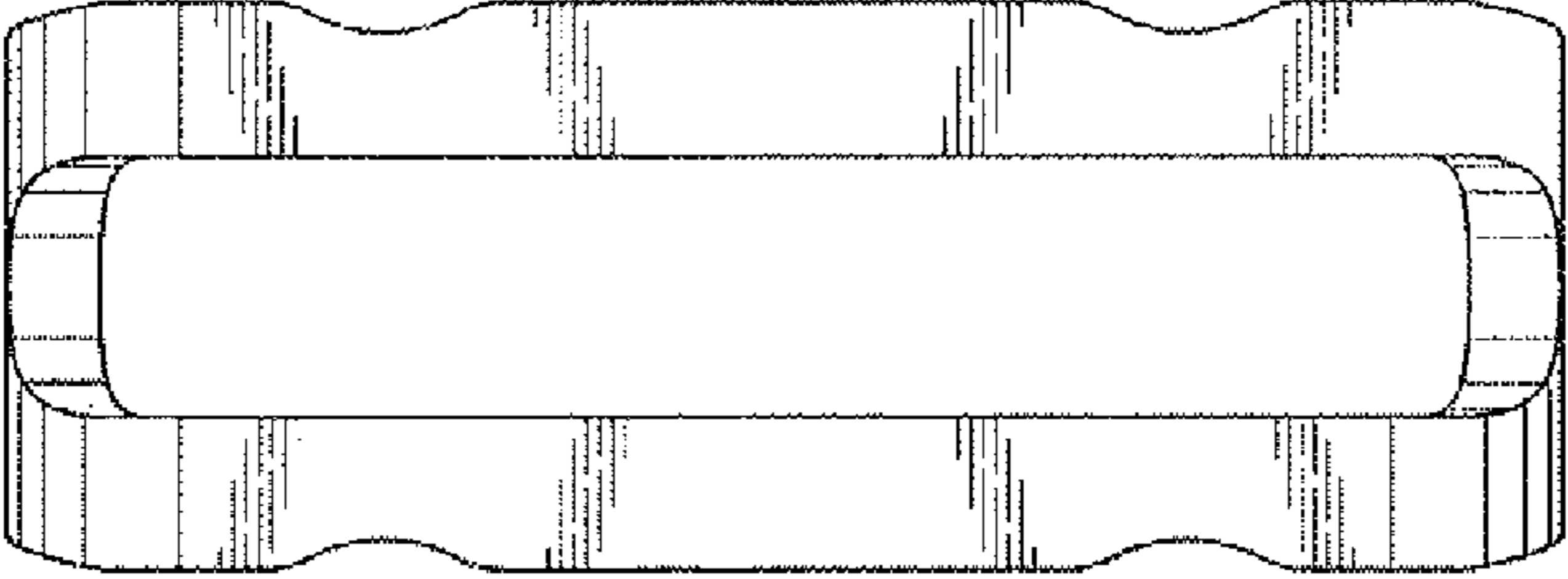


FIG. 5