



US00D641470S

(12) **United States Design Patent**
Hayamizu

(10) **Patent No.:** **US D641,470 S**

(45) **Date of Patent:** **** Jul. 12, 2011**

(54) **ENDOSCOPE**

(75) Inventor: **Eiji Hayamizu**, Tokyo (JP)

(73) Assignee: **Hoya Corporation**, Tokyo (JP)

(**) Term: **14 Years**

(21) Appl. No.: **29/376,533**

(22) Filed: **Oct. 8, 2010**

(30) **Foreign Application Priority Data**

Apr. 12, 2010 (JP) 2010-009289

(51) **LOC (9) Cl.** **24-02**

(52) **U.S. Cl.** **D24/138**

(58) **Field of Classification Search** D24/138,
D24/137, 133; 600/101, 131
See application file for complete search history.

(56) **References Cited**

U.S. PATENT DOCUMENTS

4,416,268	A *	11/1983	Hagino	600/132
D277,405	S *	1/1985	Imada	D24/138
D277,406	S *	1/1985	Imada	D24/138
D277,407	S *	1/1985	Imada	D24/138
D277,505	S *	2/1985	Kubokawa et al.	D24/138
5,545,121	A *	8/1996	Yabe et al.	600/121
5,630,787	A *	5/1997	Yabe et al.	600/121
D481,124	S *	10/2003	Hayamizu	D24/138
D481,126	S *	10/2003	Hayamizu	D24/138
D486,910	S *	2/2004	Hayamizu et al.	D24/138

D493,529	S *	7/2004	Hayamizu et al.	D24/138
D498,846	S *	11/2004	Hayamizu et al.	D24/138
2004/0176660	A1 *	9/2004	Abe	600/101

FOREIGN PATENT DOCUMENTS

JP 1167992 S 3/2003

OTHER PUBLICATIONS

Pentax 90i-Flex Scopes Specification Sheet; Pentax of America, Inc.; 2008/2009, 17 pages in total.

* cited by examiner

Primary Examiner — Bridget L Eland

(74) *Attorney, Agent, or Firm* — Sughrue Mion, PLLC

(57) **CLAIM**

The ornamental design for the endoscope, as shown and described.

DESCRIPTION

FIG. 1 is a perspective view of an endoscope showing my new design;

FIG. 2 is a front view thereof;

FIG. 3 is a rear view thereof;

FIG. 4 is a top plan view thereof;

FIG. 5 is a bottom view thereof;

FIG. 6 is a left side view thereof;

FIG. 7 is a right side view thereof; and,

FIG. 8 is a front view thereof, shown in an in-use state.

The imaginary line created by drawing a straight line from the end points of the solid lines that are adjacent to the dot-dash broken lines is the boundary of the claimed design while all other broken lines are directed to environment and are for illustrative purposes only; the broken lines form no part of the claimed design.

1 Claim, 8 Drawing Sheets

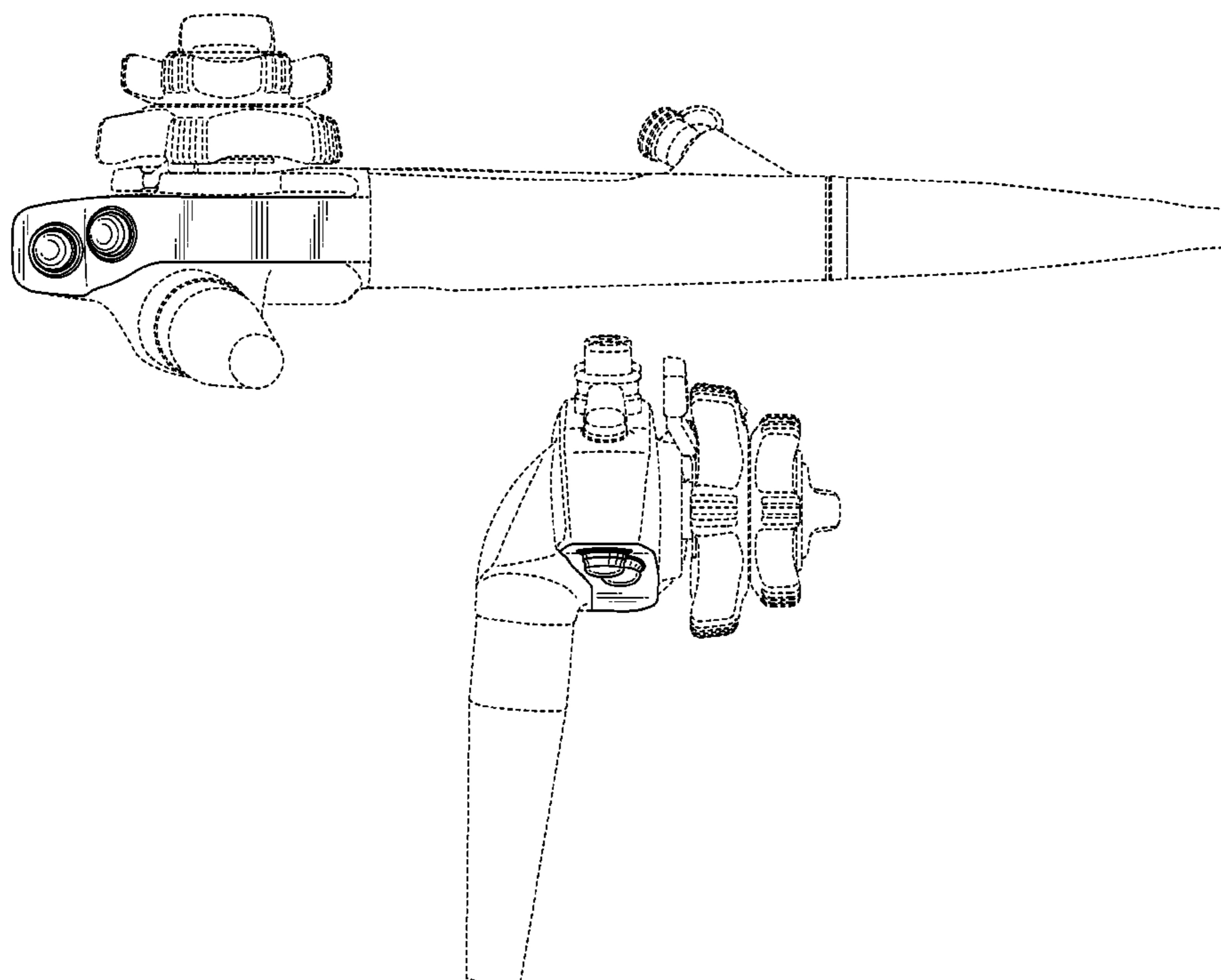


FIG.1

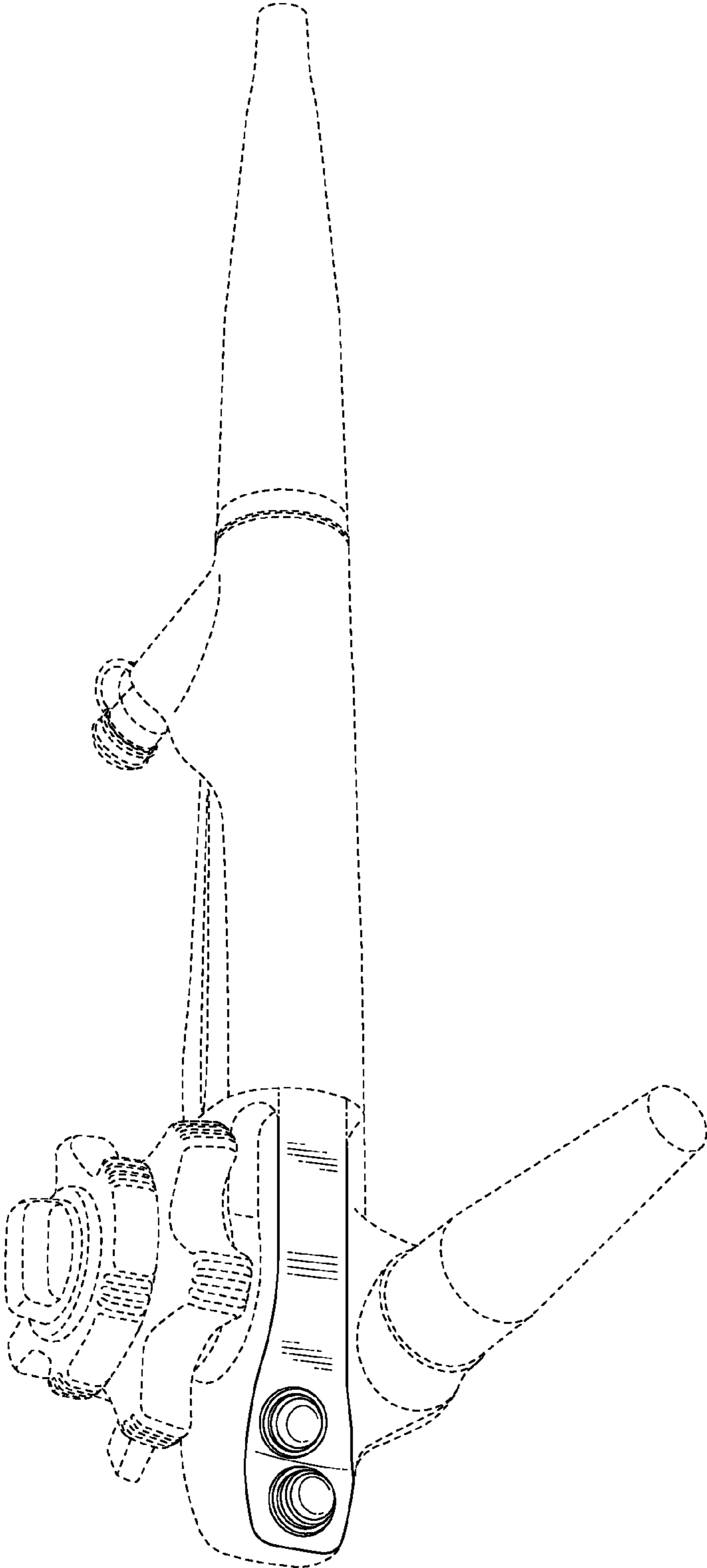


FIG.2

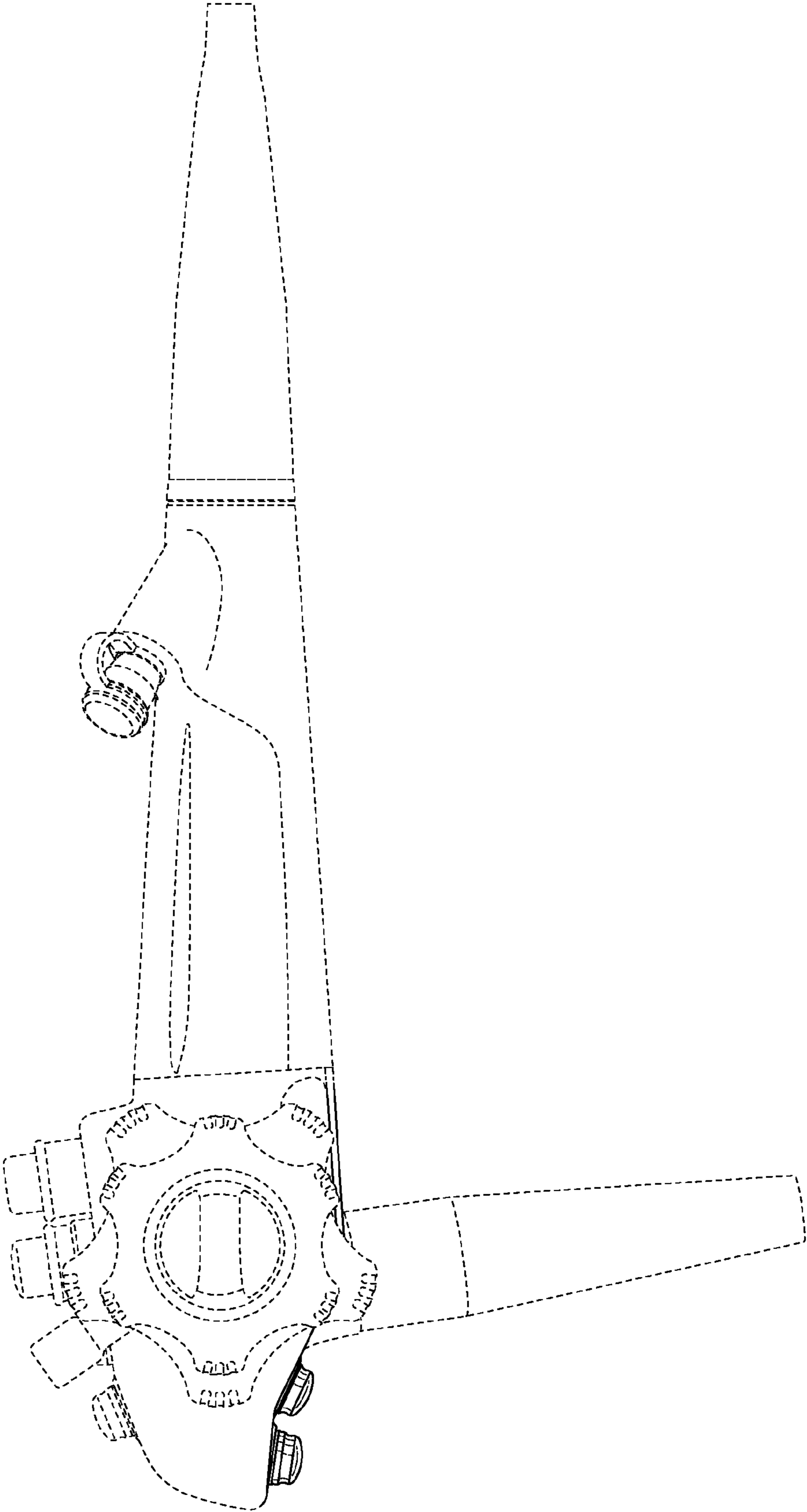


FIG.3

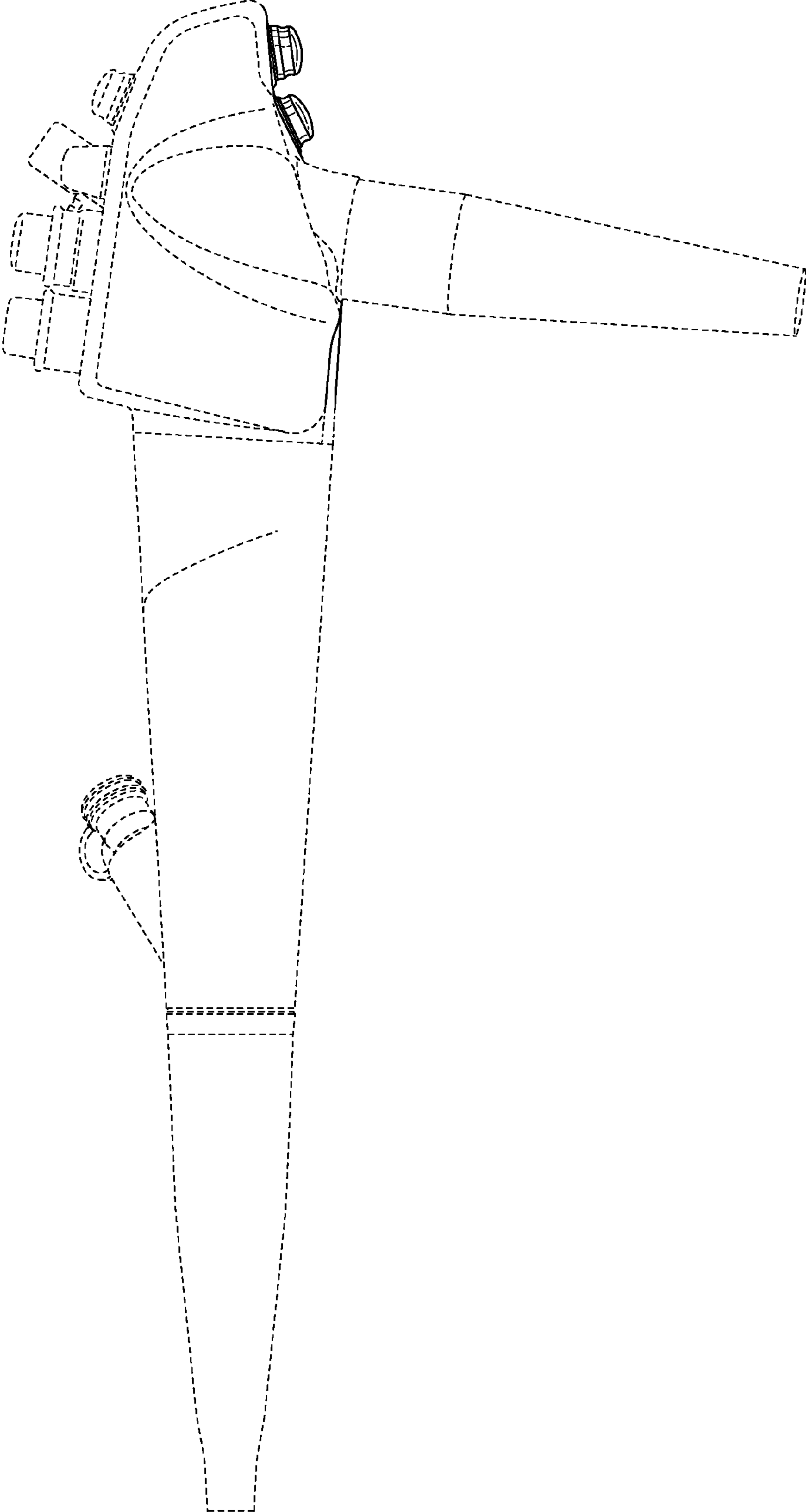


FIG.4

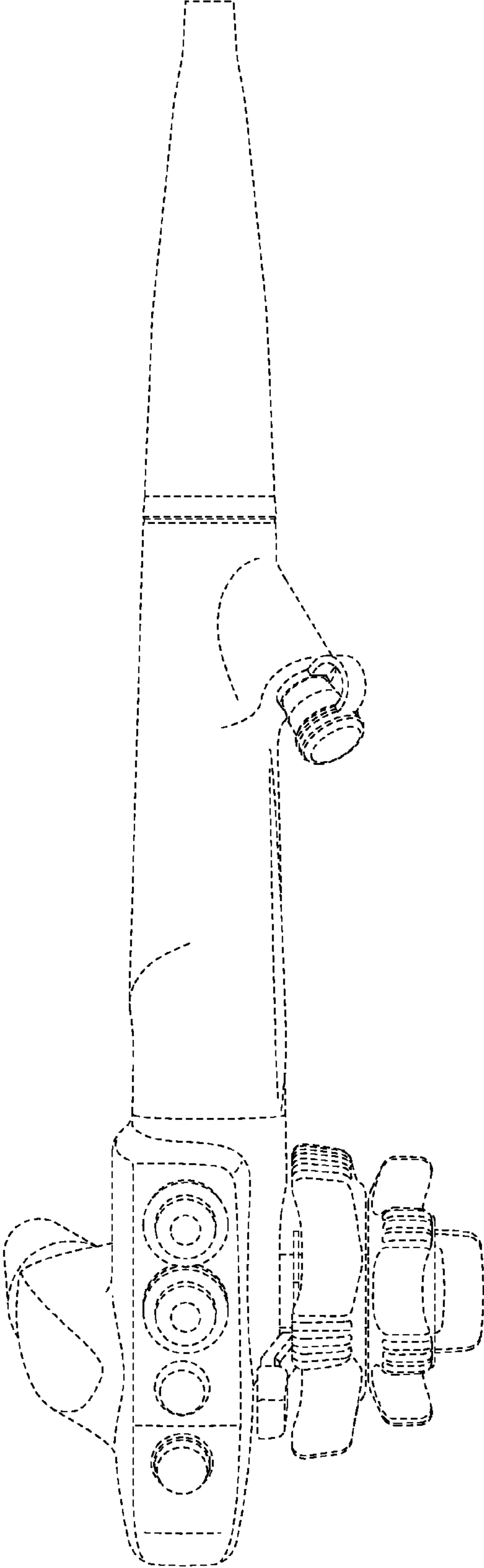


FIG.5

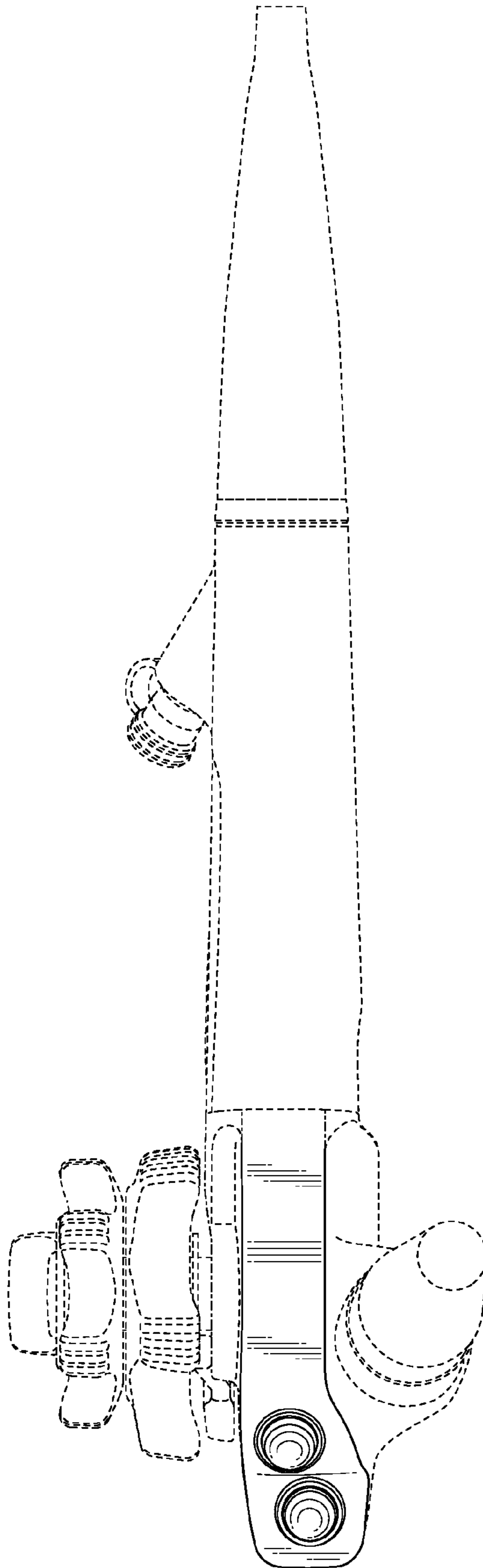


FIG.6

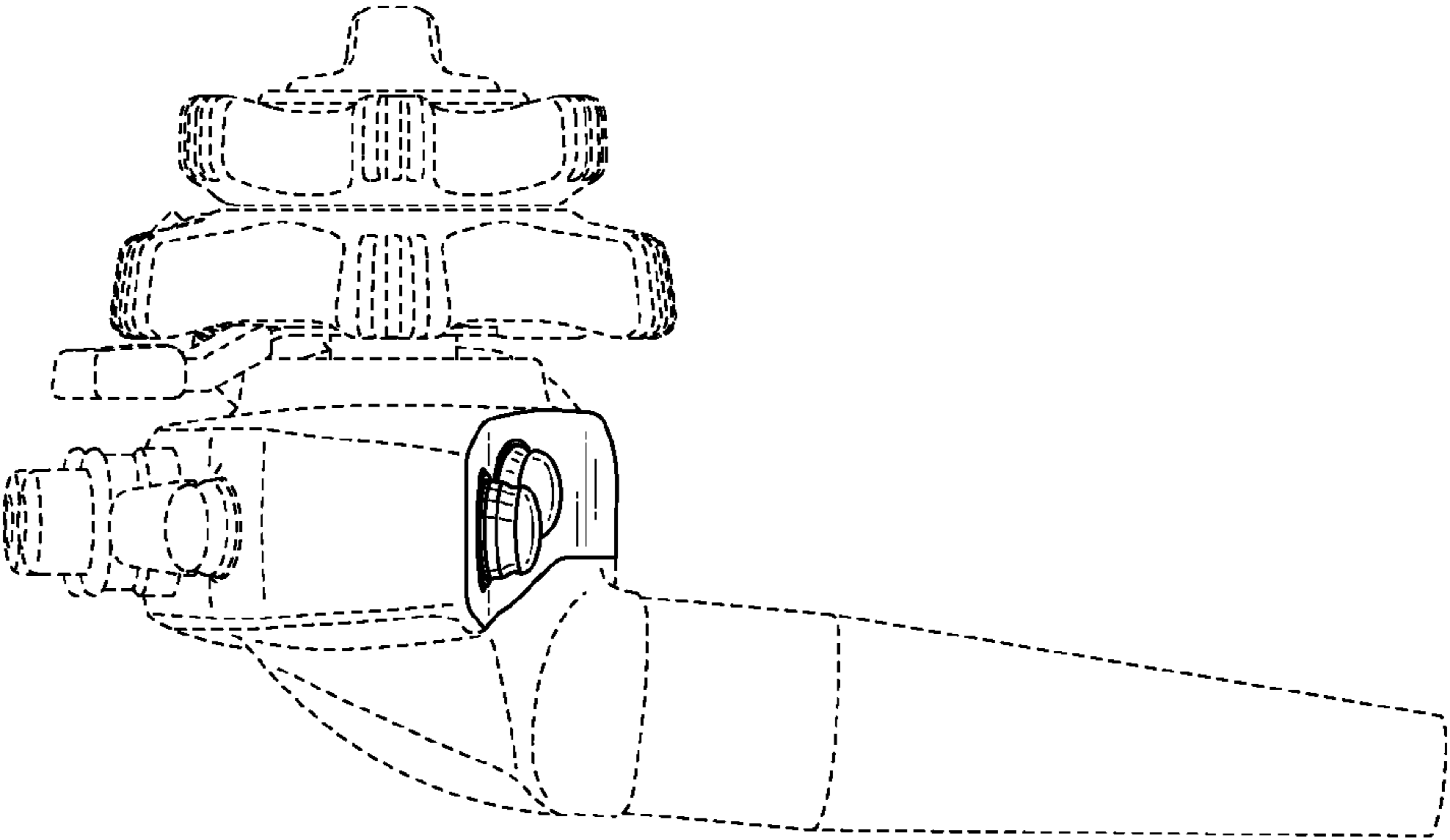


FIG. 7

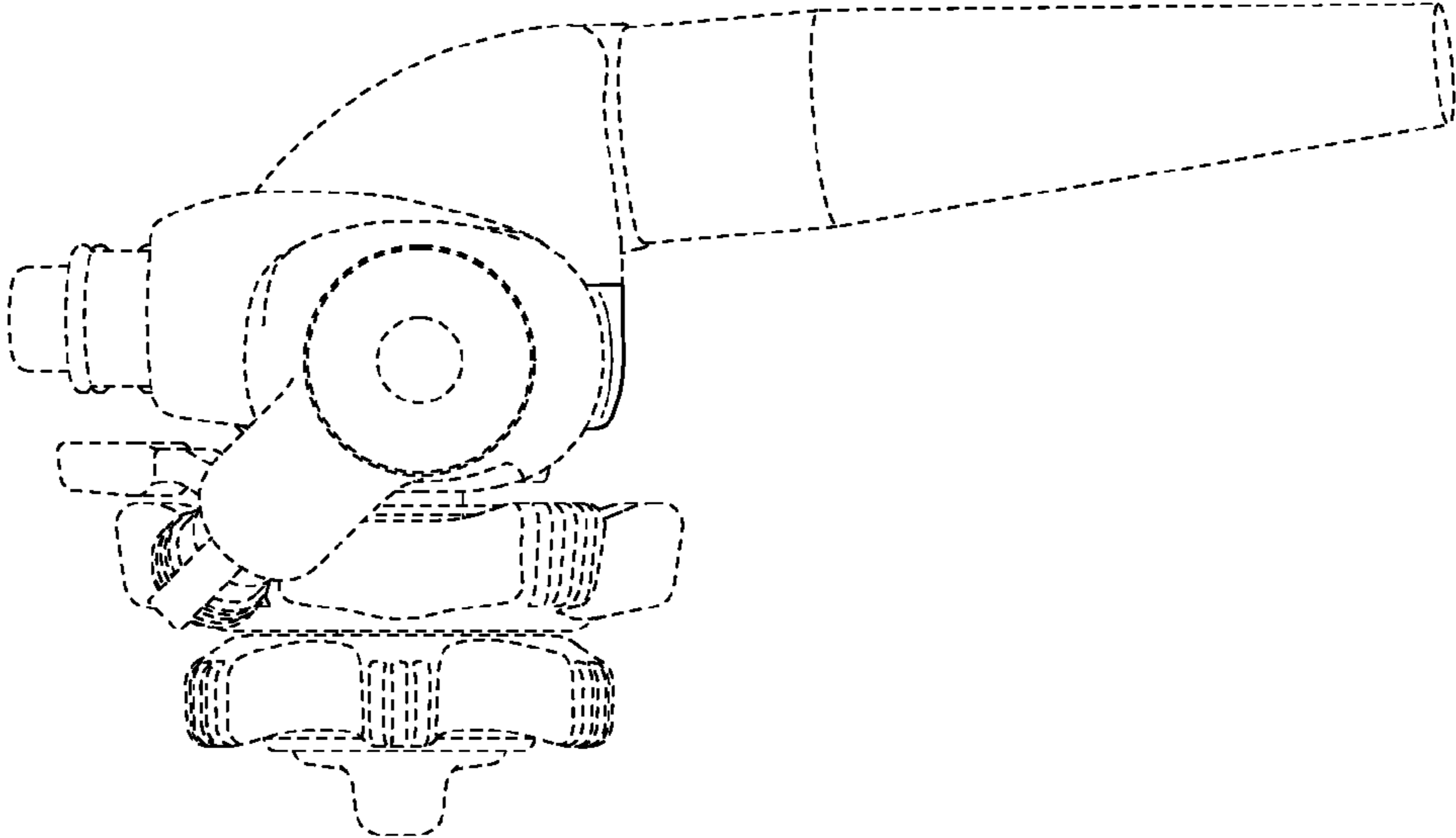


FIG.8

