



US00D641469S

(12) **United States Design Patent**
Ruiz, Sr. et al.

(10) **Patent No.:** **US D641,469 S**
(45) **Date of Patent:** **** Jul. 12, 2011**

(54) **DISPENSING APPLICATOR WITH A RIDGED MIDDLE**

(75) Inventors: **Rafael Ruiz, Sr.**, Hudson, NC (US);
Sheng Zhang, Granite Falls, NC (US);
Martin Krauss, Fort Myers, FL (US)

(73) Assignee: **Adhezion Biomedical, LLC**,
Wyomissing, PA (US)

(**) Term: **14 Years**

(21) Appl. No.: **29/375,277**

(22) Filed: **Sep. 20, 2010**

(51) **LOC (9) Cl.** **24-02**

(52) **U.S. Cl.** **D24/133; D9/723**

(58) **Field of Classification Search** D24/133,
D24/112, 119, 207; D19/66; D9/723-729,
D9/695-697, 730, 732, 733; 239/591, 593;
602/901; 604/1; 606/41

See application file for complete search history.

(56) **References Cited**

U.S. PATENT DOCUMENTS

D274,697	S	*	7/1984	Venne	D9/725
D300,118	S	*	3/1989	Venne et al.	D19/48
4,844,250	A	*	7/1989	Holoubek et al.	222/107
D307,191	S	*	4/1990	Blutenthal	D28/7
D364,923	S	*	12/1995	Chou	D24/144
D376,204	S	*	12/1996	Huculak et al.	D24/146
D376,422	S	*	12/1996	Bailey	D24/111
D390,117	S	*	2/1998	Kan et al.	D9/529
D414,688	S	*	10/1999	Loeb et al.	D9/697
D418,246	S	*	12/1999	Turri	D28/7
D429,847	S	*	8/2000	Lang	D28/7
D430,298	S	*	8/2000	Holms	D24/152
D441,447	S	*	5/2001	Hjertman et al.	D24/150
D443,930	S	*	6/2001	Nestenborg	D24/141

6,981,664	B1	*	1/2006	Fugere	239/591
D540,470	S	*	4/2007	Boone et al.	D24/133
D543,469	S	*	5/2007	Py et al.	D9/724
D550,283	S	*	9/2007	Koreska	D19/66
D559,385	S	*	1/2008	Boone et al.	D24/133
D561,046	S	*	2/2008	Kerman	D9/697
D570,708	S	*	6/2008	Kerman	D9/697
D599,014	S	*	8/2009	Boone et al.	D24/133
7,785,026	B2	*	8/2010	Eng et al.	401/37
2008/0033280	A1	*	2/2008	Lubbock et al.	600/414
2010/0274258	A1	*	10/2010	Silvestrini et al.	606/108
2011/0028883	A1	*	2/2011	Juan et al.	604/8

* cited by examiner

Primary Examiner — Bridget Eland

(74) *Attorney, Agent, or Firm* — Stradley Ronon Stevens & Young, LLP

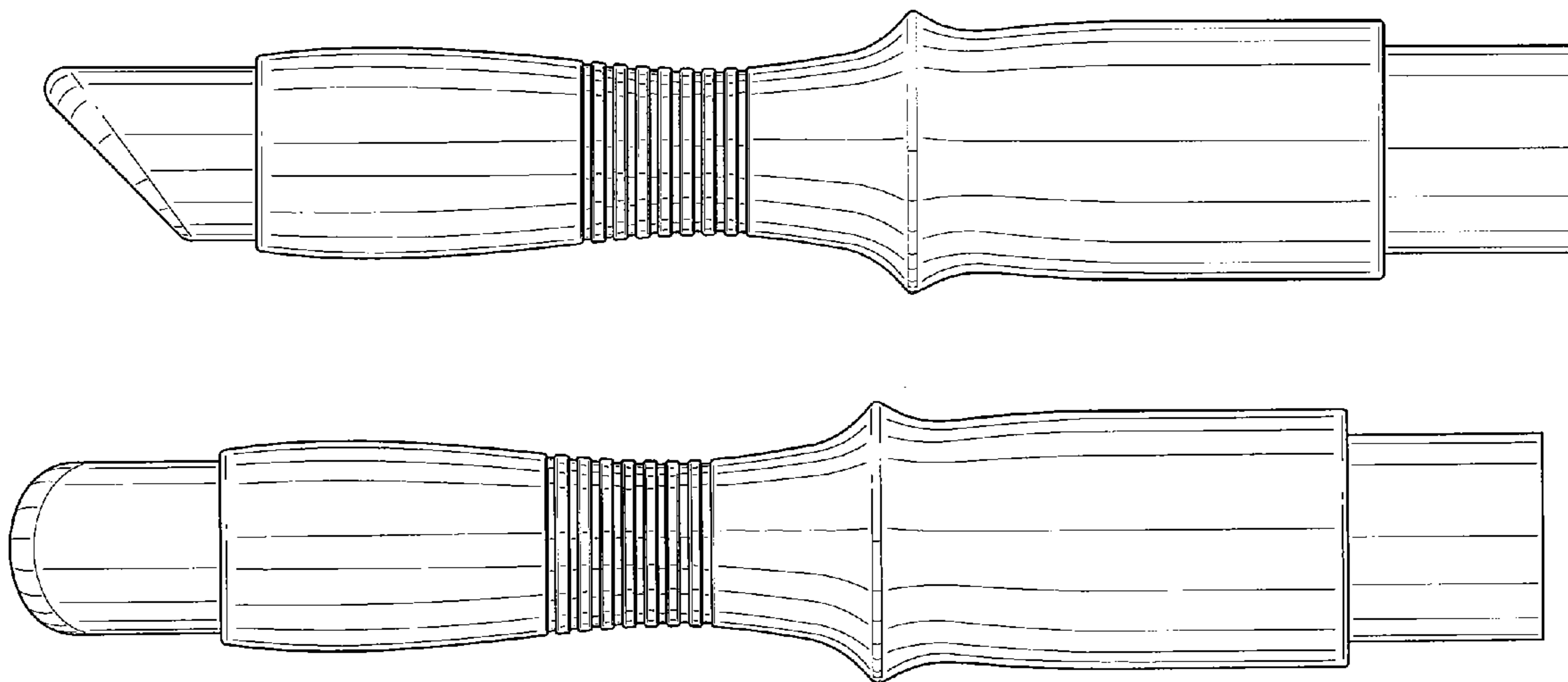
(57) **CLAIM**

The ornamental design for a dispensing applicator with a ridged middle, substantially as shown and described.

DESCRIPTION

FIG. 1 is a perspective view of the ornamental design for the dispensing applicator;
 FIG. 2 is a first side view of the ornamental design for the dispensing applicator;
 FIG. 3 is a second side view of the ornamental design for the dispensing applicator;
 FIG. 4 is a top view of the ornamental design for the dispensing applicator;
 FIG. 5 is a bottom view of the ornamental design for the dispensing applicator;
 FIG. 6 is a front view of the ornamental design for the dispensing applicator; and,
 FIG. 7 is a rear view of the ornamental design for the dispensing applicator.

1 Claim, 4 Drawing Sheets



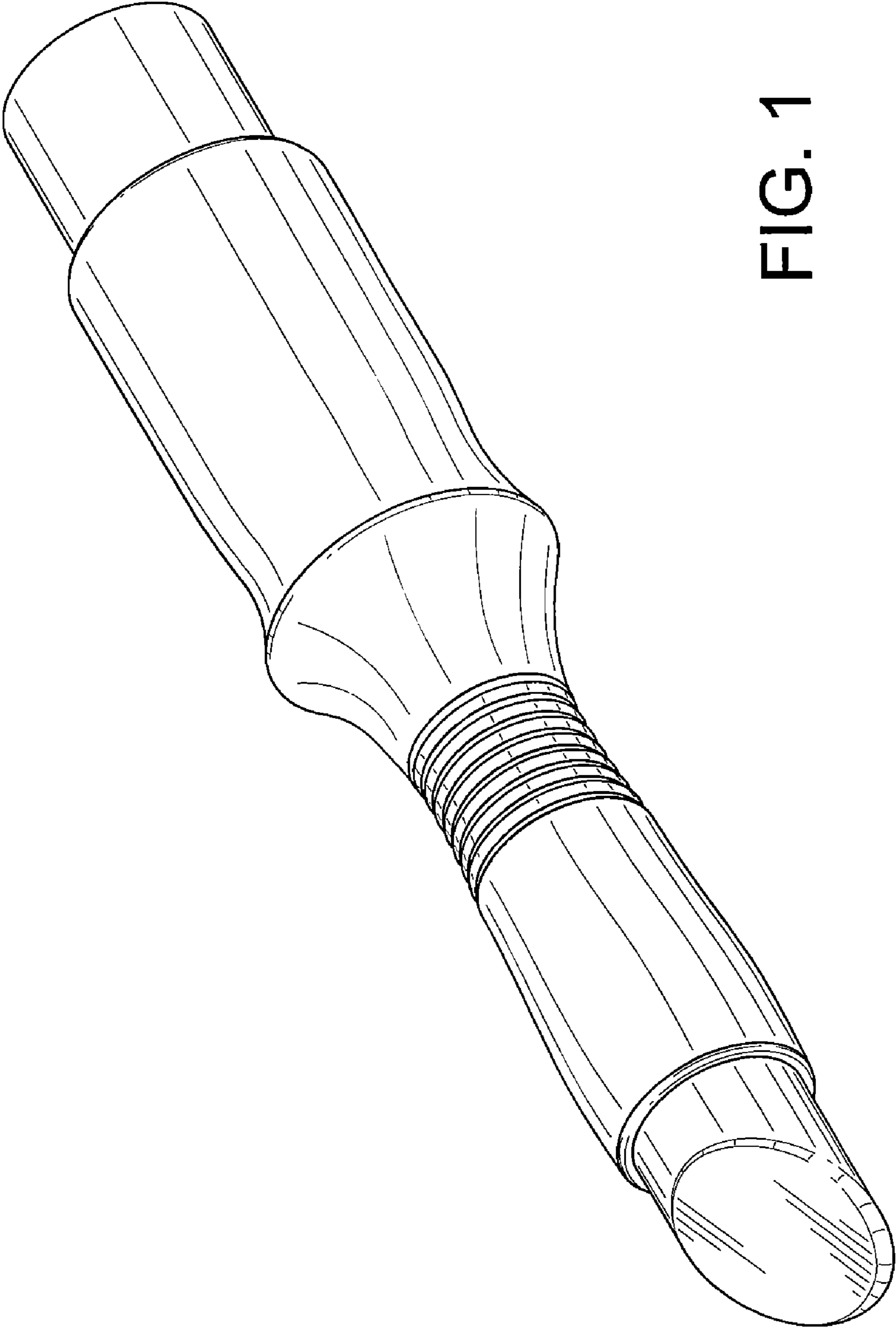


FIG. 1

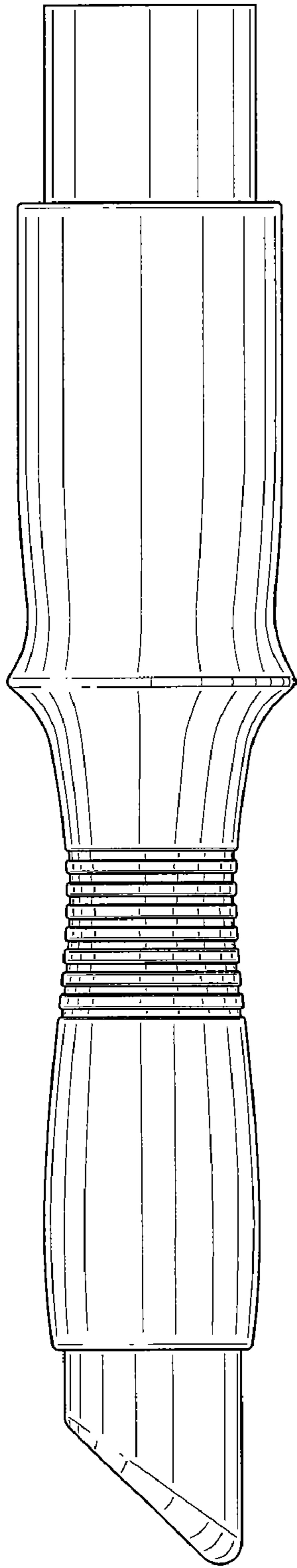


FIG. 2

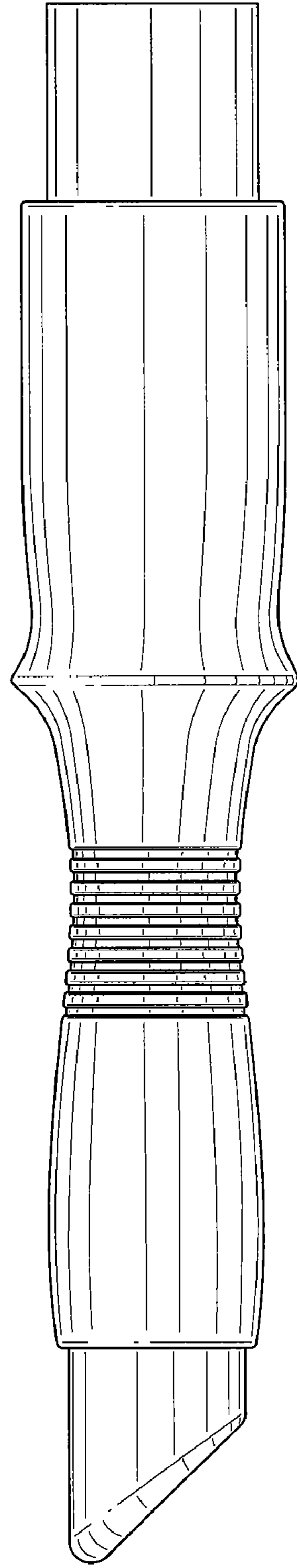


FIG. 3

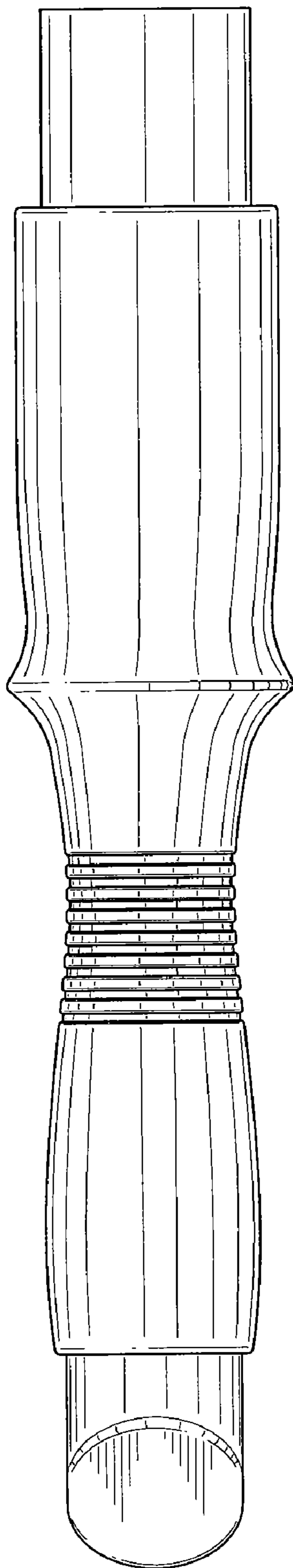


FIG. 4

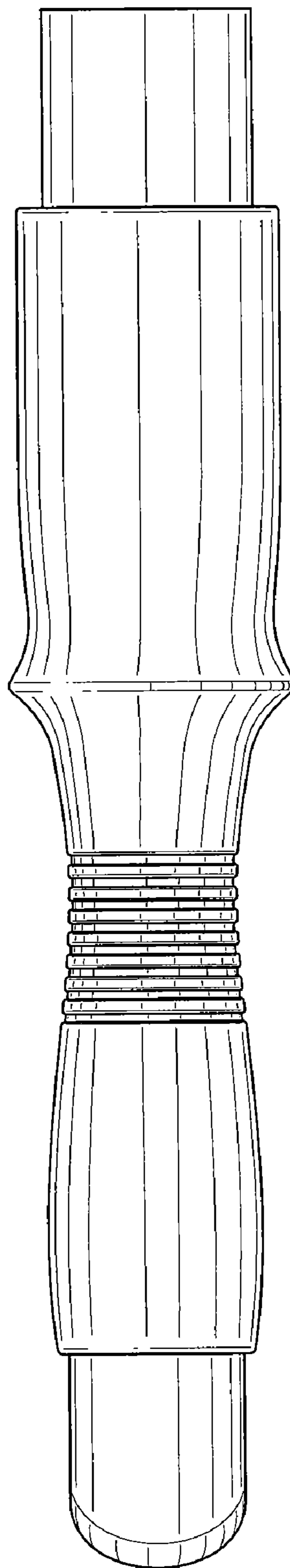


FIG. 5

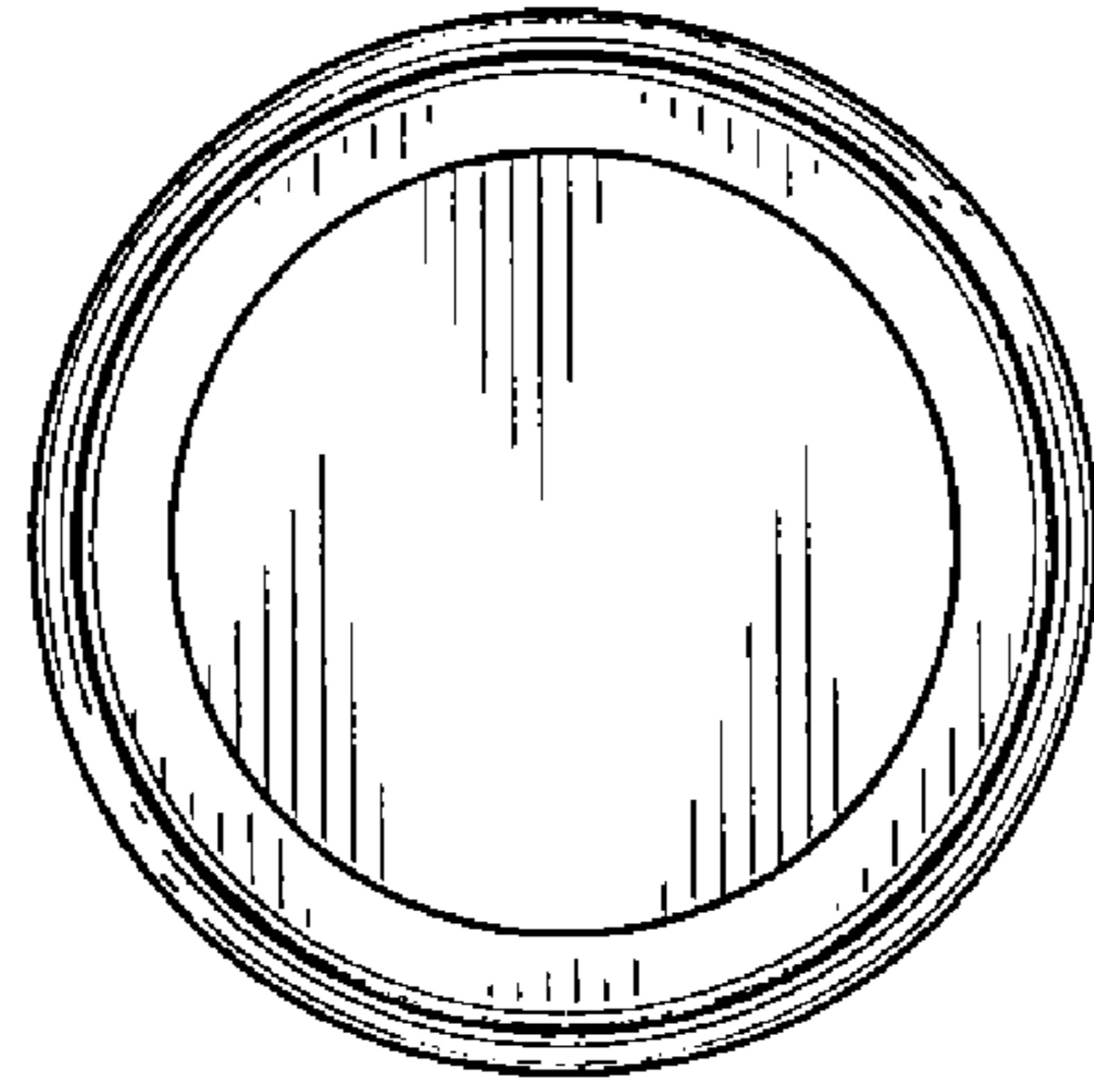


FIG. 7

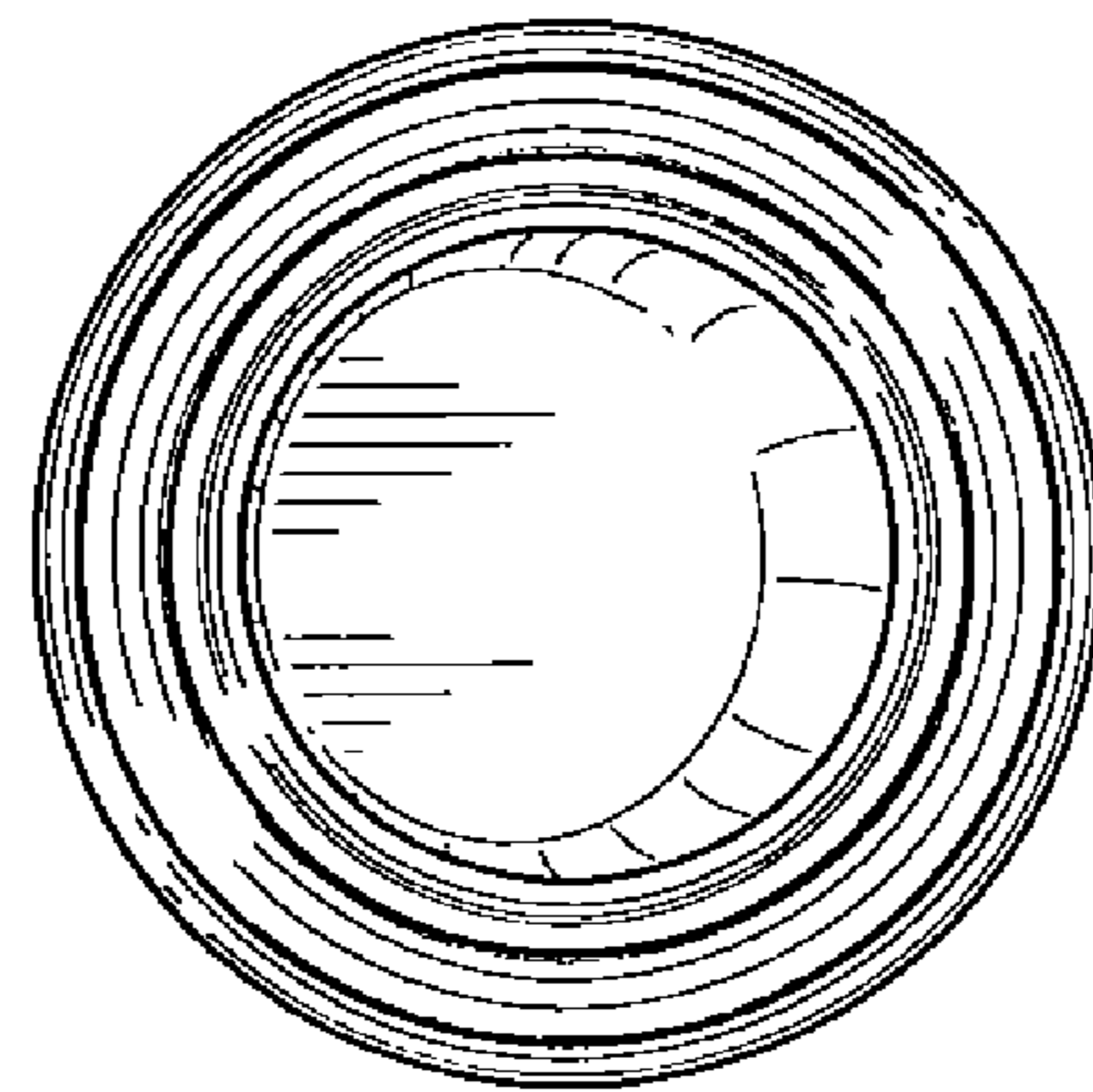


FIG. 6